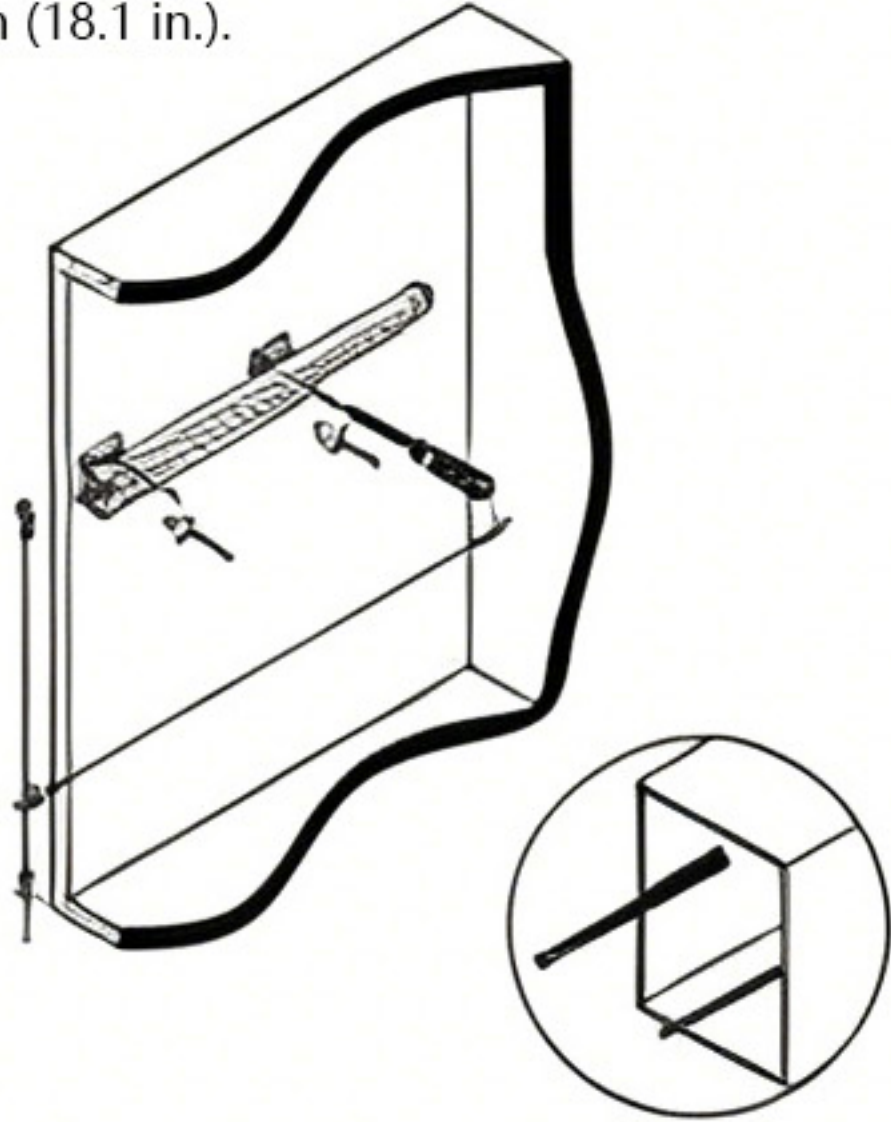
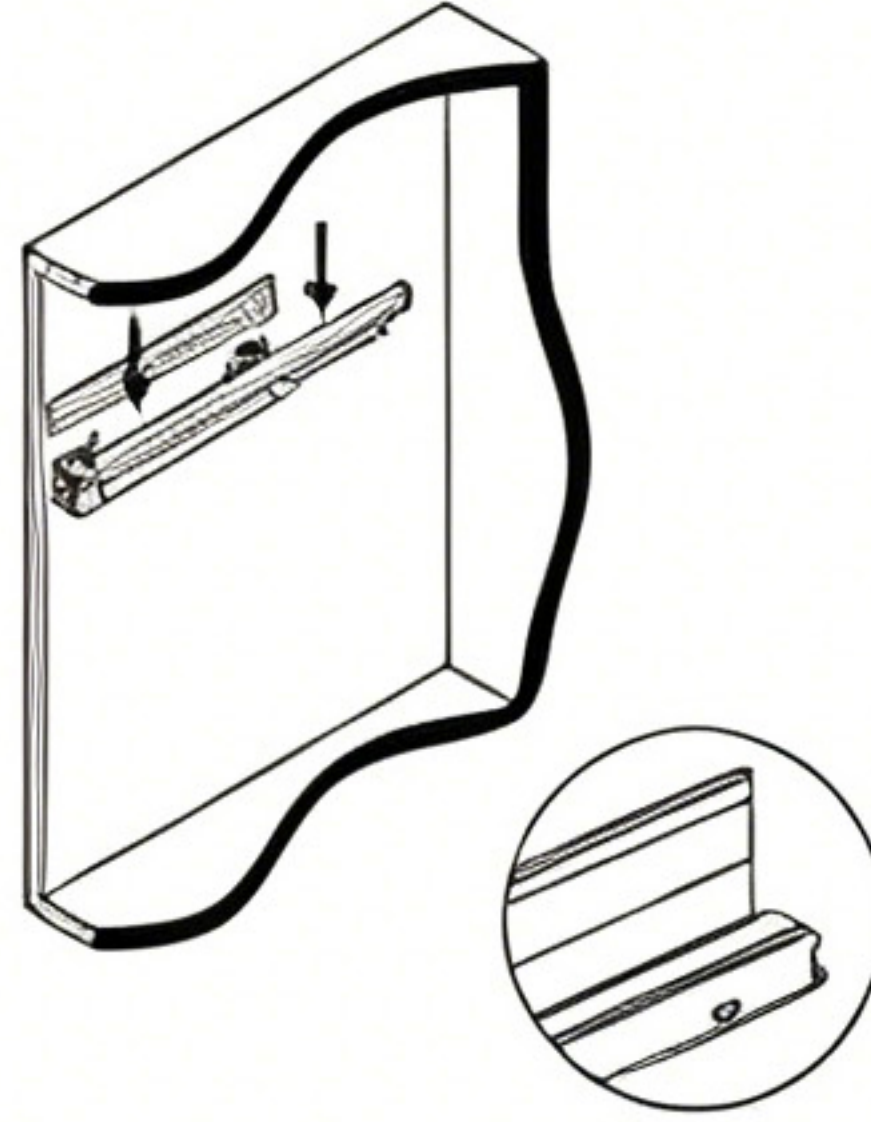


Installation Instructions

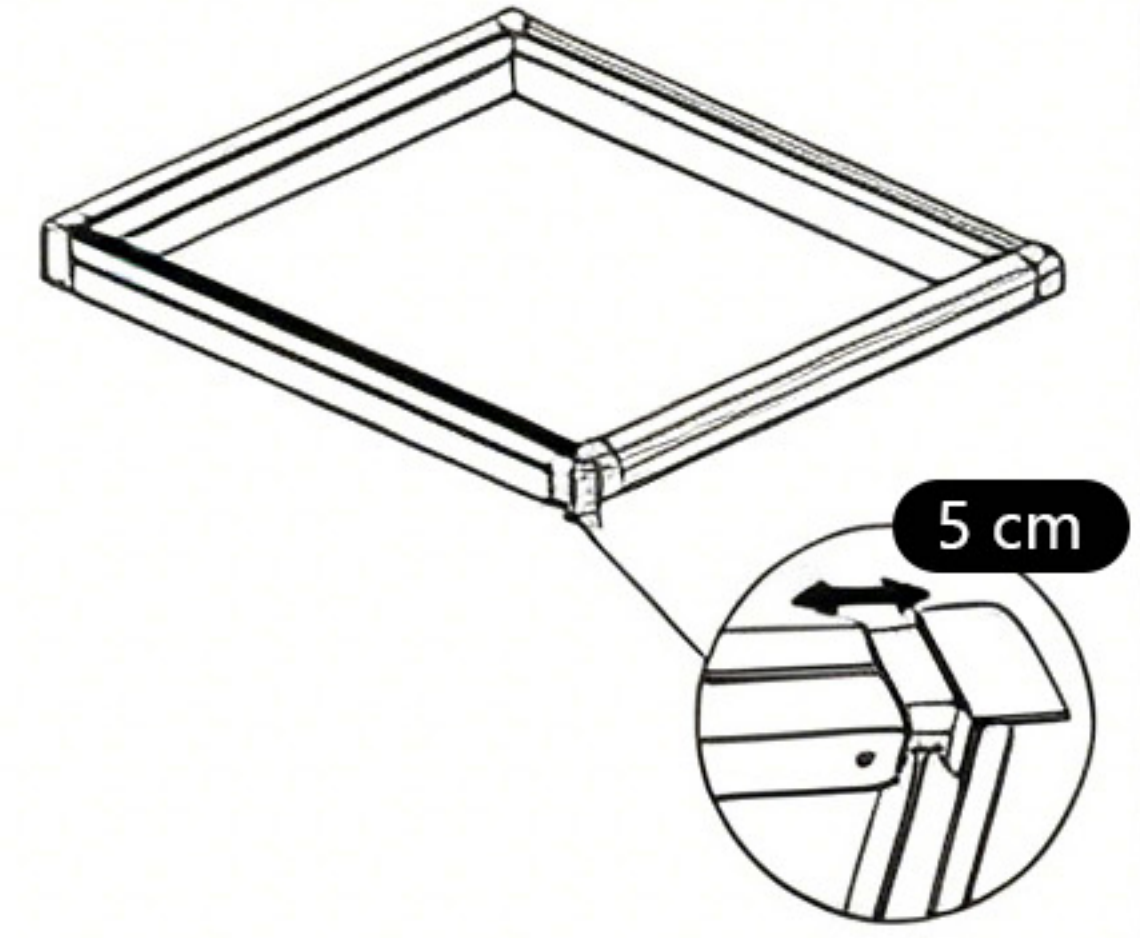
1. Mark the installation positions for the left and right sliding rails, ensuring that both rails are level. Secure the rails to the inside of the cabinet. The cabinet depth should be greater than 46 cm (18.1 in.).



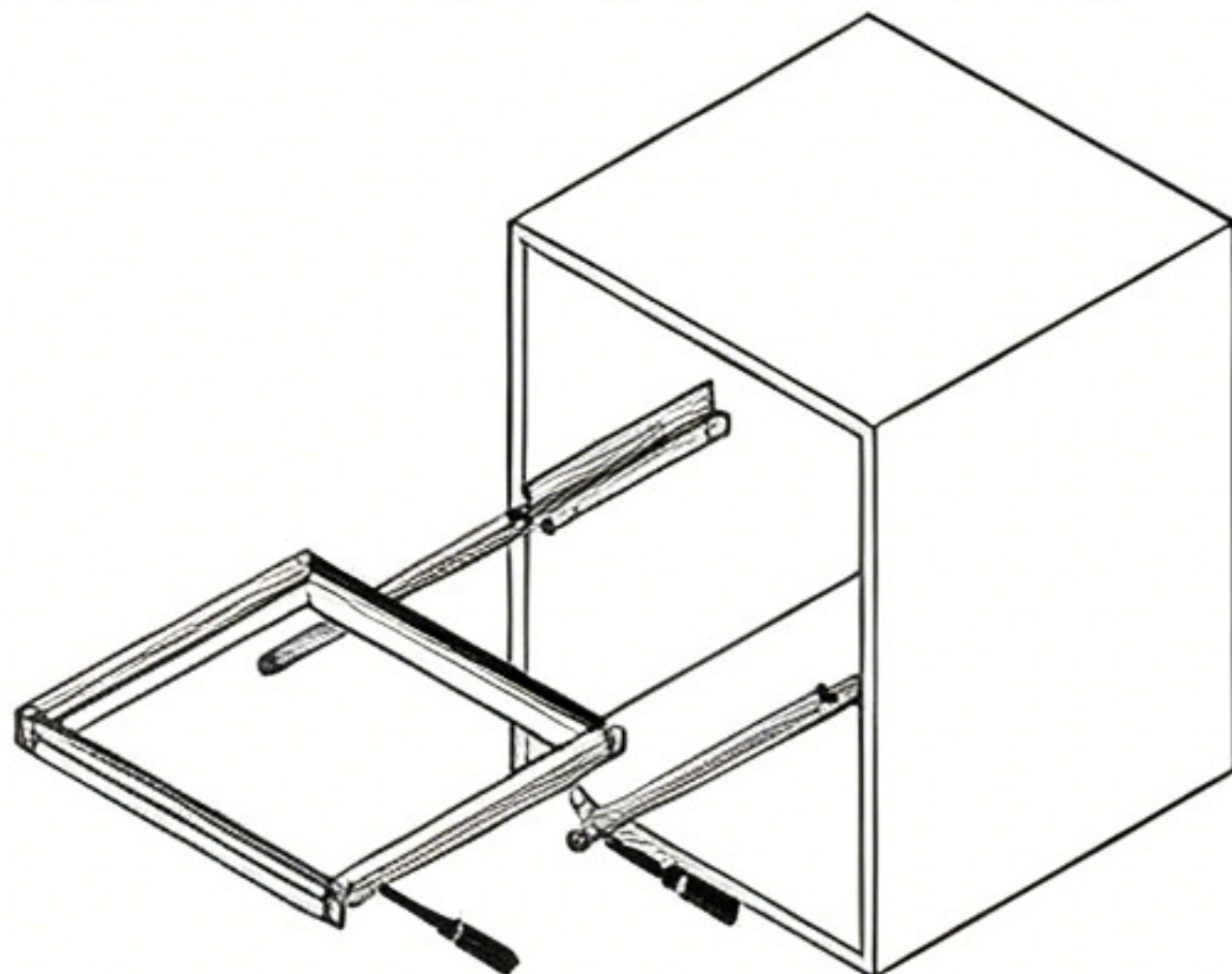
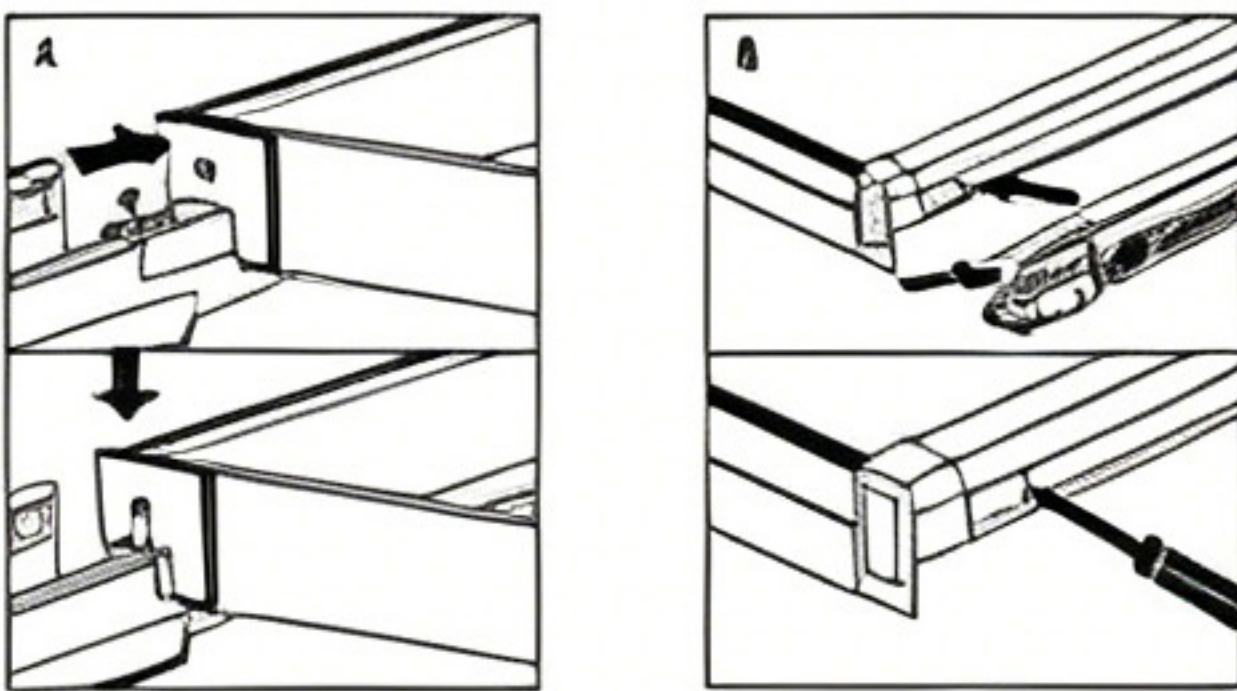
2. After installing the sliding rails, attach the decorative rail covers and secure them with screws.



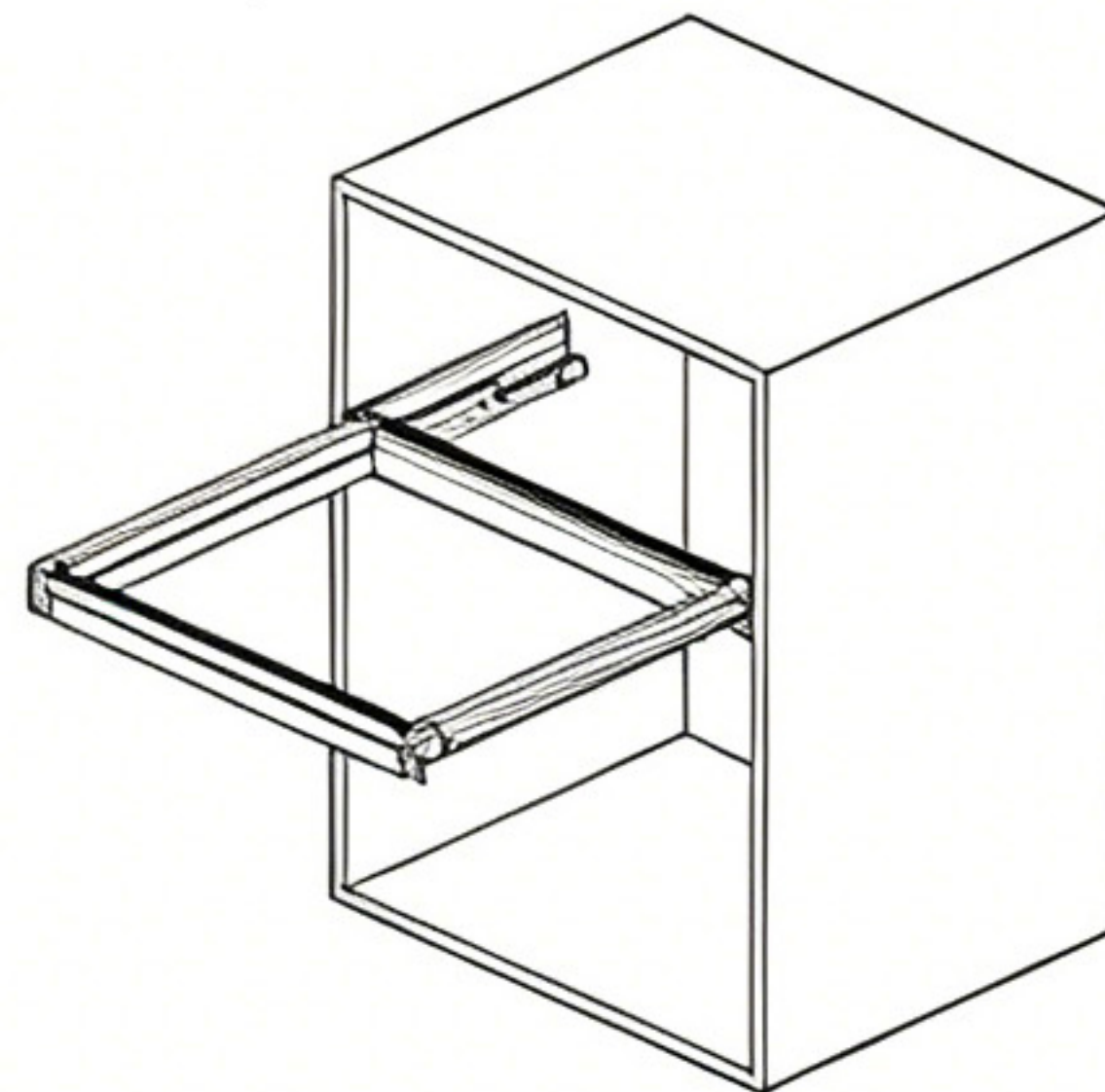
3. Adjust the frame width until it fits smoothly into the left and right guide rails. The frame can be adjusted by up to 5 cm on each side.



4. A. Insert the hook at the end of the sliding rail into the hole on the back of the frame.
B. Align the screw holes on the sides of the sliding rail and the frame. Once aligned, secure them with screws.
Slide the rail back and forth several times to ensure smooth operation and verify that it is installed correctly.



5. Frame installation is complete.



6. Install the components included in your selected kit. The image shown is for reference only; actual components may vary depending on the kit purchased.

