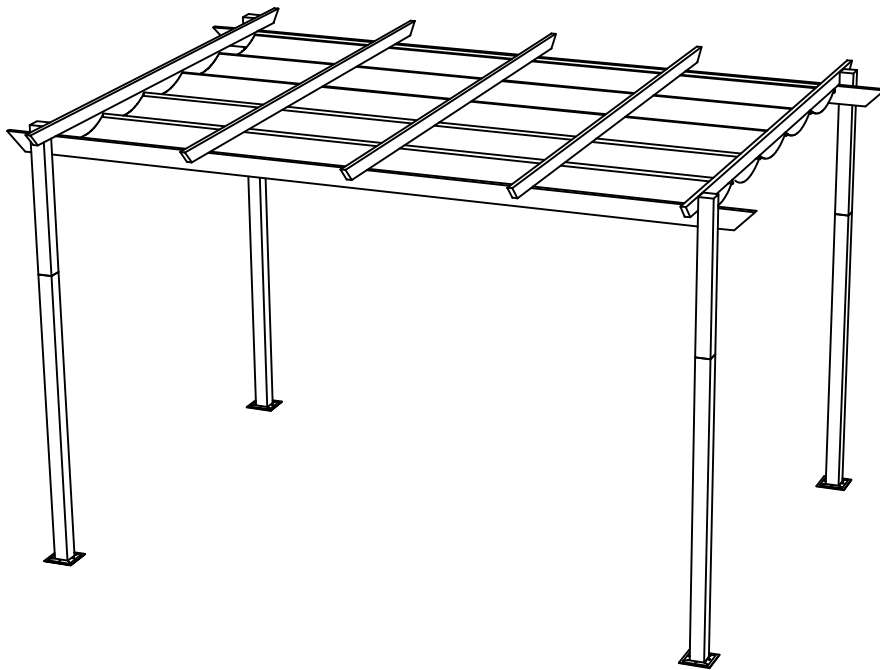


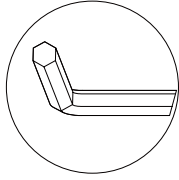
PATIO TREE[®]

Aluminum 10'x13' Pergola Shelter

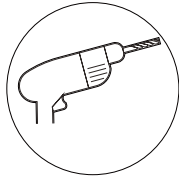


Read the instructions before use of this product.

Please keep this instruction manual for future reference.



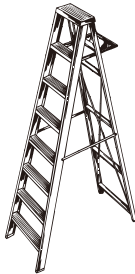
Use the hex keys in the box.



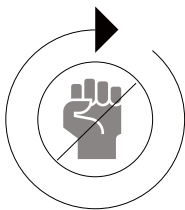
You may need to use a drill for this step.



Three or more people are required at this stage.

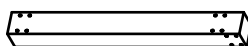

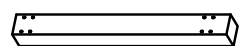

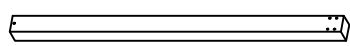







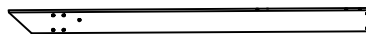
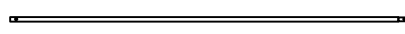
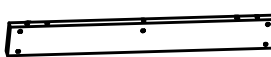
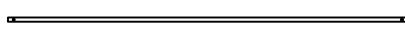

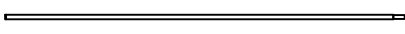

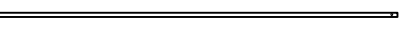
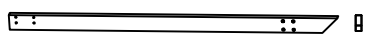
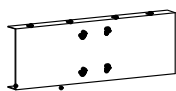


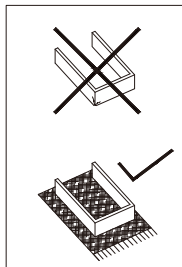
You may need a ladder.

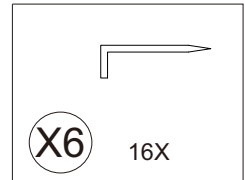
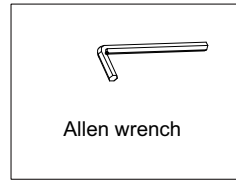
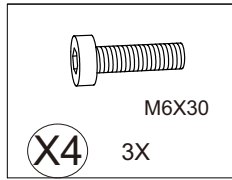
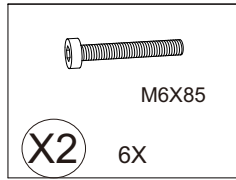
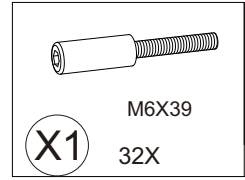
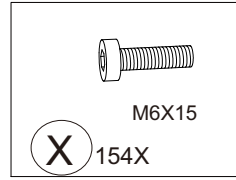
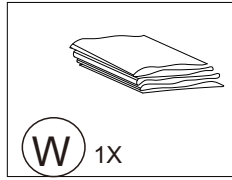
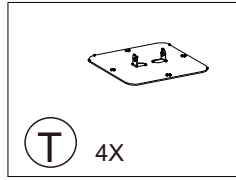
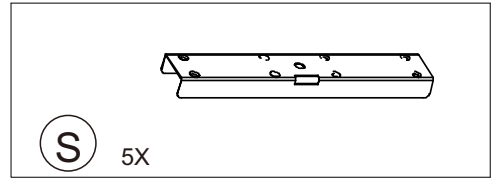
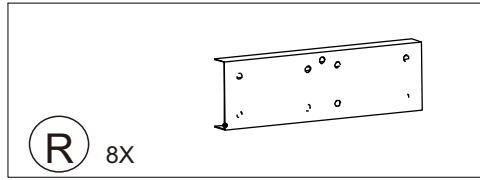


Do not tighten screws all the way for now.

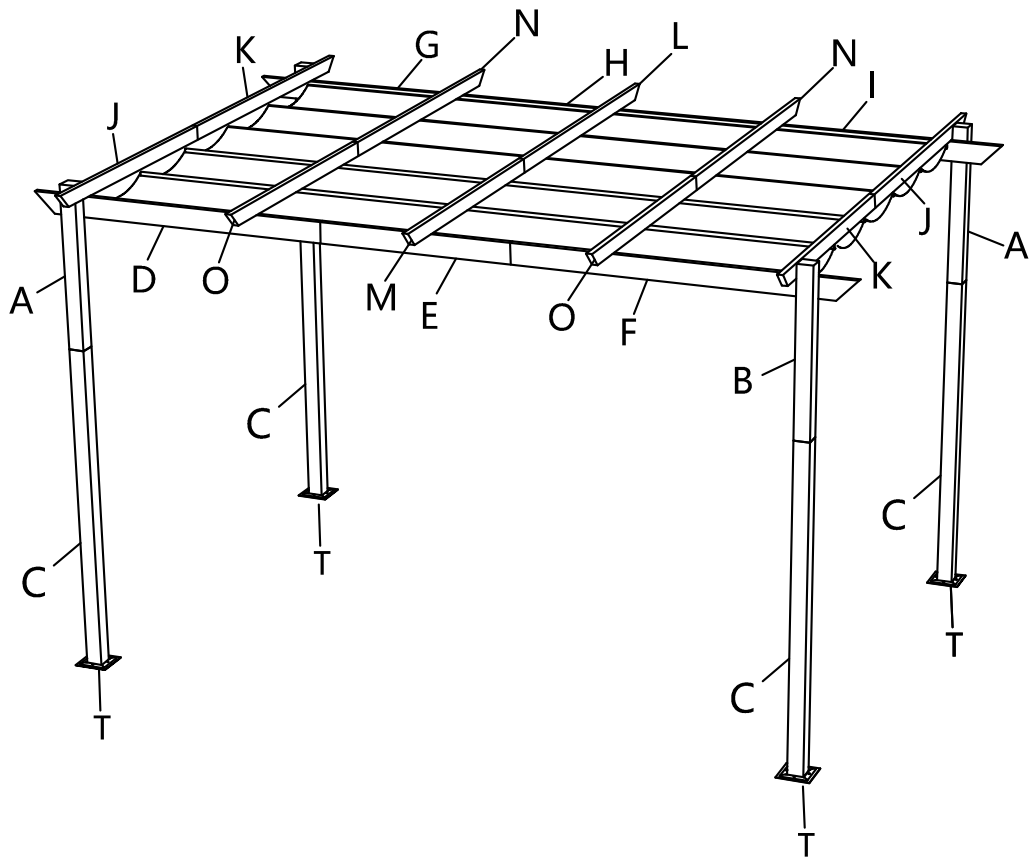
Parts list

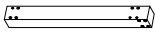

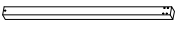
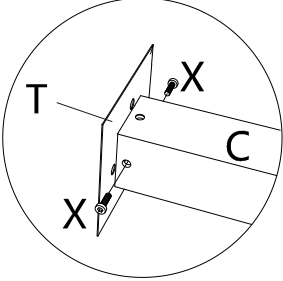
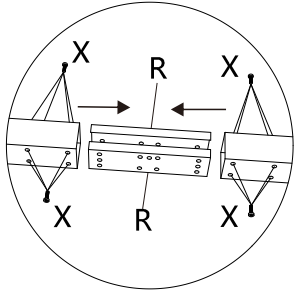
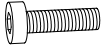
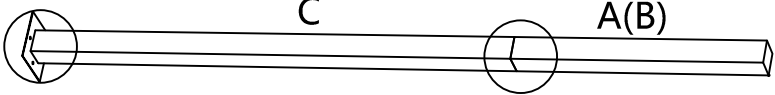


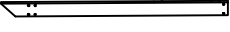
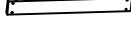
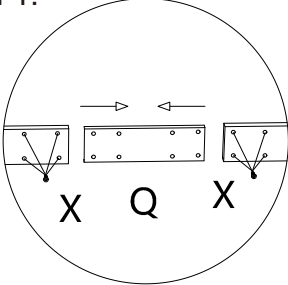





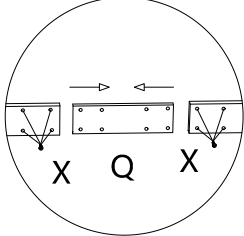
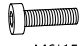
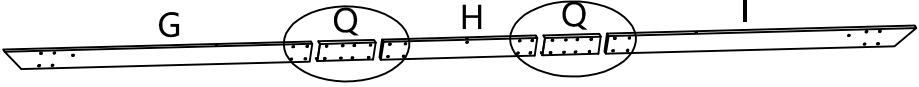

<p>A 2X</p> 	<p>L 1X</p> 
<p>B 2X</p> 	<p>M 1X</p> 
<p>C 4X</p> 	<p>N 2X</p> 
<p>D 1X</p> 	<p>O 2X</p> 
<p>E 1X</p> 	<p>P 10X</p> 
<p>F 1X</p> 	<p>P1 5X</p> 
<p>G 1X</p> 	<p>U 1X</p> 
<p>H 1X</p> 	<p>U1 1X</p> 
<p>I 1X</p> 	<p>V 5X</p> 
<p>J 2X</p> 	<p>V1 5X</p> 
<p>K 2X</p> 	<p>Q 4X</p> 







OVERALL

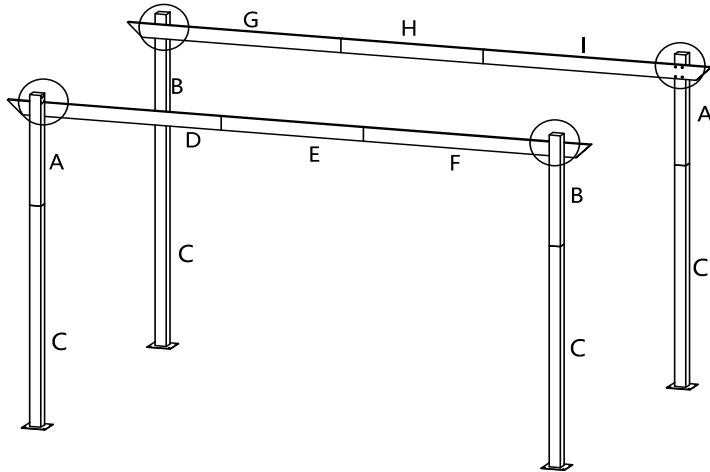
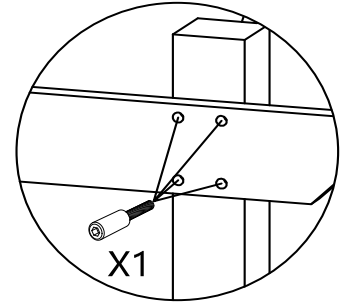



 A 2X	<p>Step1: a. Connect C and A or B using supporting part R and bolts X to build the four poles (2 x C & A and 2 x C & B). Do not fully tighten the bolts when you insert C into A or B.</p>
 B 2X	
 C 4X	 
 X 72X M6X15	
 R 8X	<p>b. Connect part T and four poles using bolts X. Fully tighten bolts X after C connected with A or B vertically.</p>
 Allen wrench	
 D 1X	<p>Step2. a. Connect D, E and F using supporting part Q and bolts X to build main beam 1.</p>
 E 1X	
 F 1X	
 G 1X	
 H 1X	<p>b. Connect G, H and I using supporting part Q and bolts X to build main beam 2.</p>
 I 1X	
 X 32X M6*15	
 Allen wrench	

 M6*39
 (X1) 16X



 Allen wrench

Step3: Connect the main beam 1 and main beam 2 with the four poles using bolts X1.




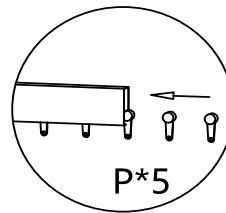
 (J) 2X


Step4: a. Insert the hooks P into the slot of part J. Repeat twice.

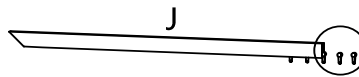
 (K) 2X


b. Connect J and K to build the cross beam (J&K) using bolts X and supporting part S.

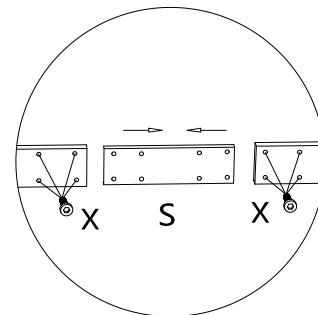
 (P) 10X




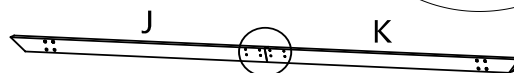
 (S) 2X



 M6*15
 (X) 16X




 Allen wrench





M6X39

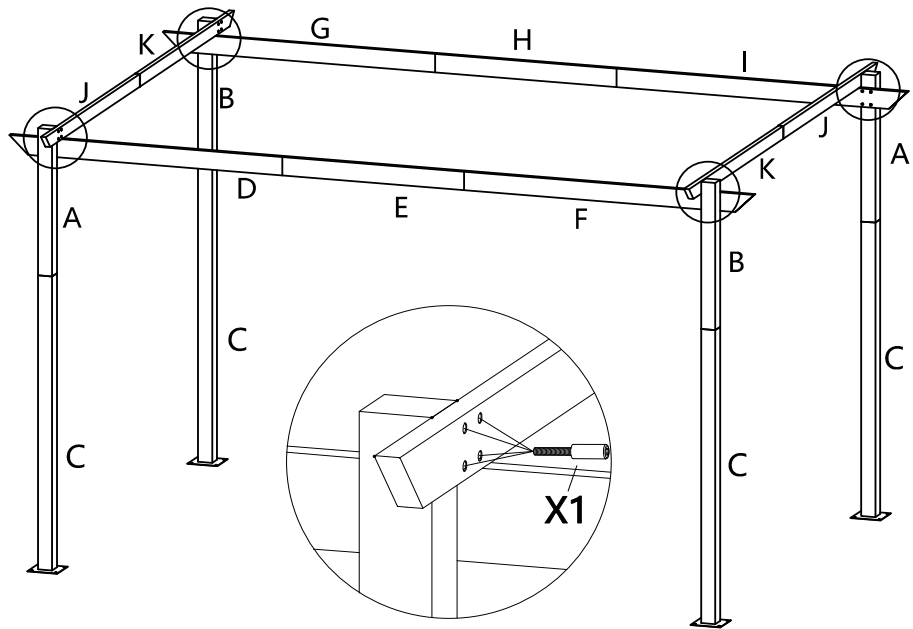
X1

16X

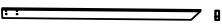


Allen wrench

Step5: Connect the cross beam (J&K) with the four poles using bolts X1.



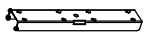
L 1X



M 1X



P1 5X



S 1X



M6*15

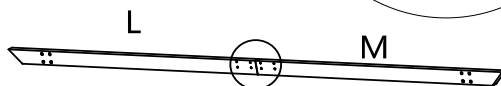
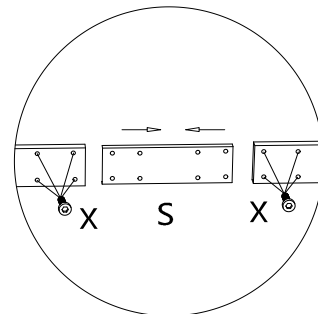
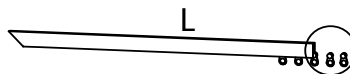
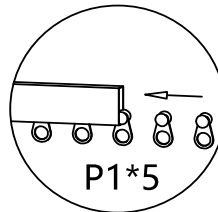
X 8X

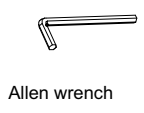
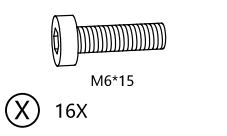
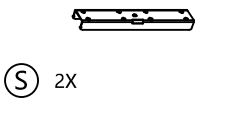
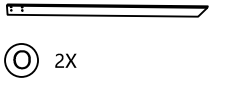
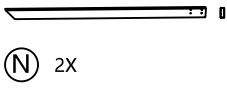


Allen wrench

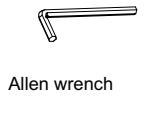
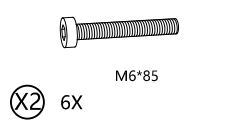
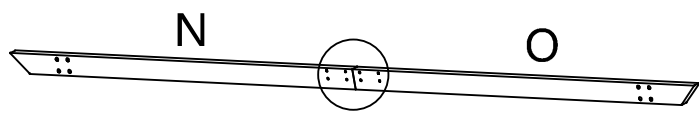
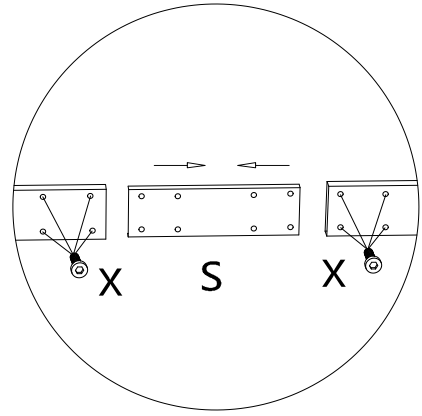
Step6: a. Insert the hooks P1 into the slot of part L.

b. Connect L and M to build the cross beam (L&M) using bolts X and supporting part S.

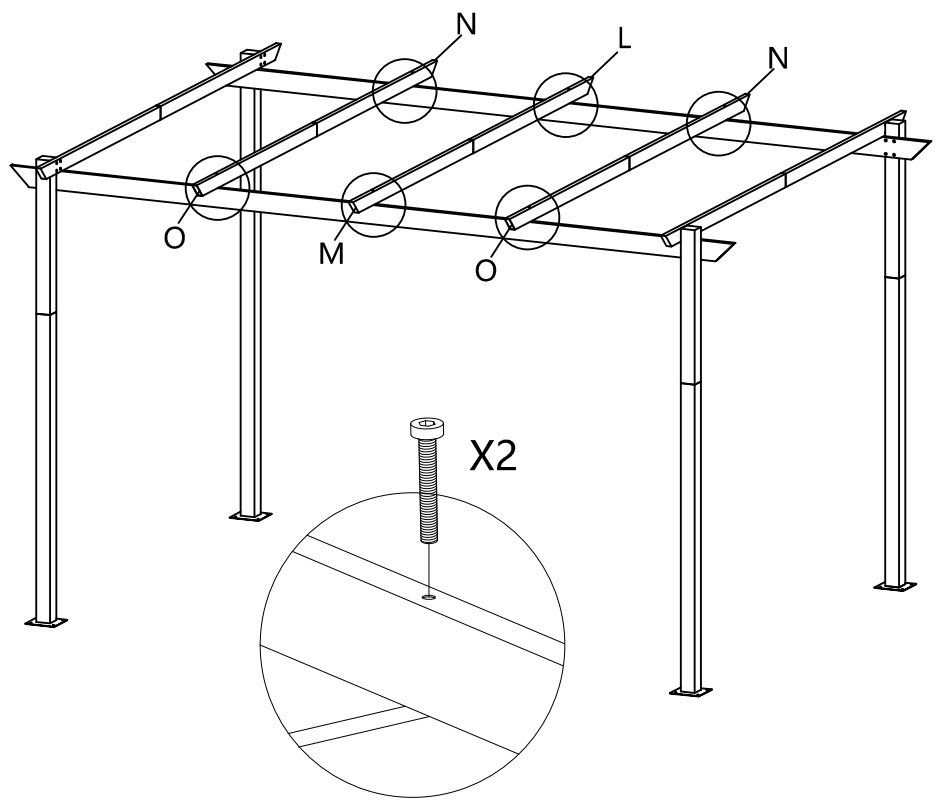







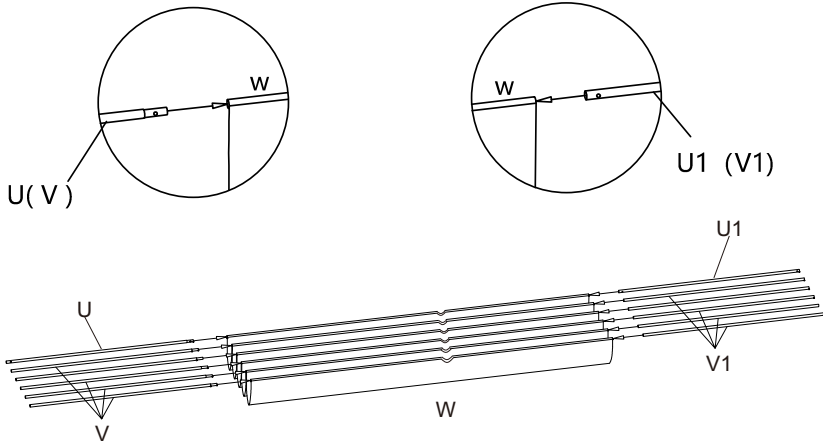


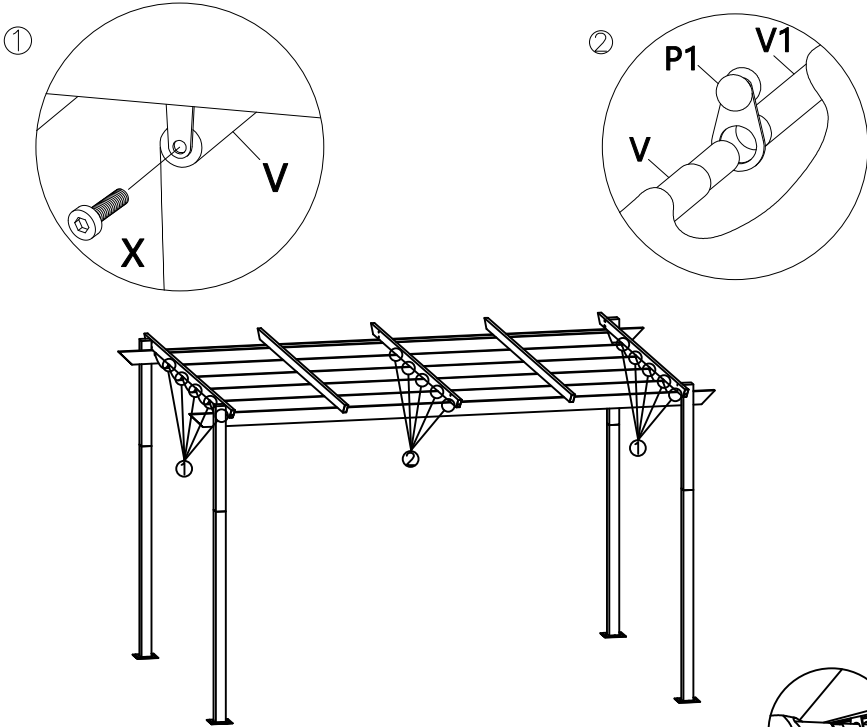
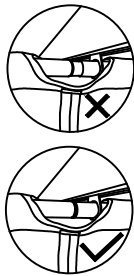


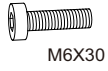
Step7: Connect N and O to build the cross beam (N&O) using bolts X and supporting part S.



Step8: Connect the cross beam (L&M) and (N&O) with the main beam 1 and 2.



 U 1X	<p>Step 9: Insert U, U1, V, V1 into the canopy from its side.</p>
 U1 1X	
 V 5X	
 V1 5X	
 W 1X	
 X 10X M6X15	<p>Step 10: Connect the canopy and the hocks using bolts X. Connect V and V1 through the hook.</p>
 Allen wrench	
	



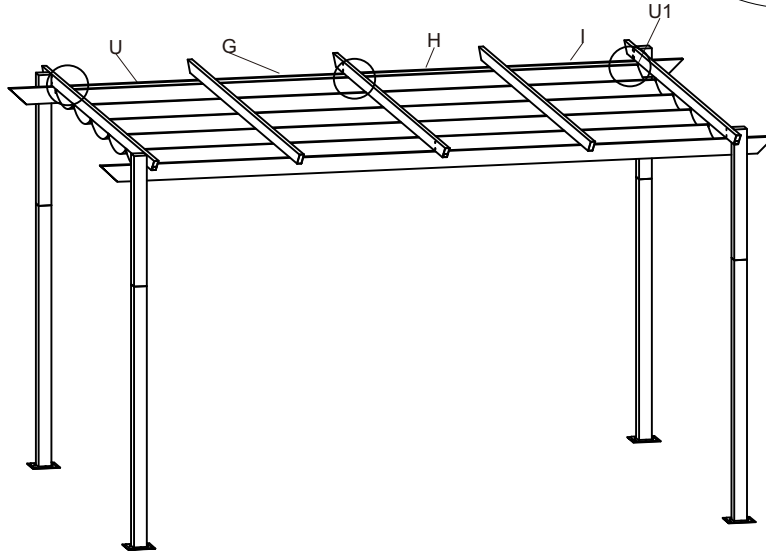
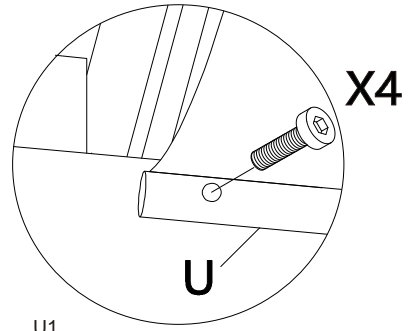
M6X30

X4 3X



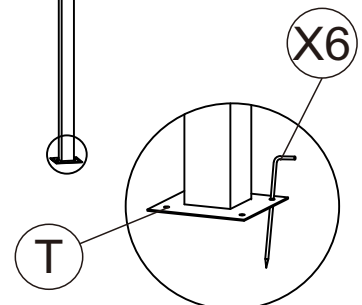
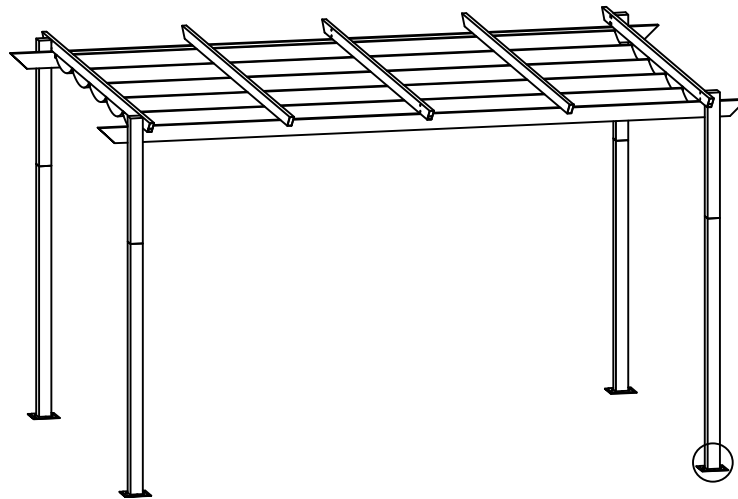
Allen wrench

Step 11: Connect G & H & I and U & U1 using bolts X4.



X6 16X

Step 12: Secure the foot T to the ground using part X6.





PEAKHOME FURNISHINGS INC.
970 Roosevelt #202, Irvine, CA 92620
www.peakhomefurnishings.com

CONTACT US

Toll free: 1-818-963-1558 Mon-Fri 10am - 6pm PST
Email: phf@peakhomefurnishings.com

If we missed you call, please leave a detailed message including your name and phone number. We will call back as soon as possible.

SOCIAL MEDIA

Follow us on our Social Media by uploading a picture of our brands furnishings in your home, you will have chance to get our newest product free.

 [Facebook.com/Peak-Home-Furnishings-Inc-103544141243786/](https://www.facebook.com/Peak-Home-Furnishings-Inc-103544141243786/)

 [Instagram.com/peakhomefurnishings](https://www.instagram.com/peakhomefurnishings)

 [Twiter.com/peakhomefurnis1](https://twitter.com/peakhomefurnis1)