

# Round Coffee Table Set

**Assembly & Care instructions**



**SKU: P25035-S1**

Please read & retain for future reference

## CATALOGS

CARE & INSTRUCTIONS.....	3
PARTS LIST.....	4
SCREW SET LIST.....	5
EXTRA .....	6
SPECIFICATIONS.....	7
INSTALLATION STEPS.....	8
SPECIFICATIONS.....	11
INSTALLATION STEPS.....	12

# Care & Instructions

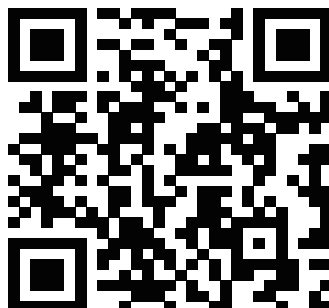
Thank you for ordering this outdoor round coffee table set. Here are some suggestions that may help you:

1. This set of round coffee tables comes two per box, one small and one large.
2. If any parts are damaged or lost, please read this instruction carefully (refer to the parts list on page. 4 and page 5), please feel free to contact us. We will send you a replacement immediately.
3. We hope you can like our products, if you have any other questions, please contact us.


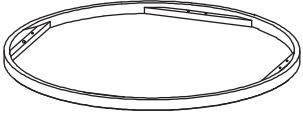
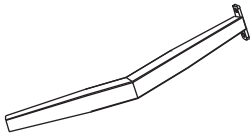
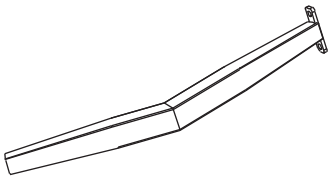

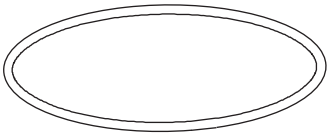
How to contact us:

**Email:**[service@alaulm.com](mailto:service@alaulm.com)

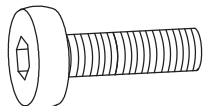
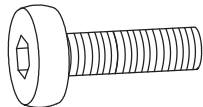
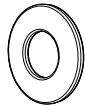
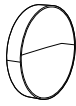

**Web:**[www.alaulm.com](http://www.alaulm.com)



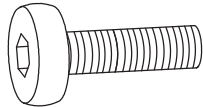
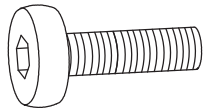
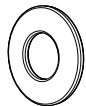
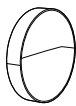
# PARTS LIST

PARTS LIST			
Part	Description	Part Name	Qty
L001		Small Round Countertop	1
L002		Large Round Countertop	1
L003		Small Single Leg	4
L004		Large Single Leg	4
L005		Small Round Frame	1
L006		Large Round Frame	1

# SCREW SET LIST

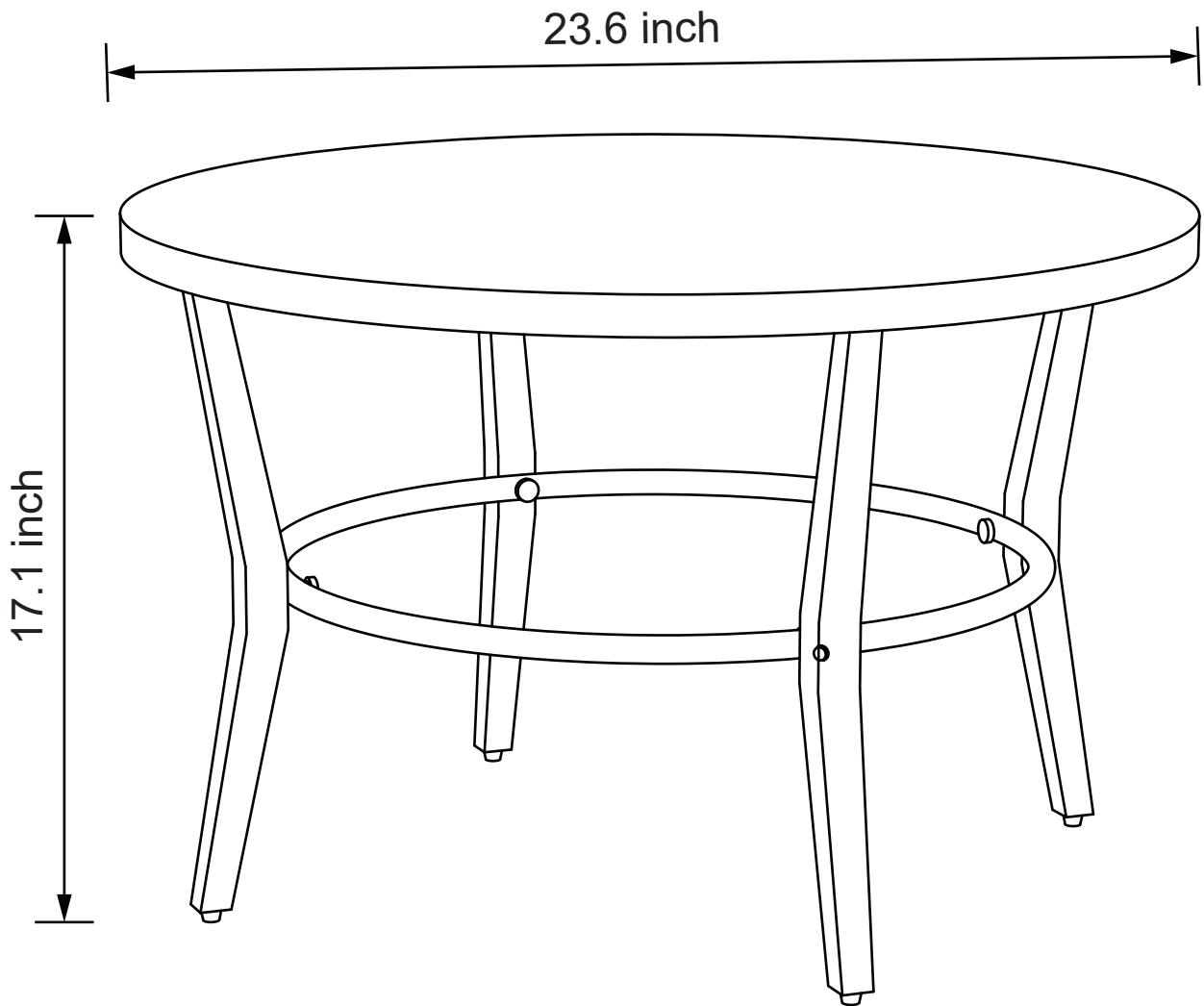
SCREW SET LIST			
Part	Description	Part Name	Qty
A		Bolt M6 × 20	16 PCS
B		Bolt M6 × 35	8 PCS
C		M6 Gaskets	24 PCS
D		M6 Bolt Cap	24 PCS
E		Allen Wrench M6	1 PC

## EXTRA

Part	Description	Part Name	Qty
A		Bolt M6 × 20	2 PCS
B		Bolt M6 × 35	1 PC
C		M6 Gaskets	3 PCS
D		Bolt Cap	3 PCS

**WARNING:** Failure to locate parts in accordance with these diagrams, or failure to use special parts provided with this equipment, may result in property damage or personal injury.

# **SPECIFICATIONS**

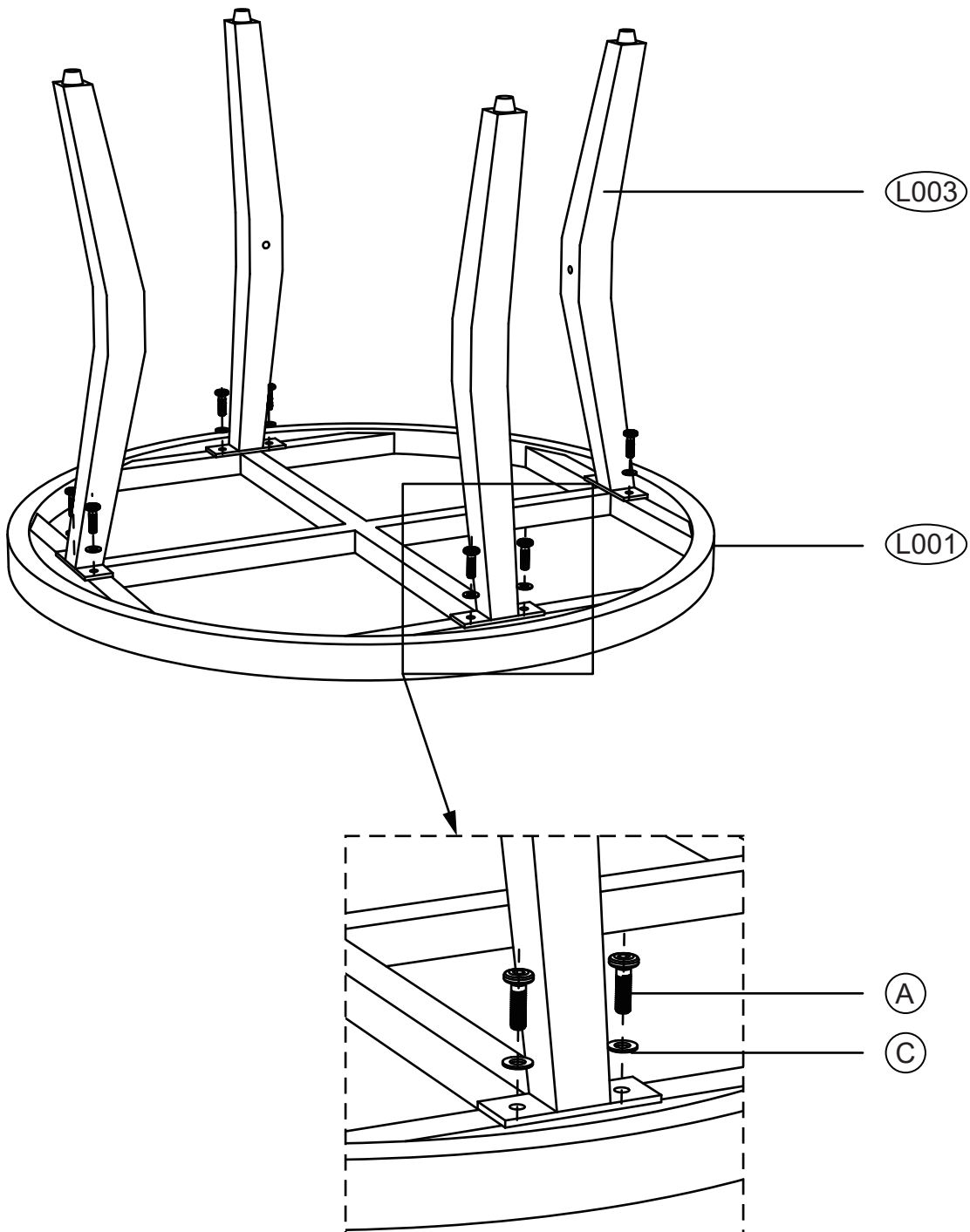


**Small round coffee table**

## Step 1

Attach the Small Single Leg(L003) and Small Round Countertop (L001) with screws(A) and allen wrench(E).

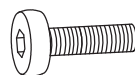
**Note: Do not tighten the Bolt.**



L001x1



L003x4



Ax8



Cx8

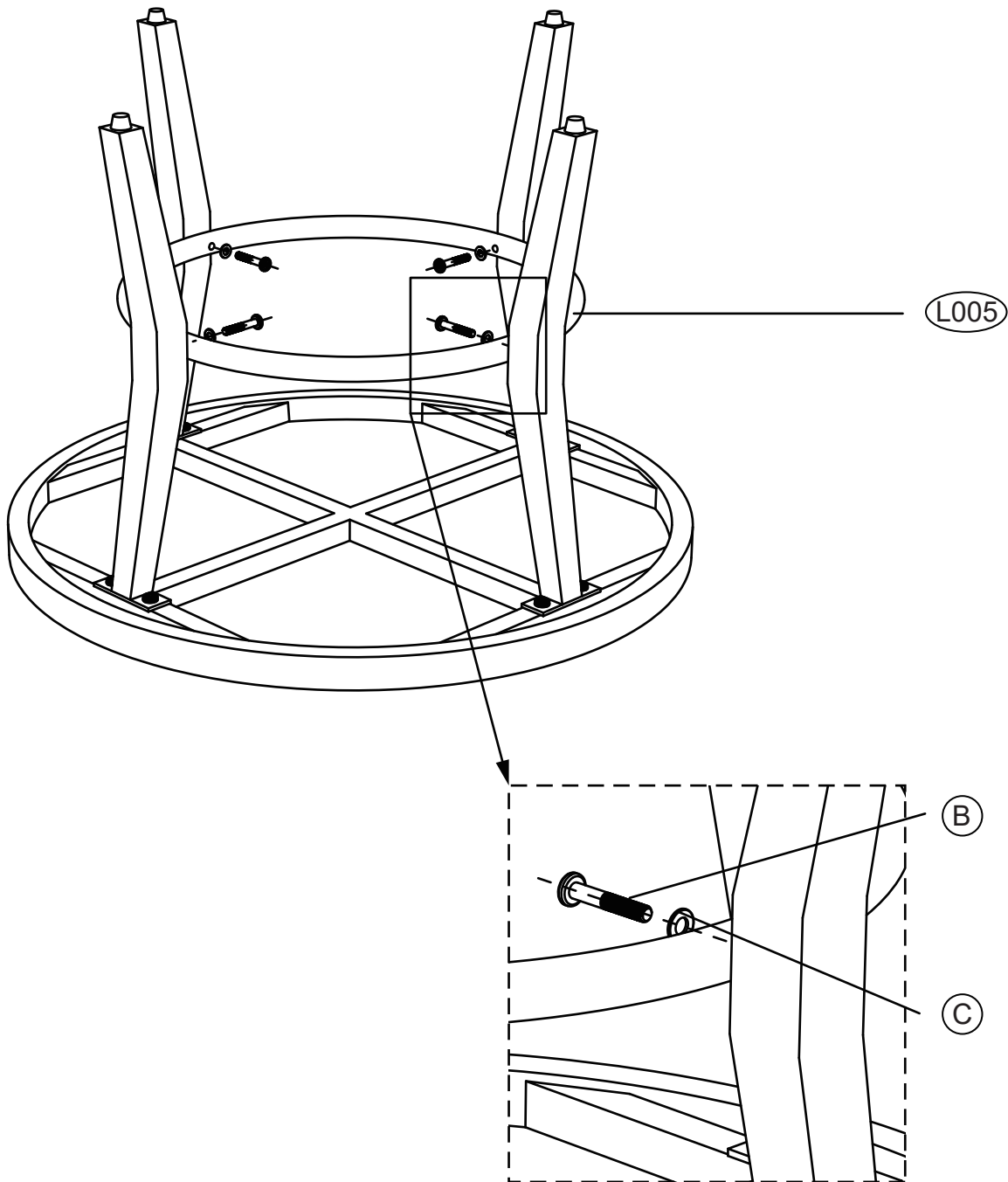


E

## Step 2

Attach the Small Single Leg(L003) and Small Round Frame(L005) with screws(B) and allen wrench(E).

**Note: Do not tighten the Bolt.**



 L005 x1

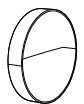
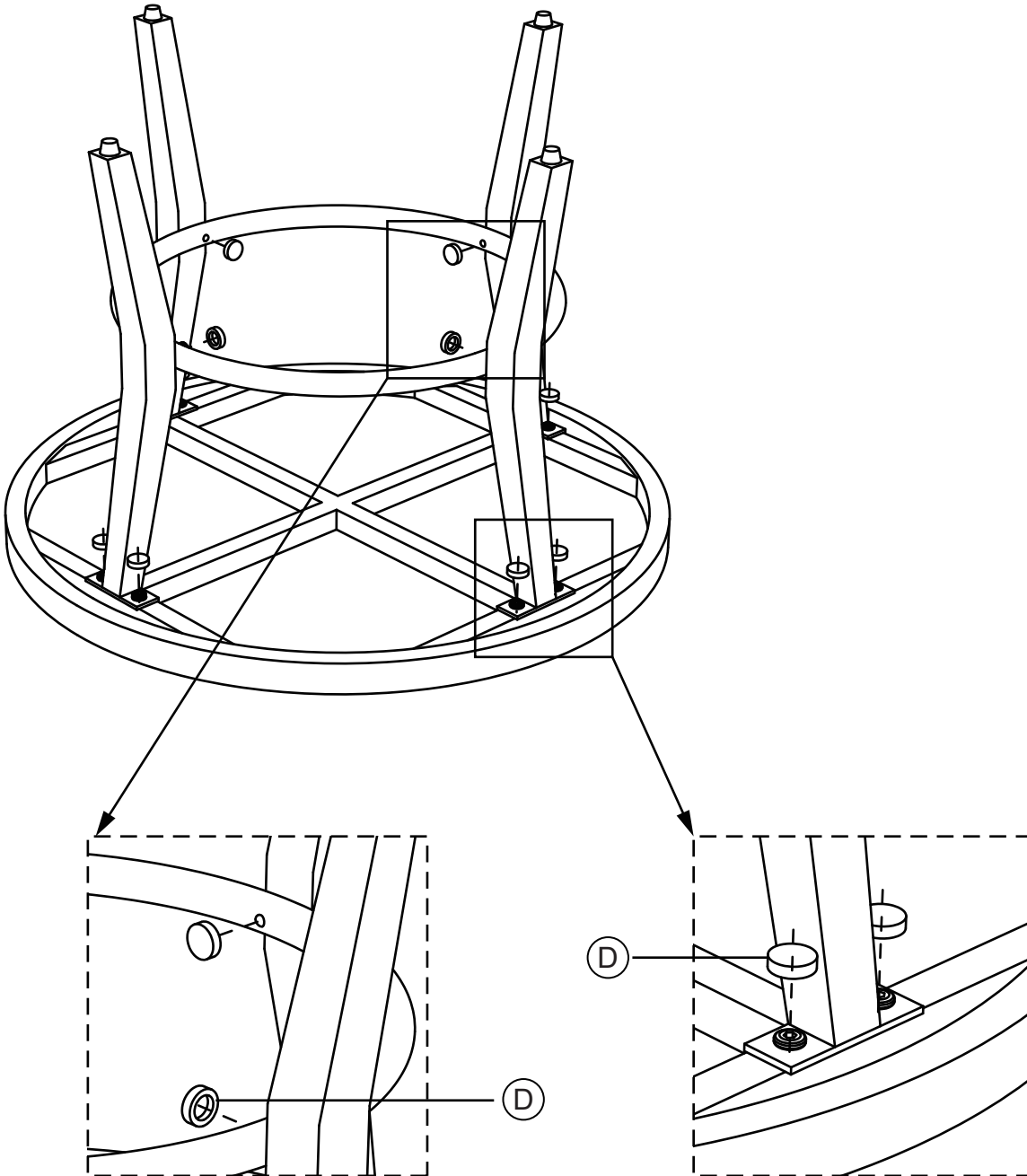
 Bx4

 Cx4

 E

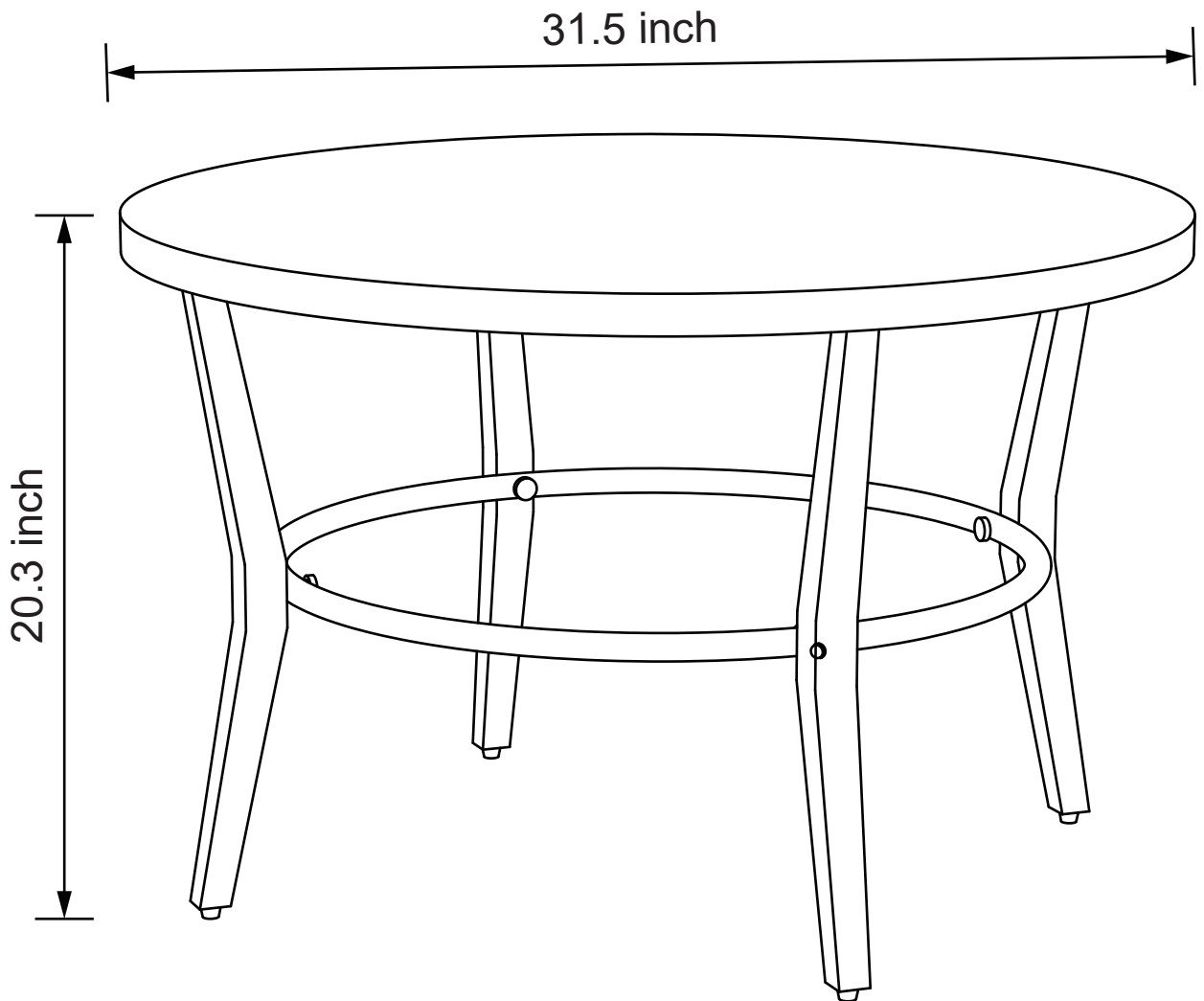
## Step 3

Tighten all screws and put the Bolt Cap (E) on the screws



Dx12

# **SPECIFICATIONS**

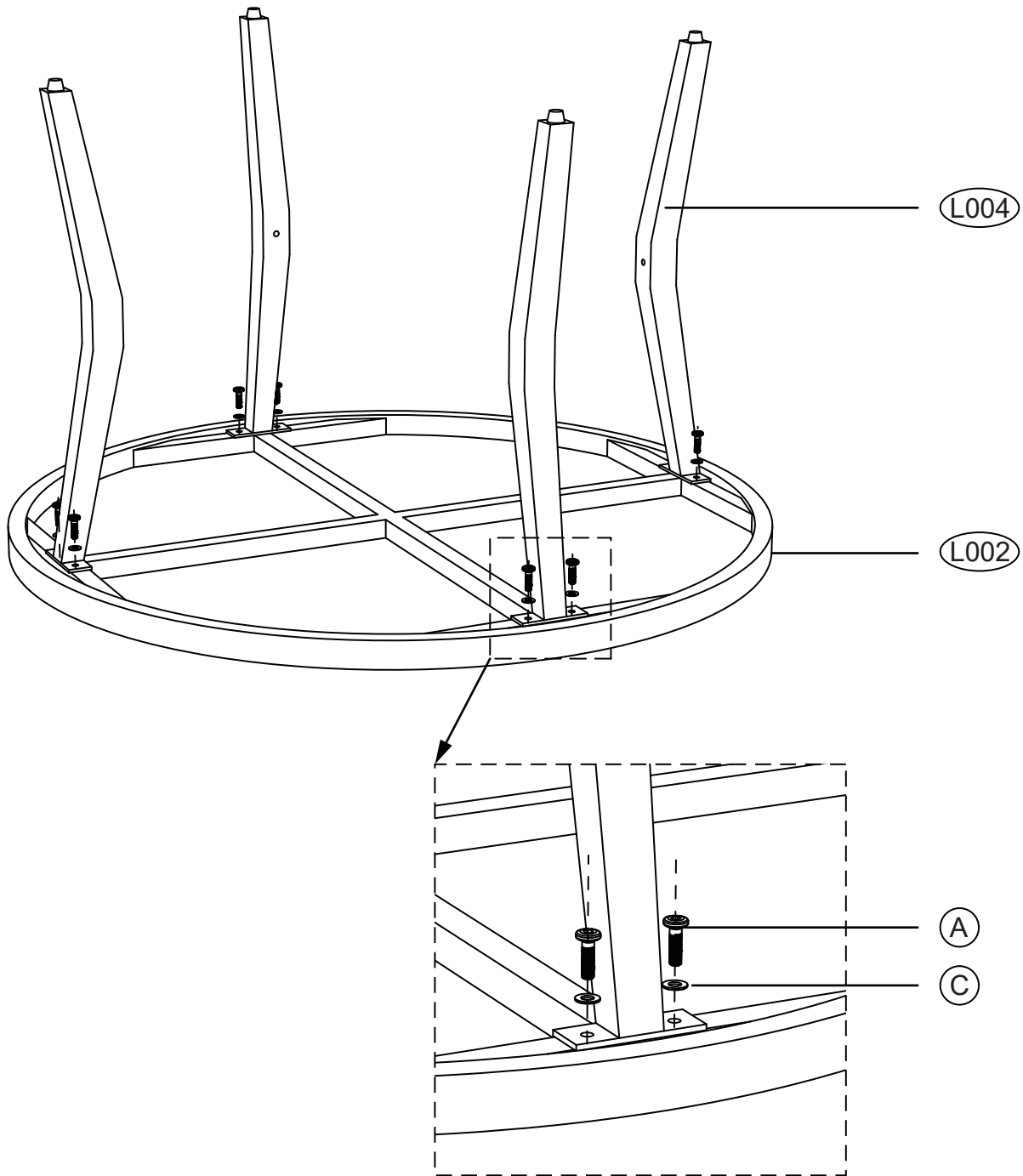


**Large round coffee table**

## Step 1

Attach the Large Single Leg(L004) and Large Round Countertop (L002) with screws(A) and allen wrench(E).

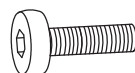
**Note: Do not tighten the Bolt.**



L002x1



L004x4



Ax8



Cx8

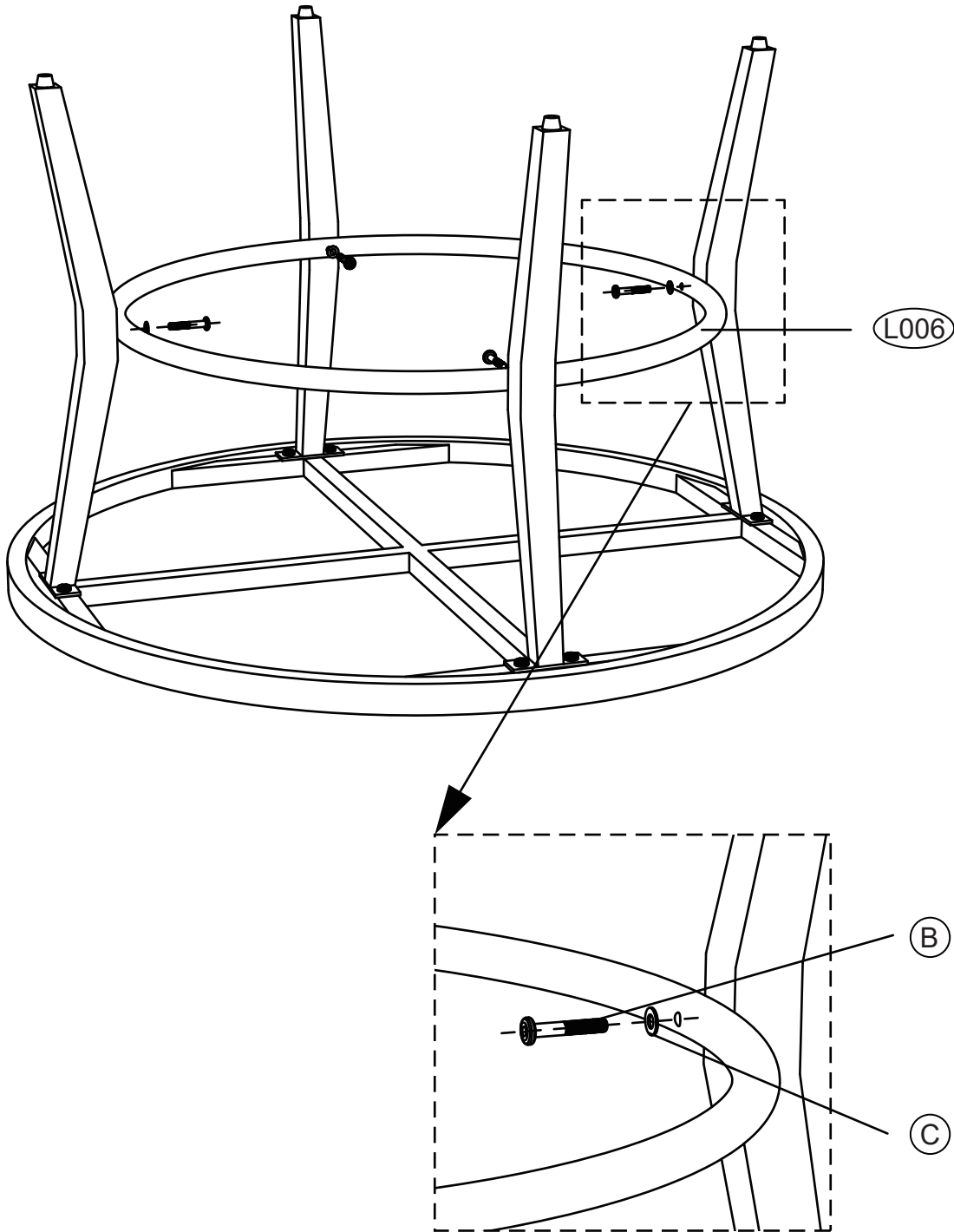


E

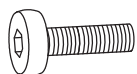
## Step 2

Attach the Large Single Leg(L004) and Large Round Frame(L006) with screws(B) and allen wrench(E).

**Note: Do not tighten the Bolt.**



L006



Bx4



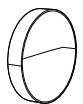
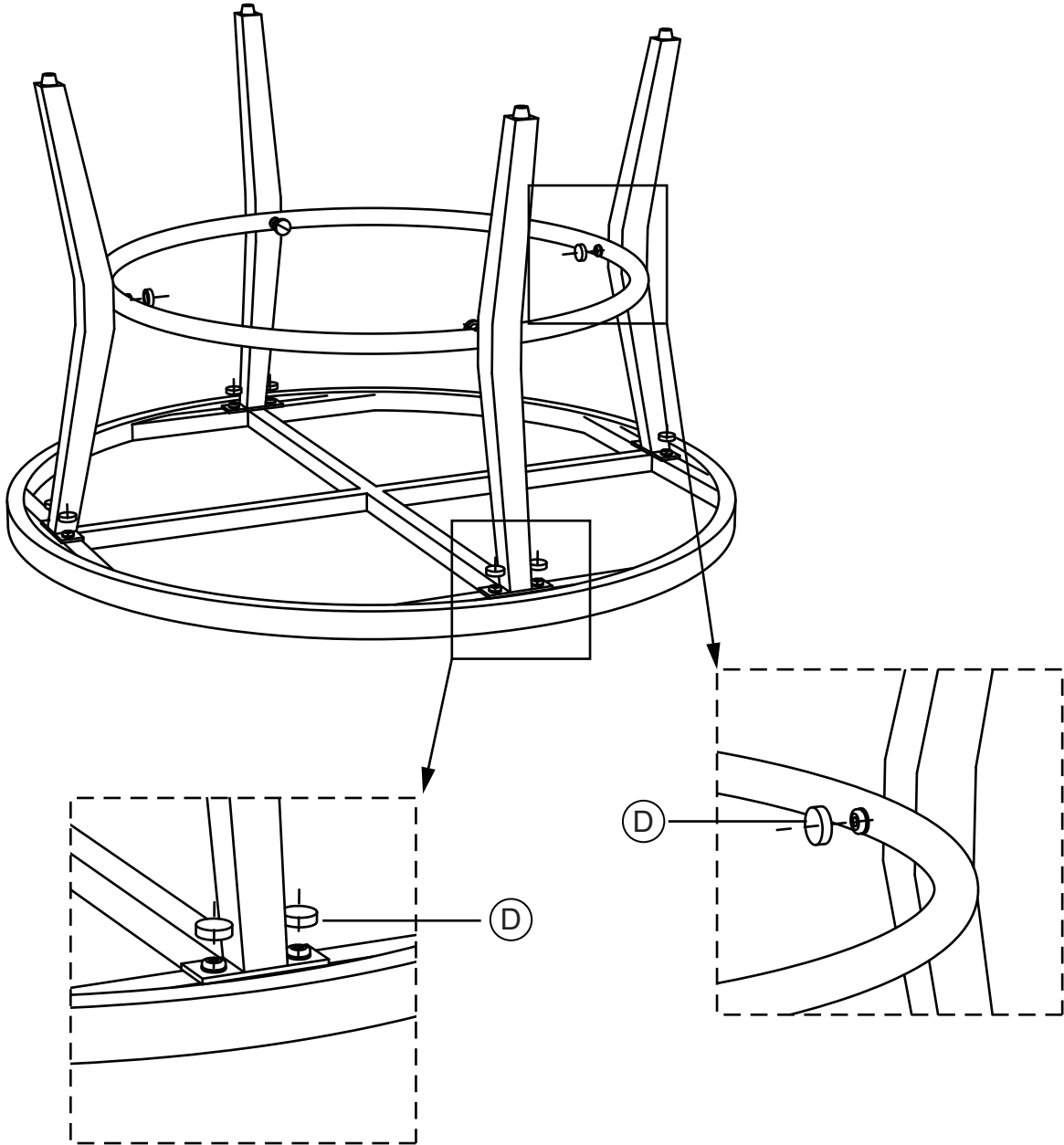
Cx4



E

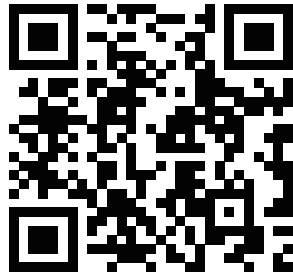
## Step 3

Tighten all screws and put the Bolt Cap (E) on the screws



Dx12





**[www.alaulm.com](http://www.alaulm.com)**

Make Your Life Much Better.