

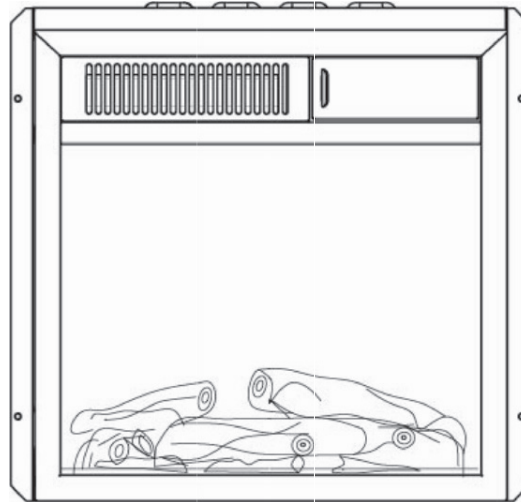
USER'S MANUAL

Electric Fireplace

THIS INSTRUCTION BOOKLET CONTAINS **IMPORTANT** SAFETY INFORMATION. PLEASE READ AND KEEP FOR FUTURE REFERENCE.

IMPORTANT INSTRUCTIONS AND OPERATING MANUAL

ELECTRIC FIREPLACE



NO VENTING REQUIRED



WARNING

Read and understand this entire owner's manual, including all safety information before plugging in or using this appliance. Failure to do so could result in fire, electric shock, or serious personal injury.

CERTIFIED UNDER CANADIAN AND AMERICAN
NATIONAL STANDARDS: ETL



IMPORTANT SAFETY INSTRUCTIONS

WARNING

These instructions should be carefully read before installation and retained by the user. The booklet must be kept and delivered to the new user in case of disposal of the heater. The Manufacturer reserves the right to vary the features of the product without prior notice. The technical data are indicative only.

1. THIS APPLIANCE IS HOT WHEN OPERATED AND CAN CAUSE SEVERE BURNS IF TOUCHED.
2. Do not operate the appliance before reading and understanding operating instructions. Failure to operate the appliance according to operating instructions could cause fire or injury.
3. Keep combustible materials, such as furniture, pillows, bedding, papers, clothes and curtains at least 3 feet (0.9 m) from the front of this appliance and keep away from the sides and the rear.
WARNING: In order to avoid overheating, do not cover the heater. The clearance may be inadequate when installed in a Recreational Vehicle with the slide-out closed.
4. Risk of burns. Power to the appliance should be turned off, and the appliance allowed to cool before servicing. To disconnect power to the appliance, turn controls to off, then remove plug from the outlet.
5. Do not install damaged, incomplete or substitute components.

6. Young children should be carefully supervised when they are in the same room as the appliance. Toddlers, young children, and others may be susceptible to accidental contact burns.
7. To prevent accidental swallowing, media bed kits should be kept away from children and infants.
8. Remote control contains small batteries. Keep away from children. If swallowed, seek medical assistance immediately.
9. Do not install battery backwards, charge, put in fire or mix with used or other battery types-may explode or leak causing injury.
10. Ensure that you have incorporated adequate safety measures to protect infants/toddlers from touching hot surfaces.
11. It is imperative that the control compartments, circulating blower and its passageway in the appliance and are kept clean. The appliance should be inspected before use and at least annually by a qualified service person.
12. Under no circumstances should this appliance be modified.
13. Do not use this appliance if any part has been in contact with water. Immediately call a qualified service technician to inspect the appliance and to replace any part of the control system which has been in contact with water.
14. Do not operate the appliance with the glass door removed, cracked or broken. Replacement of the glass should be done by a licensed or qualified service person.
15. Do not strike or slam shut the appliance's glass door.

16. Keep the packaging material out of reach of children and dispose of the material in a safe manner. As with all plastic bags, these are not toys and should be kept away from children and infants.

17. Servicing should be done only while the appliance is disconnected from the power supply circuit.

18. Always unplug the appliance when not in use.

19. Do not operate this appliance with a damaged cord or plug after the appliance malfunctions, has been dropped or damaged in any manner. Ask qualified technician for help.

20. Do not use the appliance outdoors.

21. Never place the appliance where it may fall into a bathtub or other water container.

22. Do not run cord under carpeting. Do not cover cord with throw rugs, runners, etc. Arrange cord away from cluttered area and where it will not be tripped over.

23. Connect to properly grounded outlets only.

24. Do not insert or allow foreign objects to enter any ventilation or exhaust opening as this may cause an electric shock or fire, or damage the appliance.

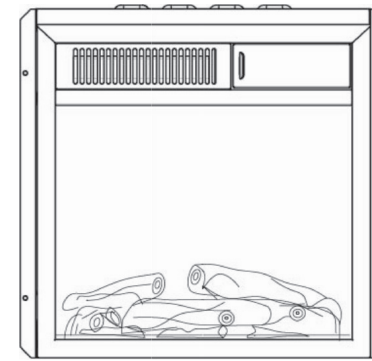
25. To prevent a possible fire, do not block air intakes or exhaust in any manner. Do not use on soft surfaces, like a carpet, where openings may become blocked.

26. Always plug appliances directly into a wall outlet/receptacle. Never use an extension cord or relocatable power tap (outlet/power strip).

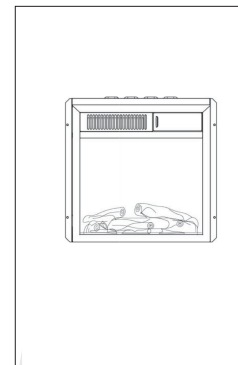
SAVE THESE INSTRUCTIONS

1.0 PACKING LIST

No.	Description	Quantity
1	Electric Fireplace	1 pc
2	Installation and Operating instructions	1 pc
3	Remote Control(Battery included)	1 pc



1

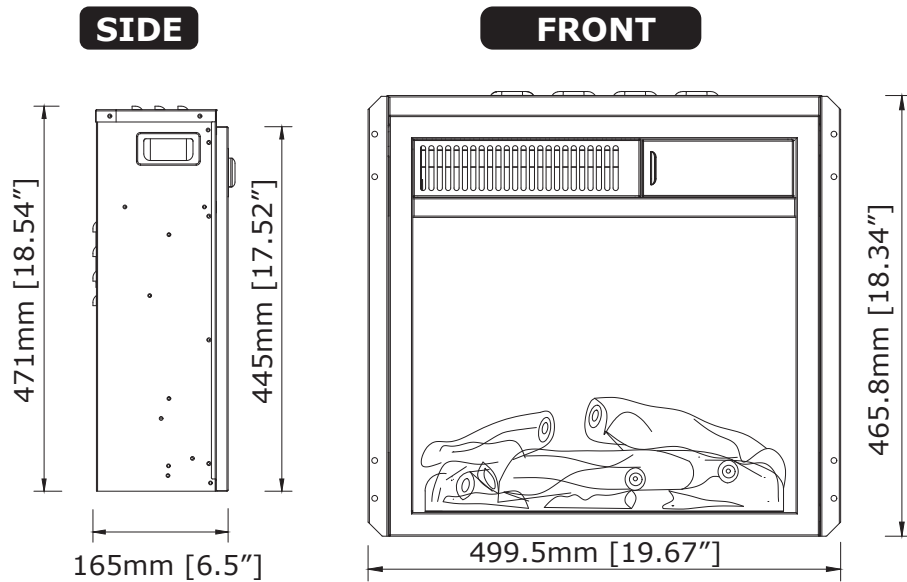


2



3

1.1 DIMENSIONS



Model No.	FP10185
Description	Recessed, or free standing appliance
Voltage	120VAC
Watts	Max 1500W
Amps	12.5AMP
BTUs	5100BTU

LISTING APPROVALS

This appliance has been tested in accordance with the ETL Standards for fixed and location-dedicated electric room appliances in the United States and Canada. If you need assistance during installation, please ask qualified technician for help.

NOTE: This appliance must be electrically wired and grounded in accordance with local or, in the absence of local, with National Electric Code ANSI/NFPA 70-latest edition in the United States or the Canadian Electric Code and ETL in Canada.

2.0 ELECTRICAL INSTALLATION NOTES

2.1 GENERAL INSTRUCTIONS



CAUTION - Some parts of this product can become very hot and cause burns. Particular attention has to be given where children and vulnerable people are present.

A. Prior to plugging your appliance into an electrical outlet, verify that the house circuit breakers for the outlet are on.

B. The appliance may emit a slight, harmless odor when first used. This odor is normal and caused by the initial heating of internal appliance elements, and the odor will not occur again.

C. If your appliance does not emit heat, consult the operation section of this manual for further information.

D. Use with an ETL or UL certified surge protector.



RISK OF FIRE! THE POWER CORD MUST NOT BE PINCHED AGAINST A SHARP EDGE. SECURE CORD TO AVOID TRIPPING OR SNAGGING TO REDUCE THE RISK OF FIRE, ELECTRIC SHOCK OR PERSONAL INJURY. DO NOT RUN CORD UNDER CARPETING. DO NOT COVER CORD WITH THROW RUGS, RUNNERS, ETC.

ARRANGE THE CORD AWAY FROM HIGH-TRAFFIC AREAS TO AVOID A TRIPPING HAZARD.

RISK OF FIRE. TO PREVENT A POSSIBLE FIRE, DO NOT BLOCK AIR INTAKE OR EXHAUST IN ANY MANNER. DO NOT USE IT ON SOFT SURFACES WHERE OPENINGS MAY BECOME BLOCKED.

RISK OF FIRE. DO NOT BLOW OR PLACE INSULATION AGAINST THE APPLIANCE.

THIS ELECTRIC APPLIANCE IS TESTED AND LISTED FOR USE ONLY WITH THE APPROVED OPTIONAL ACCESSORIES. USE OF OPTIONAL

ACCESSORIES NOT SPECIFICALLY TESTED FOR THIS ELECTRIC APPLIANCE COULD VOID THE WARRANTY AND/OR RESULT IN A SAFETY HAZARD. IF THE INFORMATION IN THESE INSTRUCTIONS IS NOT FOLLOWED EXACTLY, A FIRE MAY RESULT CAUSING PROPERTY DAMAGE, PERSONAL INJURY OR DEATH. DO NOT STORE OR USE GASOLINE OR OTHER FLAMMABLE VAPORS IN THE VICINITY OF THIS OR ANY OTHER APPLIANCE.

THIS APPLIANCE IS HEAVY. IT IS HIGHLY RECOMMENDED THAT TWO PEOPLE INSTALL THIS APPLIANCE.

HEATER VENTS ON THE ELECTRIC APPLIANCE CANNOT, IN ANY WAY, BE COVERED. AS IT MAY CREATE A FIRE HAZARD.

Follow all National and local electrical codes.

1. The heaters should be installed only using the mounting brackets we provided if you want to mount them.

2. The heater must not be recessed in the ceiling. There must be enough space around the top of the heater to ensure adequate ventilation.

3. The heater should be at least 60cm/24 inches away from any surrounding walls.

4. A distance of at least 90cm/36 inches should always be left in front of the heaters to ensure safety.

5. The heater must be located neither directly below nor in front of a socket-outlet.

6. The heater must be installed to prevent any control switches from being touched by anyone who is in the shower or bath.

7. Make sure that there is no possibility of inflammable material, combustible material or curtains coming into contact with the heater, there is a risk of fire if this happens.

8. DO NOT LEAVE THE HEATER UNATTENDED DURING USE.

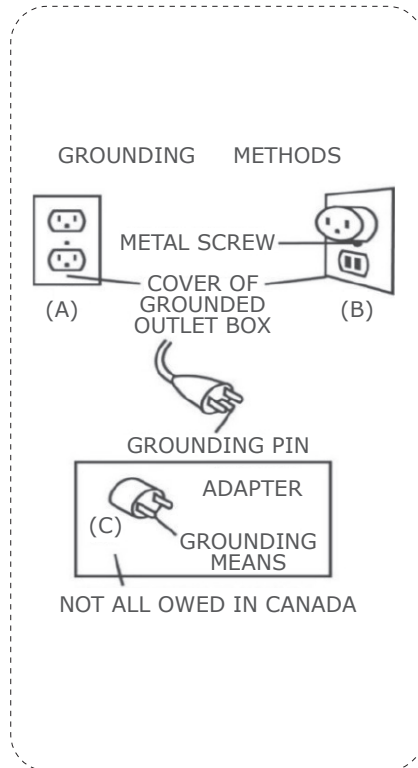
3.0 INSTALLATION INSTRUCTIONS

3.1 UNPACKING AND TESTING APPLIANCE WALL

Carefully remove the appliance from the box. Prior to installing the appliance, test to make sure the appliance operates properly by plugging the power supply cord into a conveniently located 120 Volt grounded outlet.

3.2 GROUNDING APPLIANCE

This appliance is for use on 120 Volts. The cord has a plug as shown in (A). An adapter as shown in (C) is available for connecting three-blade grounding type plugs to two-slot receptacles. The green grounding lug extending from the adapter must be connected to a permanent ground such as a properly grounded outlet box. The adapter should not be used if a three-slot grounded receptacle is available. To disconnect the appliance, turn off the controls, then remove the plug from the outlet.



3.3 ASSEMBLY



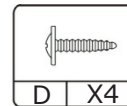
ALWAYS unplug this fireplace heater before assembly or cleaning, or before relocating. Failure to do so could result in electric shock, fire, or personal injury.

KEEP drapery and other furnishings at least 3ft /0.9m from the front and sides of the electric fireplace.

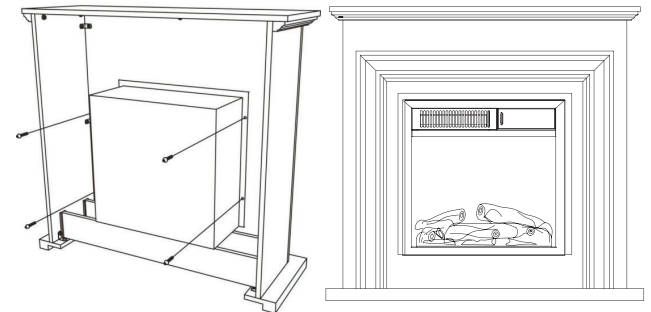
AFTER installation, ensure that there is $\geq 0.004 \text{ m}^2$ ventilation area between inside and outside of fireplace mantel.

Your new electric fireplace may be installed virtually anywhere in your home. However, when choosing allocation ensure that the general instructions are followed. For best results, install out of direct sunlight. Power supply service must be either completed or placed within the electric fireplace prior to finishing to avoid reconstruction. When moving the insert into mantel. Do not let bottom of insert touch the mantel to avoid the scratch.

You can use below screws to secure the heater to the mantel. Note: 4 screws are in the package together with wood shelf.



ST4.2X12 SCREW

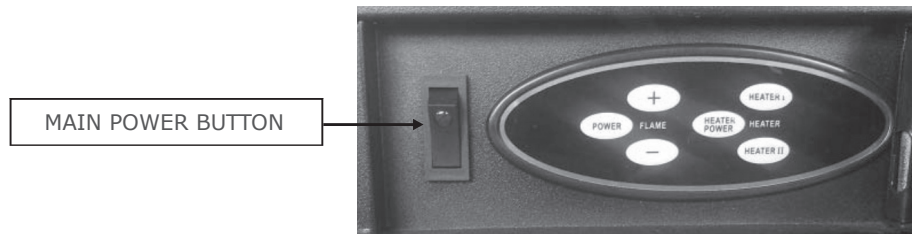


4.0 OPERATING INSTRUCTIONS

Once the appliance has been plugged into a grounded electrical outlet, it is ready to operate.

4.1 MAIN POWER BUTTON

The Main Power Button is local on the upper right of the fireplace as appliance, press indicator to turn on the appliance, and press the other side to turn it off.

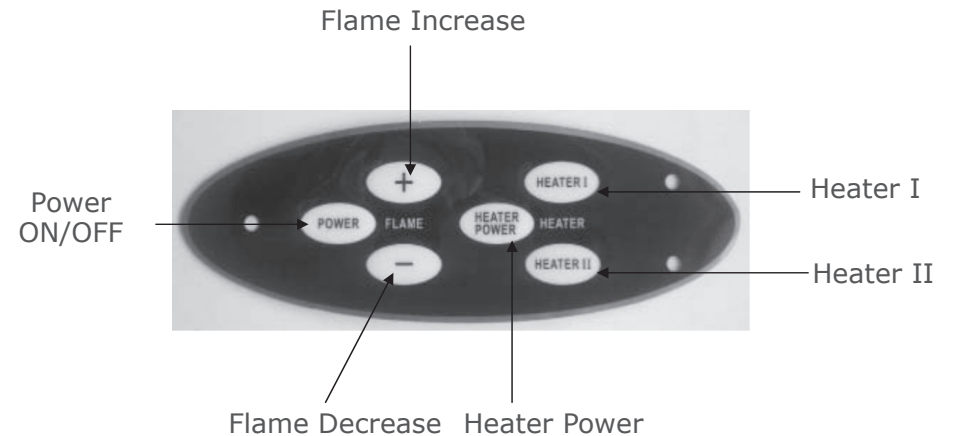
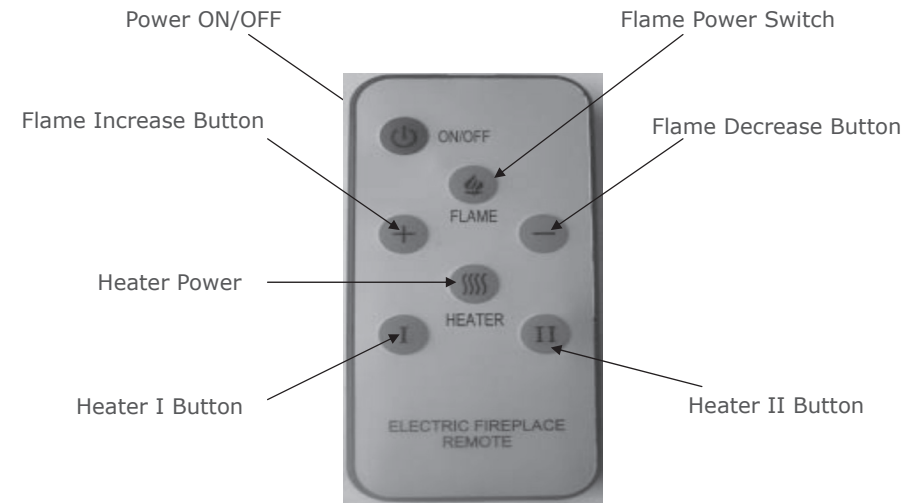


Note: Make sure the Main Power Switch is turned on before operating.

4.2 CONTROL PANEL/REMOTE CONTROL OPERATION

(Main Power Switch must be turned ON before using the remote control.) The touch display panel is shown on the bottom right of the front of the appliance.

★ *Move the battery's transparent insulating piece away before using the remote control*



POWER	Turn the appliance ON/OFF. NOTE: Make sure the main switch fireplace is turned on before operating.
Flame Increase (+) Flame Decrease (-)	Control Flame brightness. 7 Settings: Press the flame brightness increase "+" Button or the flame brightness decrease "-" Button to adjust to your desired brightness.
Heater Power	Control the Heater ON/OFF. Press the "HEATER POWER" Switch to on or off the unit heater.
Heater I Heater II	Control the Heater. Press button to initiate the heater. (OFF) no heater or blower. "I ", heater blows warm air(750W) " II ", heater blows hot air(1500W) NOTE: Heater functions cycle from(OFF)(I)(II)

WARNING: Do not move or remove the mesh trim panel, when the appliance is plugged in and operating. This will cause the remote control and touch panel to no longer function.

NOTICE: When the heater is turned on for the first time, a slight odor may be present. This is normal and should not occur again unless the heater is not used for a long period of time.

NOTICE: To improve the heater's performance, aim the remote control at the front of the fireplace. DO NOT press the buttons too quickly. Give the unit enough time to respond to each command.

4.3 REMOTE CONTROL

★ Move the battery's transparent insulating piece away before using.



Battery must be recycled or disposed of properly. Check with your Local Authority for recycling advice in your area.

5.0 TROUBLE SHOOTING GUIDE

PROBLEM	SOLUTION	
Heater doesn't turn on with the power switch.	1. Main Power supply switch is off.	Turn the main power supply switch to "ON" position.
	2. Circuit breaker has been tripped.	Too many appliances are on this circuit. Be sure that the electrical supply for this unit is an independent circuit.
	3. Heater is unplugged from the wall outlet.	Make sure the power cord is plugged into a functioning and properly grounded 15 Amp 120V AC electrical outlet.

PROBLEM	SOLUTION	
Heater doesn't turn on with the power switch.	4. Power cord or power plug are damaged.	Contact a qualified electrician to replace power cord.
	5. Power outlet for power plug prong is loose.	Check the power outlet and replace it with a new one.
	6. Loose wiring.	Check all wiring for loose connections. Contact a qualified electrician.
Heater is on, but no flame or low flame intensity	1. Heater switches is on, but Flame is not on.	Long-press the "DIMMER" button for 6 seconds, the appliance will go into sleep mode. All the lights off, the heating function goes on. Long-press for 6 seconds again, the appliance will back to normal mode.
	2. Flame Adjusting knob is at low setting.	Turn the knob to the maximum setting.
	3. Loose wiring.	Check all wiring for loose connections. Contact a qualified electrician.

PROBLEM	SOLUTION	
Flame are frozen	1. Flame element is not attached to the motor.	Ask qualified technician for help.
	2. Rotation motor is defective.	Ask qualified technician for help.
Excessive noise in the lower portion of the heater.	1. Flame element isn't seated properly	Ask qualified technician for help.
	2. Motor is defective.	Ask qualified technician for help.
Heater system doesn't come on.	1. Heater power switch is off.	Turn the heater power switch to the "ON" position.
	2. Heater system is overheated.	Maybe the heater is covered or air inlet or air outlet is blocked; remove the clothes or the blockage and turn off the power switch and unplug it. Wait 10 minutes, and then turn the heater on again.
	3. Loose wiring.	Check all wiring for loose connections. Contact a qualified electrician.
	4. The air inlet or air outlet is blocked completely.	Leave adequate space around the unit. Remove the blockage, on or in front of the air outlet.

PROBLEM	SOLUTION	
'HEAT' switch has been flipped on, but there is no airflow.	1. The heater system is overheated. Temperature Limit thermostat is cutoff.	Check the air inlet and outlet. Turn off the power switch and unplug it. Wait 10 minutes, and then turn the heater on again.
	2. Fan motor is defective.	Ask qualified technician for help.
	3. Fan blower is balanced badly.	Ask qualified technician for help.
	4. The "POWER" and the "HEAT" switches are not turned on.	Turn these two switches on.
Fan runs but no heat is coming out.	1. Loose wiring.	Ask qualified technician for help.
	2. Bad heating element.	Ask qualified technician for help.
	3. Build up of dirt on the fans	clean all fans
	4. Heater fan is defective.	Ask qualified technician for help.

PROBLEM	SOLUTION	
The remote control does not work.	1. The battery is not properly installed.	Make sure the battery is properly installed. Move the battery's transparent insulating piece away before using.
	2. Not pointing to the right position.	Aim the remote control at the receiver.
	3. There is an obstacle in front of the machine.	Remove the obstacles. Items between the remote control and the remote-control receiver will block the signal.
	4. Press the remote control buttons too quickly.	Don't press the remote-control buttons too quickly. Give the unit enough time to respond to your commands.
There is an odor coming from the heater.	The heater may emit a slight, harmless odor when first used. This is a normal condition caused by initial heating of the internal parts and will not occur again.	
NOTE: For the most of functional problems, you can unplug the unit wait for 10 minutes and plug it again, the machine will reset to the initial status (product originals). If the problem is still not solved, ask qualified technician for help.		

6.0 MAINTENANCE



DISCONNECT POWER AND ALLOW HEATER TO COOL BEFORE ATTEMPTING ANY MAINTENANCE OR CLEANING TO REDUCE THE RISK OF FIRE, ELECTRIC SHOCK OR DAMAGE TO PERSON.

THE FIREPLACE SHOULD NOT BE OPERATED WITH AN ACCUMULATION OF DUST OR DIRT ON OR IN THE UNIT, AS THIS CAN CAUSE A BUILD UP OF HEAT AND SUBSEQUENT EVENTUAL DAMAGE. FOR THIS REASON THE HEATER MUST BE INSPECTED REGULARLY, DEPENDING ON CONDITIONS AND AT LEAST AT YEARLY INTERVALS.

6.1 PARTIALLY REFLECTIVE GLASS CLEANING

The partially reflective glass is cleaned in the factory during the assembly operation. During shipment, installation, handling, etc., the partially reflective glass may collect dust particles; these can be removed by dusting lightly with a clean dry cloth. To remove fingerprints or other marks, the partially reflective glass can be cleaned with a damp cloth. The partially reflective glass should be completely dried with a lint-free cloth to prevent water spots. To prevent scratching, do not use abrasive cleaners.

6.2 SCHEMATIC DIAGRAM

