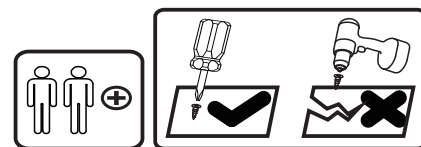
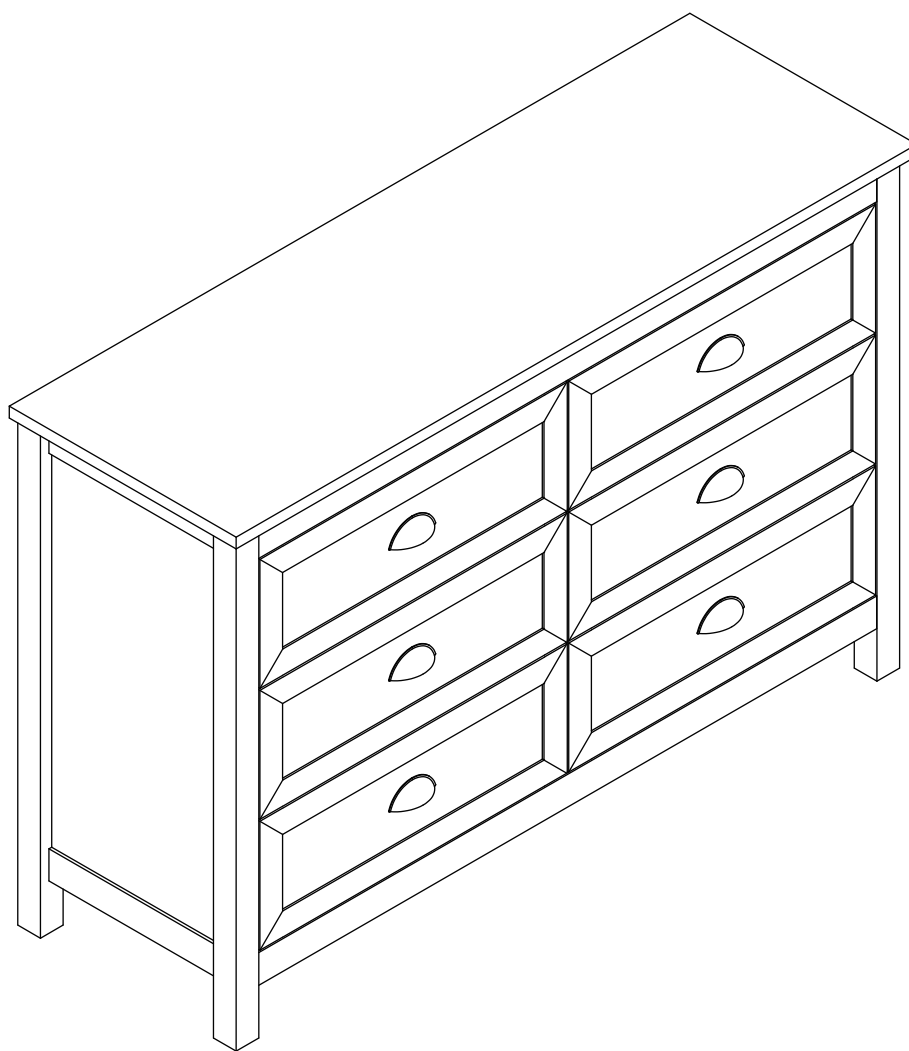


ASSEMBLY INSTRUCTIONS

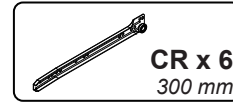
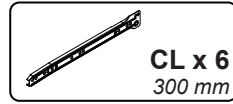
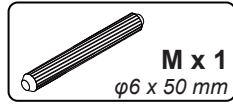
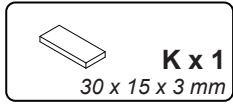
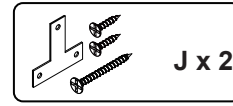
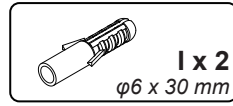
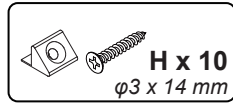
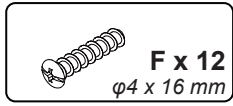
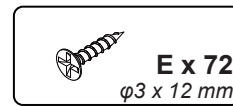
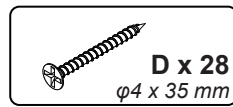
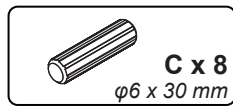
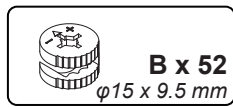
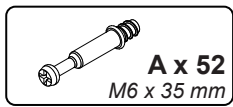
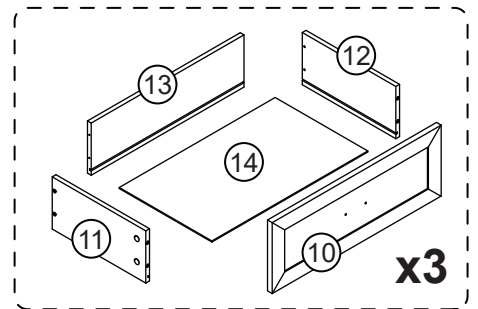
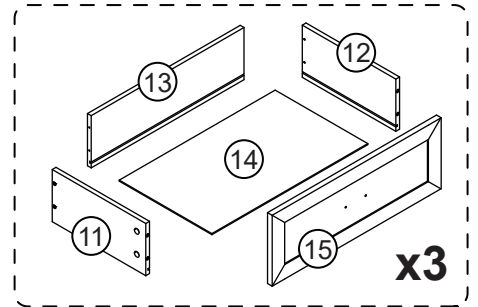
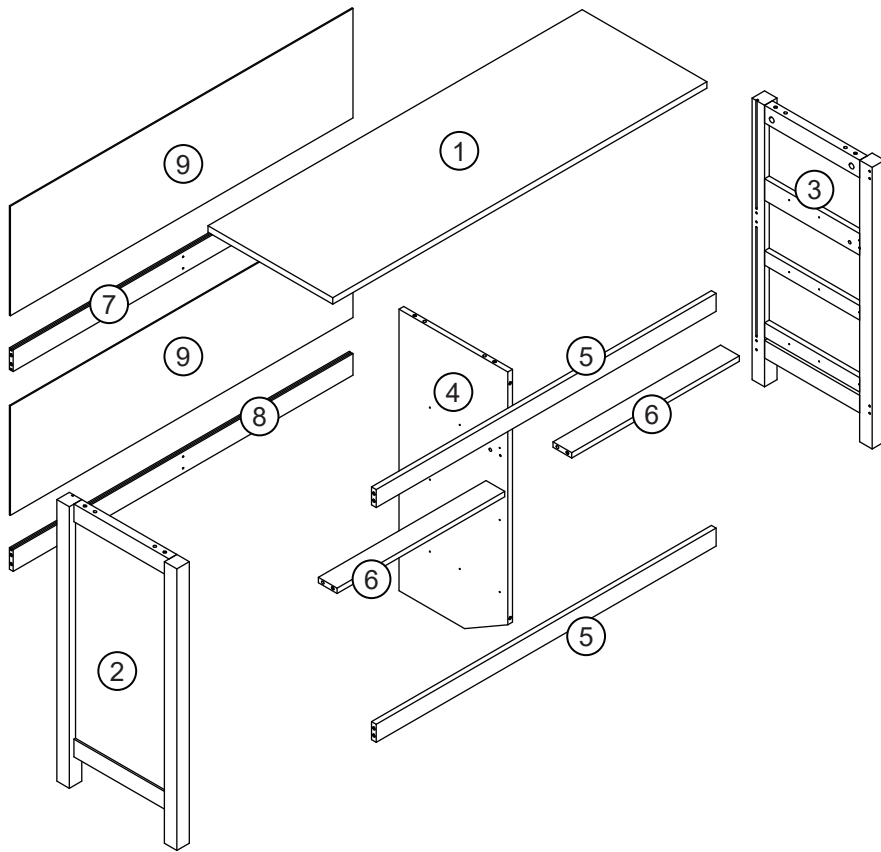


Tools Recommended

IMPORTANT NOTICE

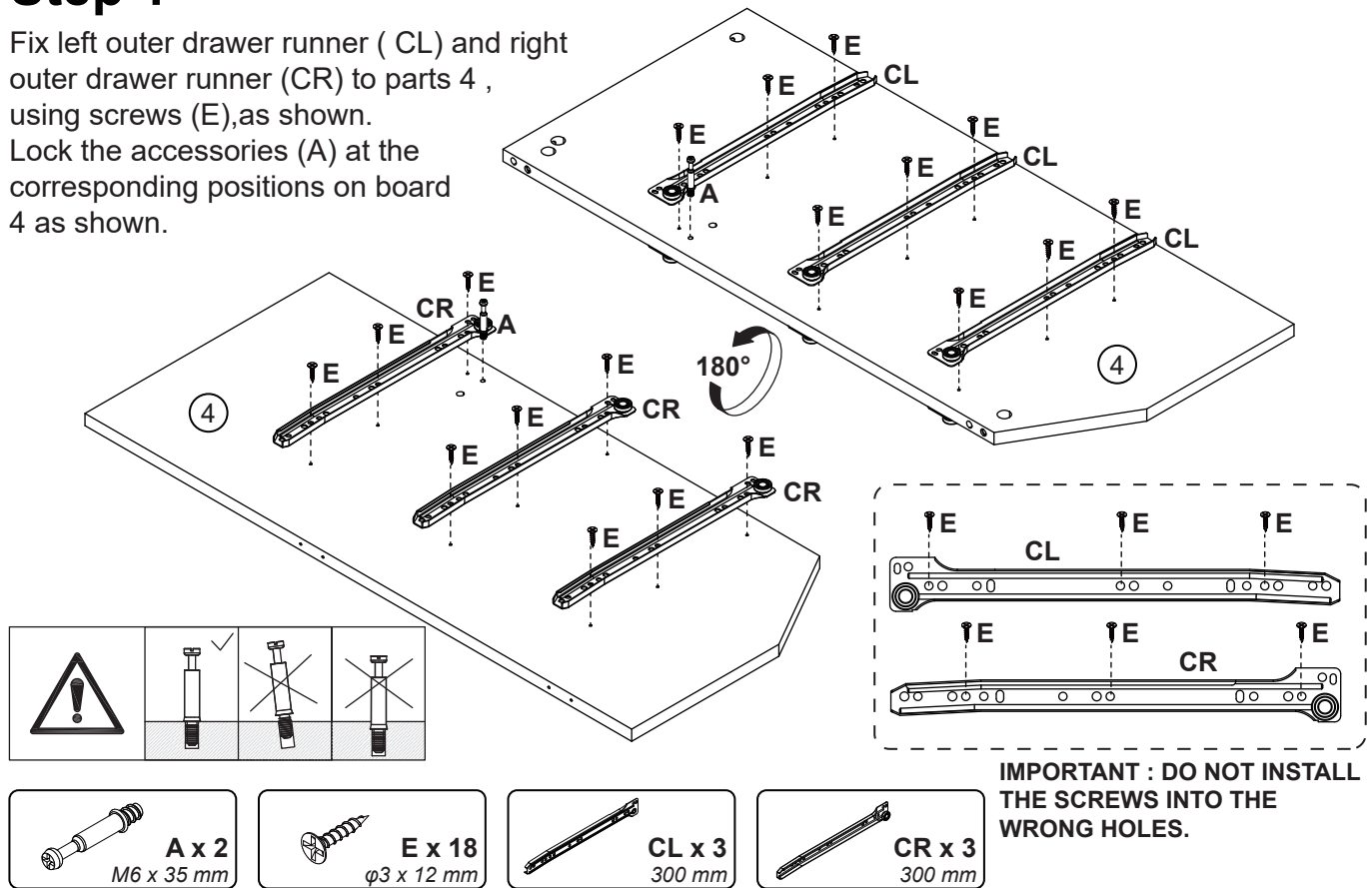
- This product contains small components, please ensure that they are kept away from small children.
- THIS INSTRUCTIONS CONTAINS IMPORTANT SAFETY INFORMATION.
PLEASE READ BEFORE ASSEMBLY AND KEEP FOR FUTURE REFERENCE.
- Read each step carefully. It is very important that each step of instruction is performed in the correct order. If these steps are not followed in sequence, assembly difficulties will occur.
- Make sure all parts are included. Most parts are labelled or stamped on the raw edge.
- Work in spacious area, preferably on a carpet, near the place the unit will be used.
- Do not use power tools to assemble your furniture. Power tools may strip or damage the parts.
- Move your new furniture carefully, with two people lift and carry the unit to it's new location.
- Never push, drag or pull your furniture (especially on carpet)

 WARNING	
	<p>Children have died from furniture tipover. To reduce the risk of furniture tipover:</p> <ul style="list-style-type: none">• ALWAYS install tipover restraint provided.• NEVER put a TV on this product.• NEVER allow children to stand, climb or hang on drawers, doors, or shelves.• NEVER open more than one drawer at a time.• Place heaviest items in the lowest drawers.
	



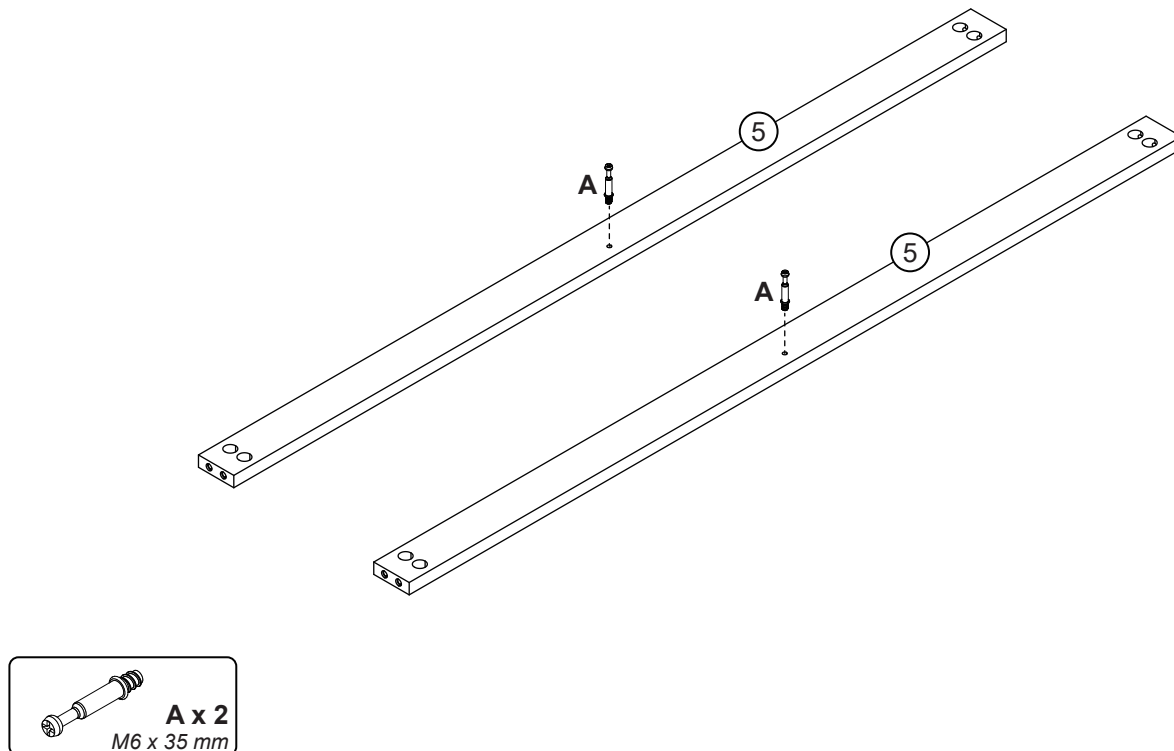
Step 1

Fix left outer drawer runner (CL) and right outer drawer runner (CR) to parts 4, using screws (E), as shown. Lock the accessories (A) at the corresponding positions on board 4 as shown.



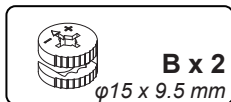
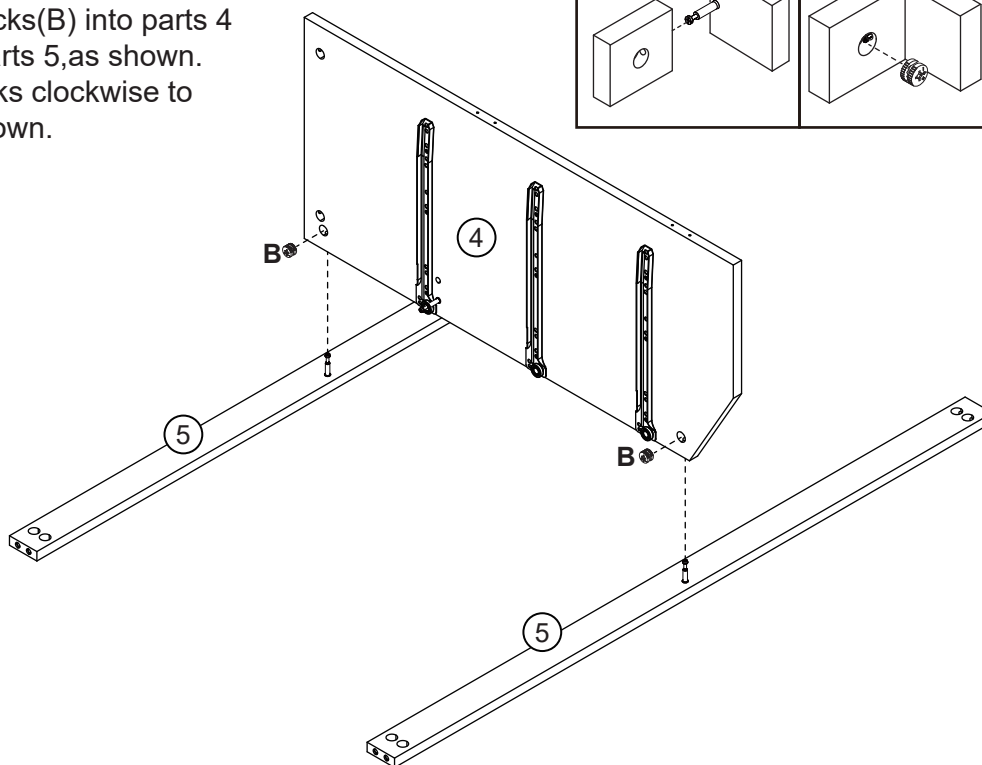
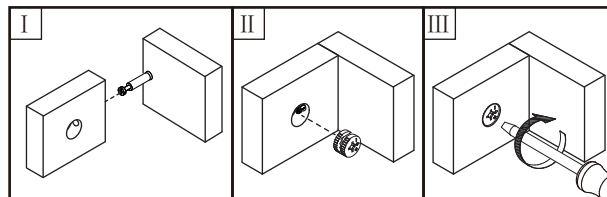
Step 2

Lock the accessories (A) at the corresponding positions on board 5 as shown.



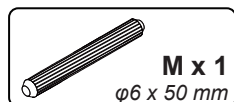
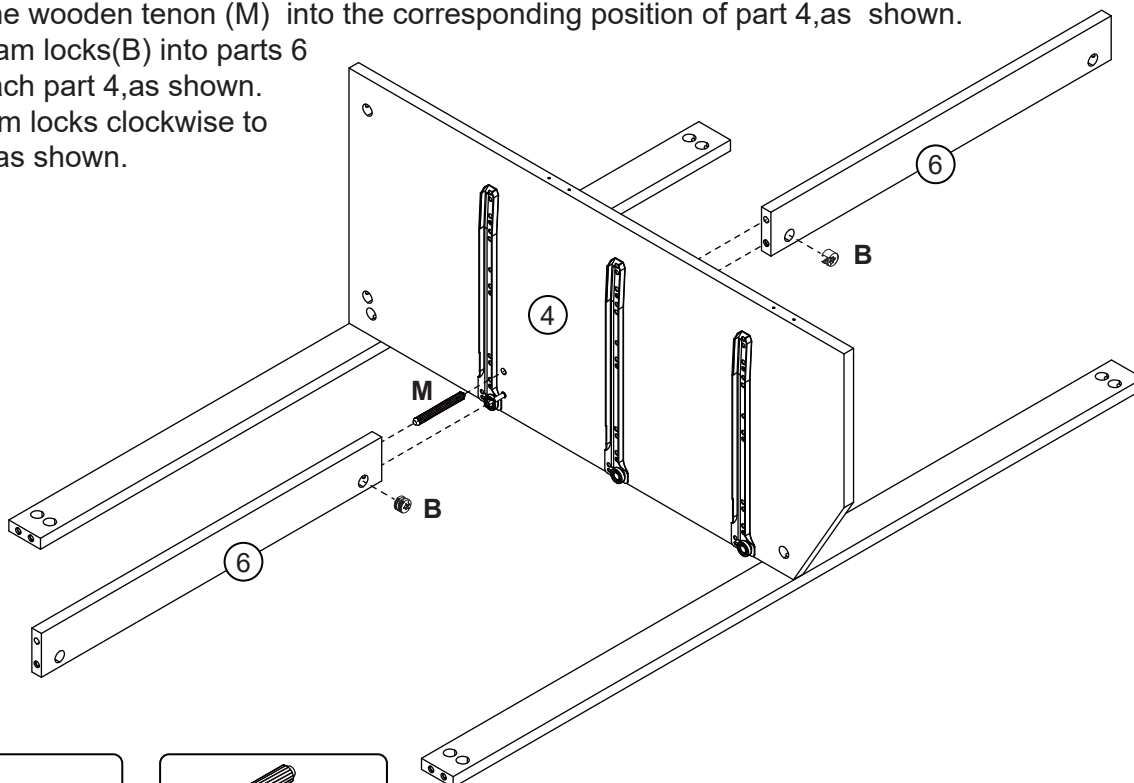
Step 3

Insert cam locks(B) into parts 4 and attach parts 5,as shown. Turn cam locks clockwise to tighten,as shown.



Step 4

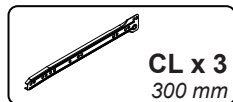
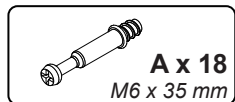
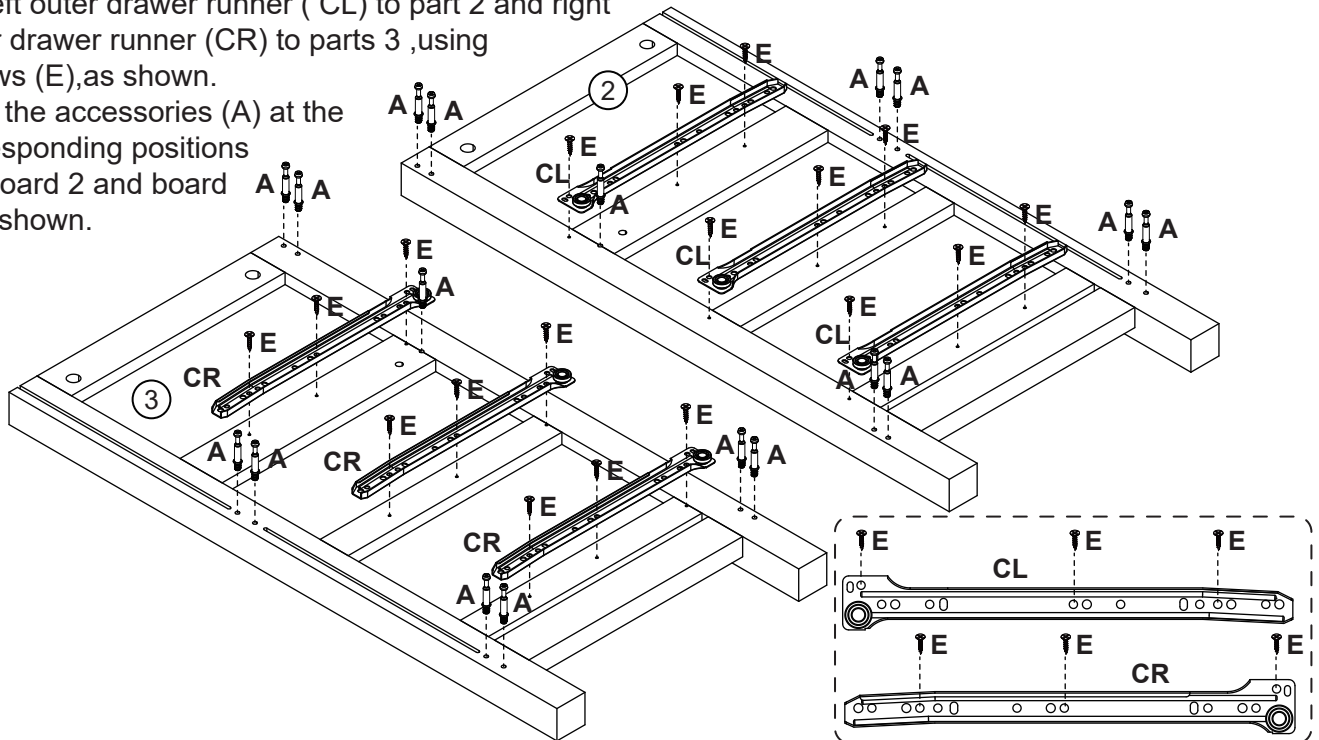
Insert the wooden tenon (M) into the corresponding position of part 4,as shown. Insert cam locks(B) into parts 6 and attach part 4,as shown. Turn cam locks clockwise to tighten,as shown.



Step 5

Fix left outer drawer runner (CL) to part 2 and right outer drawer runner (CR) to parts 3 ,using screws (E),as shown.

Lock the accessories (A) at the corresponding positions on board 2 and board 3 as shown.

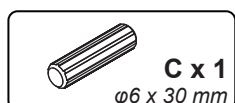
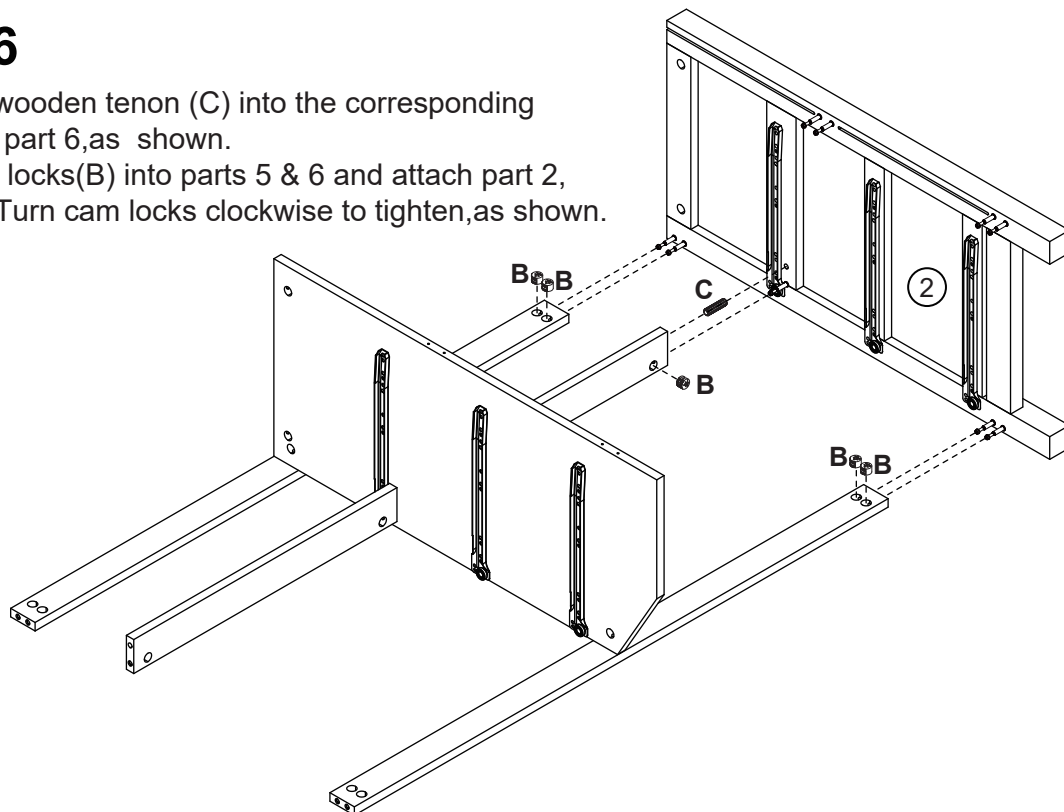


IMPORTANT : DO NOT INSTALL THE SCREWS INTO THE WRONG HOLES.

Step 6

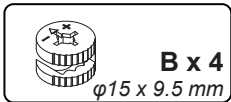
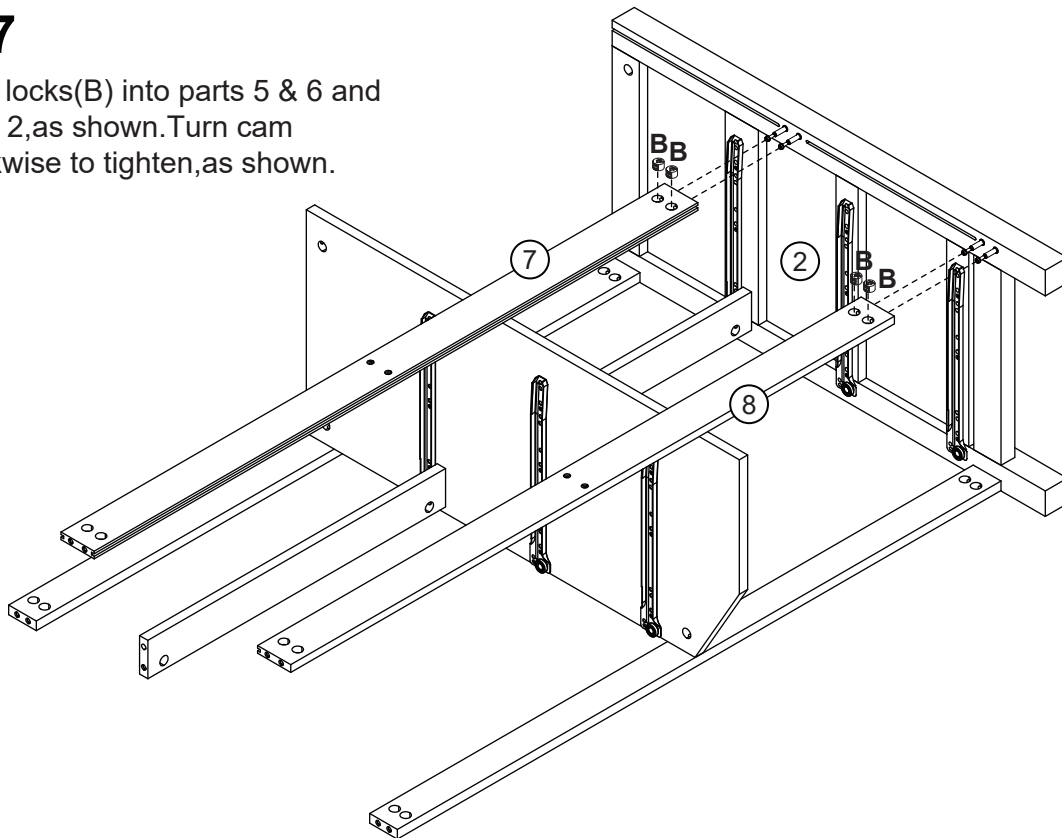
Insert the wooden tenon (C) into the corresponding position of part 6,as shown.

Insert cam locks (B) into parts 5 & 6 and attach part 2, as shown. Turn cam locks clockwise to tighten,as shown.



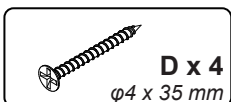
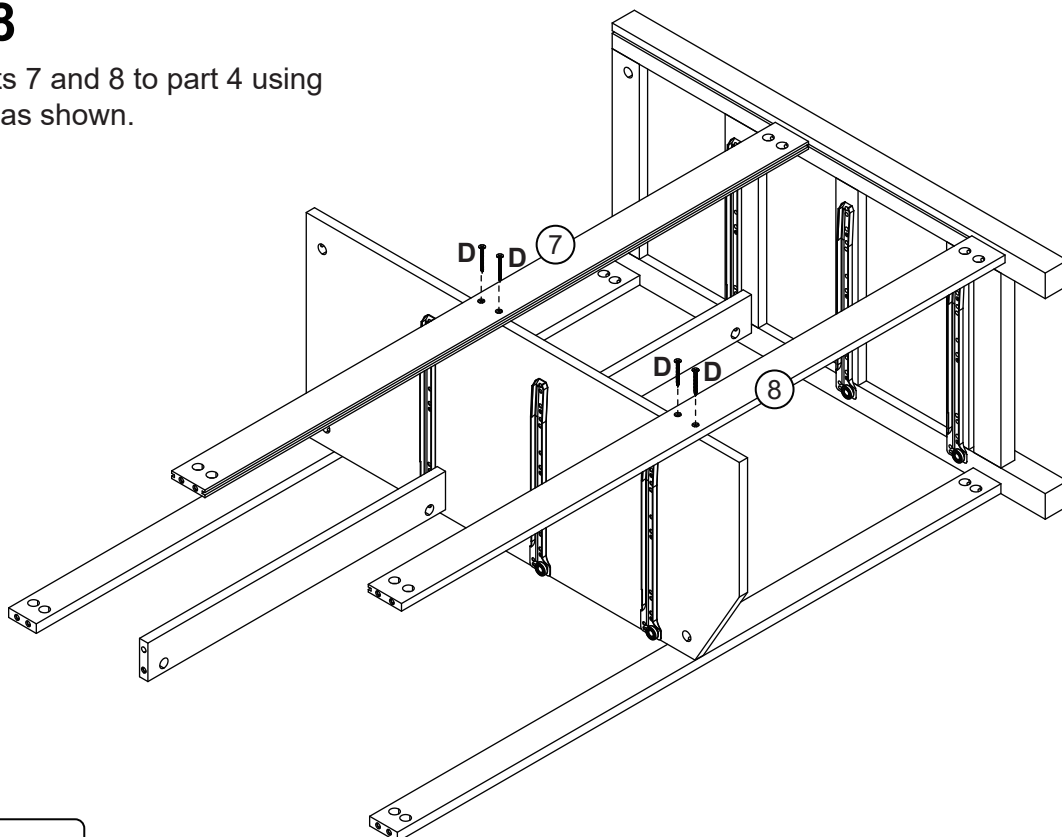
Step 7

Insert cam locks(B) into parts 5 & 6 and attach part 2, as shown. Turn cam locks clockwise to tighten, as shown.



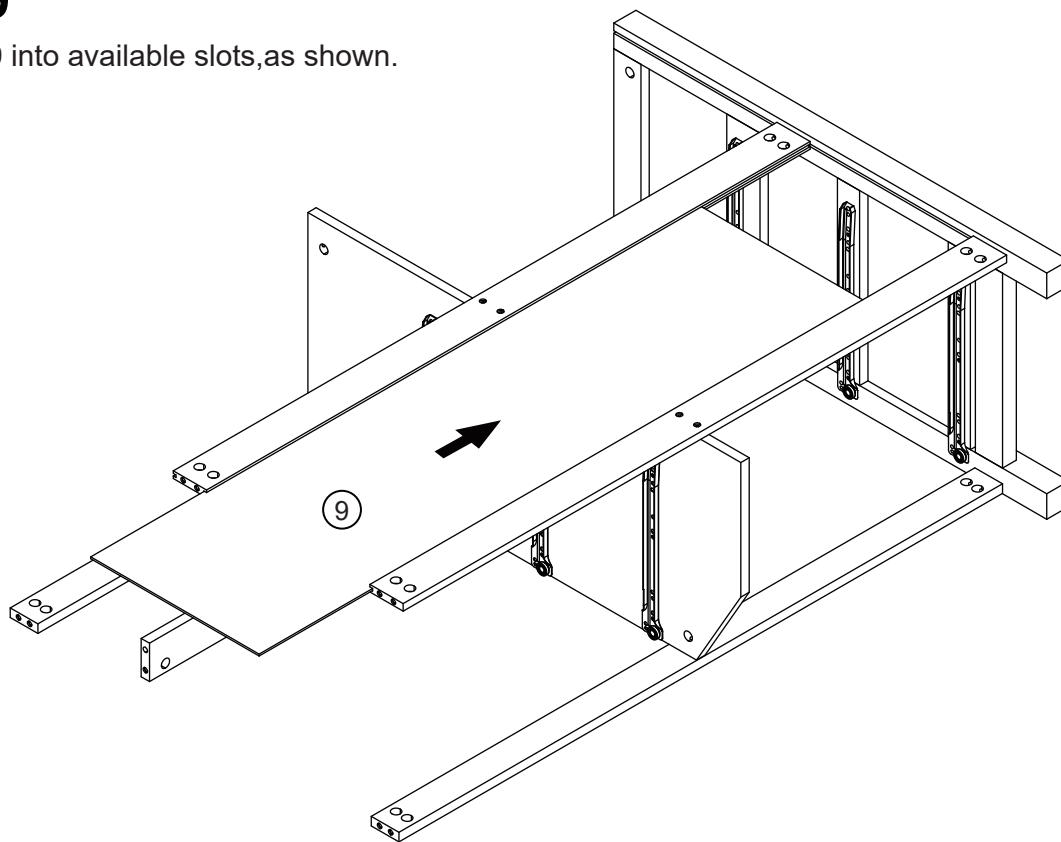
Step 8

Attach parts 7 and 8 to part 4 using screws(D), as shown.



Step 9

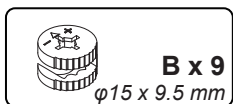
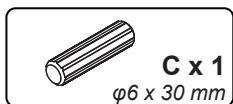
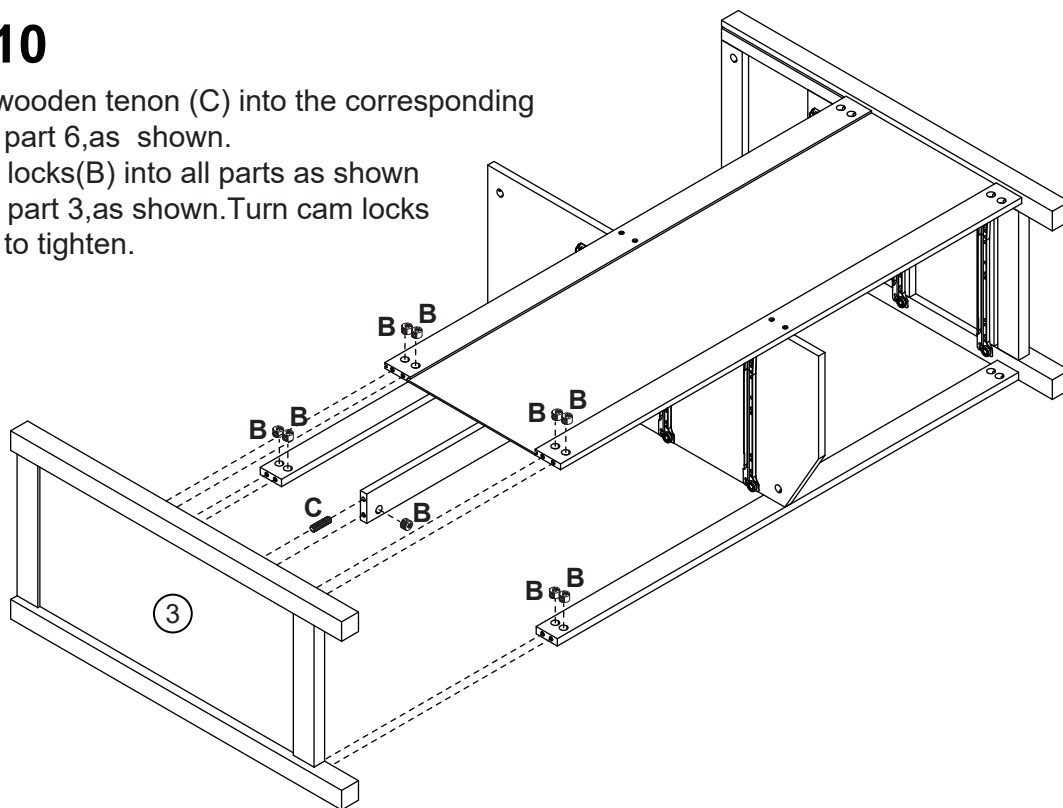
Slide part 9 into available slots, as shown.



Step 10

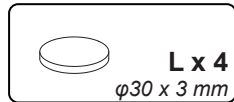
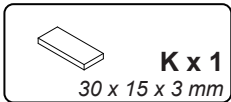
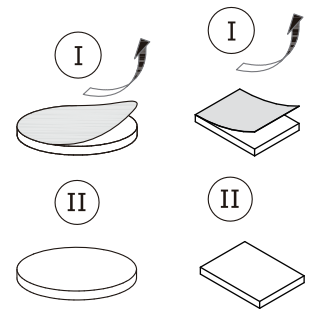
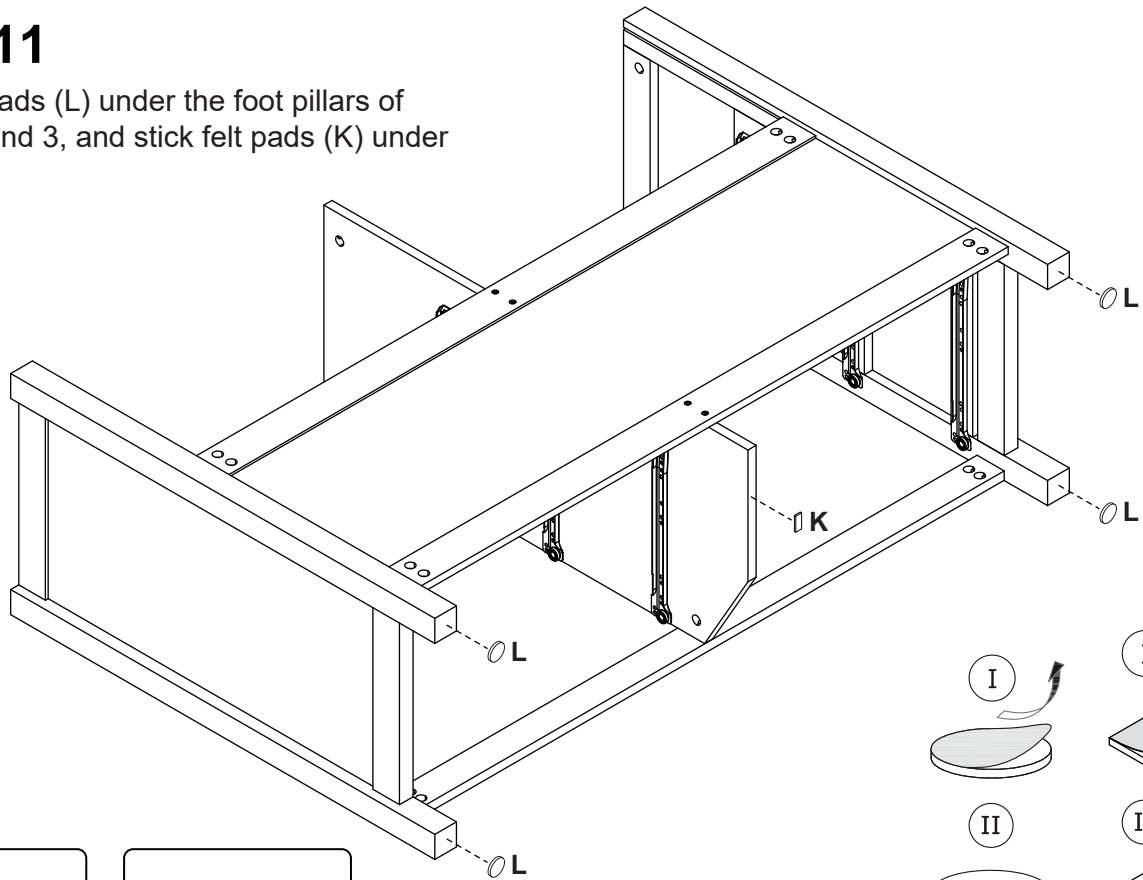
Insert the wooden tenon (C) into the corresponding position of part 6, as shown.

Insert cam locks (B) into all parts as shown and attach part 3, as shown. Turn cam locks clockwise to tighten.



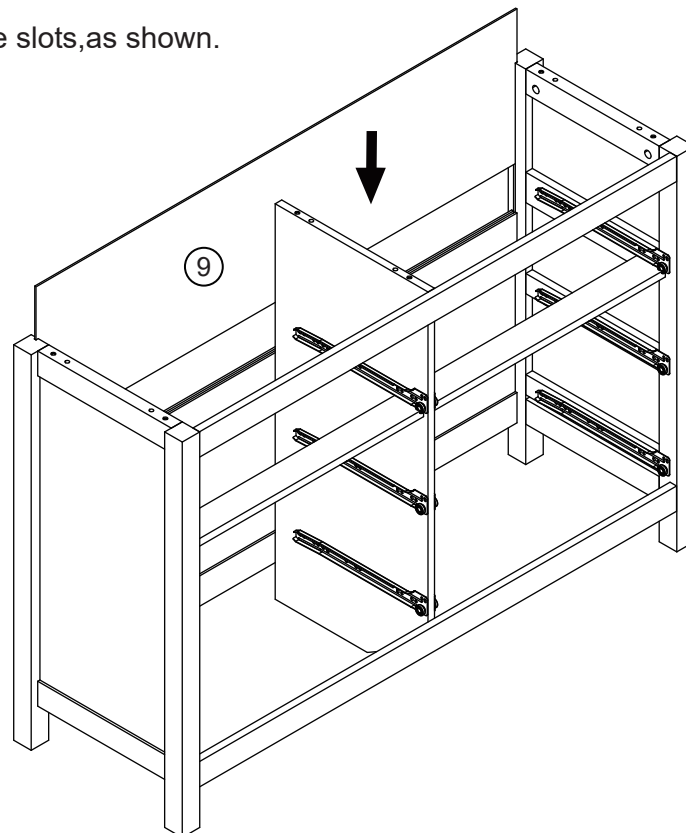
Step 11

Stick felt pads (L) under the foot pillars of boards 2 and 3, and stick felt pads (K) under board 4.



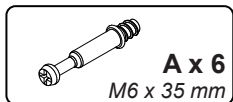
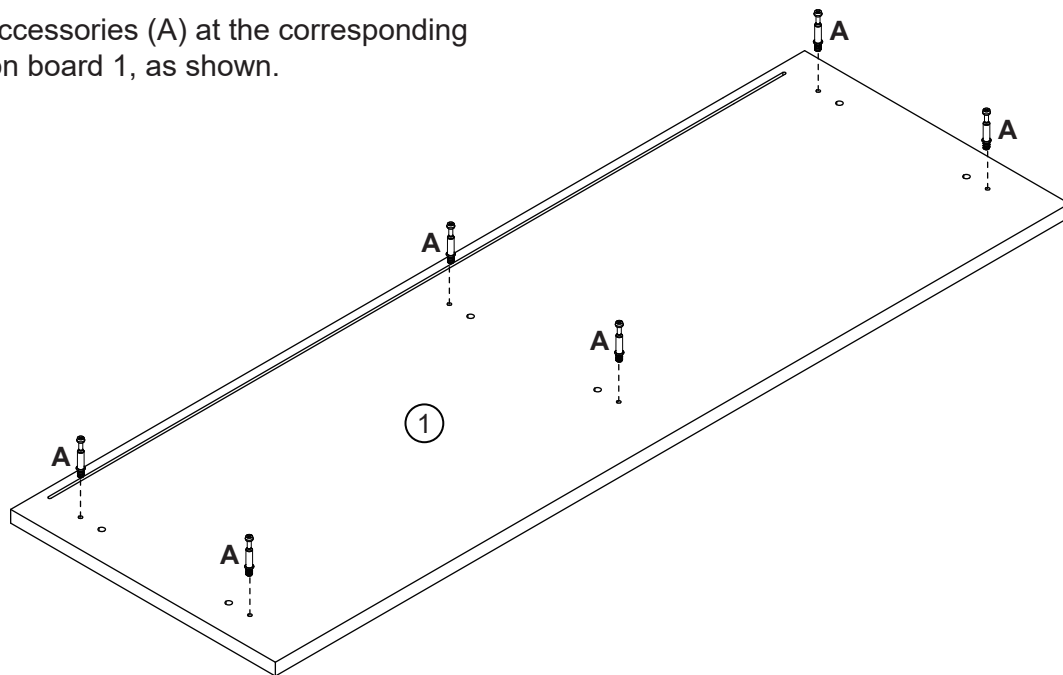
Step 12

Slide part 9 into available slots, as shown.



Step 13

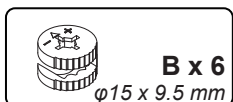
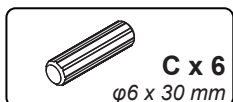
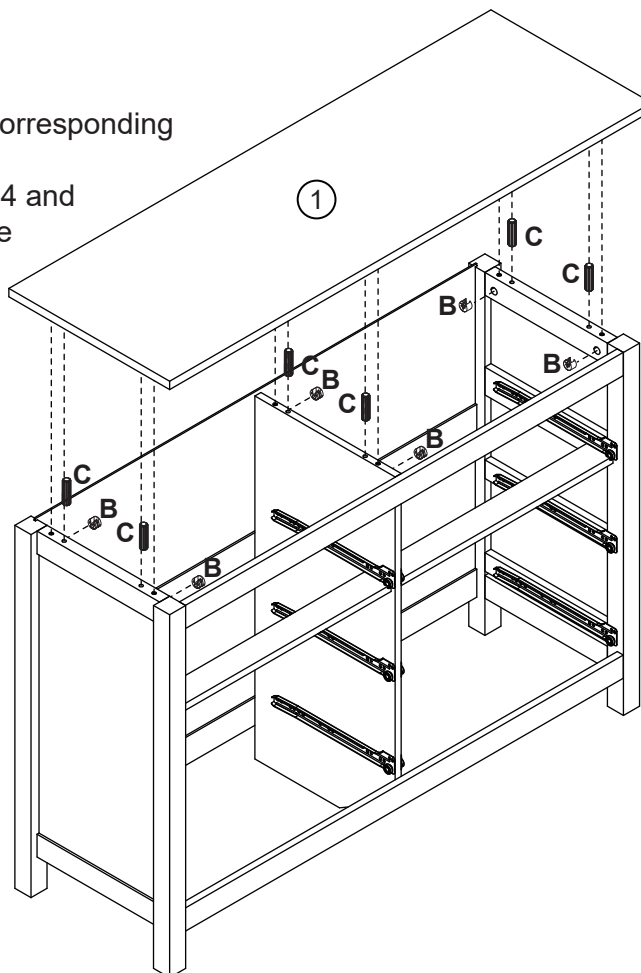
Lock the accessories (A) at the corresponding positions on board 1, as shown.



Step 14

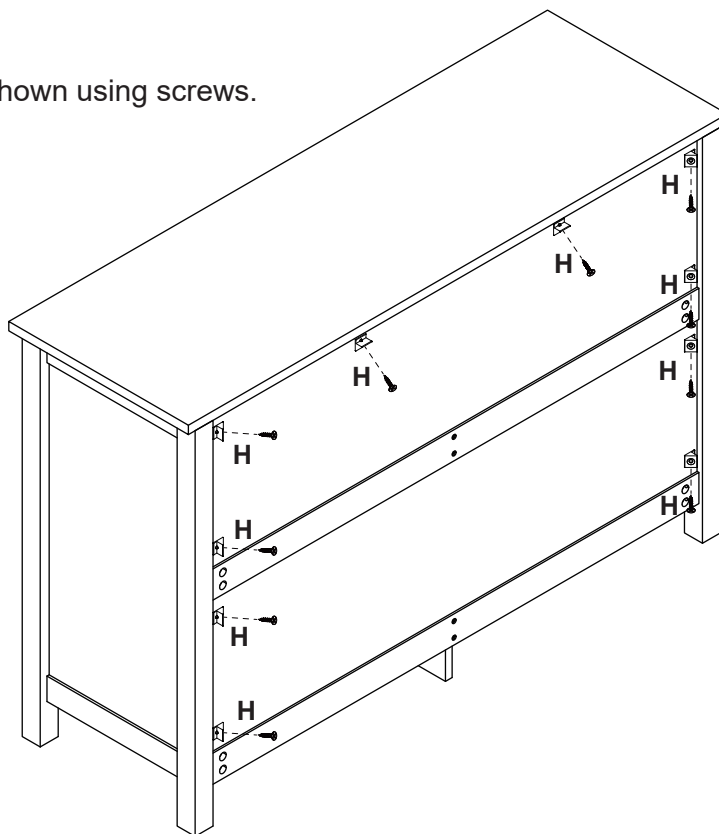
Insert the wooden tenon (C) into the corresponding position as shown.

Insert cam locks (B) into parts 2 & 3 & 4 and attach part 1, Turn cam locks clockwise to tighten.



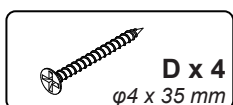
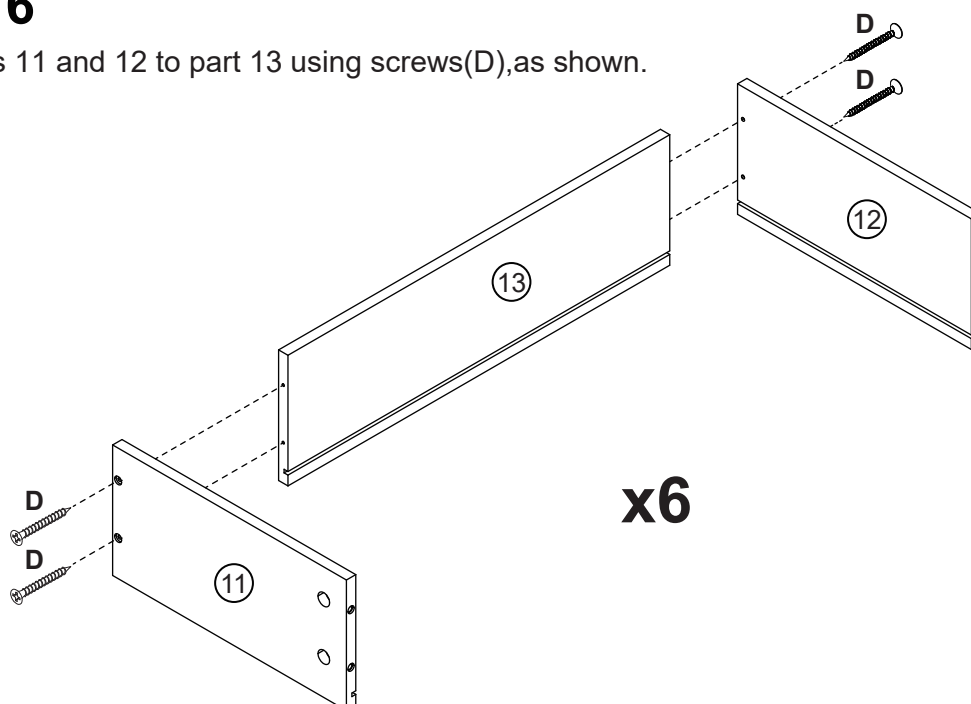
Step 15

Attach wedges (H) as shown using screws.



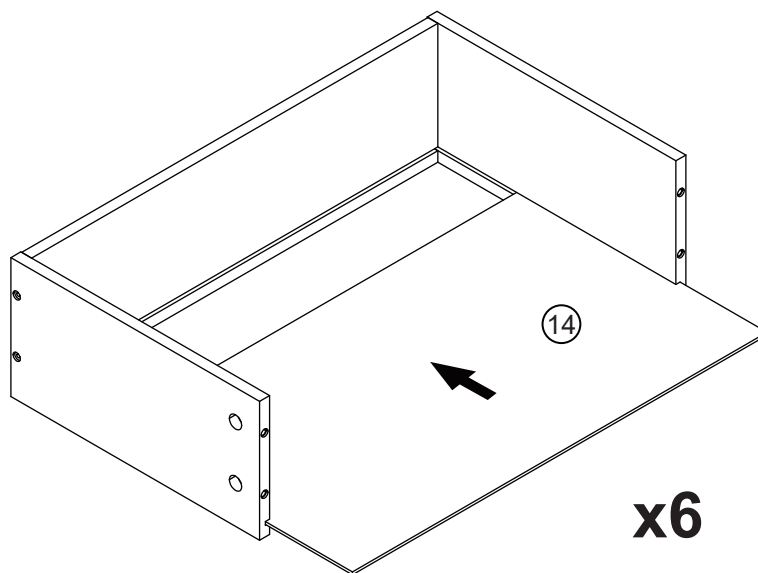
Step 16

Attach parts 11 and 12 to part 13 using screws (D), as shown.



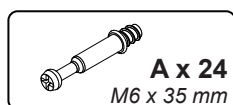
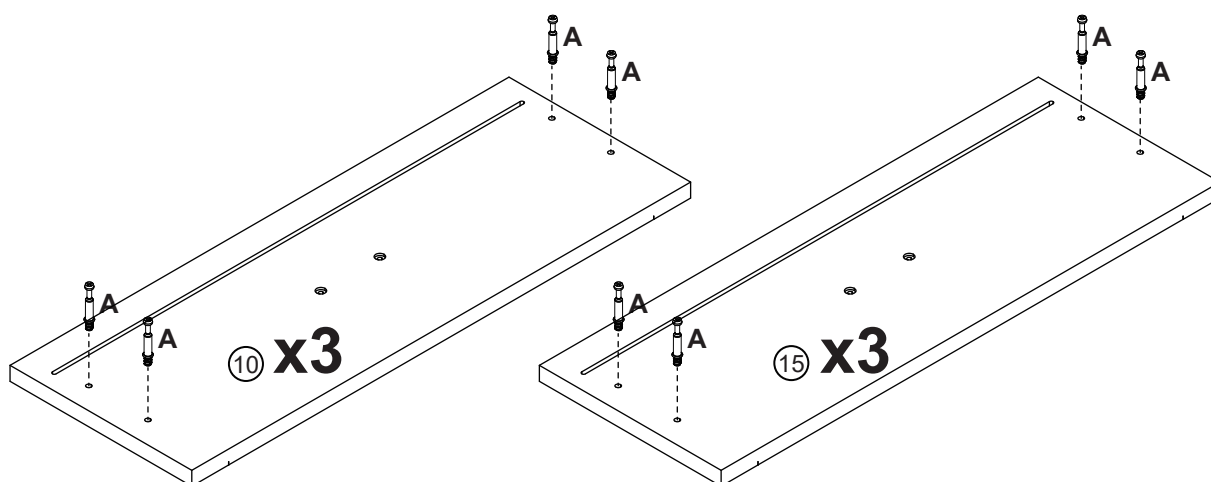
Step 17

Slide part 14 into available slots as shown.



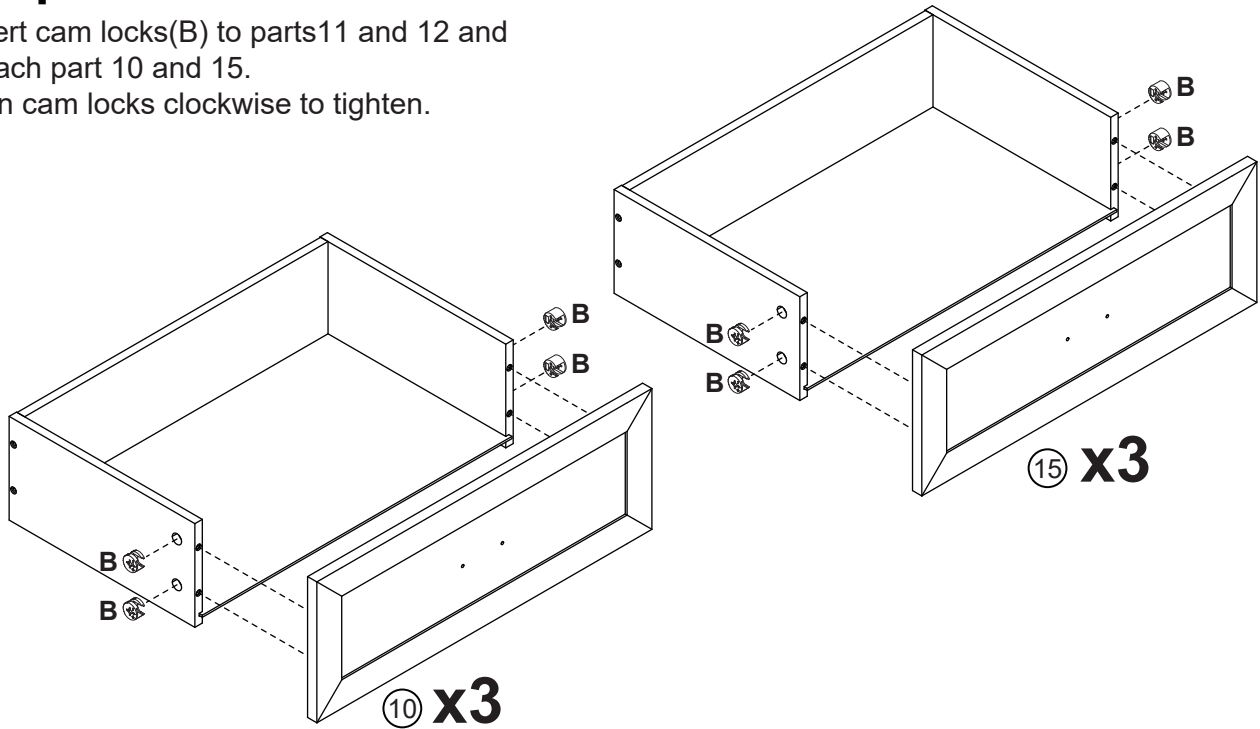
Step 18

Insert quickfit screws(A) into corresponding holes in parts 10 and 15 as shown.



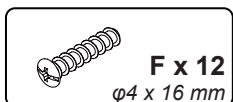
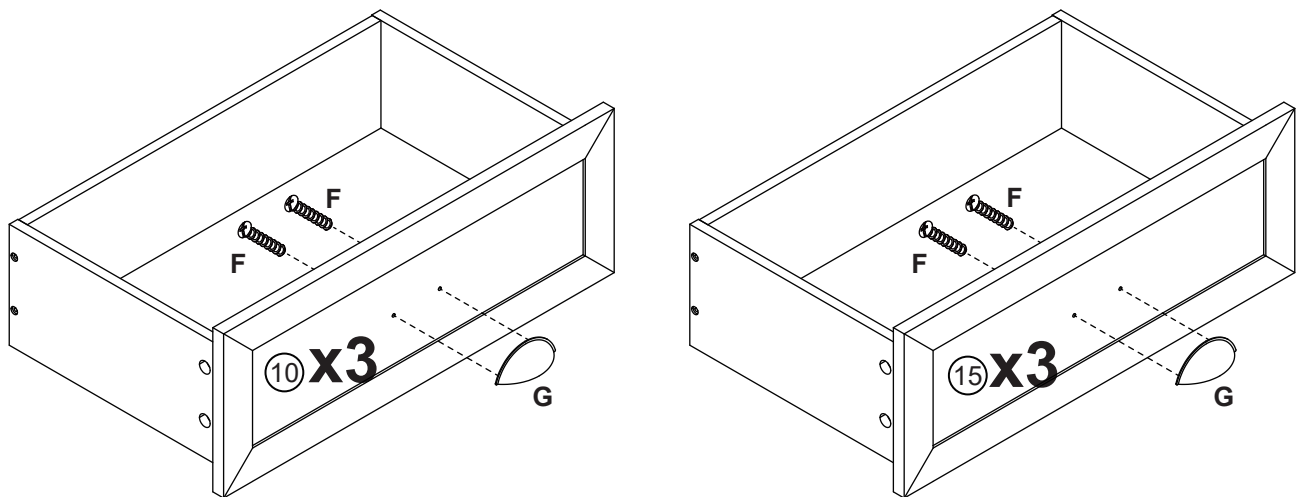
Step 19

Insert cam locks(B) to parts 11 and 12 and attach part 10 and 15.
Turn cam locks clockwise to tighten.



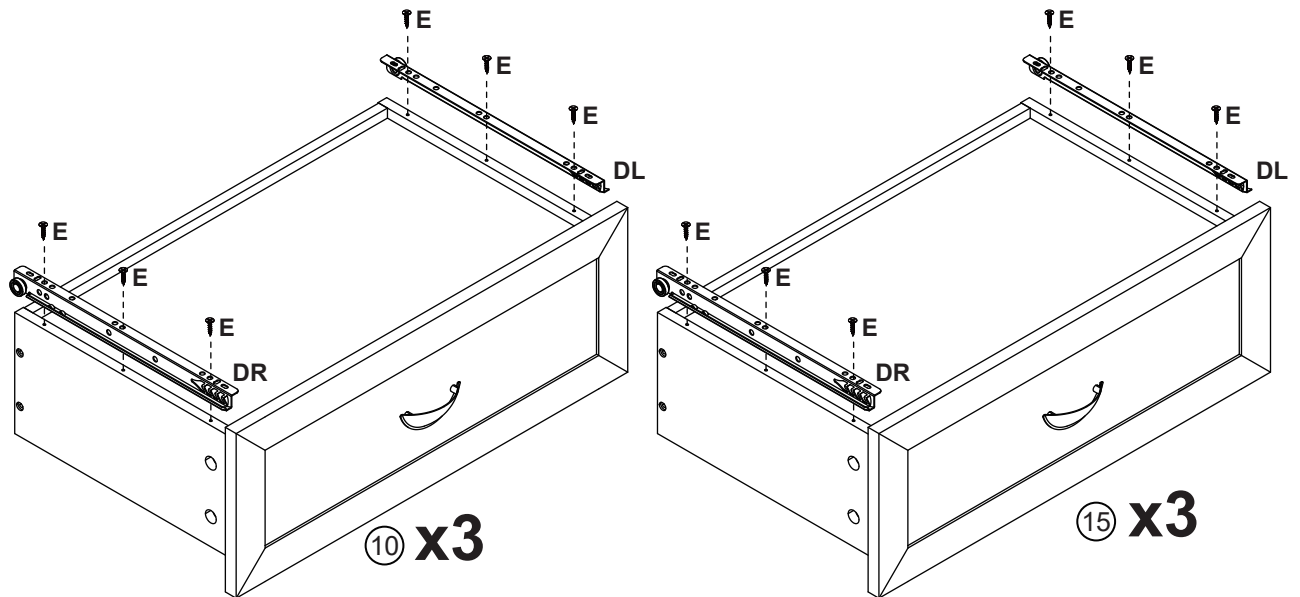
Step 20

Fix handle (G) to part 10 and 15 using bolts(F), as shown.



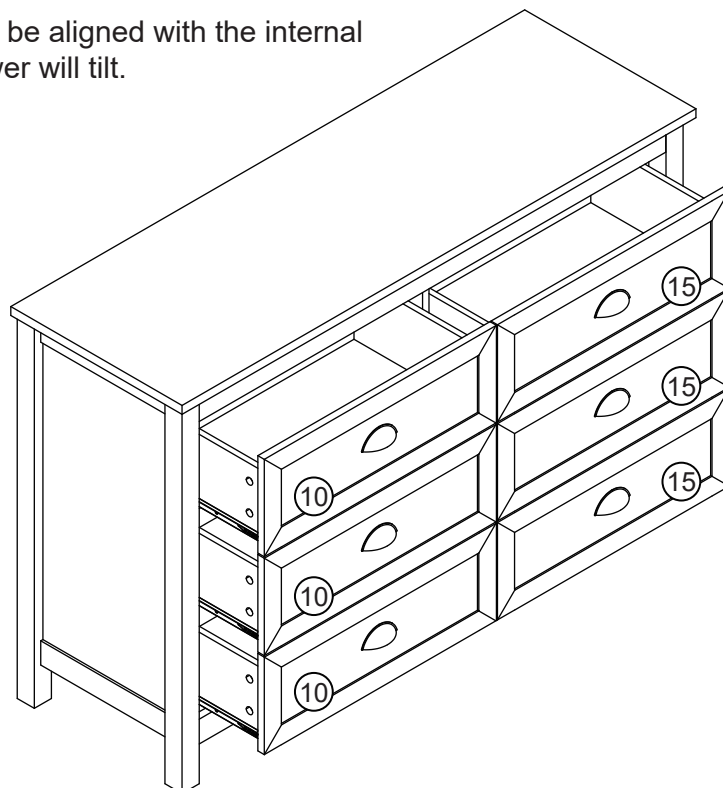
Step 21

Fix left inner drawer runner (DL) to part 11 and fix right inner drawer runner (DR) part 12 using screws (E),as shown.



Step 22

The drawer slides must be aligned with the internal rails, otherwise the drawer will tilt.



Step 23

Install anti-tipping device as shown.

