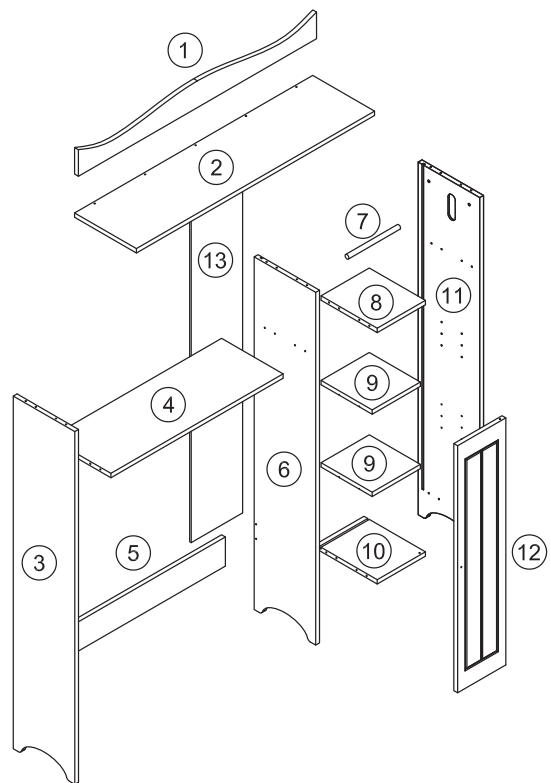
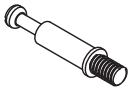

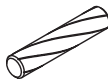




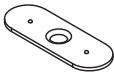
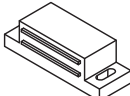

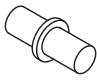


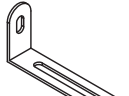





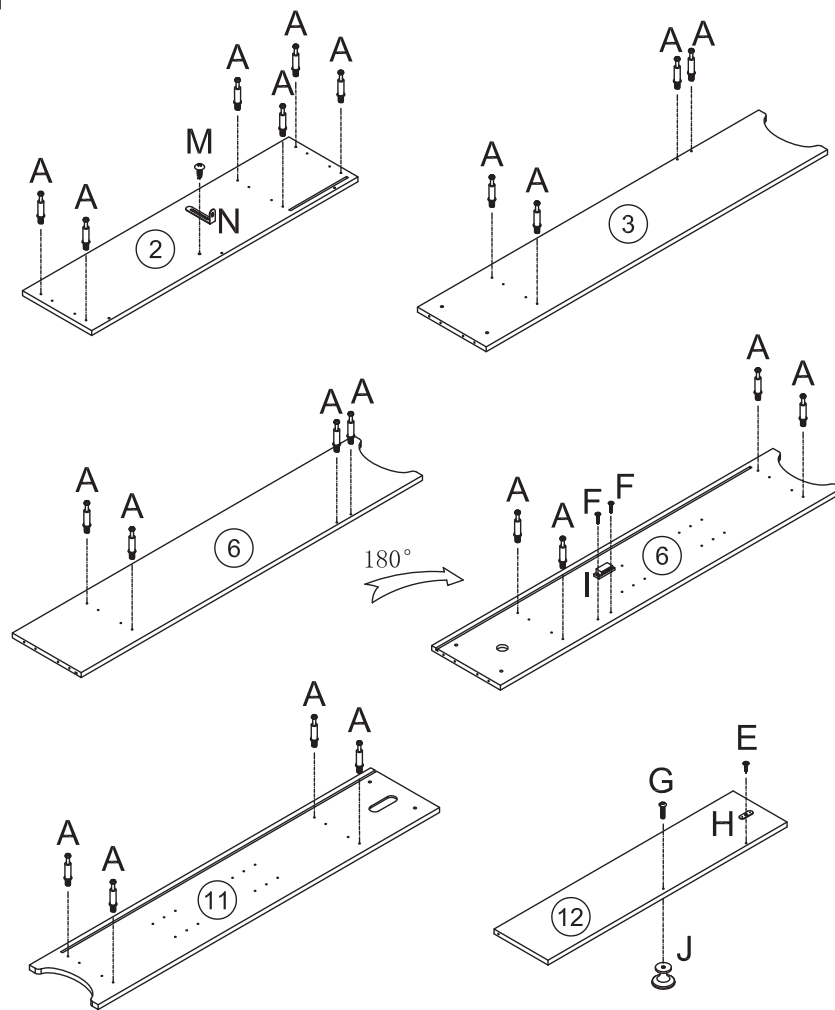
**USER'S MANUAL**

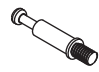





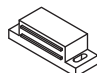



**Storage Rack**



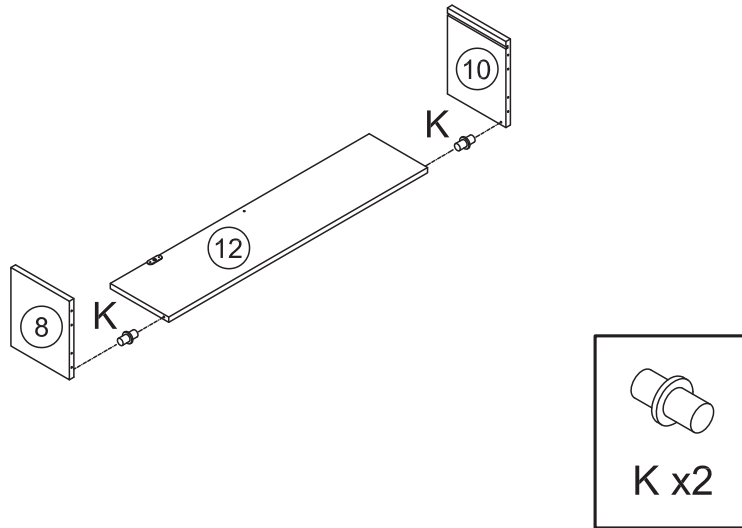
 A x22	 B x22	 C x20	 4x35mm D x3	 3x10mm E x1	 3x14mm F x6
 4x14mm G x1	 3x10mm H x1	 I x1	 J x1	 K x2	 L x8
 4x12mm M x1	 N x1	 4x35mm O x1	 P x1	 Q x4	

1

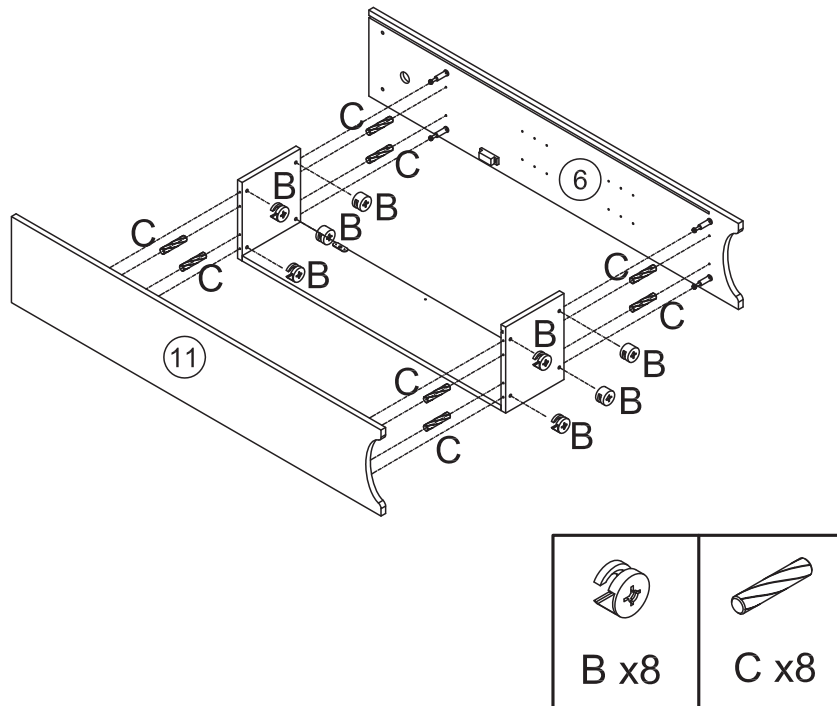


 A x22	 E x1	 F x2	 G x1	 H x1
 H x1	 I x1	 J x1	 M x1	 N x1

2

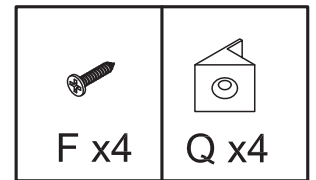
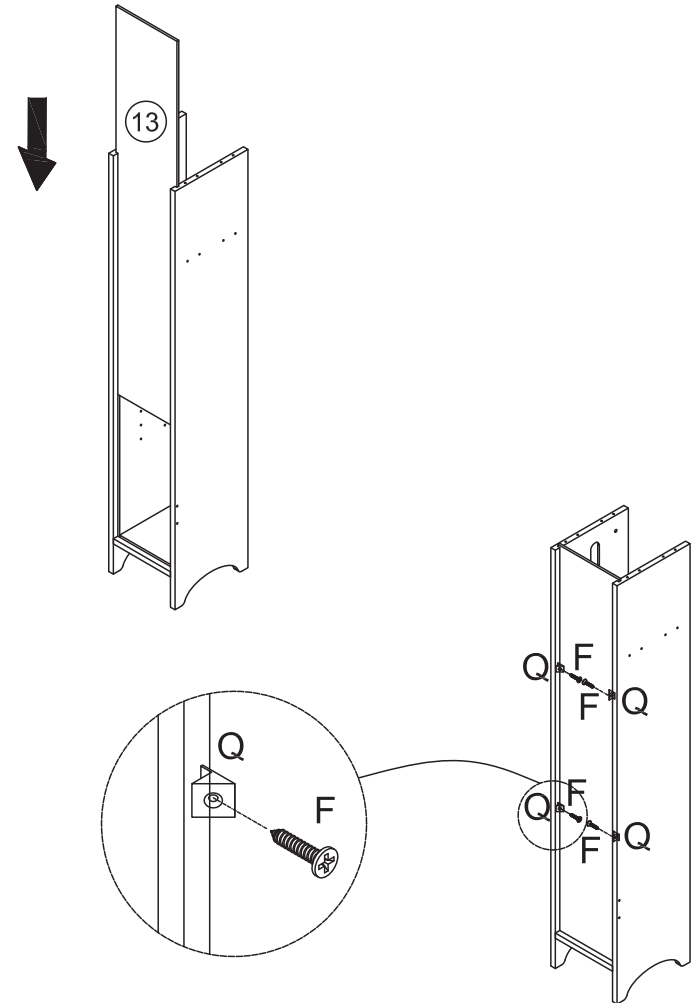


3



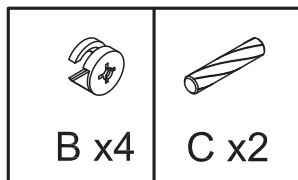
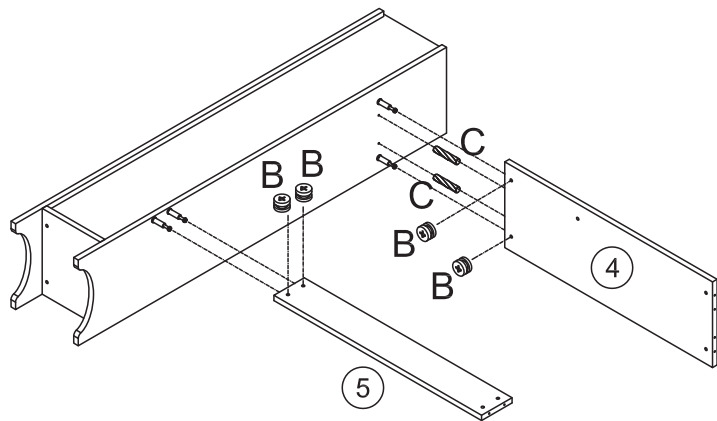
04

4

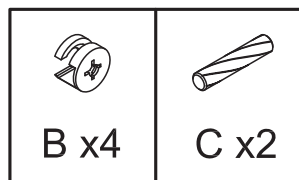
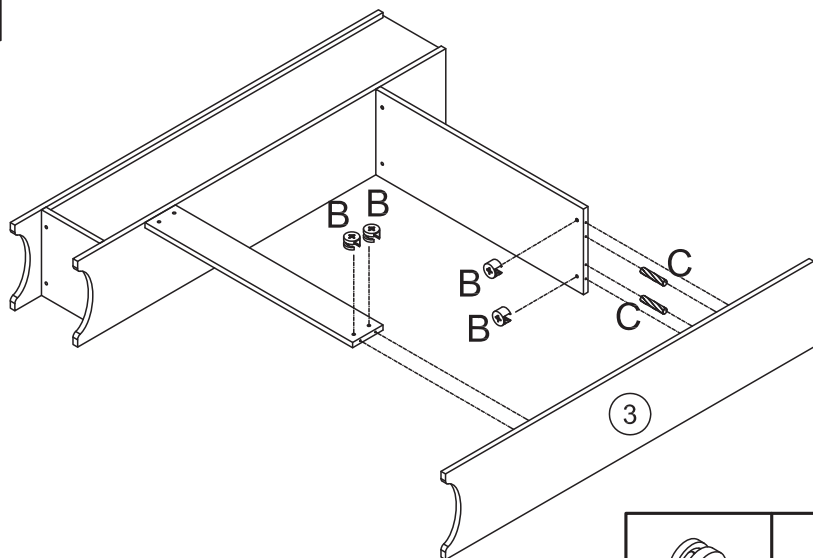


05

5

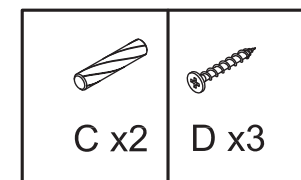
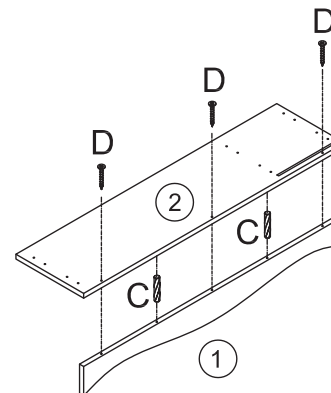


6

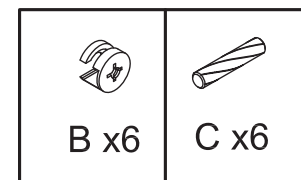
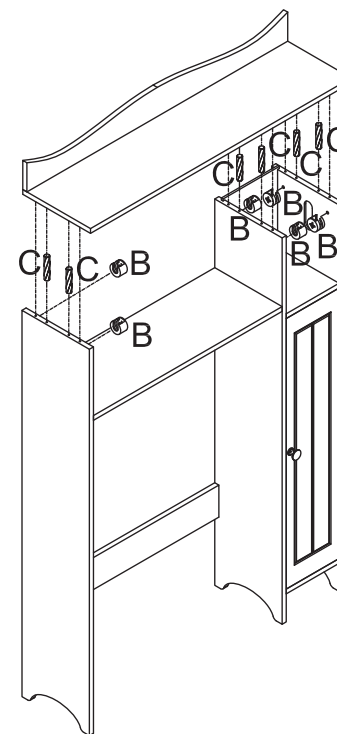


06

7

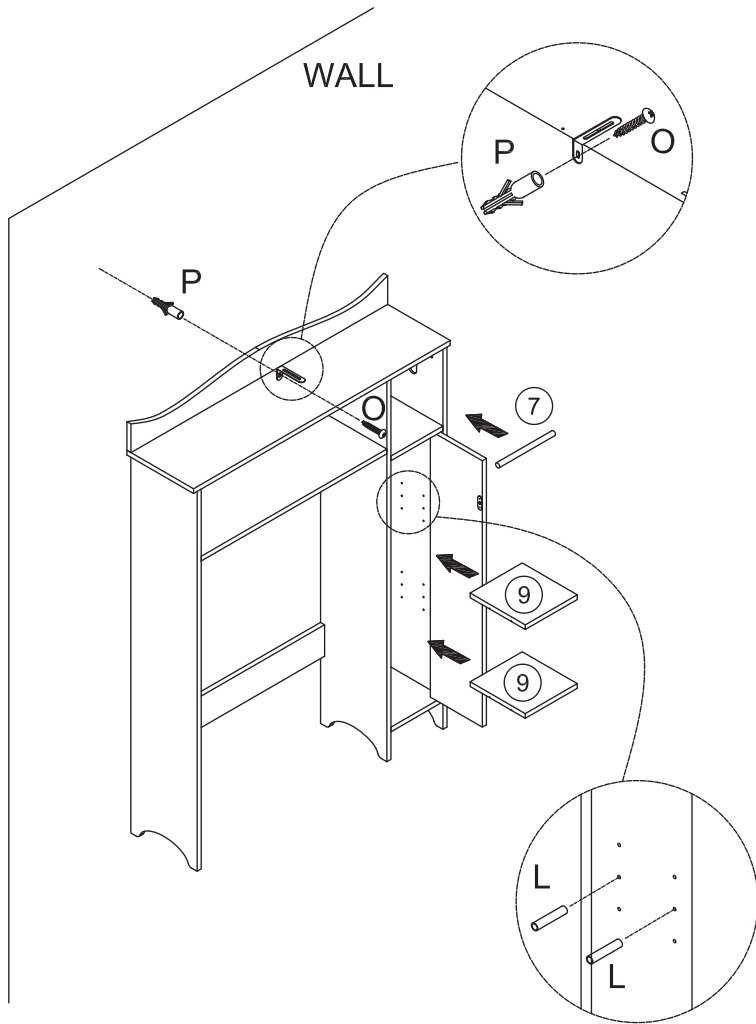


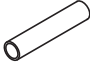


8



07

9



		
L x8	O x1	P x1