

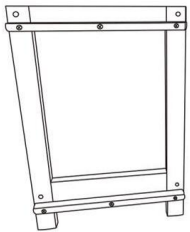
Assembly Instructions



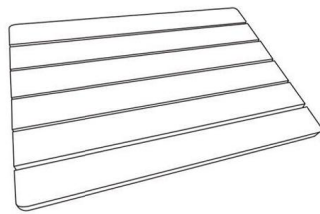
Parts List

Hardware List

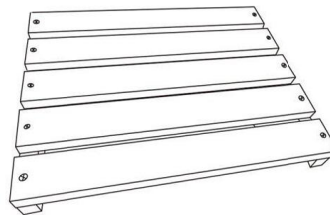
① 2pcs



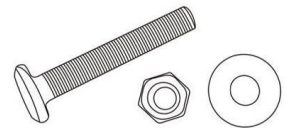
② 1pc



③ 1pc



A 8*55mm 8pcs



Tool



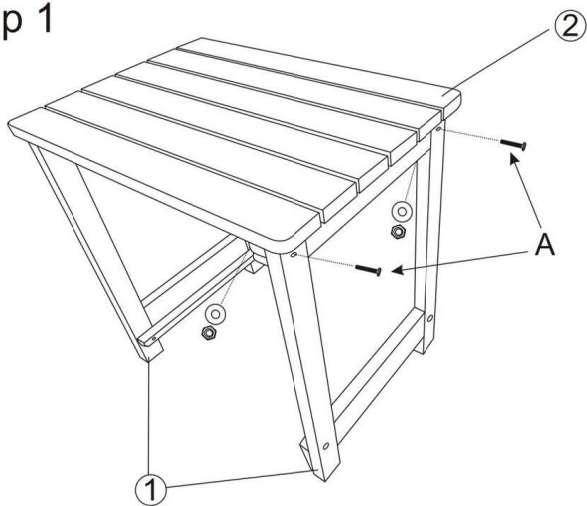
1pc



1pc

Assembly Instruction

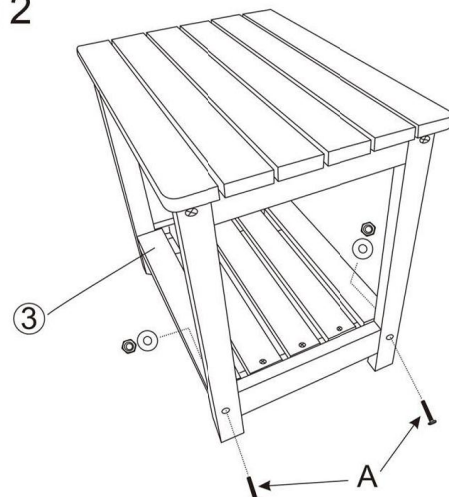
step 1



Do not fasten bolts at this step.

A = 4pcs

step 2



Fasten all bolts and screws.

A = 4pcs