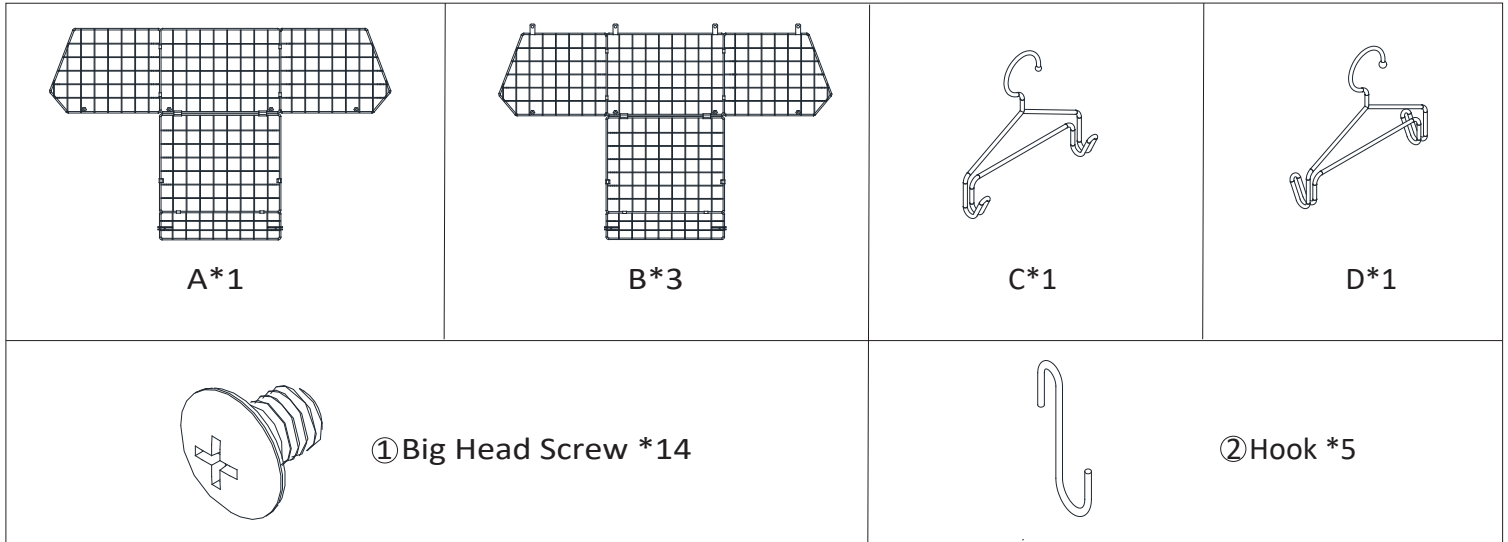


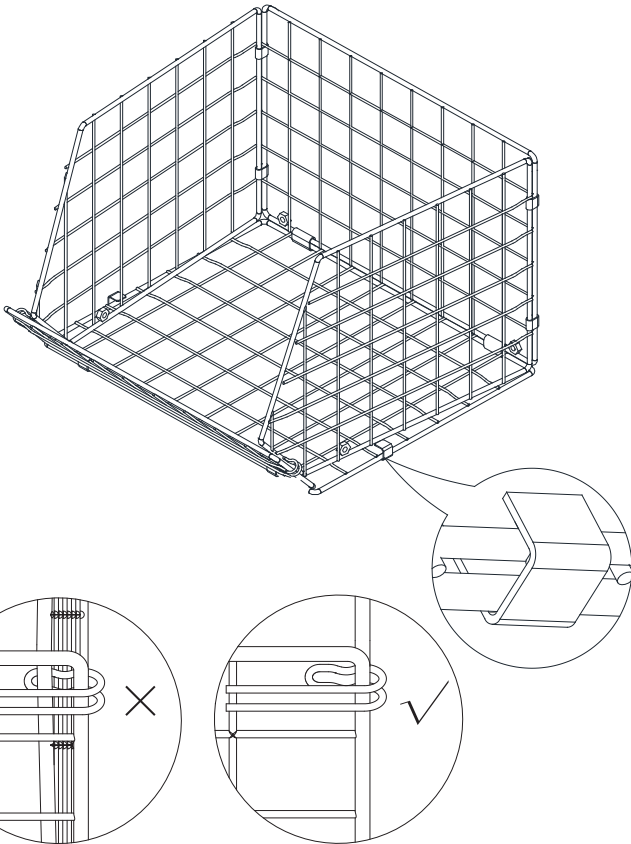
Hanging Closet Basket Organizer Installation Instructions

Accessories include

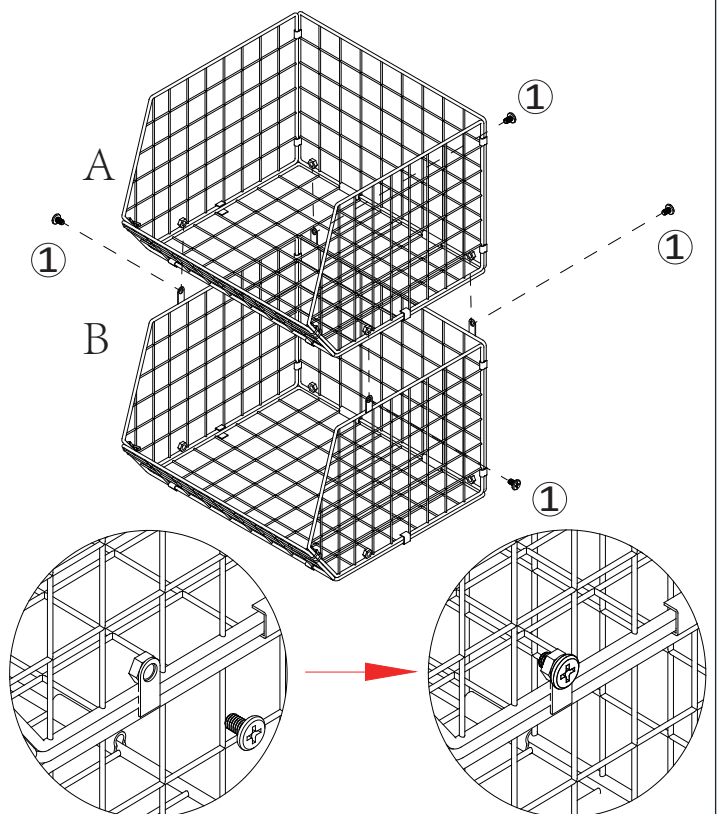


Installation steps (First Using Method)

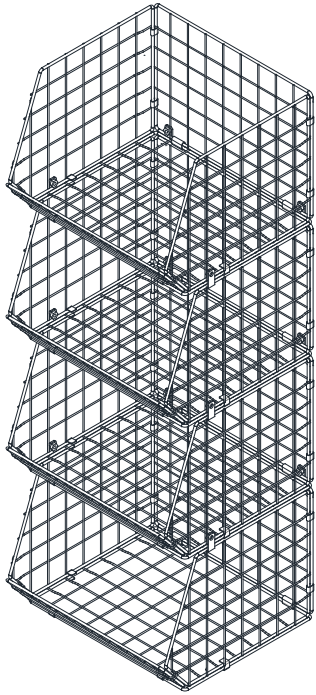
1. Align the bottom and snap the sides into the bottom and front clips, then pull firmly to lock. (Repeat for both basket types A and B.)



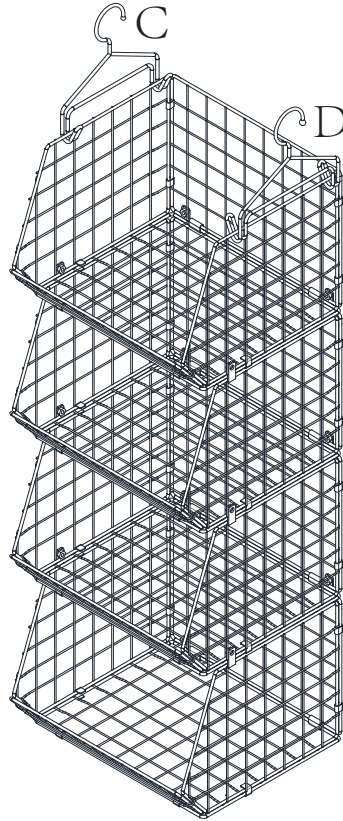
2. Use screws ① to connect all baskets A and B. (Note: Initially, only loosely secure all screws. Tighten them fully only after all screws are in place to avoid misalignment.)



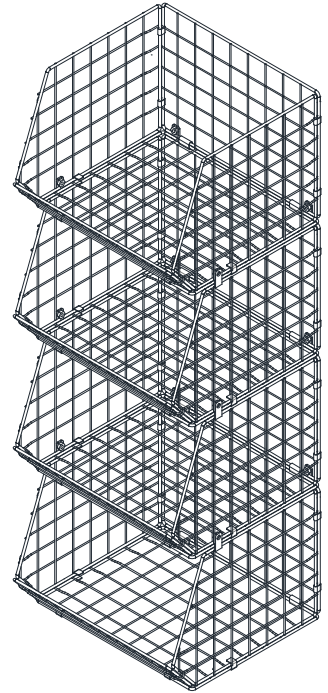
3. Complete the assembly of all baskets.



4.1 Use hooks CD to hang the basket on a wardrobe or other rod.



4.2 Alternatively, remove the hooks and place it directly on a flat surface for use.



Installation steps (Second Using Method)

Each basket is assembled in the same way as step 1 of the first use method.
Each basket is easy to use individually, and you can DIY the use and combination method.

