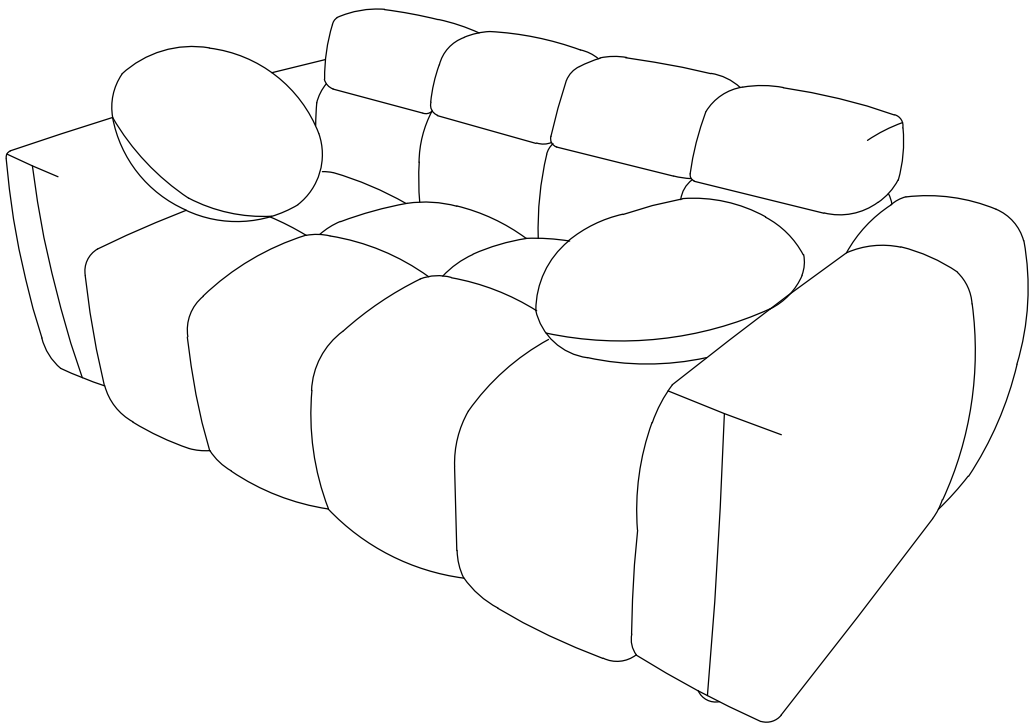
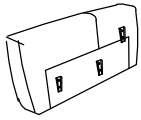


ASSEMBLY INSTRUCTIONS

————— Thank you for choosing our product!

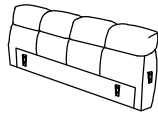


Right Armrest



A X1

Backrest



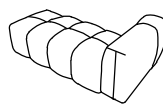
B X1

Left Armrest



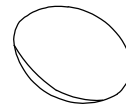
C X1

Sofabase



D X1

Pillow



E X2

Leg

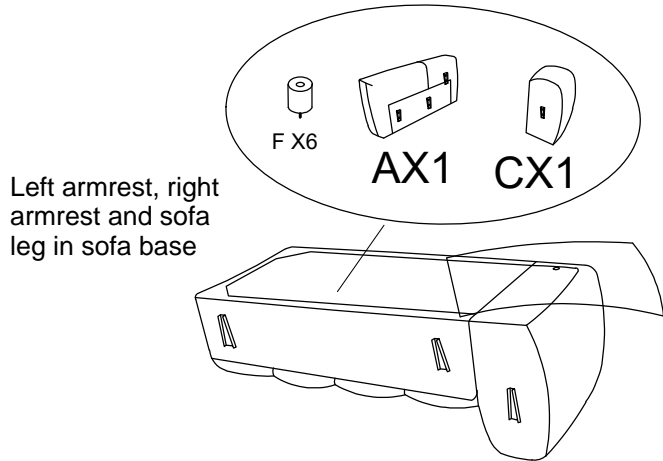


F X6

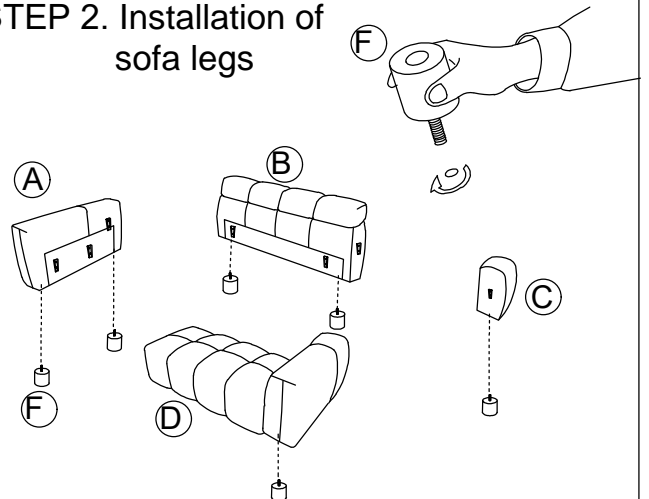
One packing cartons. 1/1: (A+C)+B+D+E+F

Friendly reminder:
Please assemble the product in the order of steps as shown below

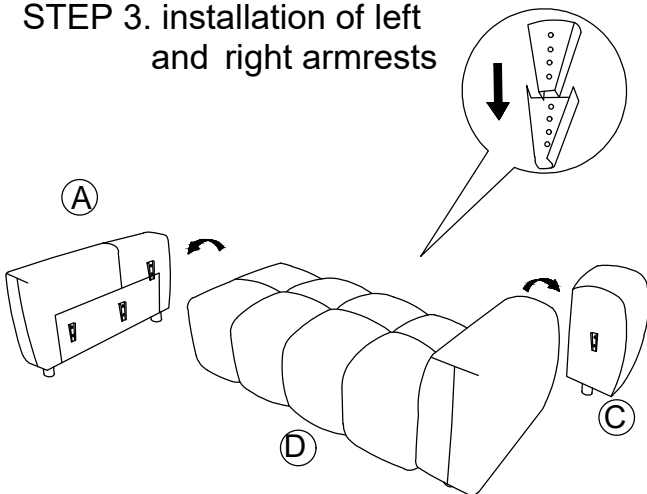
STEP 1. Take out all parts



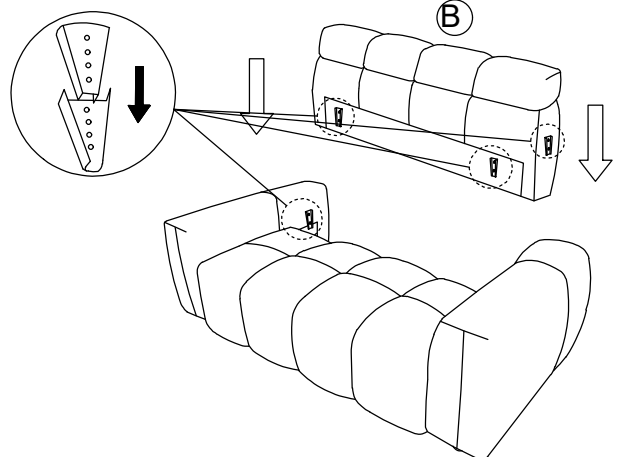
STEP 2. Installation of sofa legs



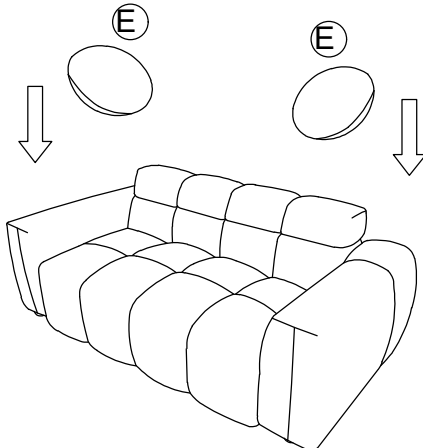
STEP 3. installation of left and right armrests



STEP 4. Installation of backrests



STEP 5. Placement Pillow



COMPLETE

