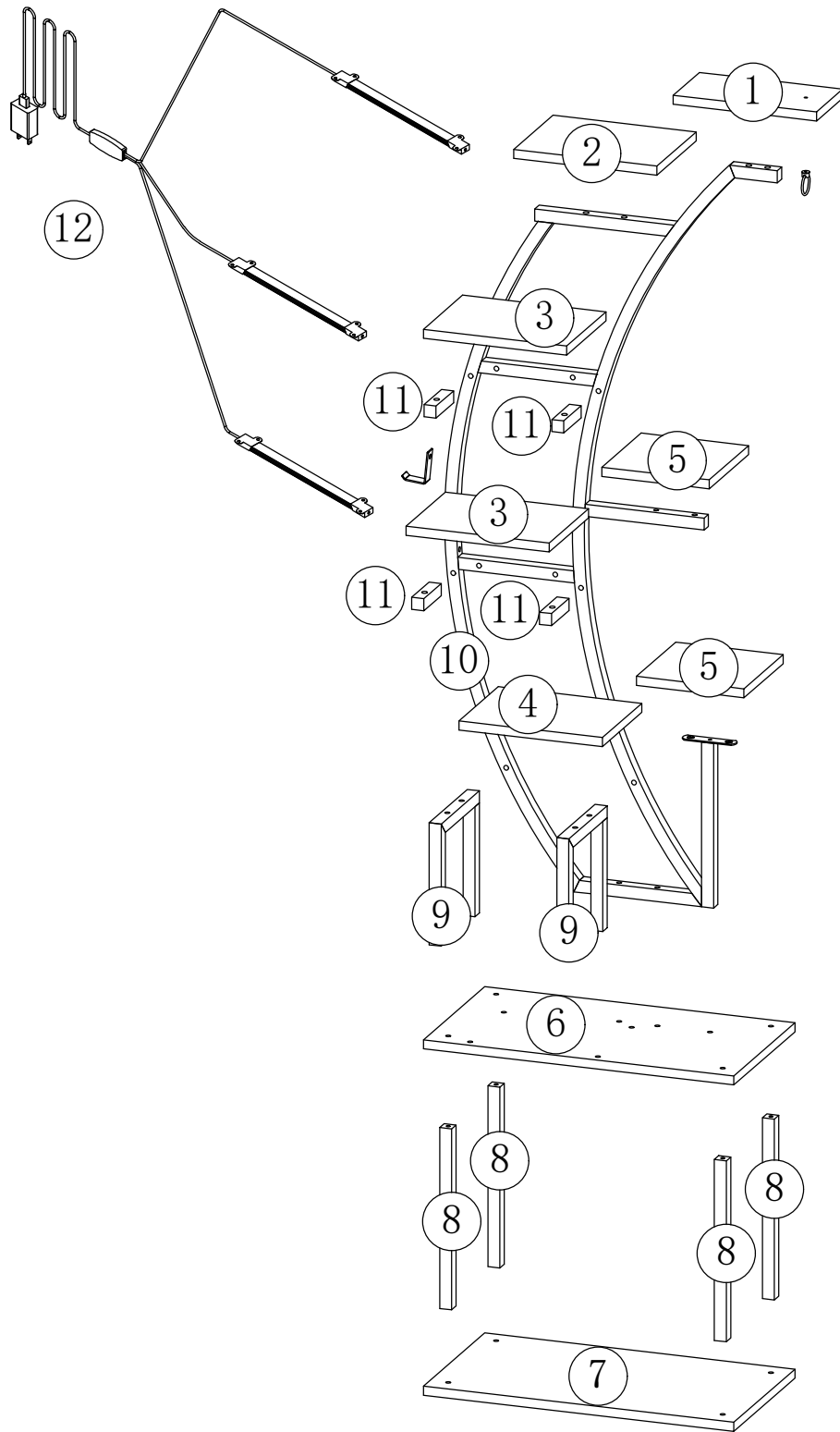

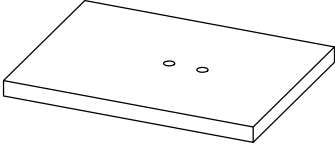
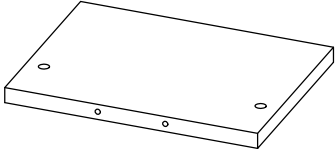
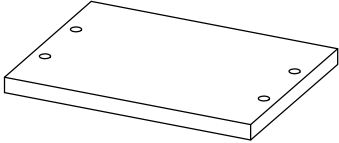
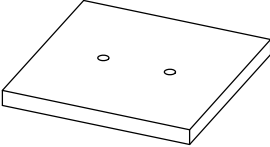
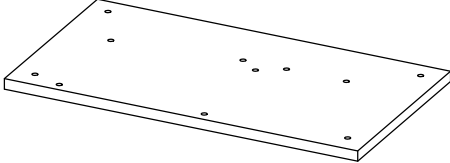
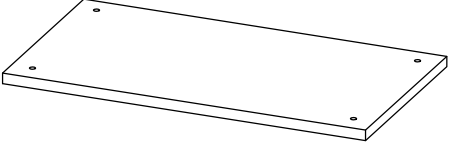

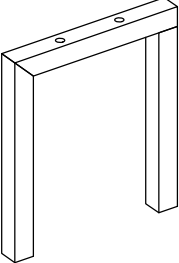
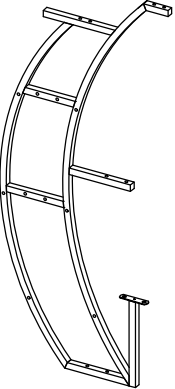

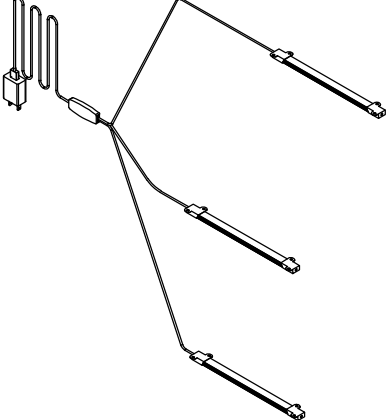


PLANT STAND WITH GROW LIGHT

ASSEMBLY INSTRUCTION

















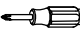


ASSEMBLY INSTRUCTION

| | | |
|--|--|--|
| <p>①</p>  <p>X1</p> | <p>②</p>  <p>X1</p> | <p>③</p>  <p>X2</p> |
| <p>④</p>  <p>X1</p> | <p>⑤</p>  <p>X2</p> | <p>⑥</p>  <p>X1</p> |
| <p>⑦</p>  <p>X1</p> | <p>⑧</p>  <p>X4</p> | <p>⑨</p>  <p>X2</p> |
| <p>⑩</p>  <p>X1</p> | <p>⑪</p>  <p>X4</p> | <p>⑫</p>  <p>X1</p> |

ASSEMBLY INSTRUCTION

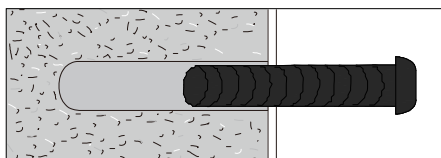
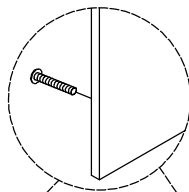
Tool sheet

| No. | PICTURE | SIZE | QTY | No. | PICTURE | SIZE | QTY |
|-----|---|--------|------|-----|--|-------|-----|
| A |   | M6*10 | 3 | F |    | M4*18 | 1 |
| B |  | M6*30 | 14+1 | G |  | M6 | 2 |
| C |  | M6*35 | 13+1 | H |  | | 1 |
| D |  | M6*45 | 8 | K |  X1  X1  X1 | | 1 |
| E |  | ST7*40 | 4 | |  4#   | | 1 |

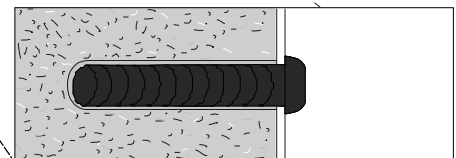
Matters needing attention

- (1) When installing the screws in the installation step, the screws do not need to be tightened. After this installation step is confirmed and the holes are aligned, then tighten all the screws.
- (2) If the screws are tightened during the installation process, it will cause problems such as misalignment of the screw holes and misalignment of the board in subsequent installations.

example



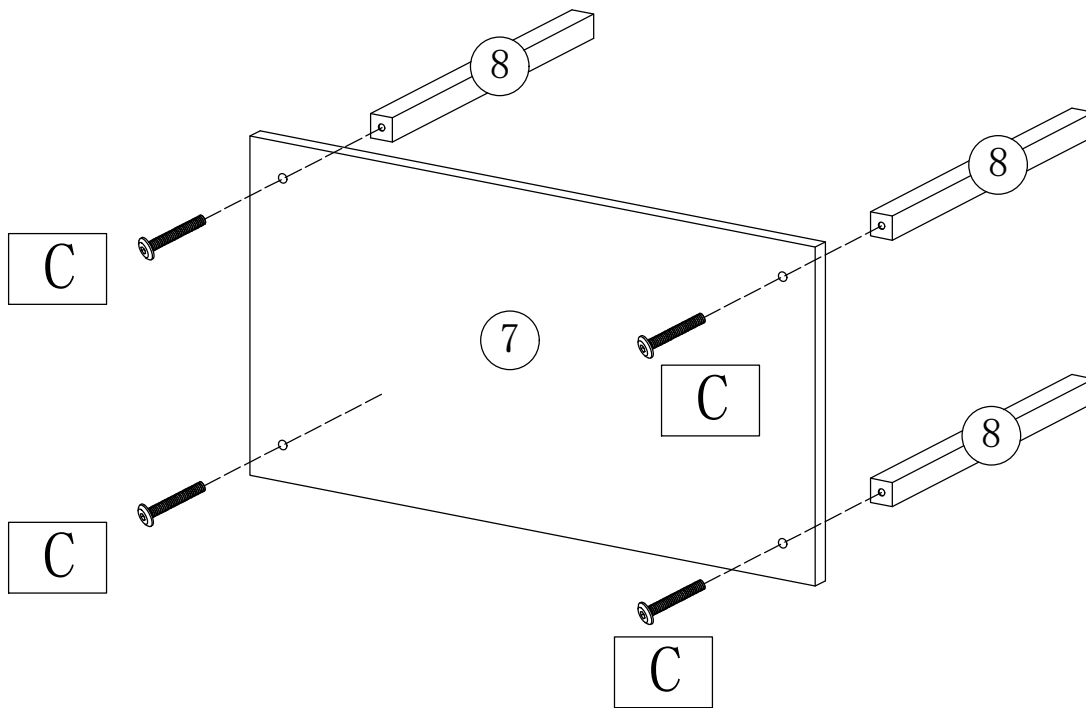
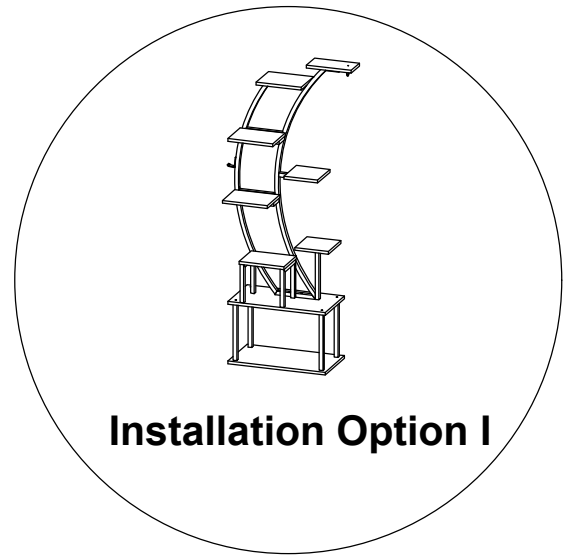
Do not tighten the screws



Screw down

ASSEMBLY INSTRUCTION

STEP 1-1



C M6*35mm

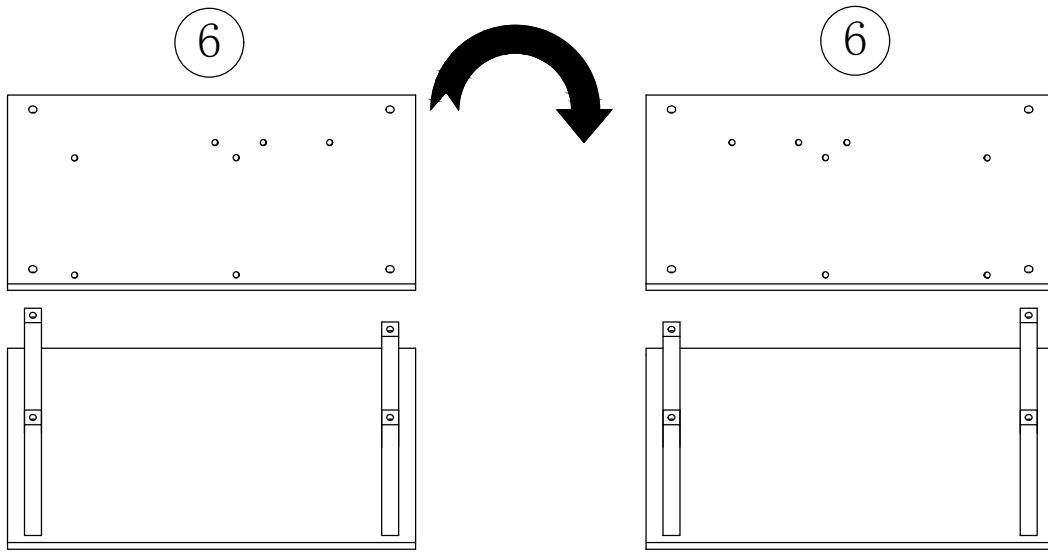


X4

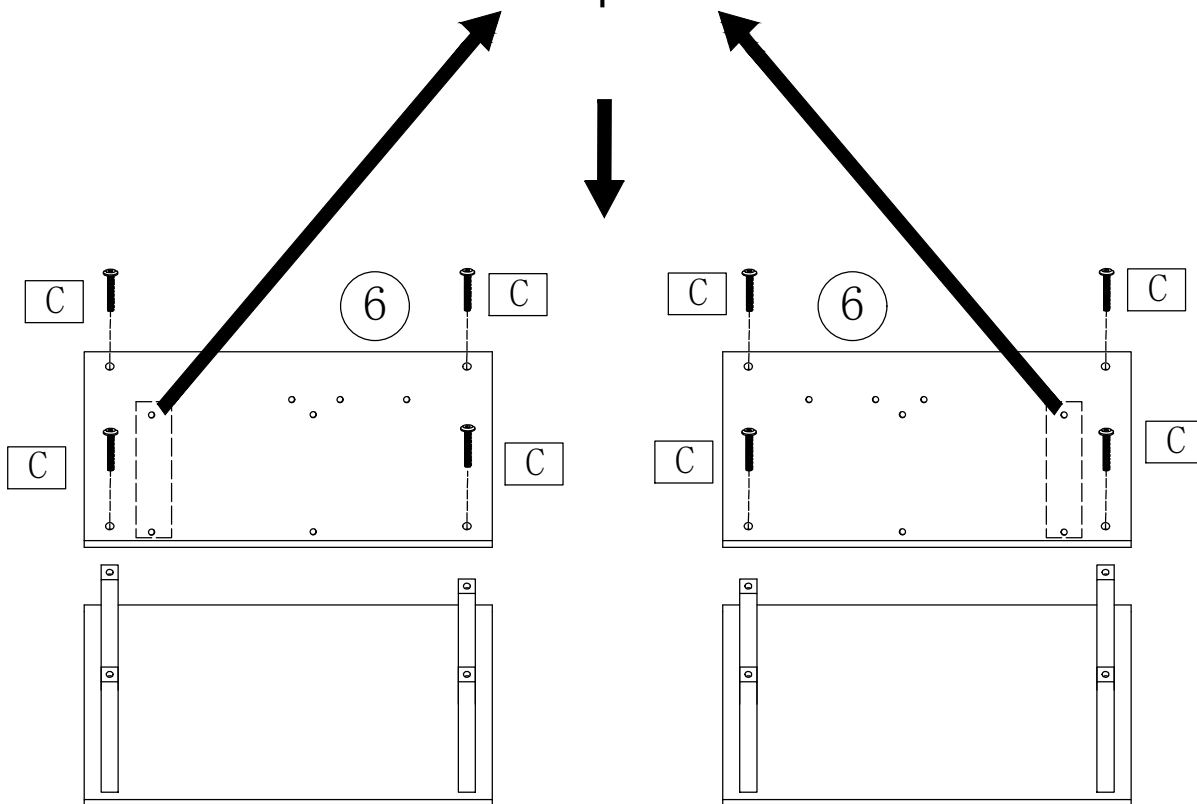
ASSEMBLY INSTRUCTION

STEP 2-1

Please note that the left and right wooden boards can be interchanged, just flip the 6th board over.

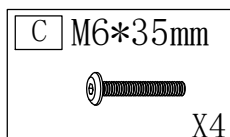


Note the orientation of the hole in plate 6. The hole on the left represents the first installation, and the hole on the right represents the second installation when plate 6 is reversed.



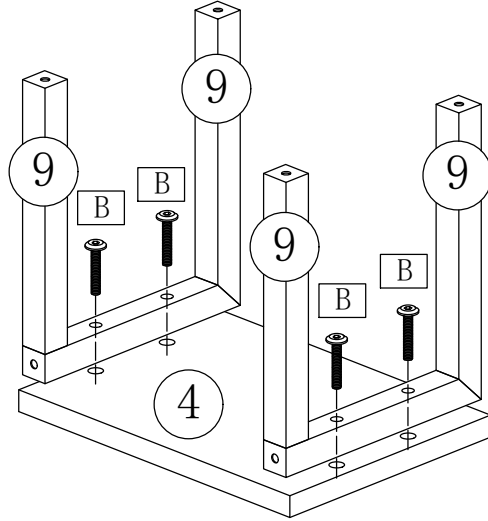
Installation Option I

Installation Option II



ASSEMBLY INSTRUCTION

STEP 3-1

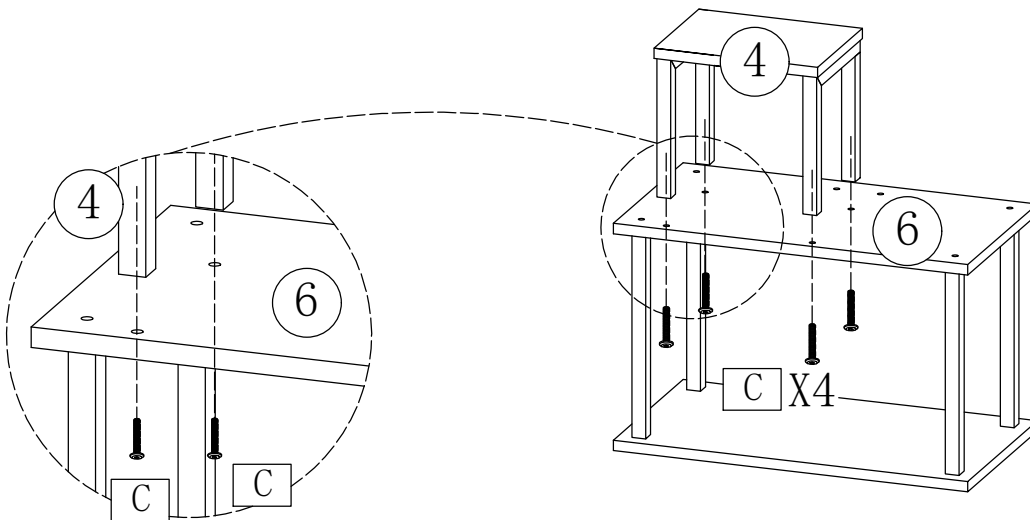


B M6*30mm



X4

STEP 4-1



C M6*35mm

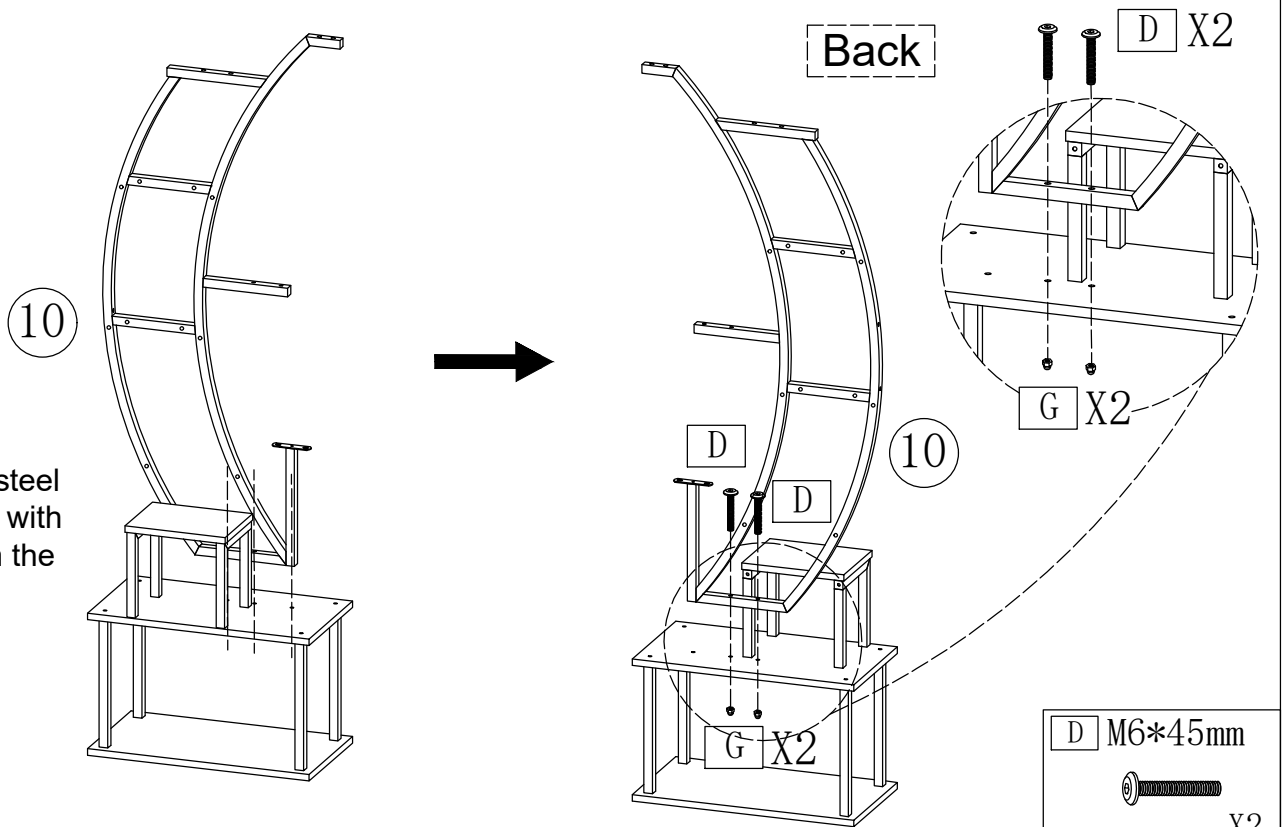




X4

ASSEMBLY INSTRUCTION

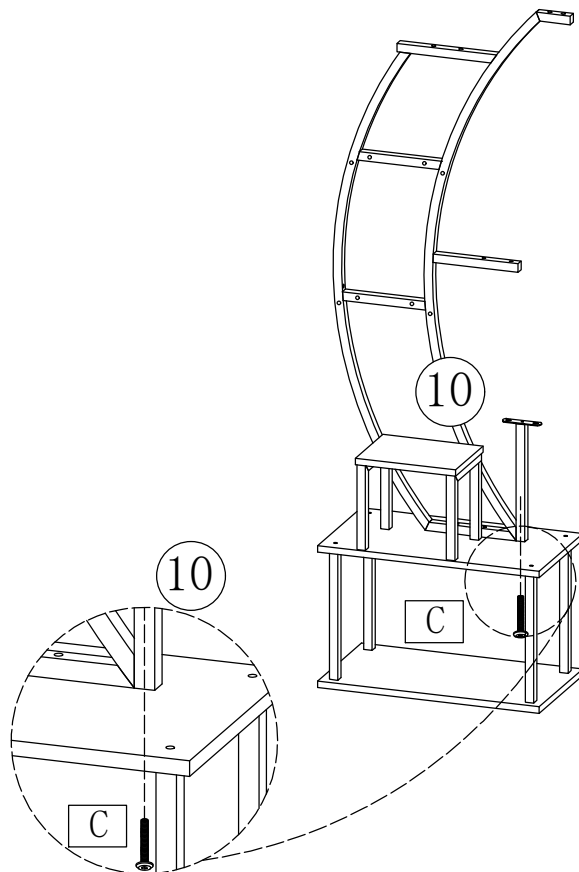
STEP 5-1


Please align steel frame No. 10 with the 3 holes in the board



| | |
|---|--|
| D | M6*45mm |
| |  X2 |
| G | M6 |
| |  X2 |

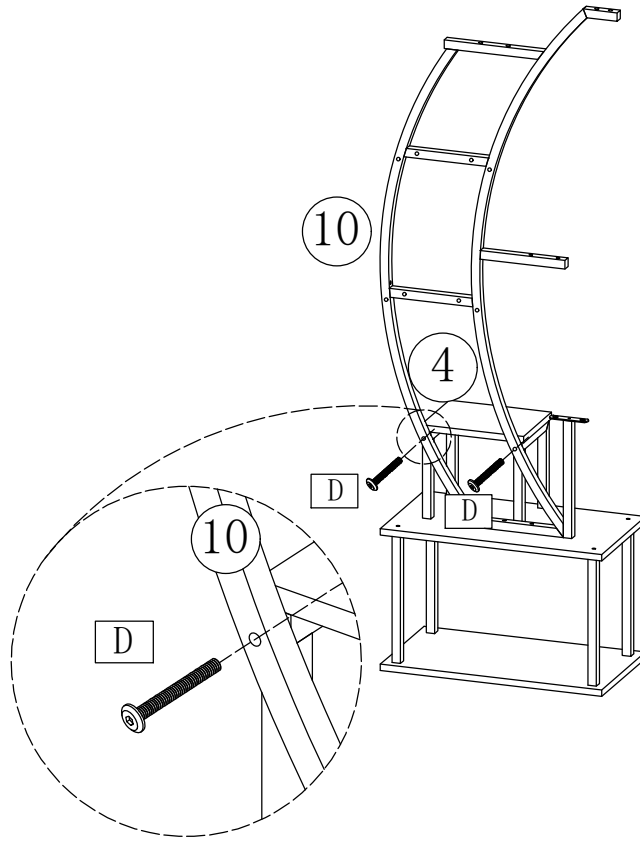
STEP 6-1




| | |
|---|--|
| C | M6*35mm |
| |  X1 |

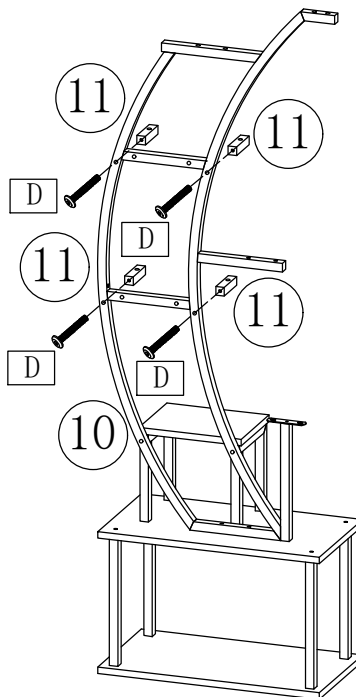
ASSEMBLY INSTRUCTION


STEP 7-1



D M6*45mm

X2

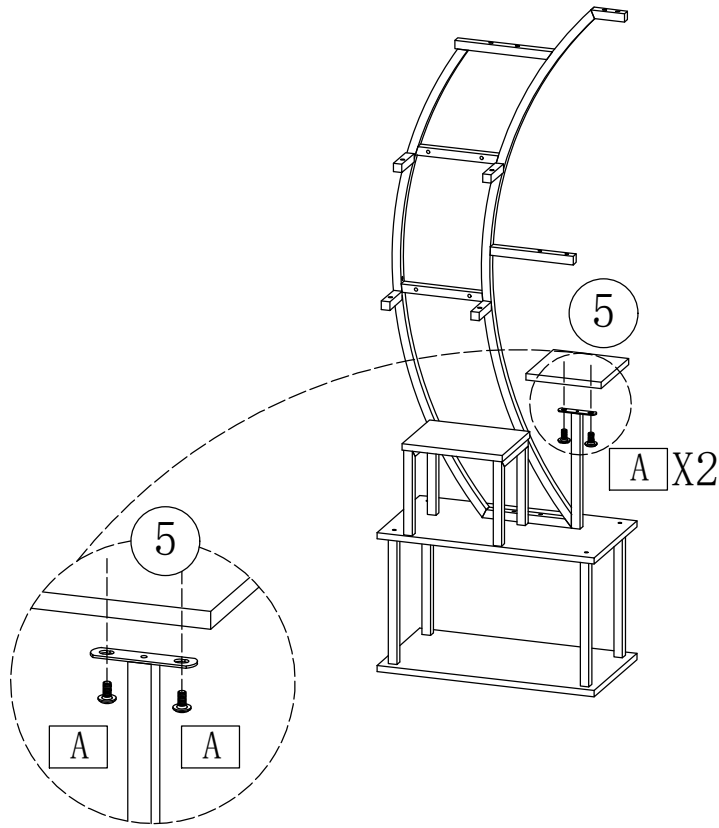
STEP 8-1




D M6*45mm

X4

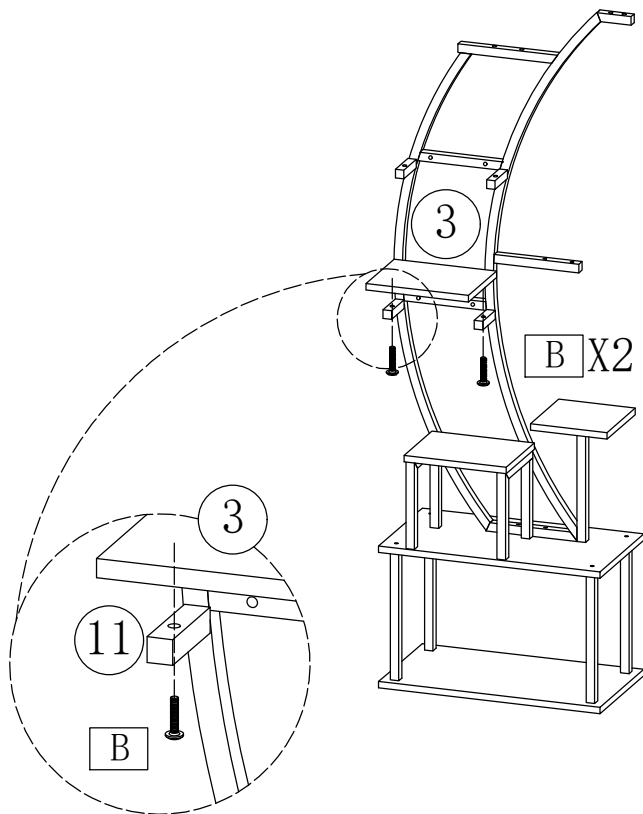
ASSEMBLY INSTRUCTION


STEP 9-1



A M6*10mm

X2

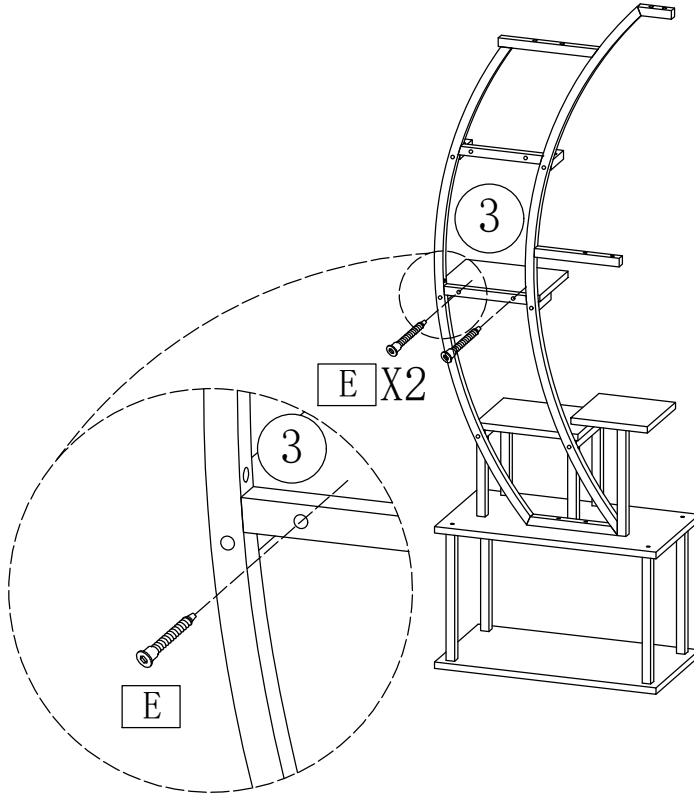
STEP 10-1



B M6*30mm

X2

ASSEMBLY INSTRUCTION

STEP 11-1

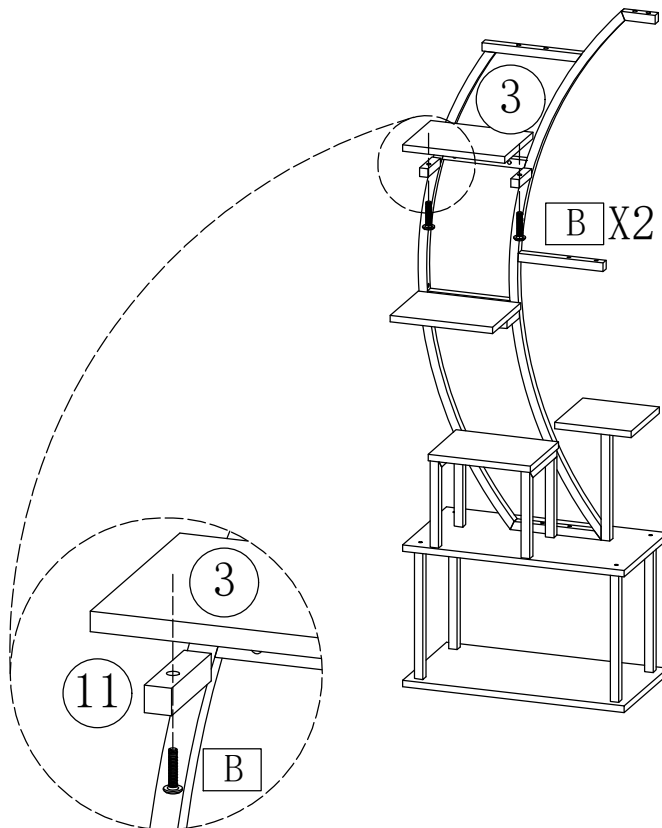


E ST7*40mm



X2

STEP 12-1



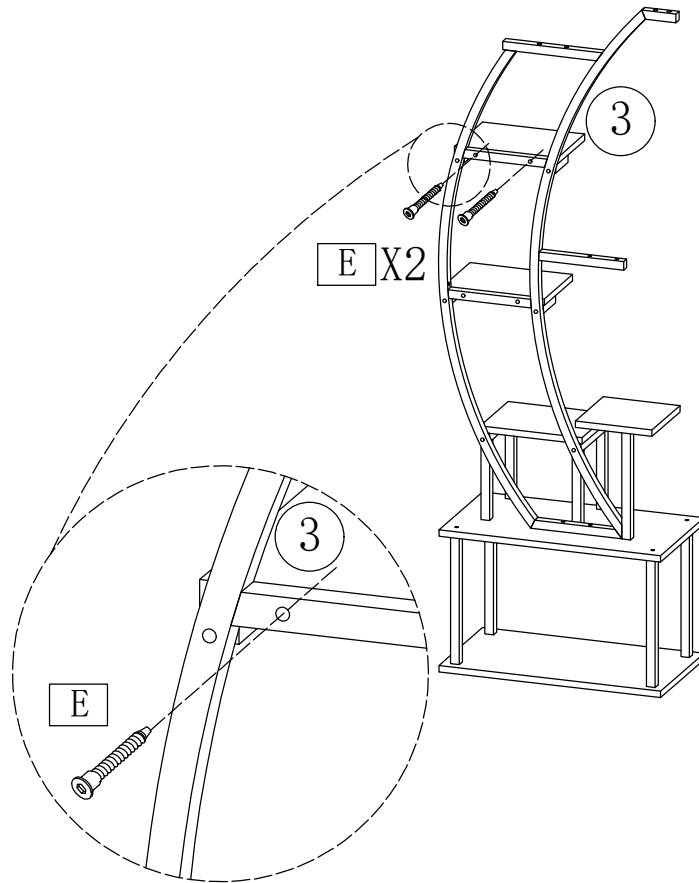
B M6*30mm




X2

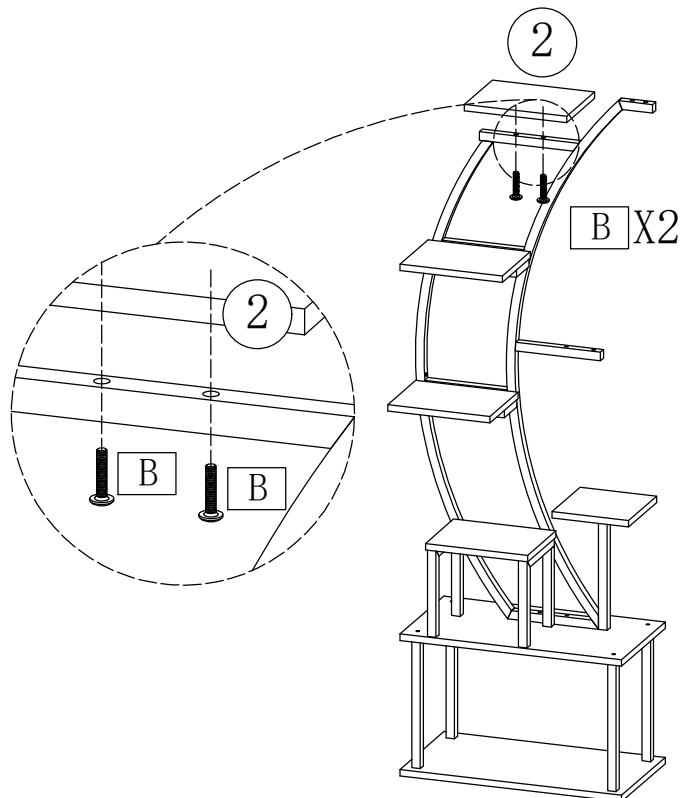
ASSEMBLY INSTRUCTION


STEP 13-1



E ST7*40mm

X2

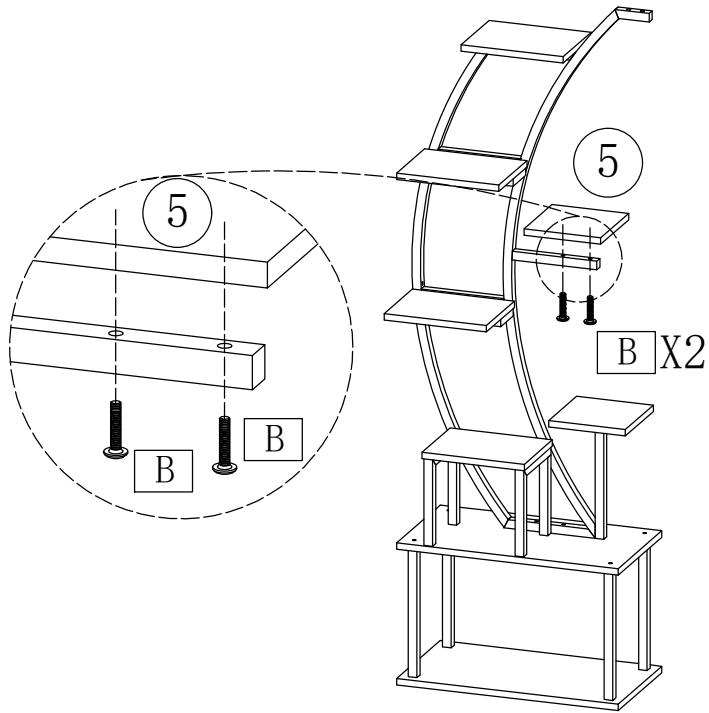
STEP 14-1



B M6*30mm

X2

ASSEMBLY INSTRUCTION

STEP 15-1

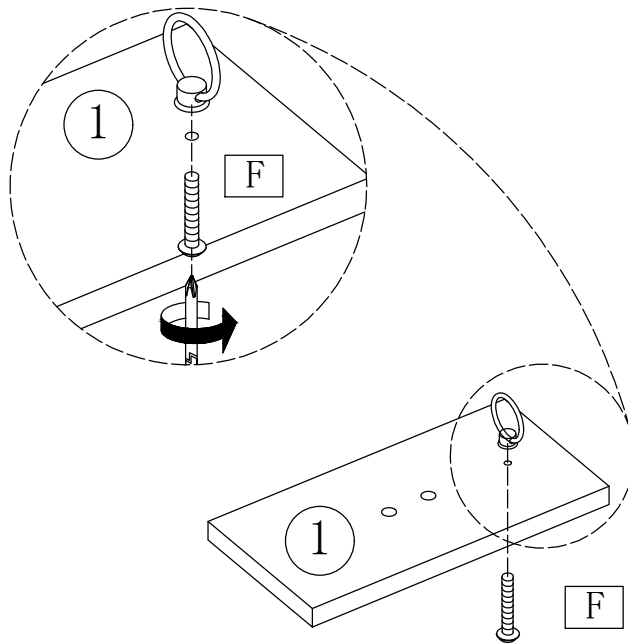


B M6*30mm



X2

STEP 16-1



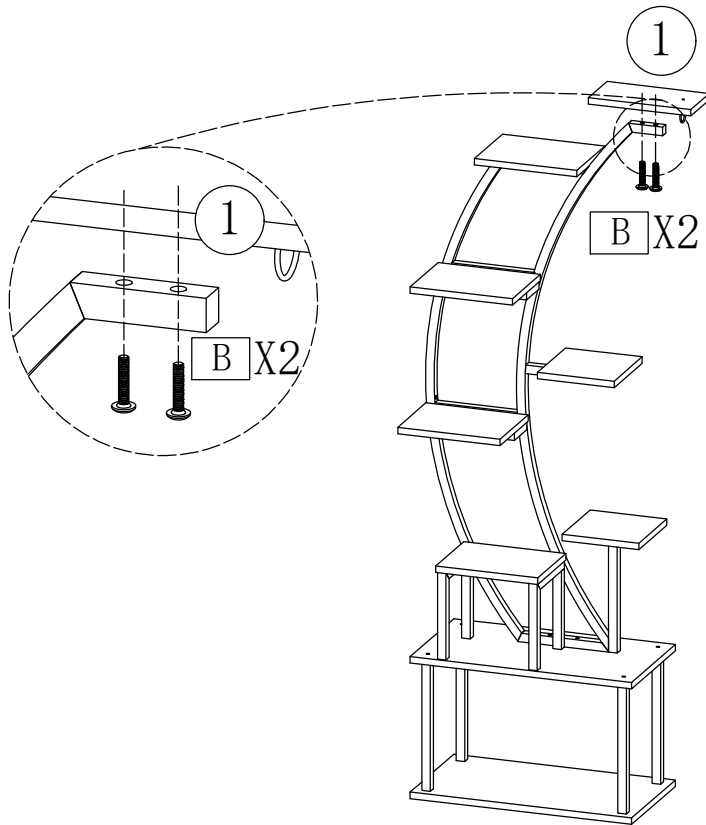
F M4*18mm




X1

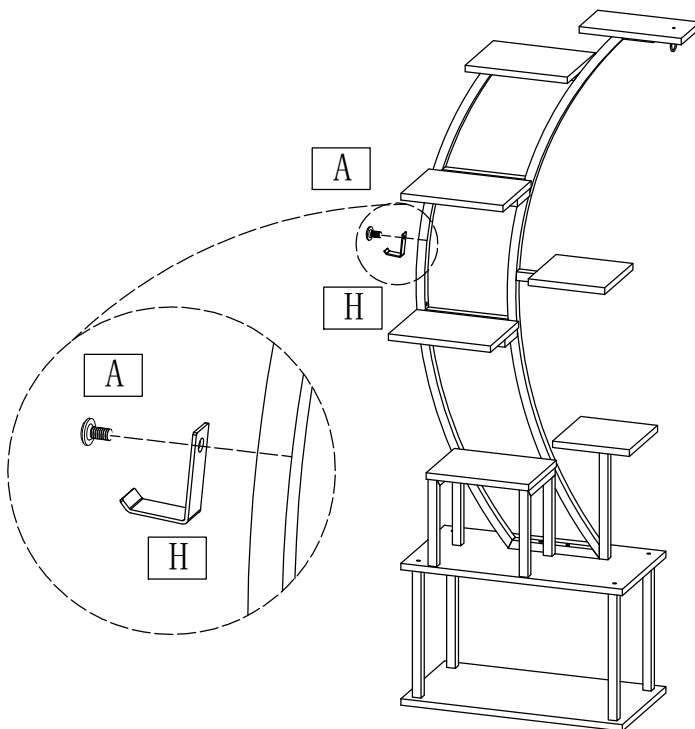
ASSEMBLY INSTRUCTION



STEP 17-1



| | |
|---|---------|
| B | M6*30mm |
|  | |
| | X2 |

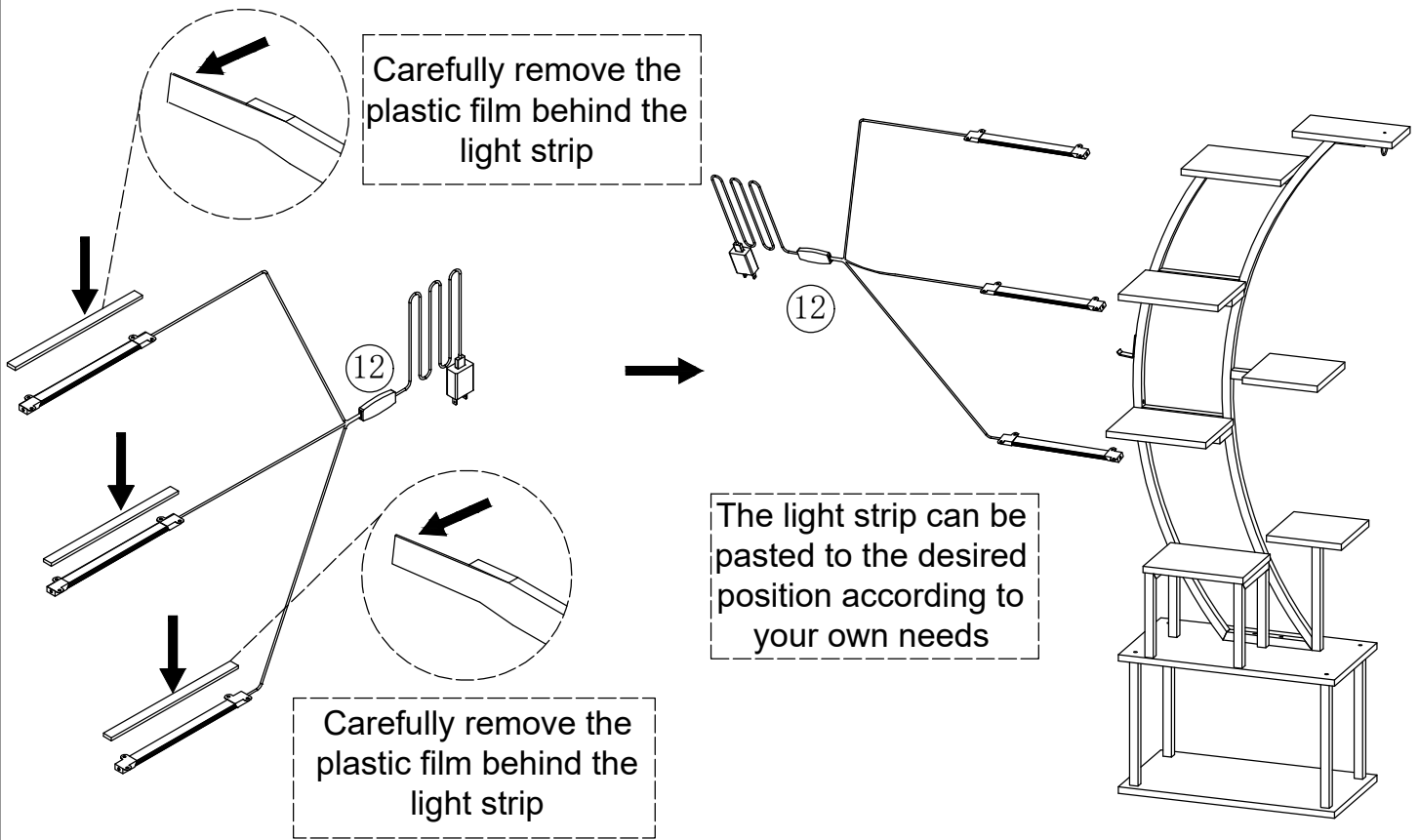
STEP 18-1



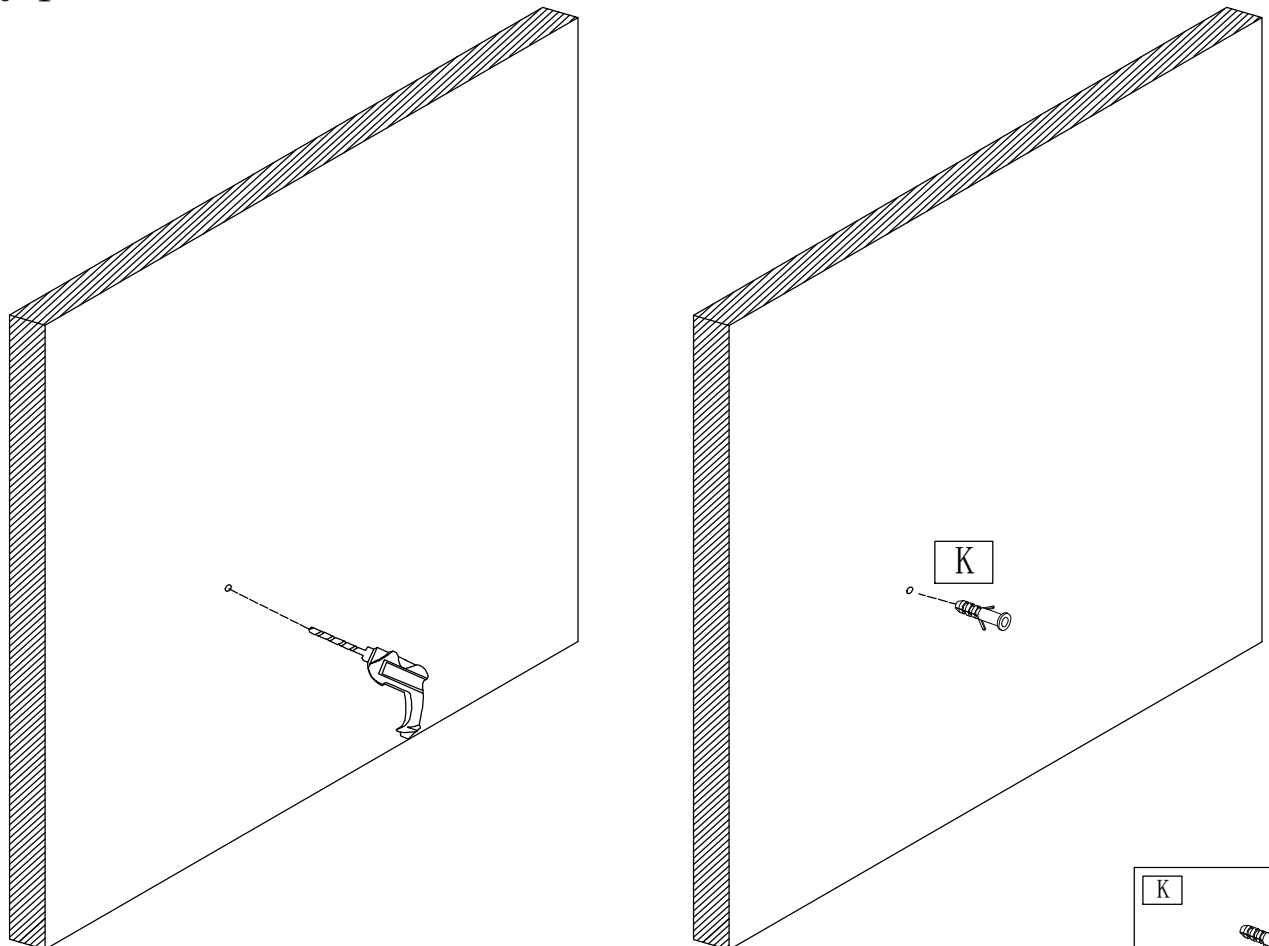
| | |
|---|---------|
| H | L |
|  | |
| | X1 |
| A | M6*10mm |
|  | |
| | X1 |

ASSEMBLY INSTRUCTION

STEP 19-1

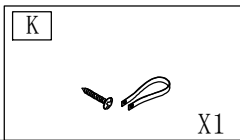
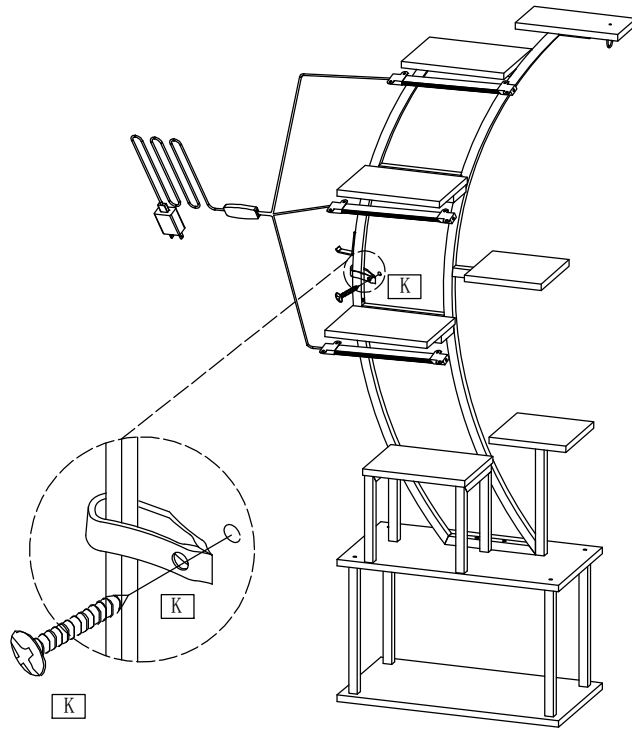


STEP 20-1



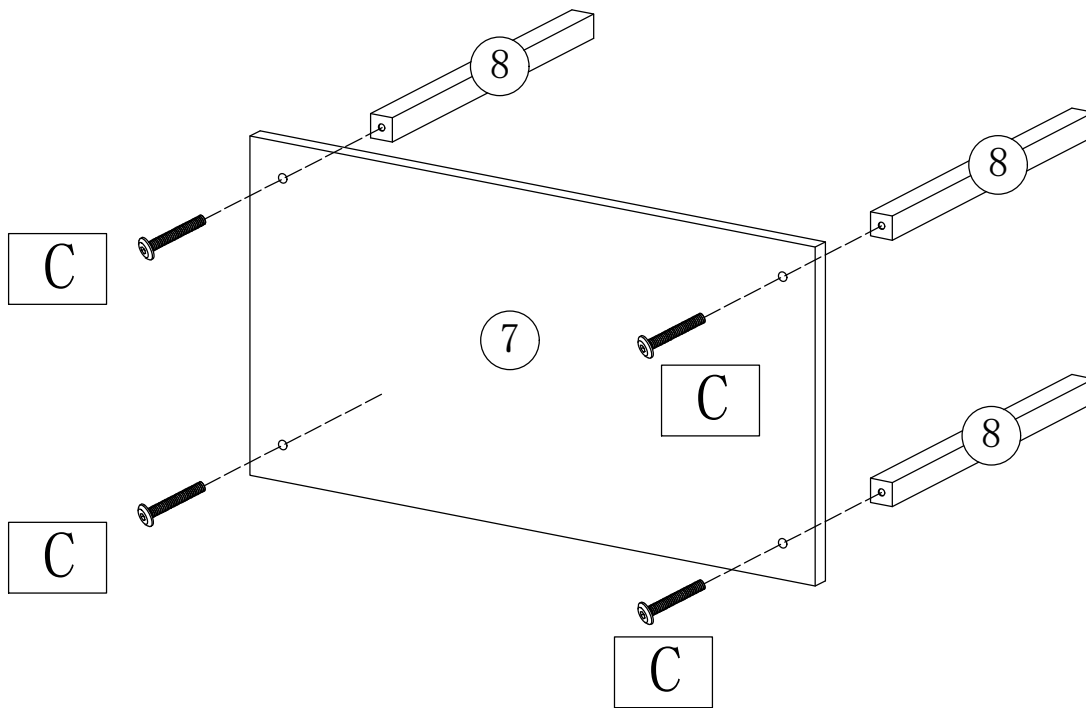
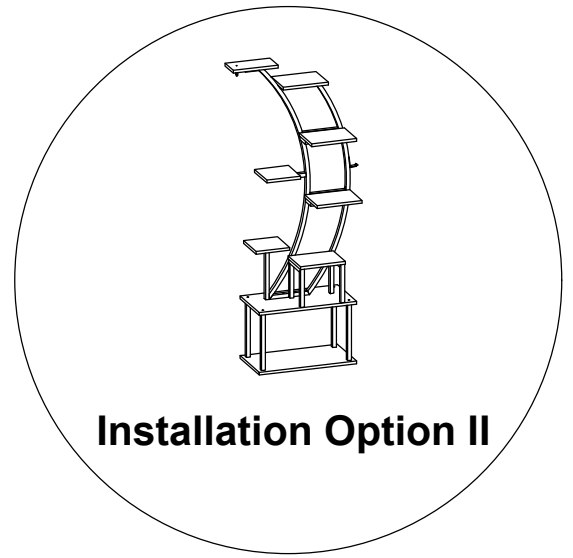
ASSEMBLY INSTRUCTION

STEP 21-1



ASSEMBLY INSTRUCTION

STEP 1-2



C M6*35mm

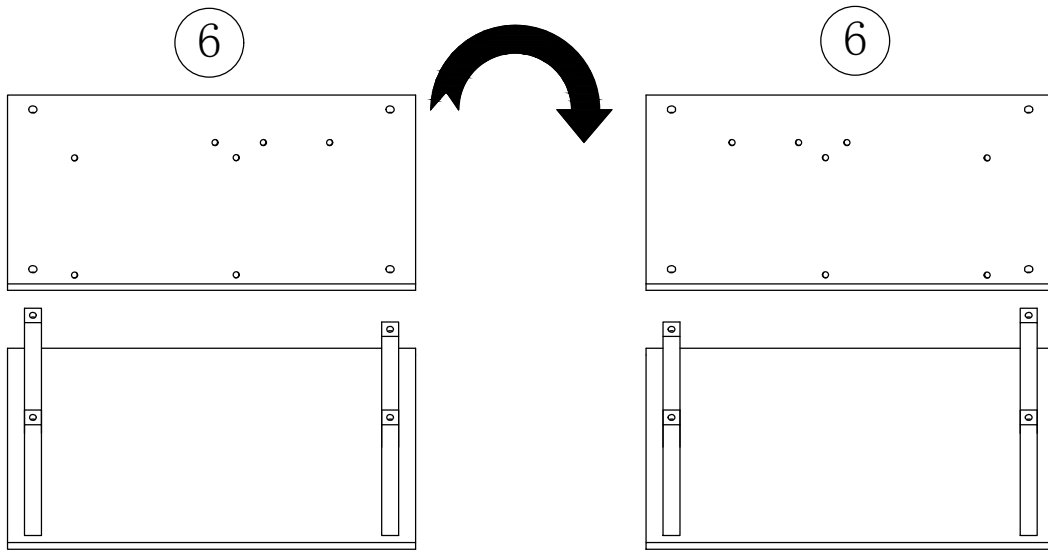


X4

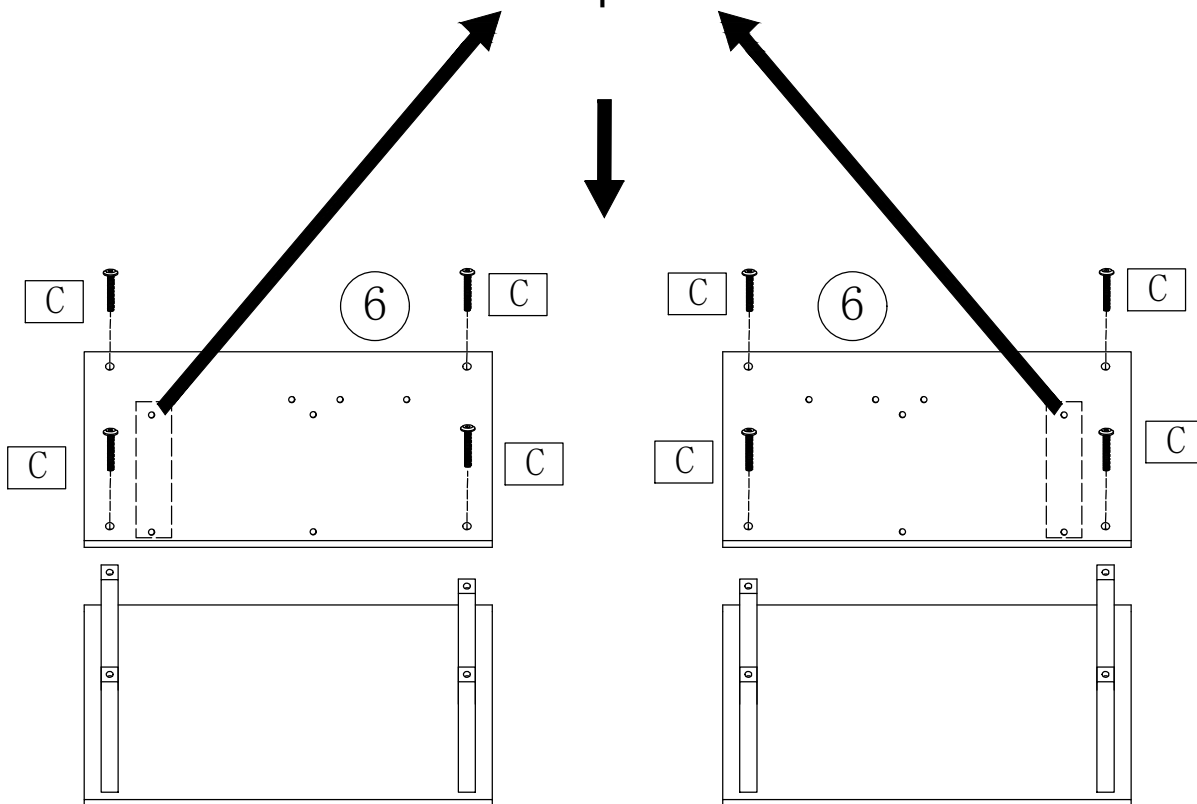
ASSEMBLY INSTRUCTION

STEP 2-2

Please note that the left and right wooden boards can be interchanged, just flip the 6th board over.

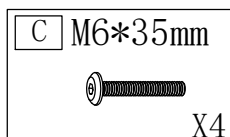


Note the orientation of the hole in plate 6. The hole on the left represents the first installation, and the hole on the right represents the second installation when plate 6 is reversed.



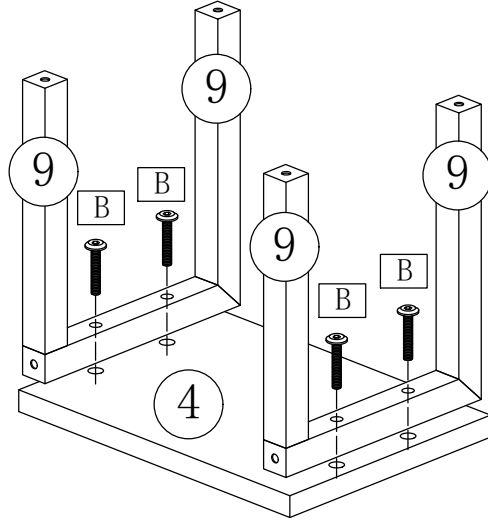
Installation Option I

Installation Option II



ASSEMBLY INSTRUCTION

STEP 3-2

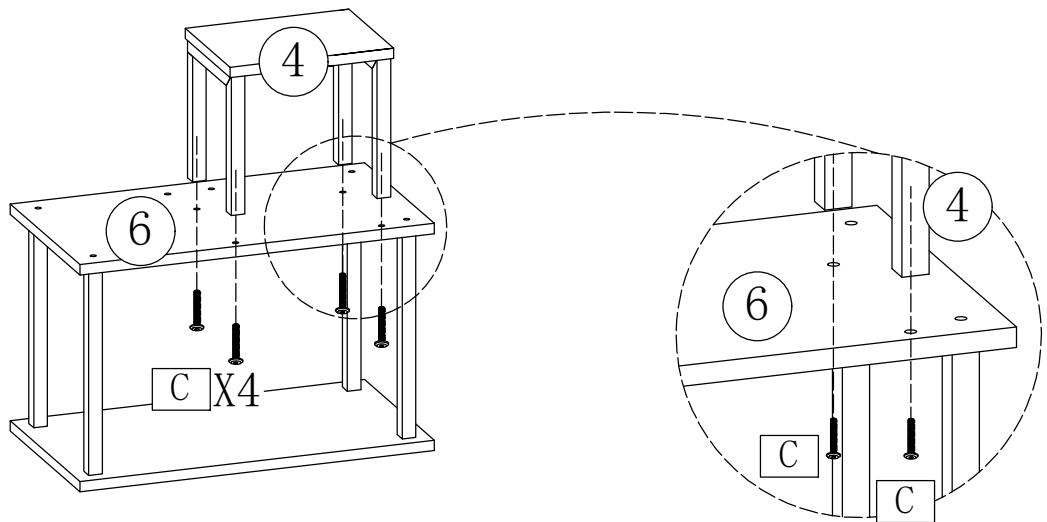


B M6*30mm



X4

STEP 4-2



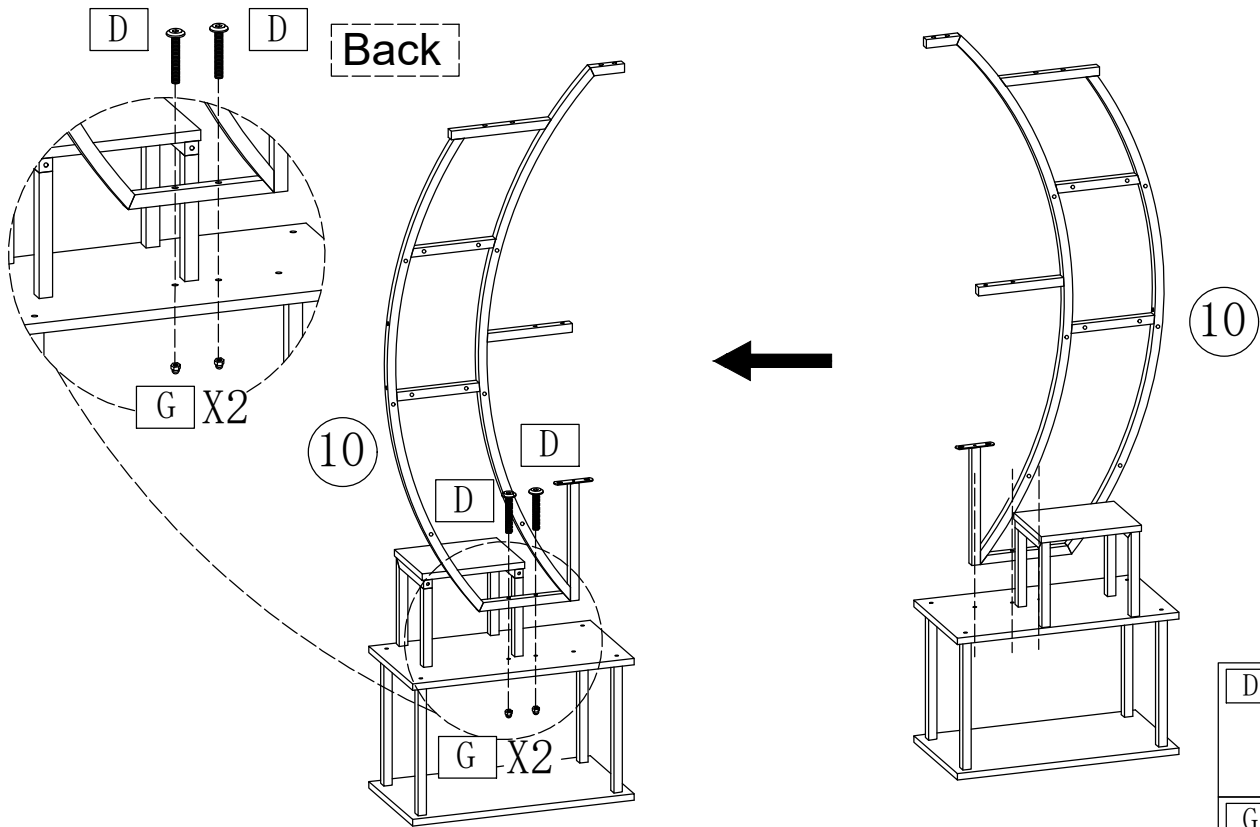
C M6*35mm



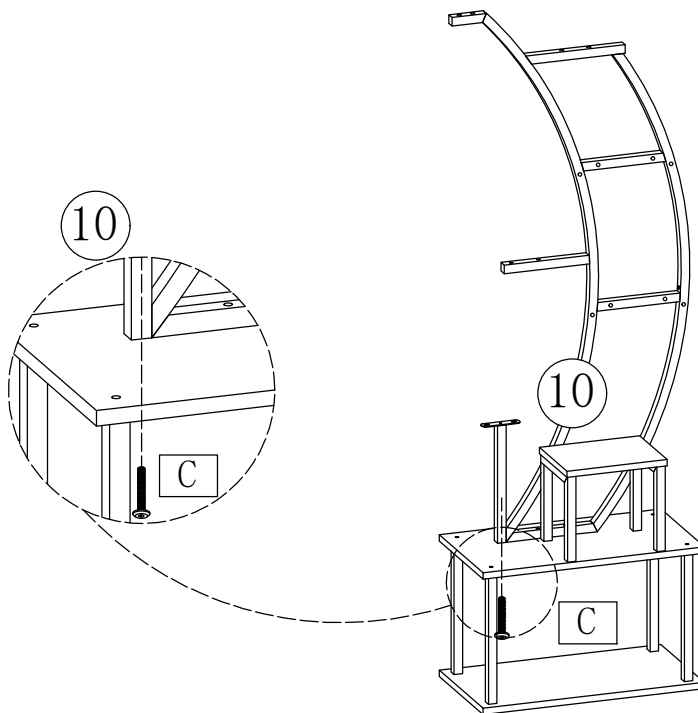
X4


ASSEMBLY INSTRUCTION

STEP 5-2



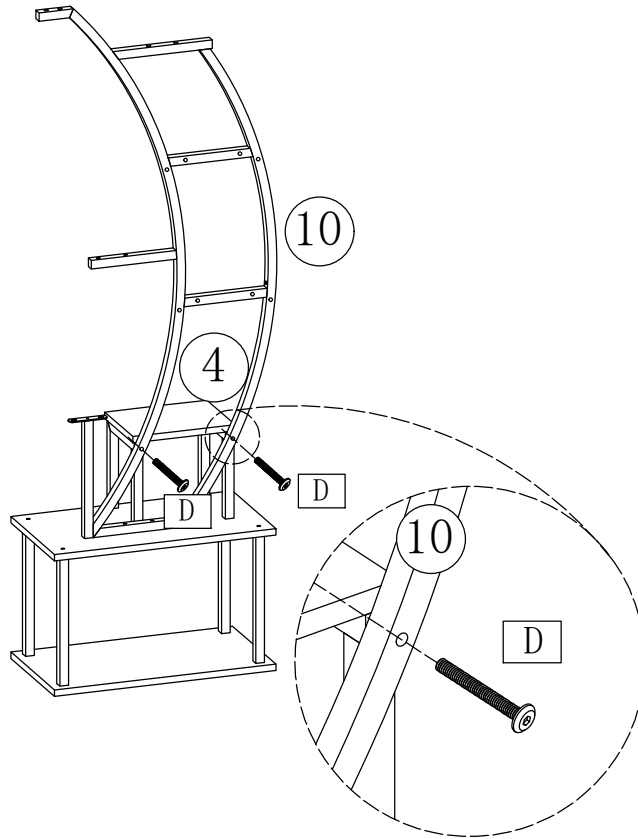
STEP 6-2



| | |
|---|--|
| C | M6*35mm |
| |  X1 |

ASSEMBLY INSTRUCTION

STEP 7-2

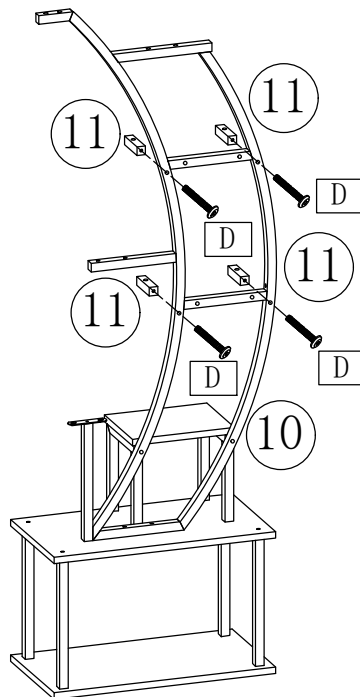


D M6*45mm



X2

STEP 8-2



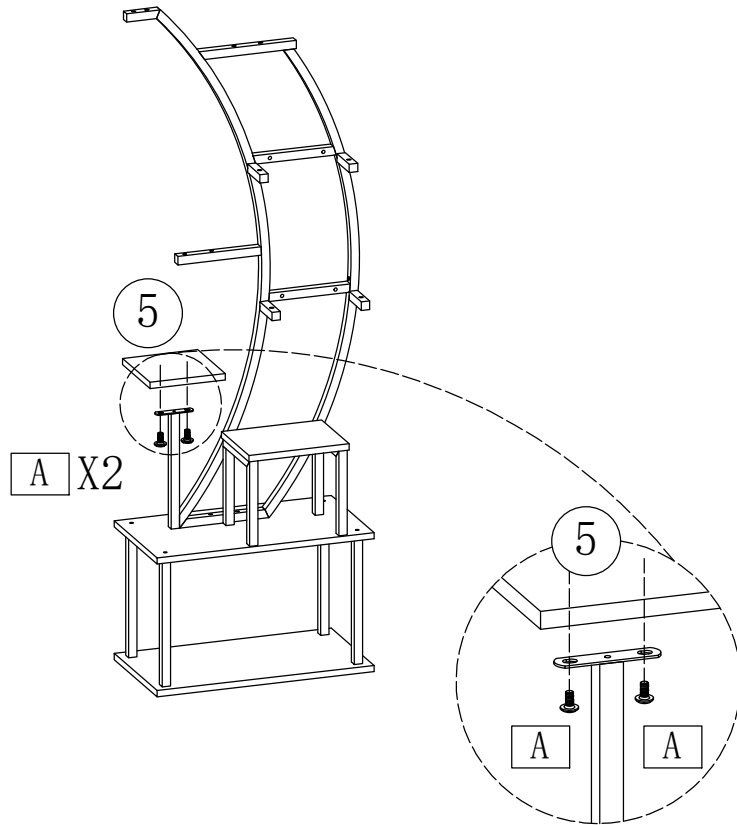
D M6*45mm




X4

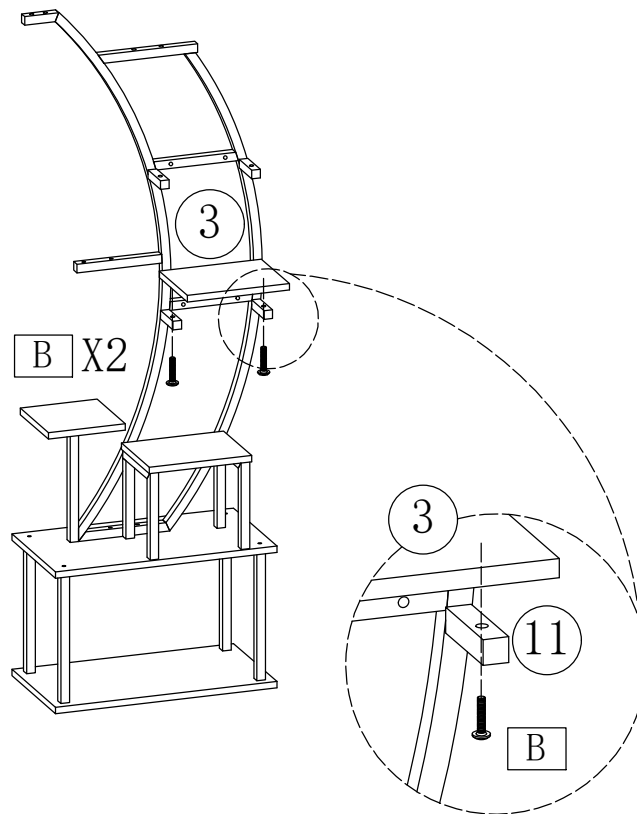
ASSEMBLY INSTRUCTION


STEP 9-2



A M6*10mm

X2

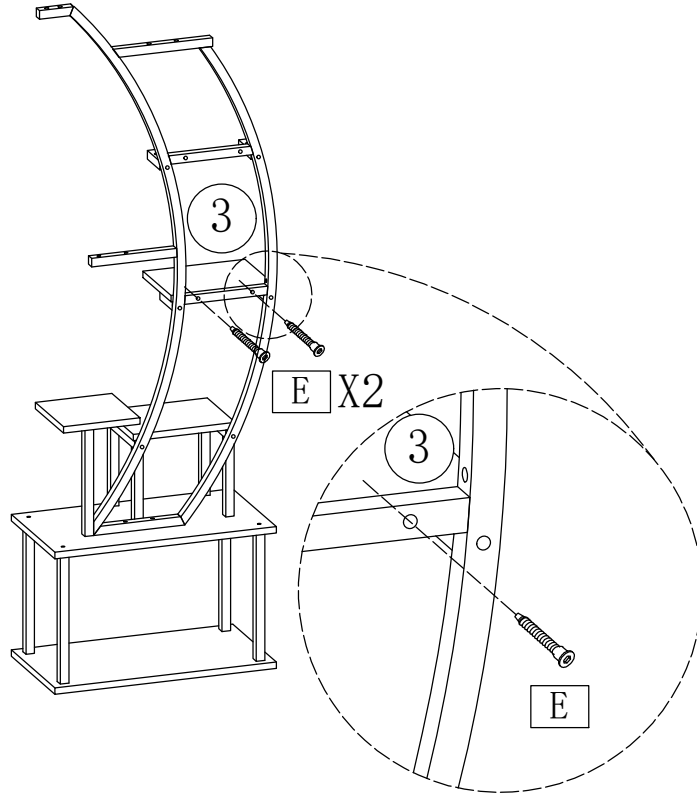
STEP 10-2



B M6*30mm

X2

ASSEMBLY INSTRUCTION

STEP 11-2

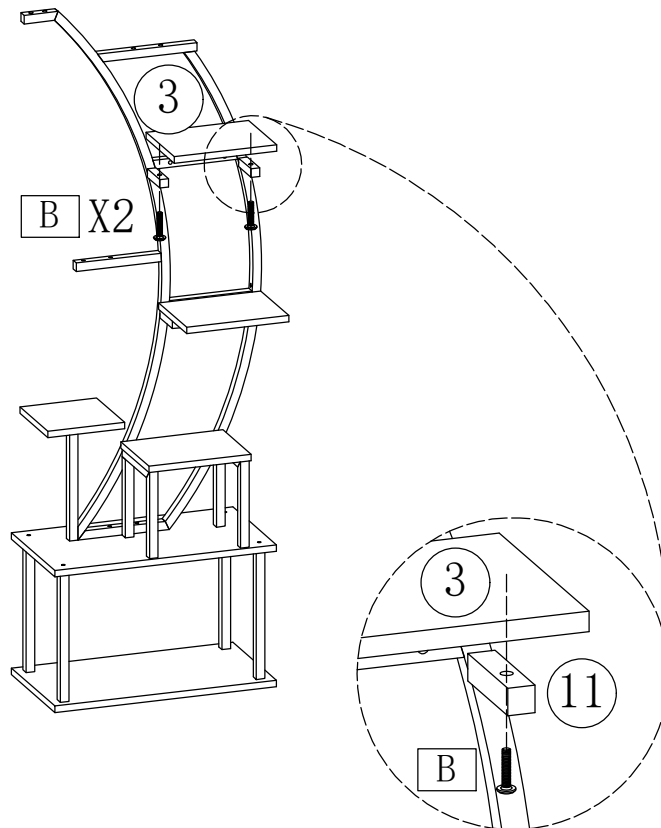


E ST7*40mm



X2

STEP 12-2



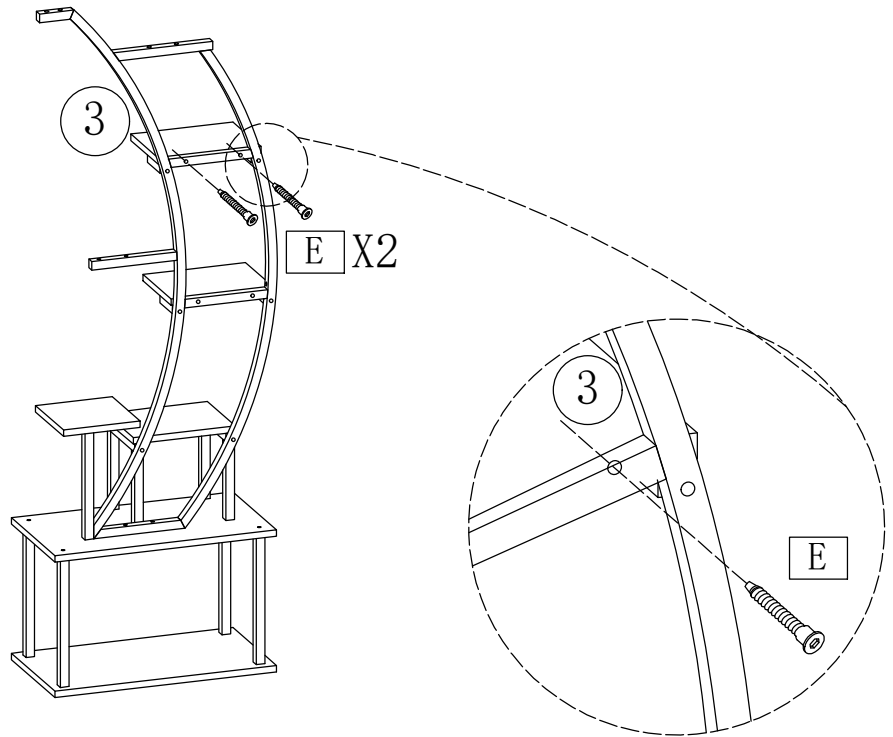
B M6*30mm



X2

ASSEMBLY INSTRUCTION

STEP 13-2

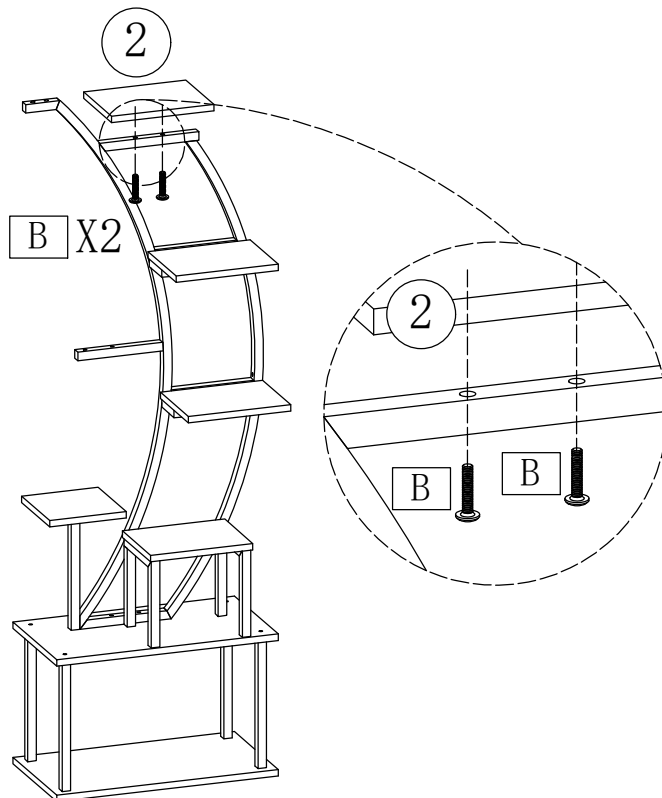


E ST7*40mm



X2

STEP 14-2



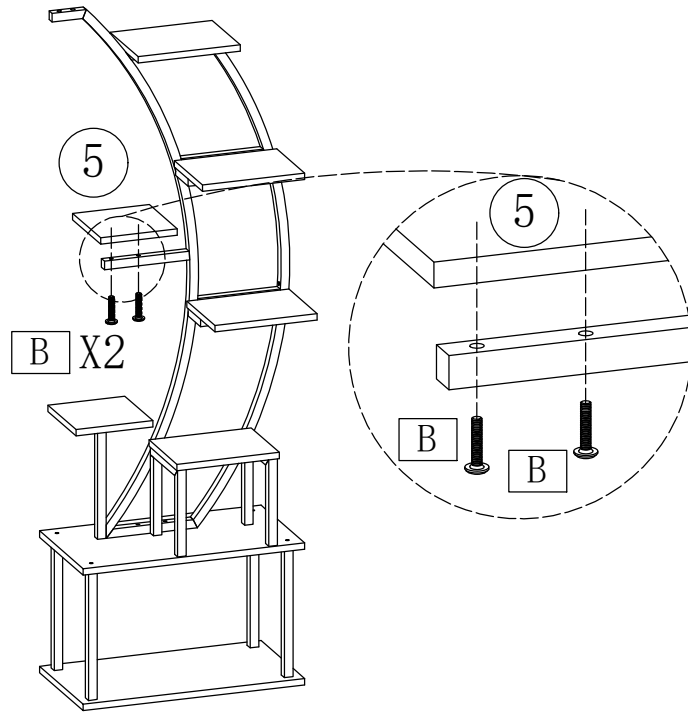
B M6*30mm



X2

ASSEMBLY INSTRUCTION

STEP 15-2

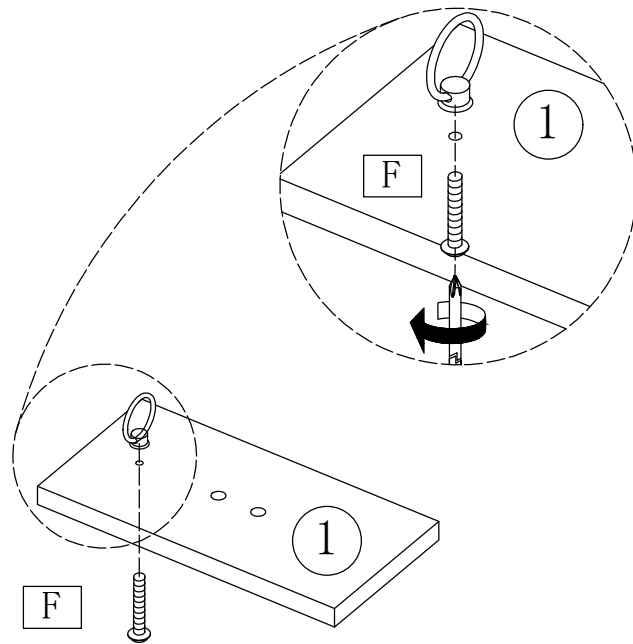


B M6*30mm



X2

STEP 16-2



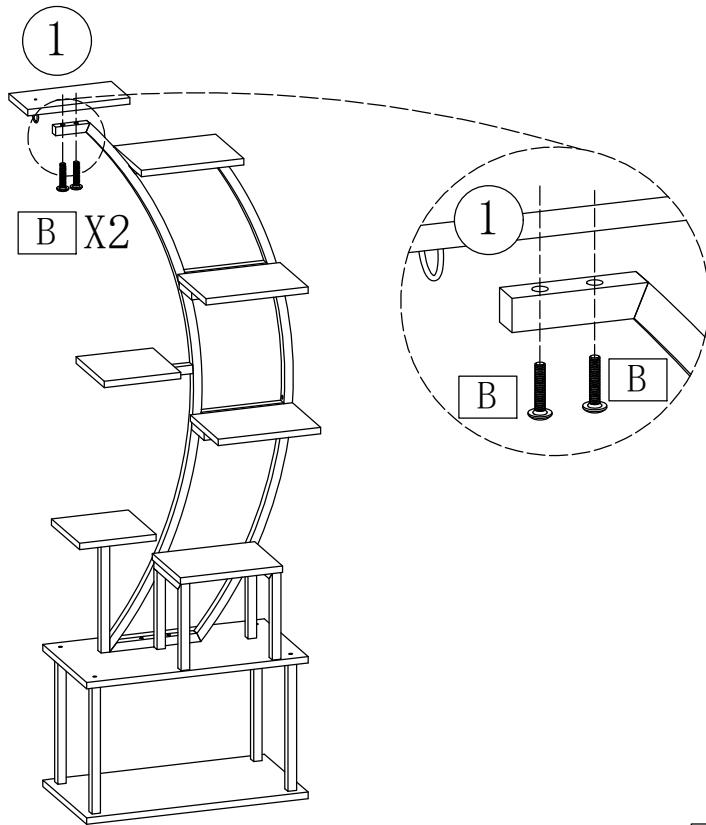
F M4*18mm




X1

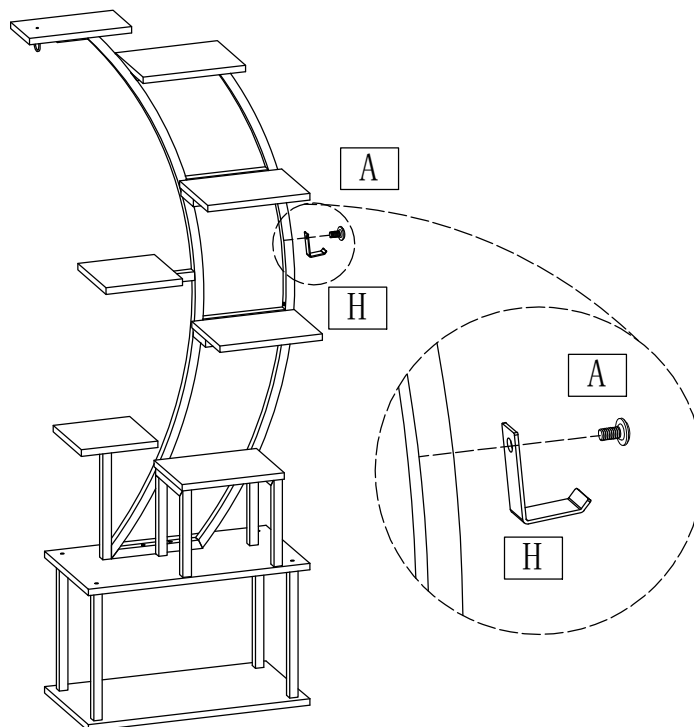
ASSEMBLY INSTRUCTION



STEP 17-2



| | |
|---|---------|
| B | M6*30mm |
|  | |
| X2 | |

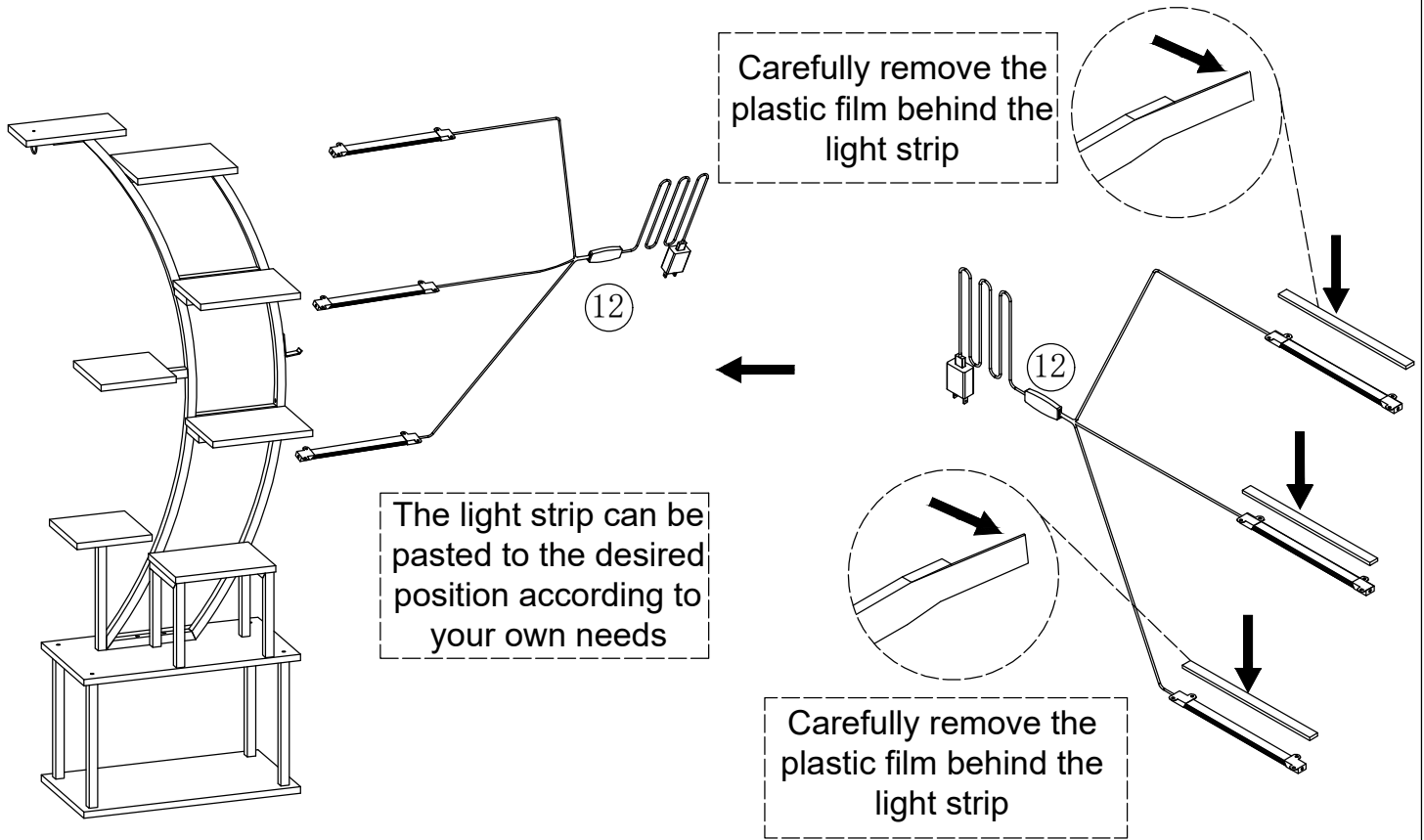
STEP 18-2



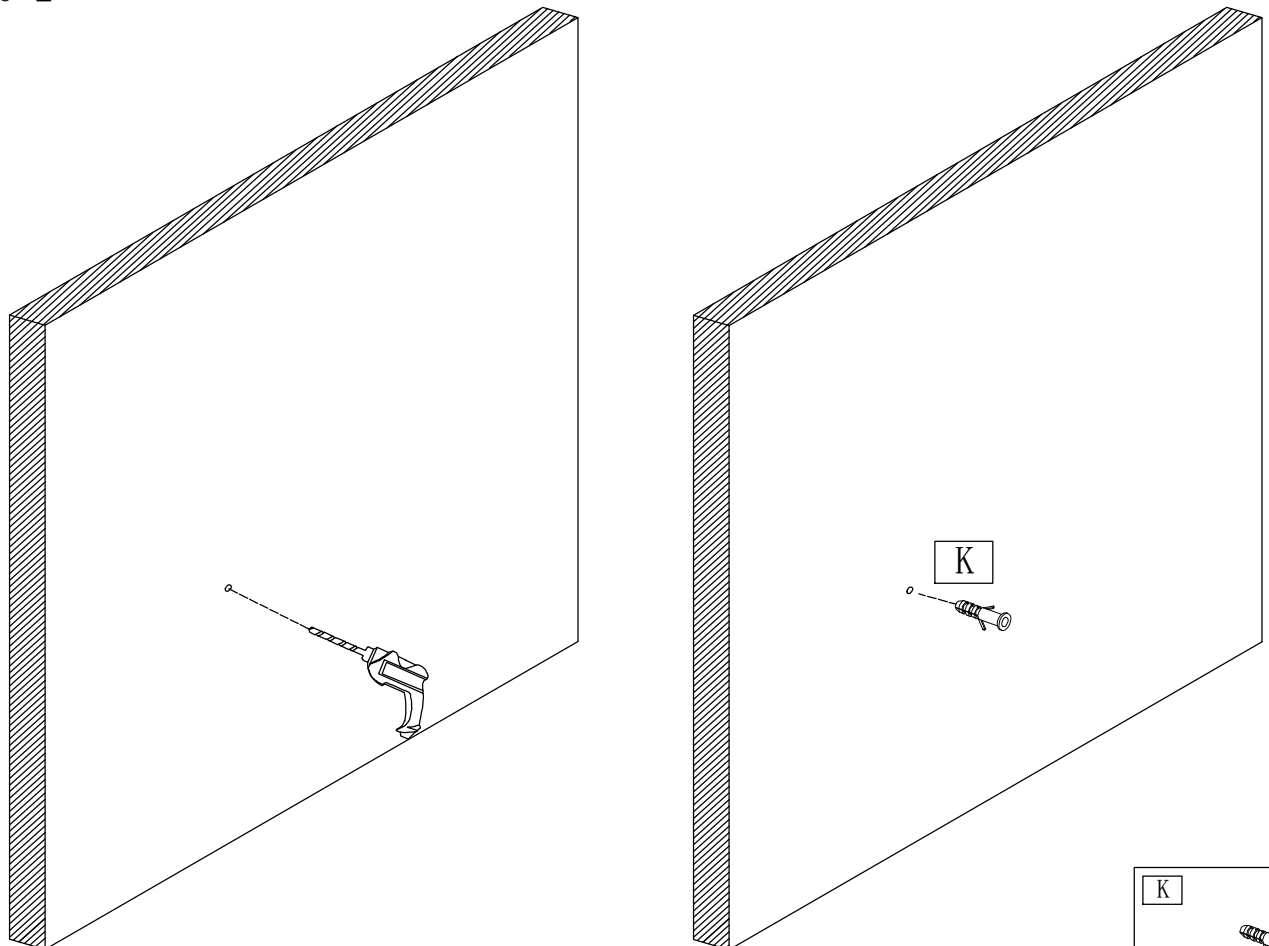
| | |
|---|---------|
| H | L |
|  | |
| X1 | |
| A | M6*10mm |
|  | |
| X1 | |

ASSEMBLY INSTRUCTION

STEP 19-2



STEP 20-2



ASSEMBLY INSTRUCTION

STEP 21-2

