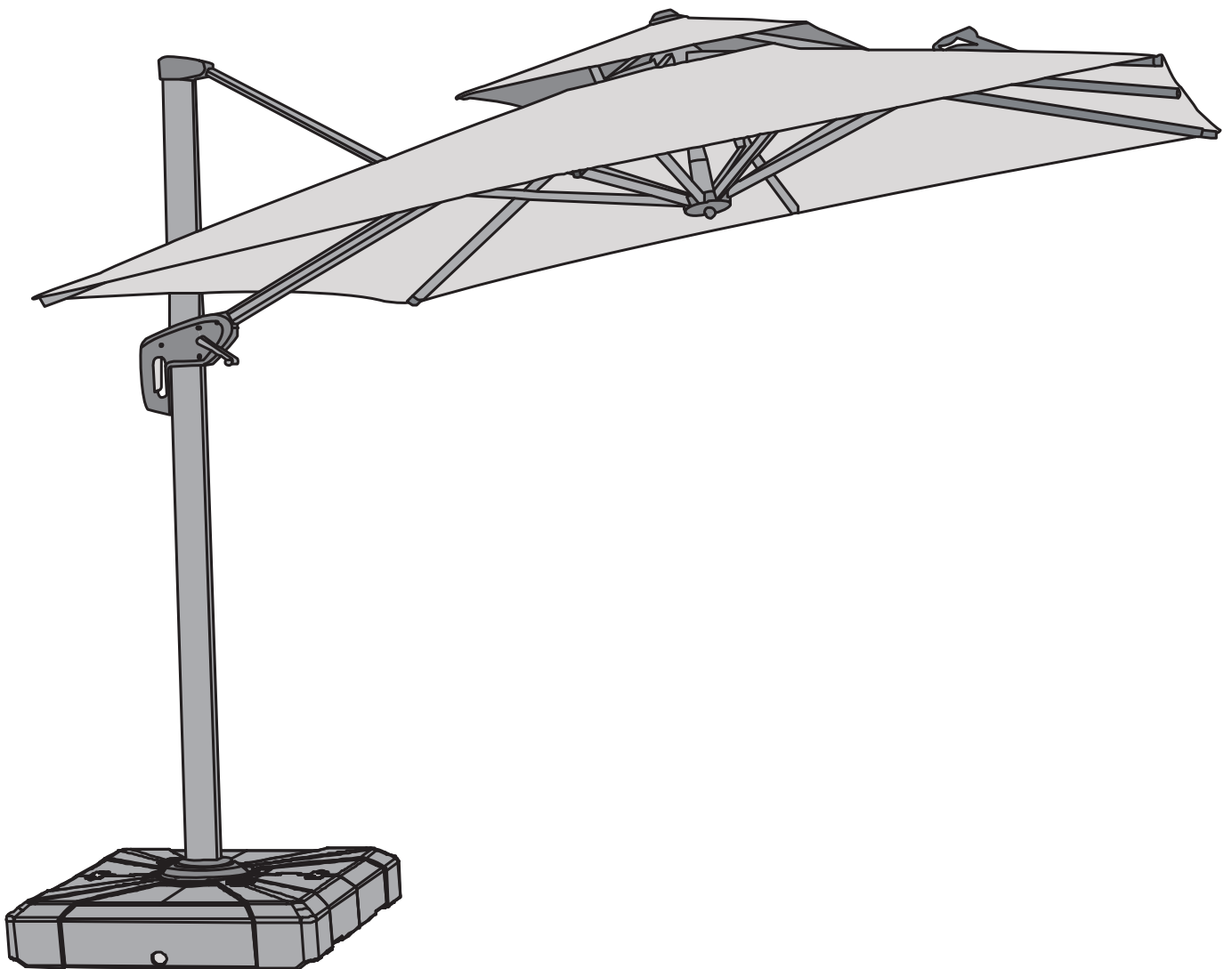
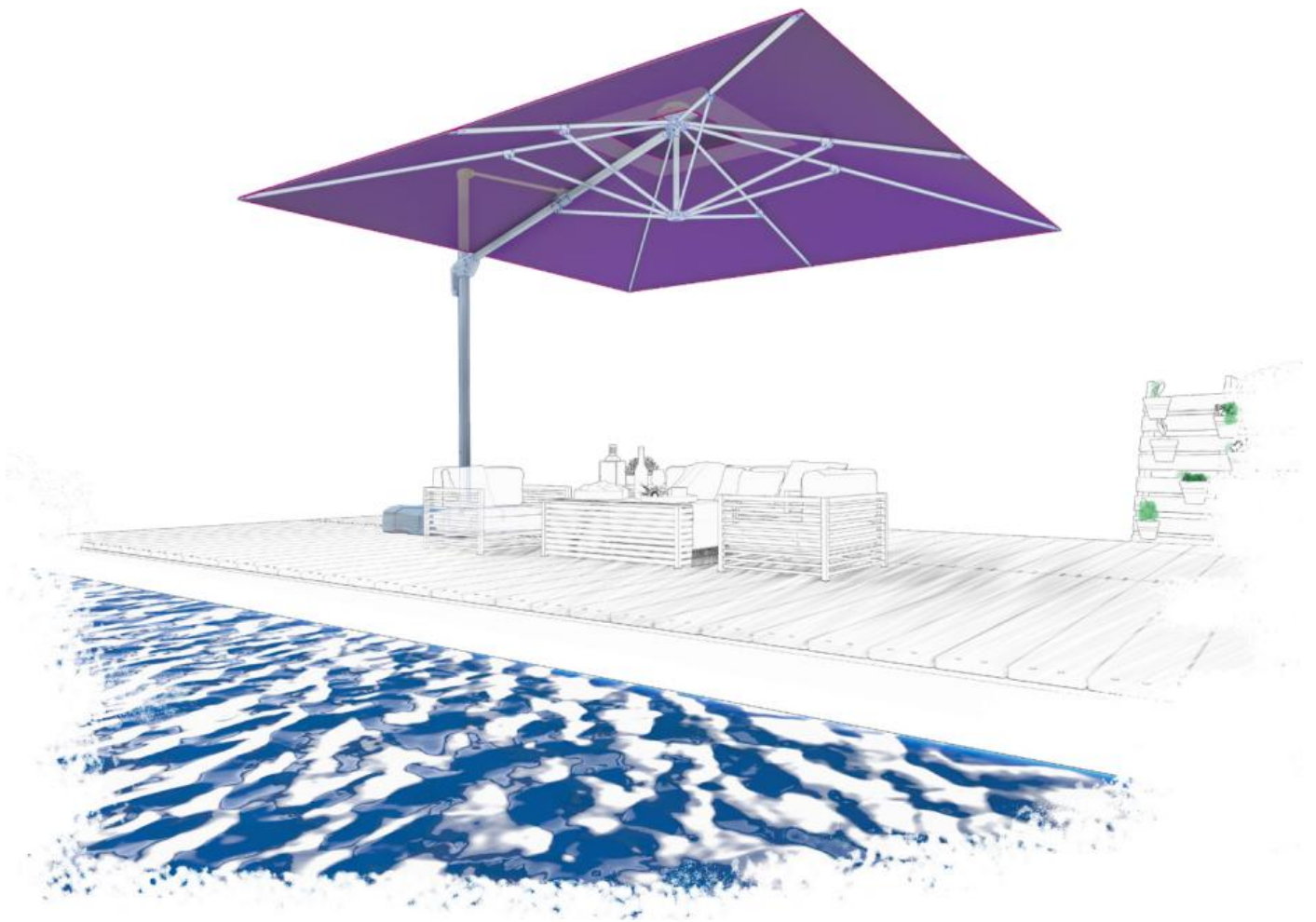


# **Umbrella**

**Assembly and Operation Manual**

**12'×12' Square**

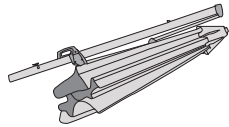




# Check List



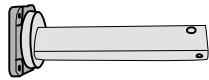
**A** × 1



**G** × 2



**B** × 1



**H** × 1



**B1** × 1

(M8 x 30)

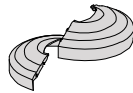


**I** × 2

(M4)



**C** × 1



**J** × 1

(M8 x 75)



**D** × 4

(M8 x 35)



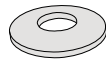
**K** × 1

(M6 × 12)



**E** × 5

(Ø8)



**L** × 4



**F** × 2



**Note:**

1. Part B1 screw are attached to the base tube. Remove it first before umbrella assembly.

2. Part J and part K are attached to the top. Remove them first to assemble the top.

# Important

**Prior to assembly, please read the precaution below:**

**NOTE:** Please check the part list and ensure you have all the parts before you start the installation. **DO NOT** discard any packaging or box until assembly is completed.

**LOCATION:**

- Allow ample height to avoid damage to your umbrella during assembly and usage.
- Choose a location that is level and sturdy.
- Consider a location that will maximize the umbrella's rotating swivel function. Placing the umbrella between two entertaining areas is ideal.
- To avoid personal injury or damage to the umbrella, make sure the area around you is clear from any outdoor structure or furniture.
- Keep all the flame and heat sources away from this umbrella.

**STORAGE:** Properly store the umbrella when not in use. Close the umbrella, fasten the strap around the canopy and cover the umbrella with a protective cover (sold separately).

**CAUTION:** Moving the umbrella when it is fully open will increase the risk of damage to your umbrella or will cause serious injury. We recommend a two-person team for assembly and disassembly.

# Top Assembly

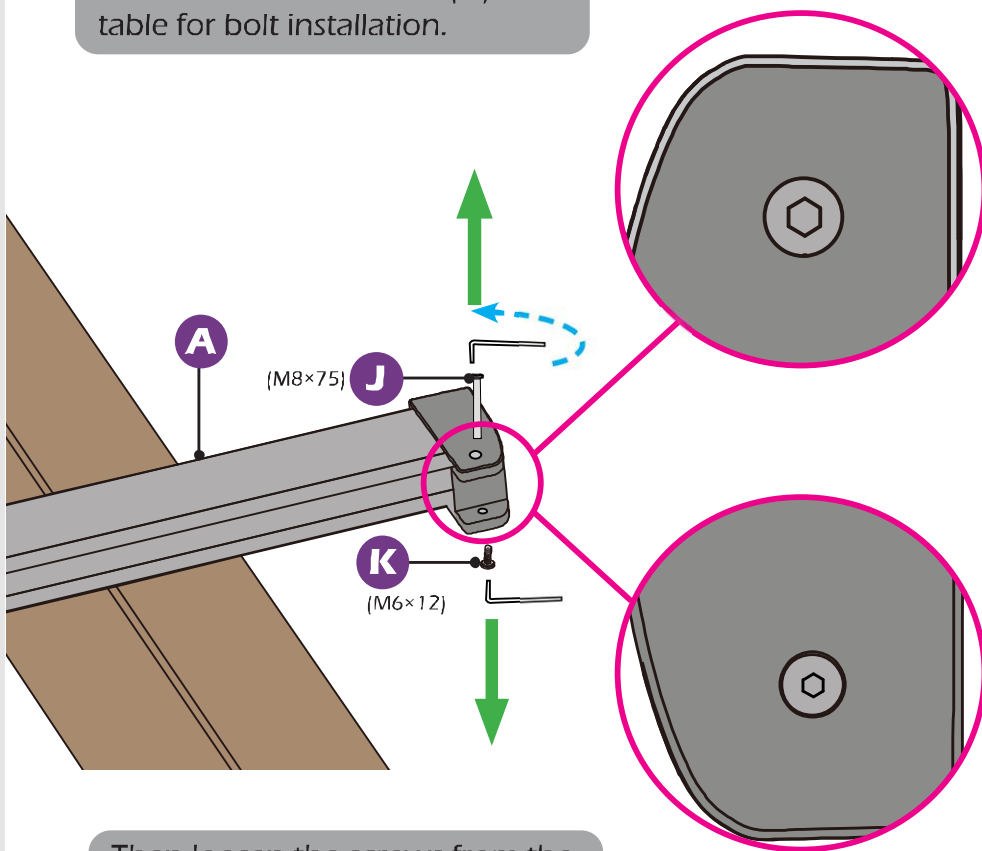


**J** X1  
(M8 x 75)

**K** X1  
(M6 x 12)

**I** X2  
(M4)

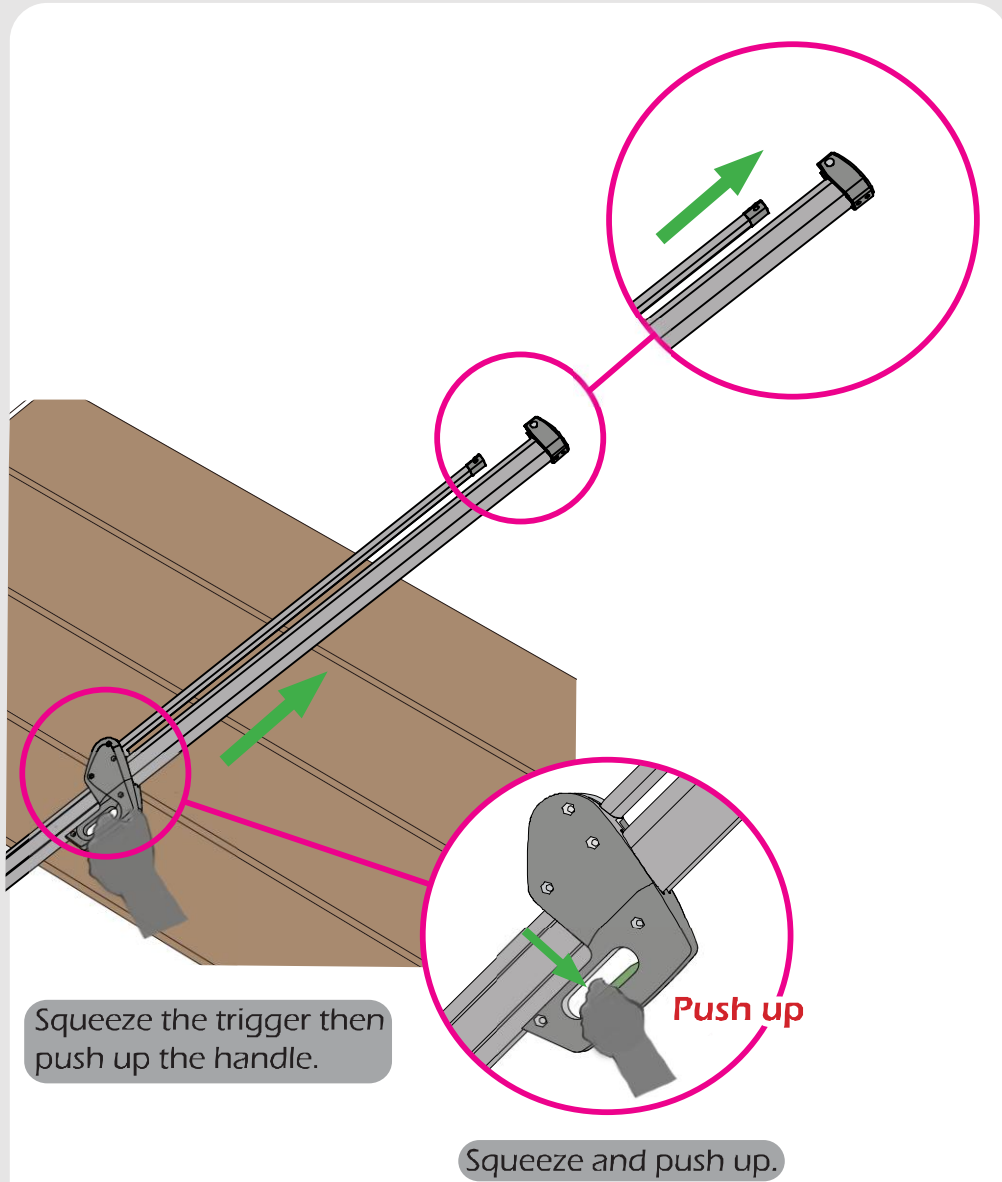
Place the umbrella frame (A) on a table for bolt installation.



Then loosen the screws from the top of the frame.

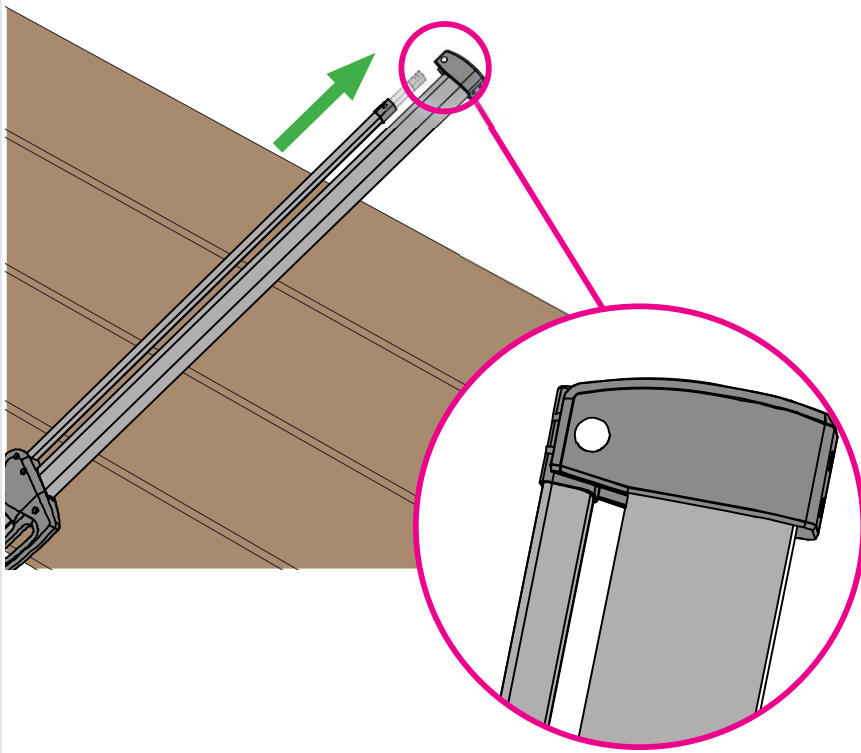
**STEP 1**

# Top Assembly



**STEP 1**

## Top Assembly



Til two poles can join together  
and the screw holes are line up.

**STEP 1**

## Top Assembly



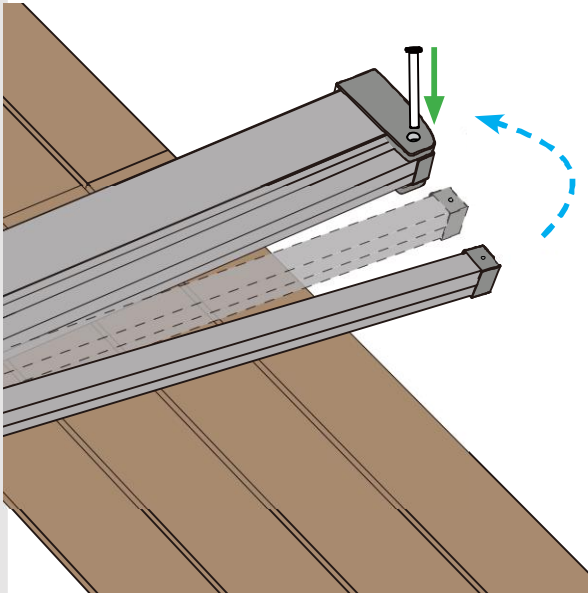
**J** X1  
(M8 x 75)



**K** X1  
(M6 x 12)



Join two pole parts together and line up their holes to install the screw.



**STEP 1**

## Top Assembly

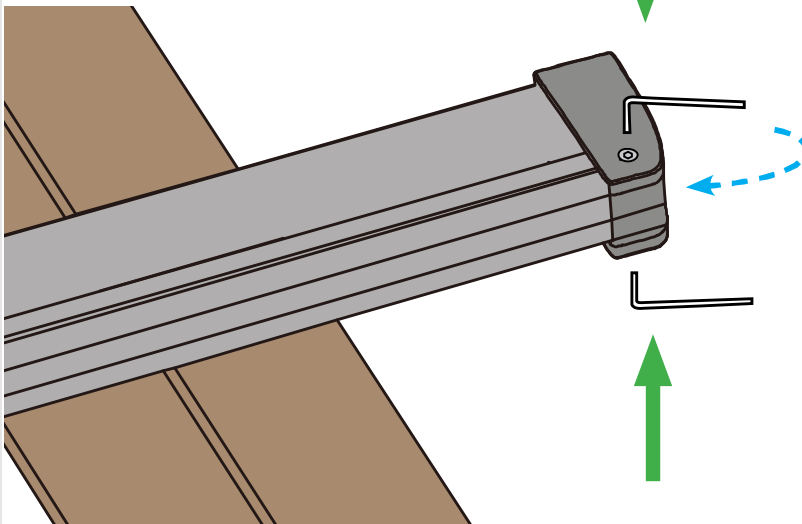


**J** X1  
(M8 x 75)

**K** X1  
(M6 x 12)

**I** X2  
(M4)

Tighten the screw back to the top of the frame.



Press against the bolt with one wrench while turning the other wrench until secure.

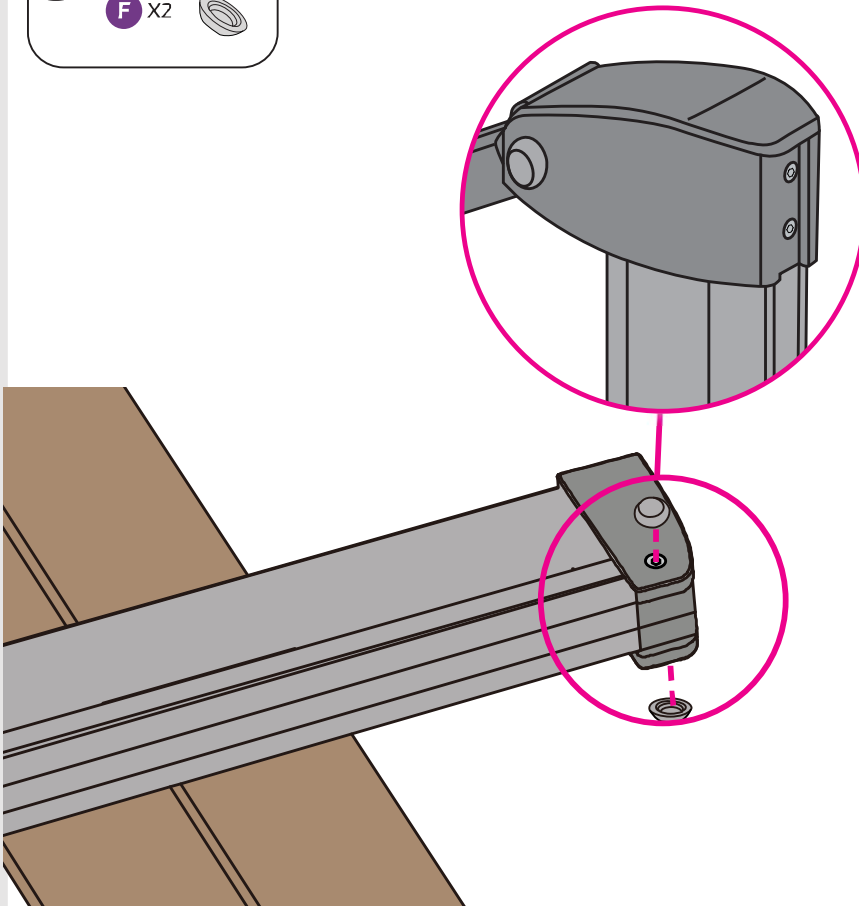
**Note:** Be sure that the bolts are tightened.

**STEP 1**

## Top Assembly



F x2

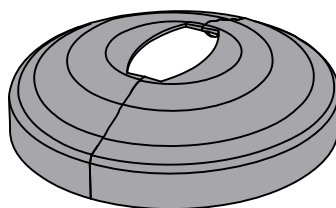
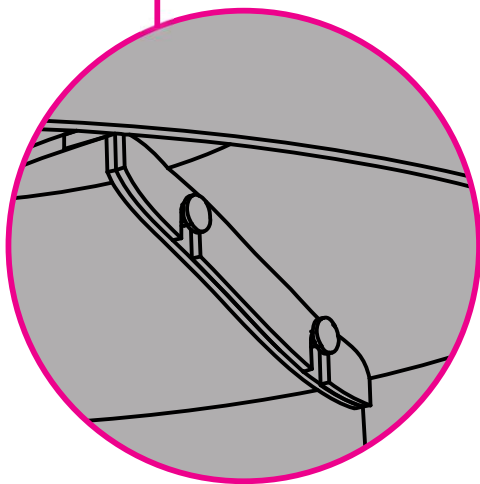
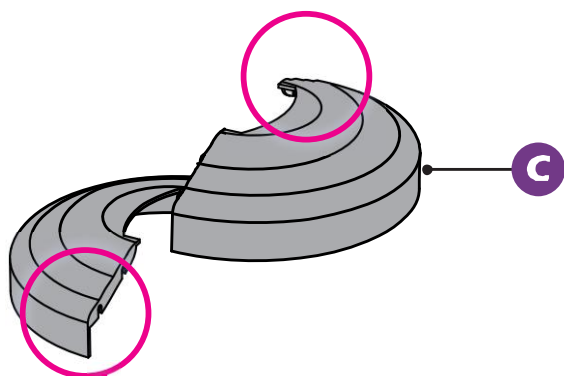


Cover two plastic caps to the bolt and nut.

**STEP 1**



C x1



**STEP 2**

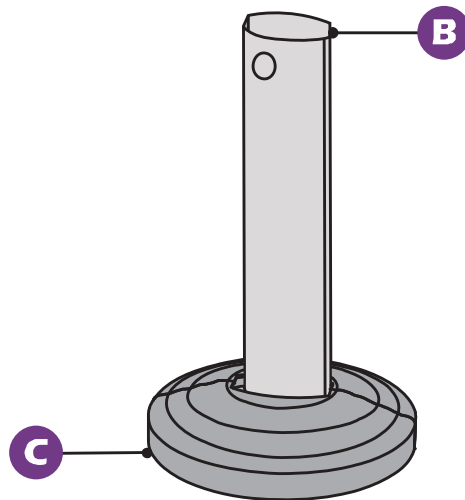
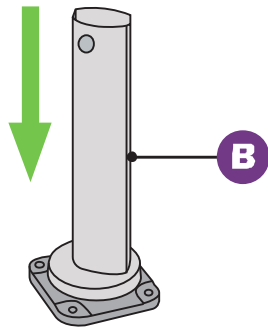
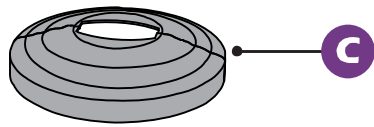
## Cover plate installation



**B** X1



**C** X1



**STEP 2**

# Base Tube Assembly



**B** X1



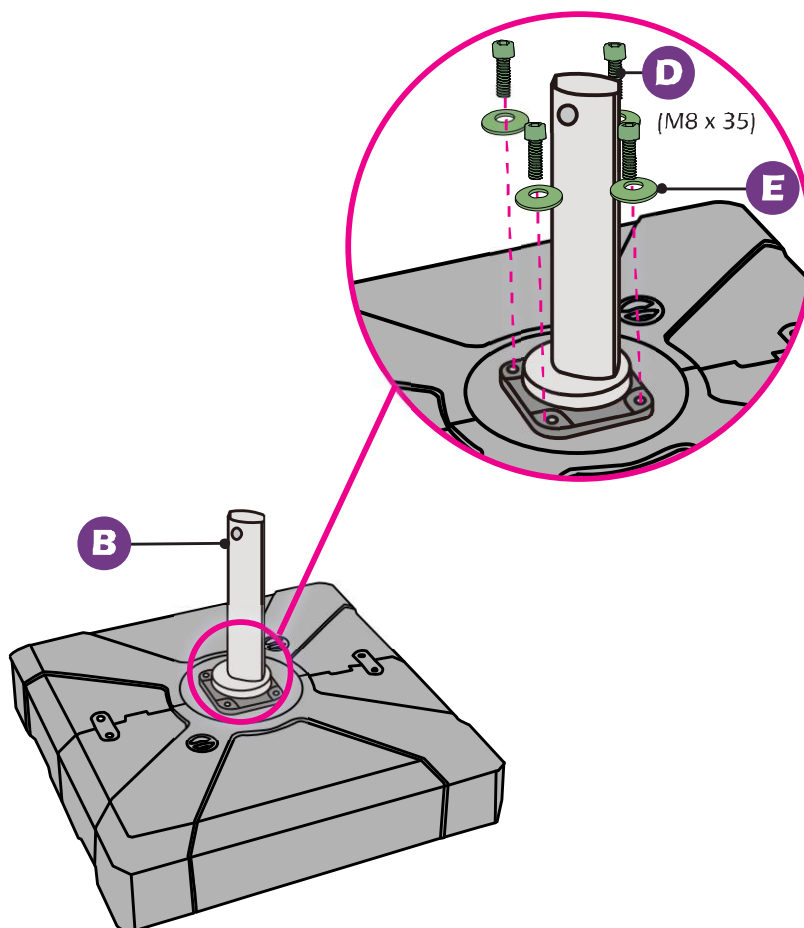
**D** X4  
(M8 x 35)



**E** X4



**Option 1 / Sand/Water Tank Base  
(Sold Separately)**



**STEP 3**

# Base Tube Assembly



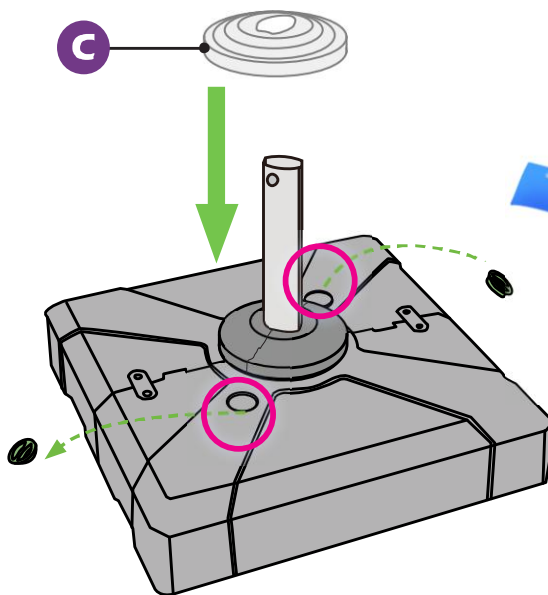
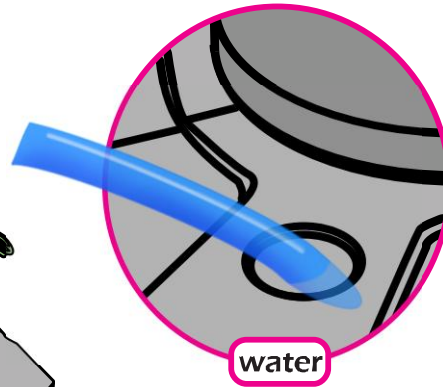
C X1



Fill the base with at least 50% sand and the rest with water.



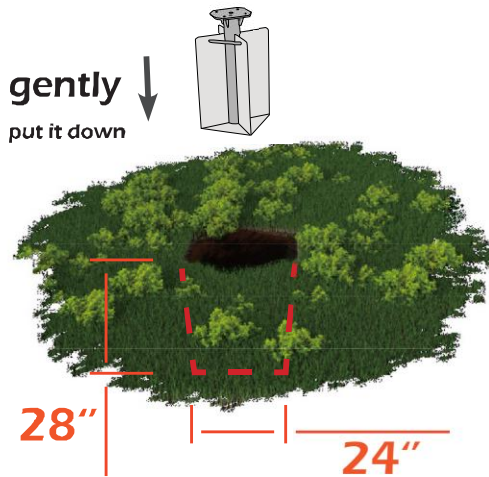
and



**STEP 3**

# Base Tube Assembly

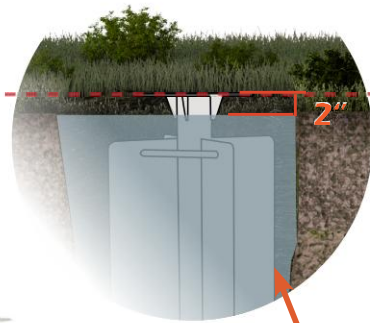
## Option 2 / Inground Base (Sold Separately)



Dig a hole roughly 28" deep and 24" across. Gently put the inground base in the hole and make sure it is level before backfill the hole with concrete.

That is horizontal.

Concrete >700lbs



concrete

**STEP 3**

# Base Tube Assembly



**B** X1



**C** X1



**D** X4  
(M8 x 35)



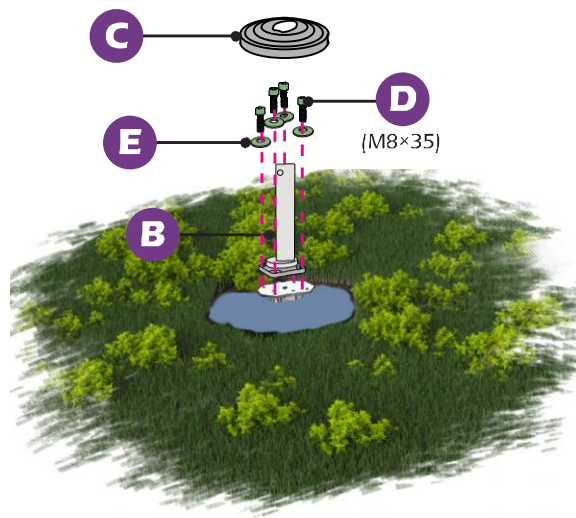
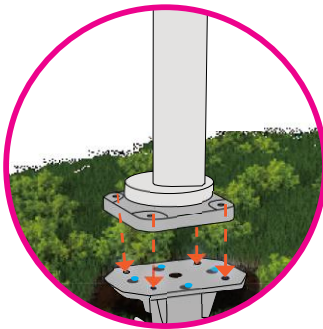
**E** X4



Install the umbrella after the concrete is cured.

 Standard umbrella

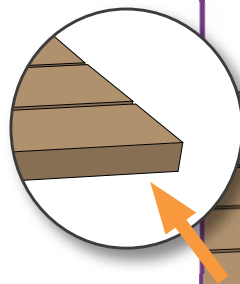
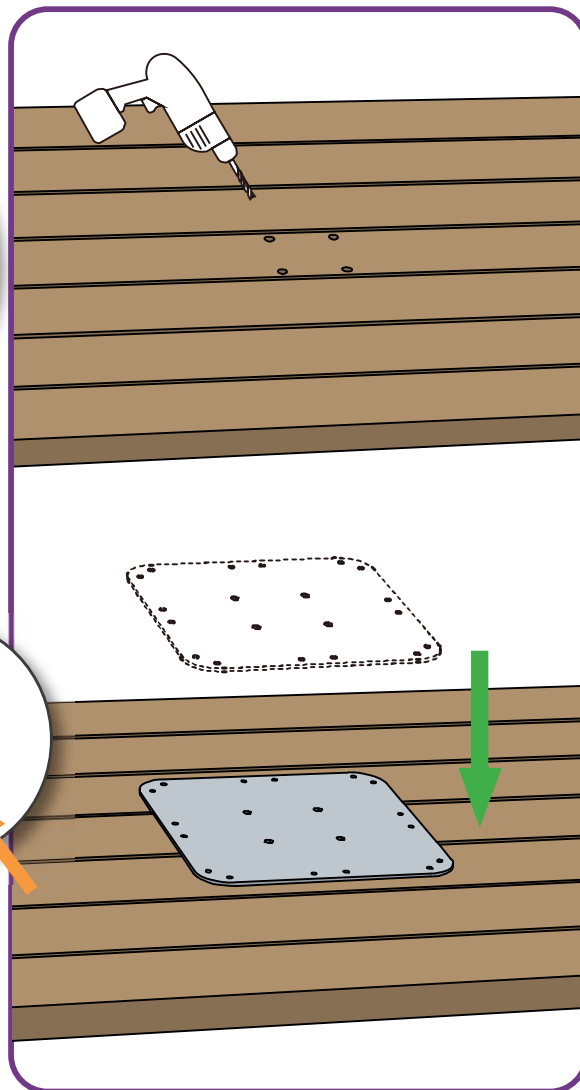
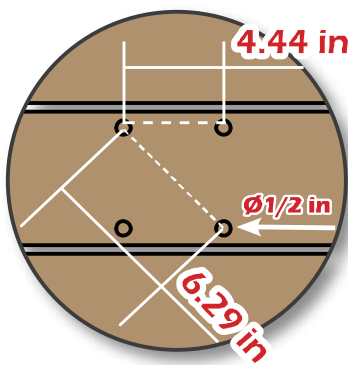
 For special accessories



**STEP 3**

# Base Tube Assembly

Option 3 / Baseplate  
(Sold Separately)



If the deck is hardwood, the required depth should be more than 0.5 inches.

**STEP 3**

# Base Tube Assembly



**B** X1



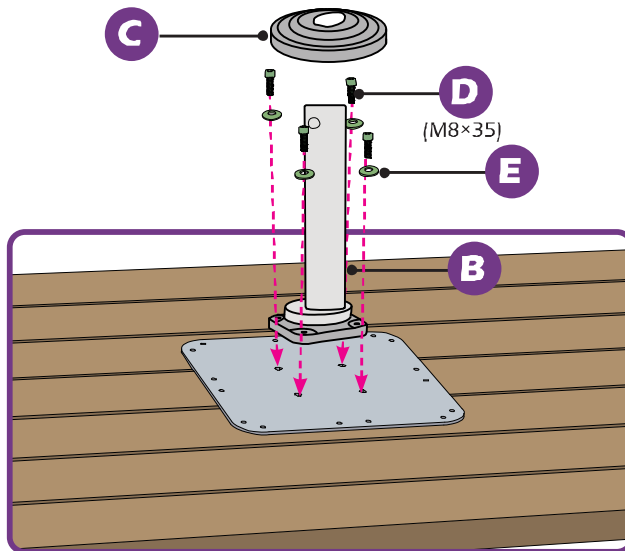
**C** X1



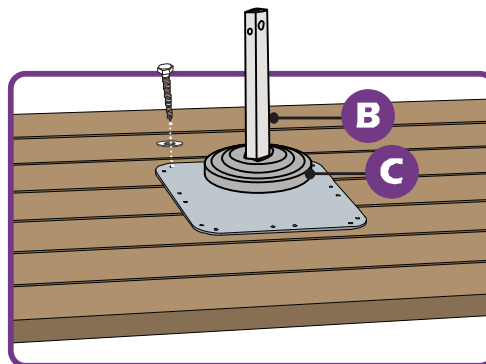
**D** X4  
(M8 x 35)



**E** X4

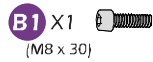


Use **1/4 inch** -diameter galvanized/stainless lag screws to mount the plate to the deck (included in the base plate package).

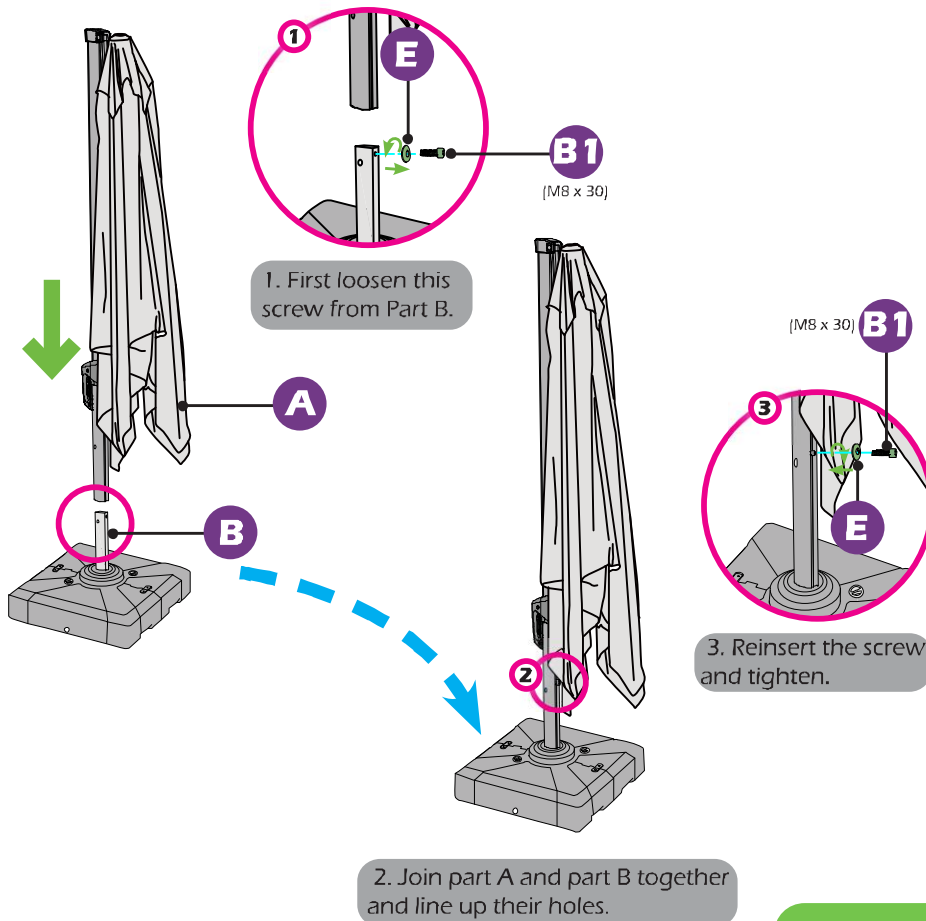


**STEP 3**

# Umbrella Assembly



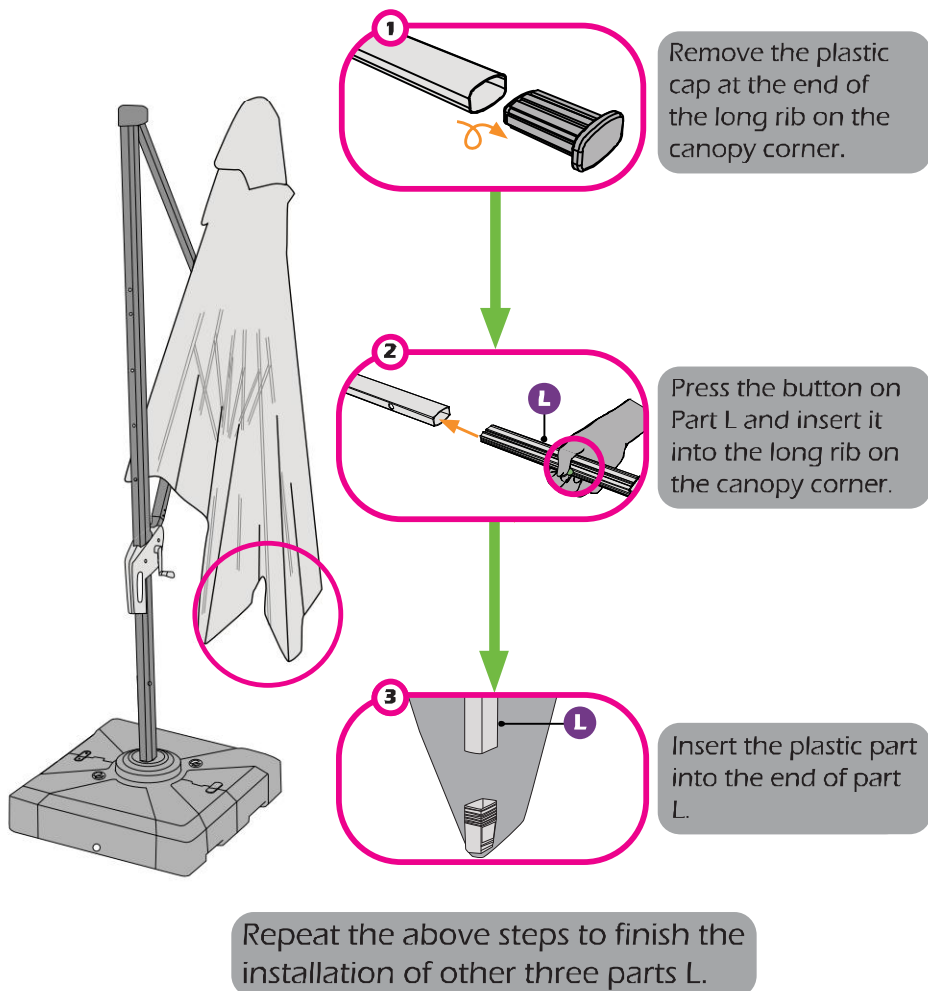
**Note:** Two-persons recommended for team lift and to complete assembly.



**STEP 4**

# Operation

**CAUTION:** You may choose to open the canopy a bit to install the parts L. Be sure to remove all the protective material inside.

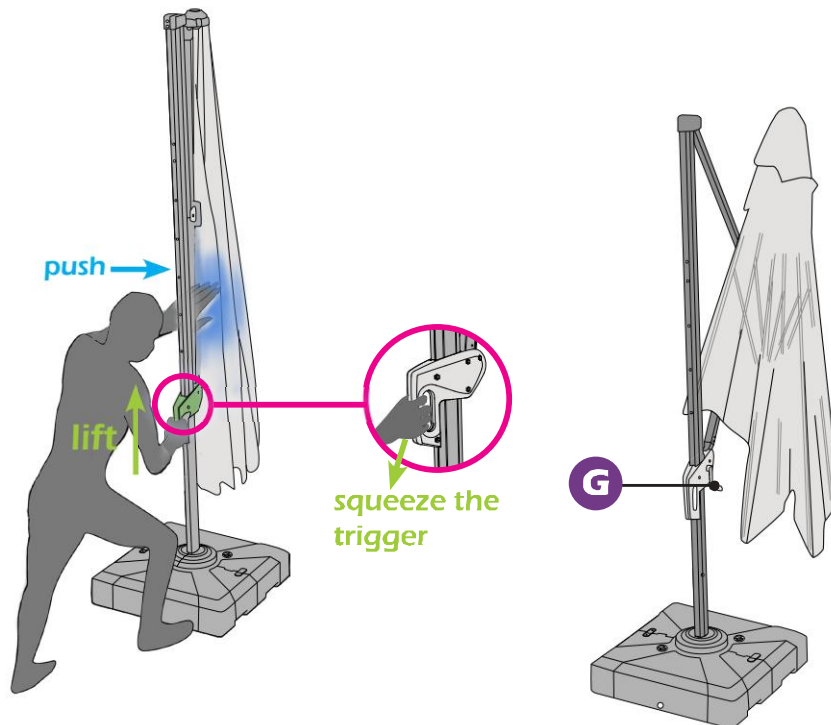


## STEP 5

# Operation

## To Open Canopy

1. Squeeze the trigger and push out the support arm to lift the handle up. Release the trigger to lock the handle in your desired position.
2. Insert the **hand crank (G)** into the small hole of the handle on the post.

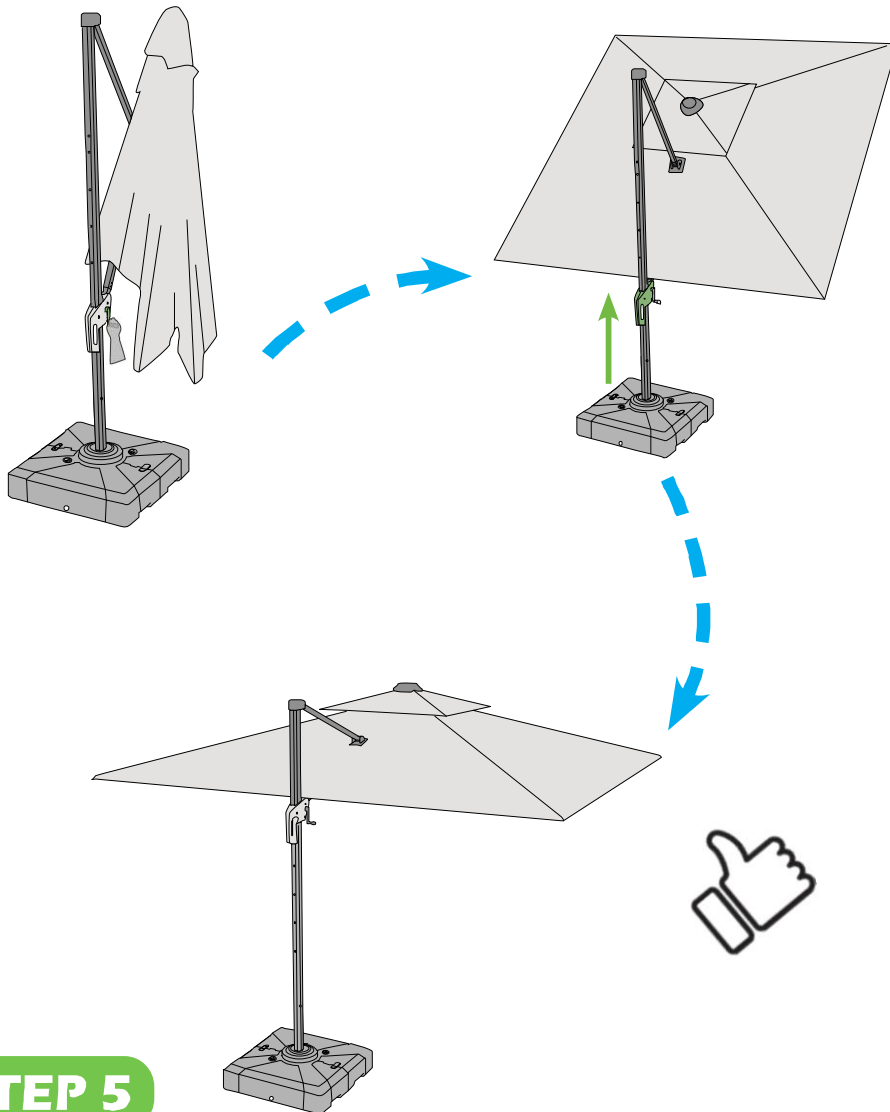


**Note:** Be mindful of the packaging in the umbrella canopy. It **MUST** be removed before opening.

**STEP 5**

# Operation

Turn the hand crank clockwise to open the canopy.

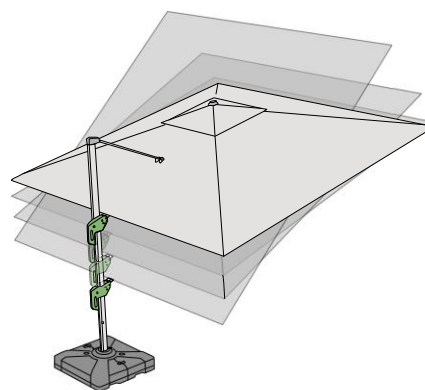
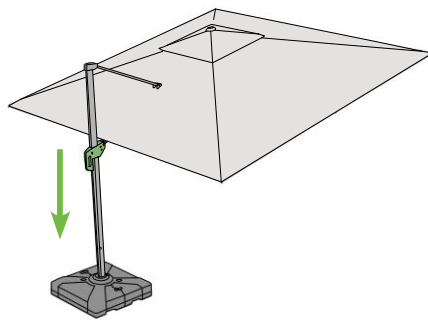


# Operation

## To Tilt Canopy

Press on the handle trigger and move the handle up and down to adjust the angle of the umbrella canopy.

**IMPORTANT:** PRIOR TO USING THE TILT FUNCTION, To avoid personal injury or damage to the umbrella, make sure the area behind you is clear and free from any furniture or structure.

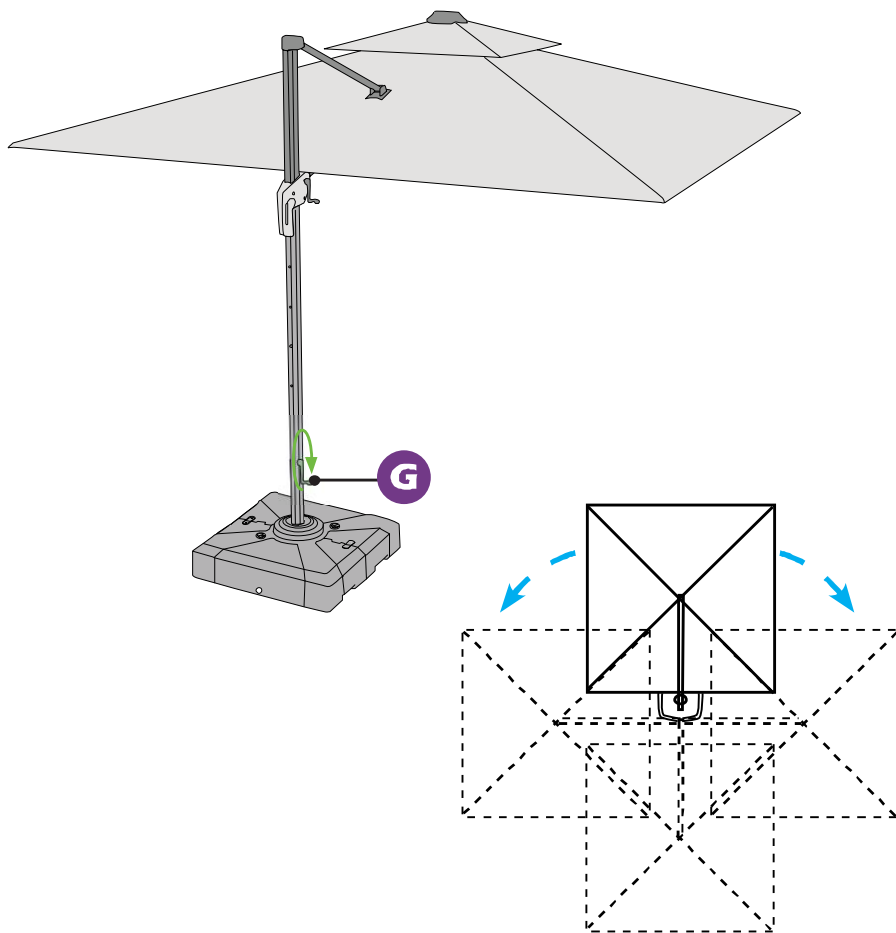


**STEP 5**

# Operation

## To Operate the 360° Rotation

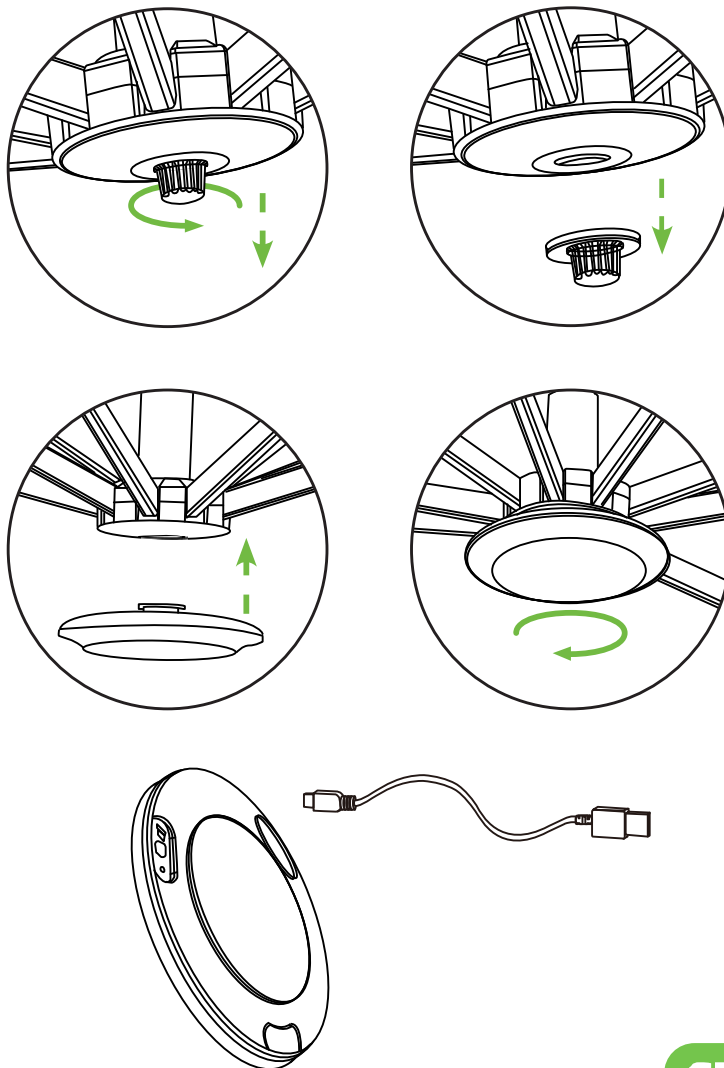
Insert the hand crank (G) into the hole near the bottom of the umbrella, turn the crank to rotate it.



**STEP 5**

# Operation

## To Install Umbrella Light (Sold Separately)



**STEP 5**

# Notification

## WARRANTY

### Frame

Frames are warranted to be free from defects in materials and workmanship for a period of one year. Damage to frames or welds due to improper assembly or exposure to water and sub-freezing temperatures is not covered.

### Fabric

Fabric is warranted for a period of three years. Fading or discoloration resulting from exposure to the elements, chemicals, or from spills is not covered.

### Finish

The finish is warranted against peeling, cracking, or blistering for a period of one year, provided the unit has not been scratched or abraded. Scratches and chips resulting from abnormal wear and tear are not covered. Fading resulting from exposure to elements is not covered.

### Note

All operation should be according to the instruction manual.

### Exclusions

Warranty only applies to the original purchase order from Purple Leaf.

Failure caused by unreasonable or abusive use;

Failure caused by neglect of reasonable and necessary care;

Damage to the umbrella due to the animal is not covered.

Acts of nature (including but not limited to wind, hurricanes, tornados, and storms) are not covered by this warranty.

## STEP 6

## Notification

### **SAFETY PRECAUTIONS**

Close the umbrella in windy conditions or when a storm approaches.

Never allow the umbrella to flap in the wind. This could damage the canopy.

Do not leave an open umbrella unattended. If damage occurs, this is not covered by the warranty.

When adjusting the umbrella, make sure that no person(s) or item(s) is close to the umbrella. This is important to prevent injury or material damage.

### **Care And Maintenance**

If necessary, clean the fabric with lukewarm water. Allow a wet canopy to dry slightly opened, but do not leave unattended.

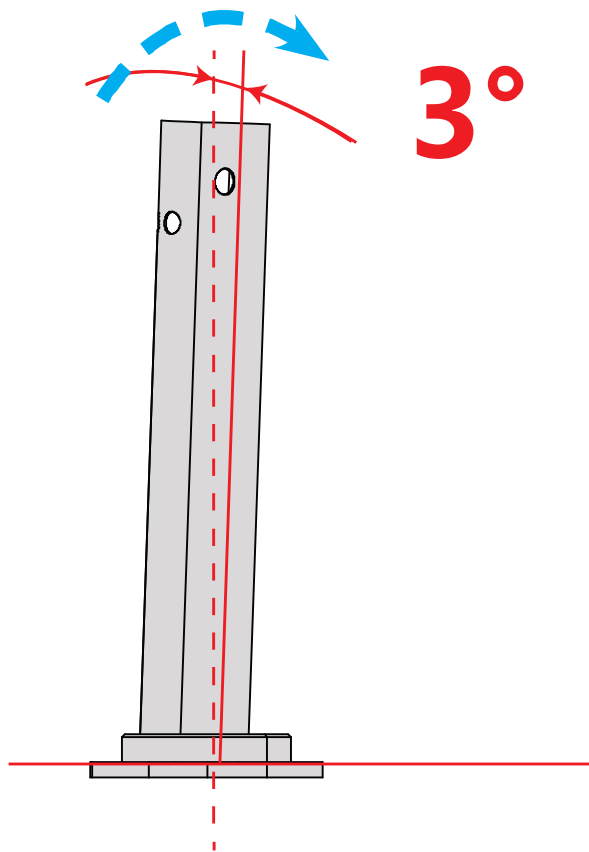
Wipe sliding marks on the aluminum poles with a damp cloth.

Winter Storage: Store in A Dry Place.

**STEP 6**

## Attention

Umbrella base tube has  $3^\circ$  backward to the vertical for engineering purpose.



**STEP 7**