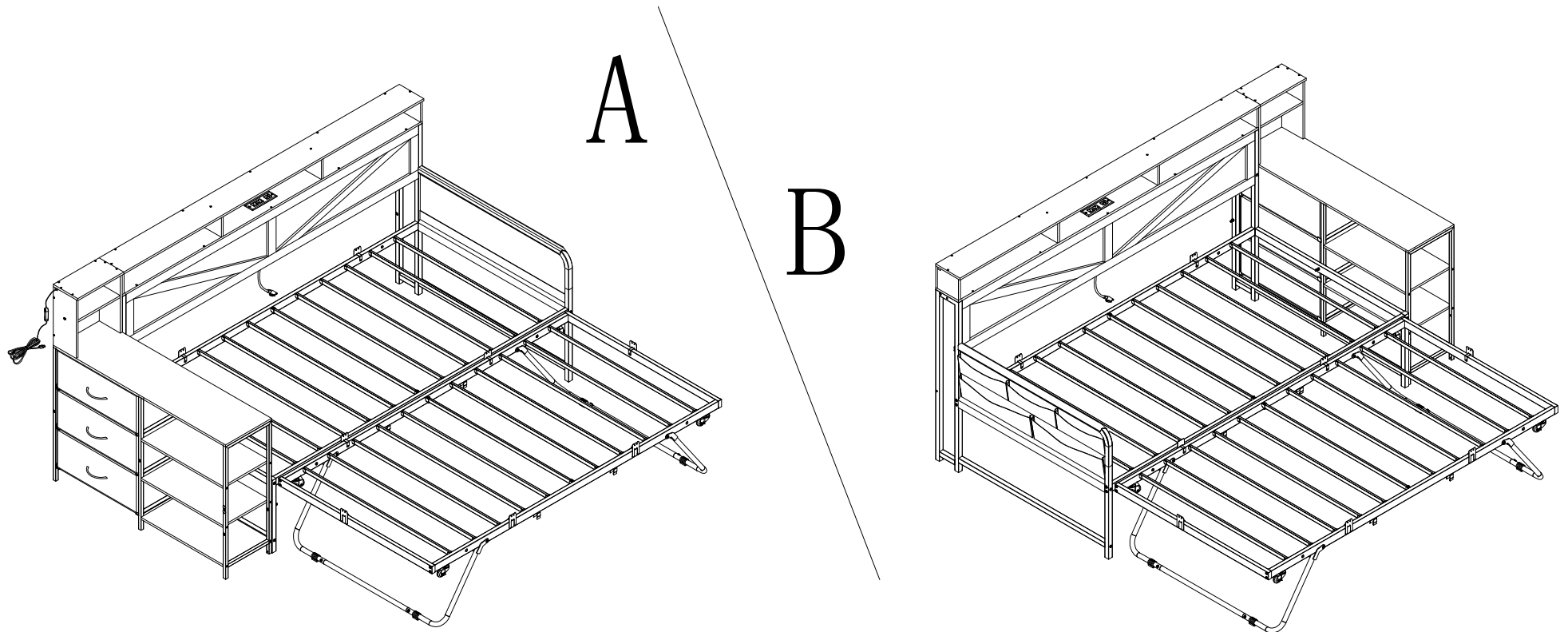


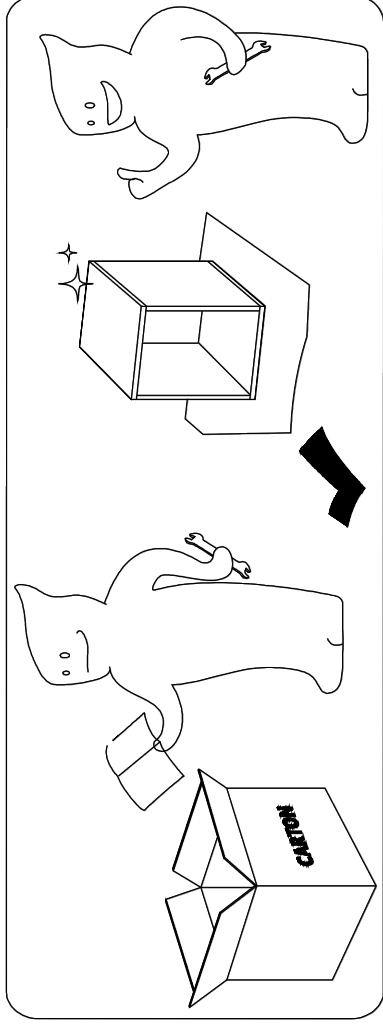
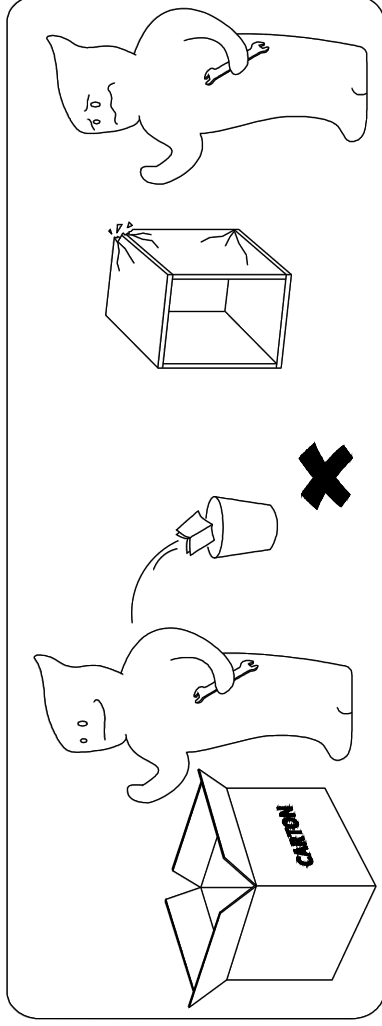
DJ504222



Attention: Please don't tighten the screws completely and go back later for a final tightening of all the screws after pieces are aligned with each other.

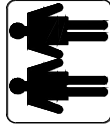
# ! IMPORTANT

Please follow the instruction manuals and use a pad to protect the product during your assembly.

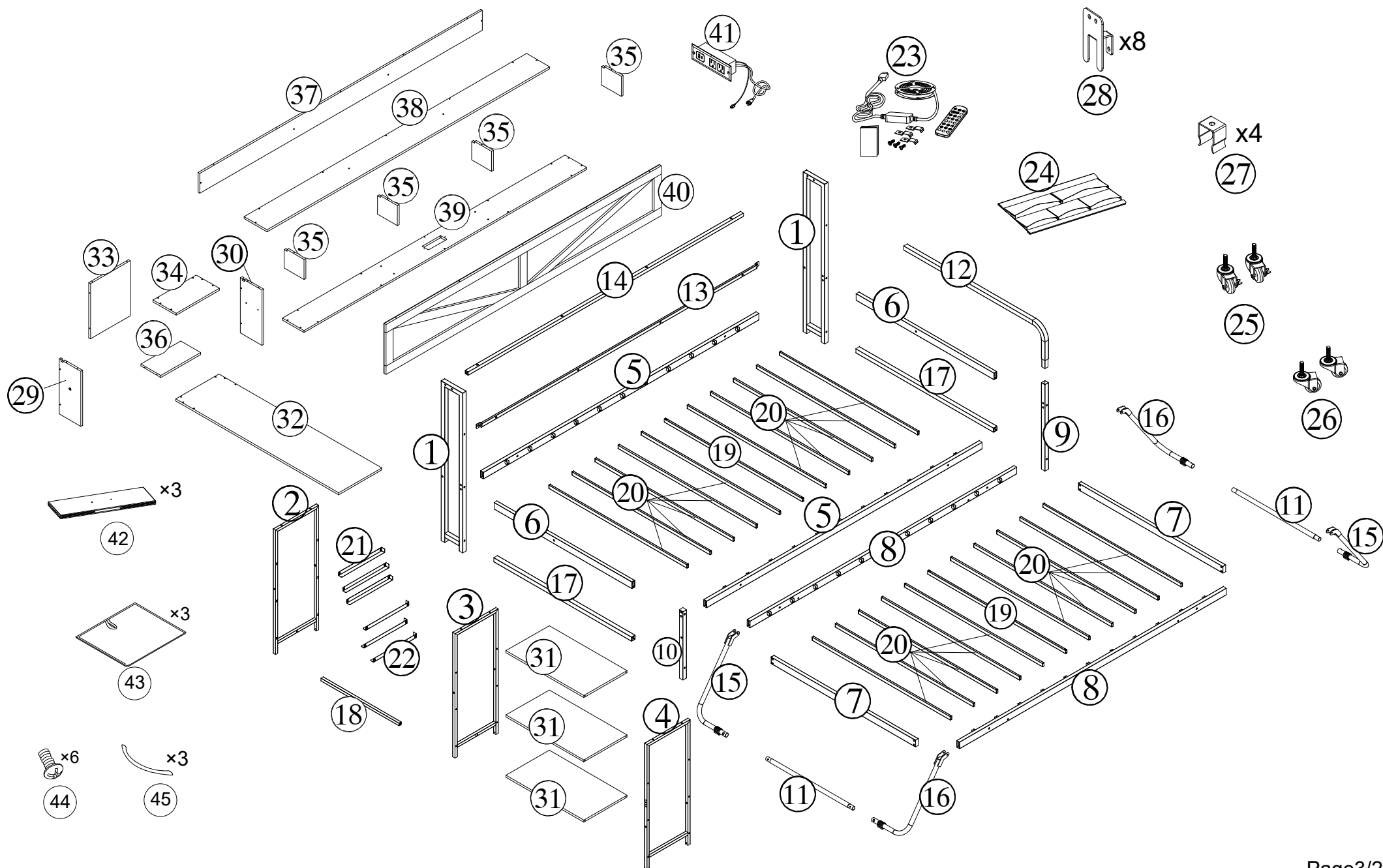


**Note:**

1. Should be assembled on flat ground to keep balance.
2. Before completing the installation, do not tighten the screws.



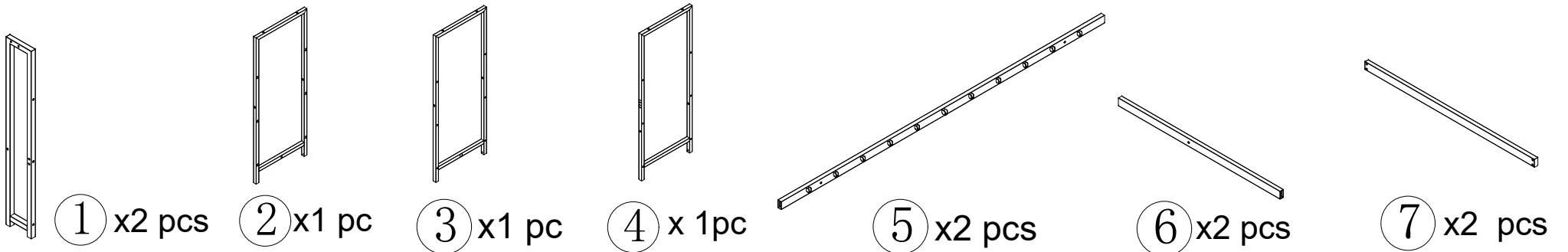
For easier and better assembly, 2 or more adults are required.

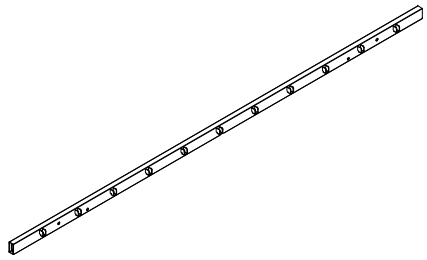


## Hardware Parts

<b>A</b>		M4*12mm	2+1	<b>I</b>		M6*60mm	2+1	<b>Q</b>		4#	1
<b>B</b>		M6*15mm	12+1	<b>J</b>		M5*40mm	59+5	<b>R</b>		4#	1
<b>C</b>		M6*20mm	4+1	<b>K</b>		M6	6+1	<b>S</b>		M6*15	3
<b>D</b>		M6*25mm	6+1	<b>L</b>		Ø5*17mm	4+1				
<b>E</b>		M6*28mm	8+1	<b>M</b>		Ø9	14+1				
<b>F</b>		M6*34mm	10+1	<b>N</b>		Ø14	2+1				
<b>G</b>		M6*40mm	2+1	<b>O</b>		3#	2				
<b>H</b>		M6*45mm	25+2	<b>P</b>		4#	1				

## Part list





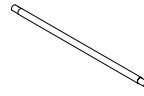
8 x2pcs



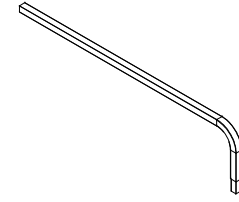
9 x1 pc



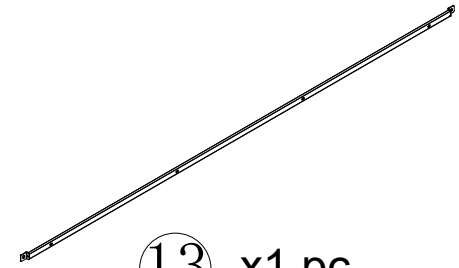
10 x 1pc



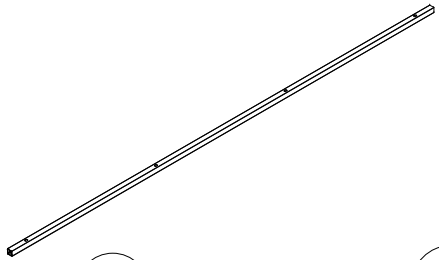
11 x2 pcs



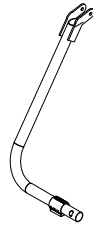
12 x1 pc



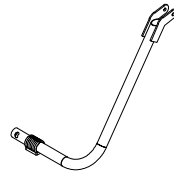
13 x1 pc



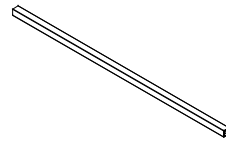
14 x1 pc



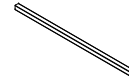
15 x2 pcs



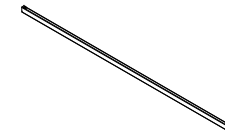
16 x2 pcs



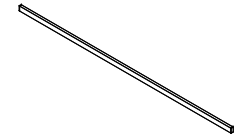
17 x 2 pcs



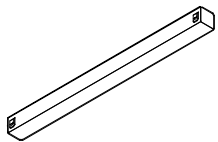
18 x1 pc



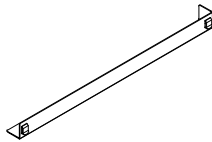
19 x2 pcs



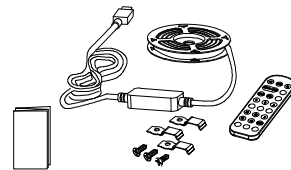
20 x20 pcs



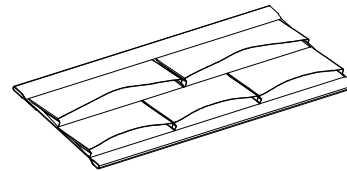
21 x3 pcs



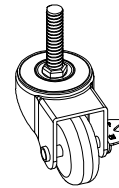
22 x3 pcs



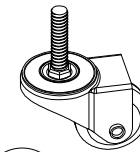
23 x1 pc



24 x1 pc



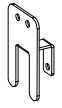
25 x2 pcs



26 x2pcs



27 x4pcs



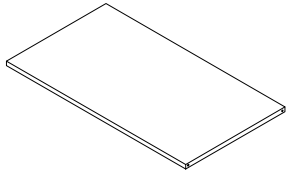
28 x8 pcs



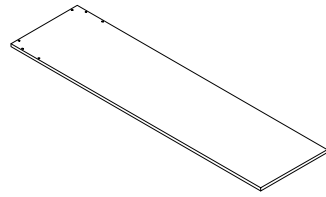
29 x1 pc



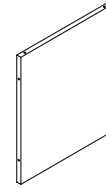
30 x1 pc



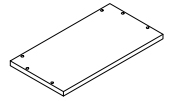
31 x3 pcs



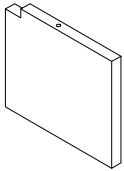
32 x1 pc



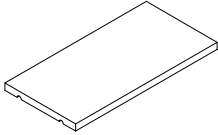
33 x1 pc



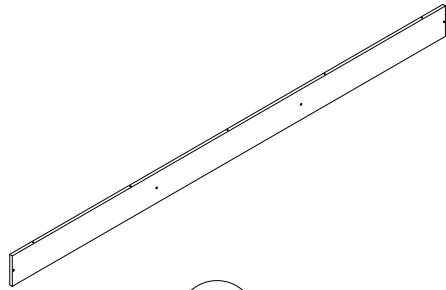
34 x1 pc



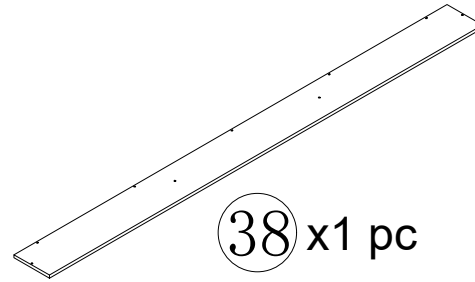
35 x4 pcs



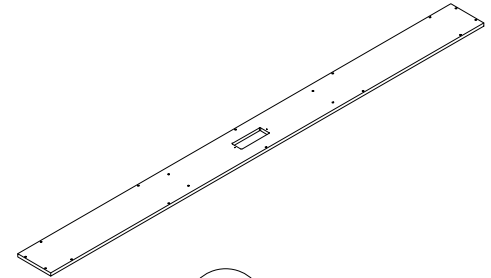
36 x1 pc



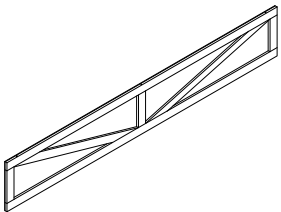
37 x1 pc



38 x1 pc



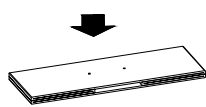
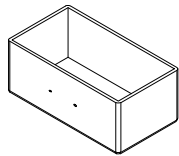
39 x1 pc



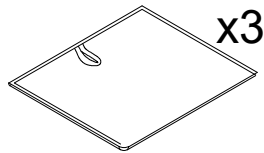
40 x1 pc



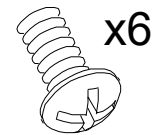
41 x1 pc



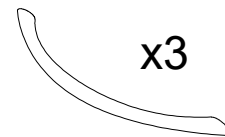
42 x3 pcs



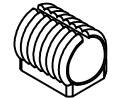
43 x1 pc



44 x1 pc



45 x1 pc

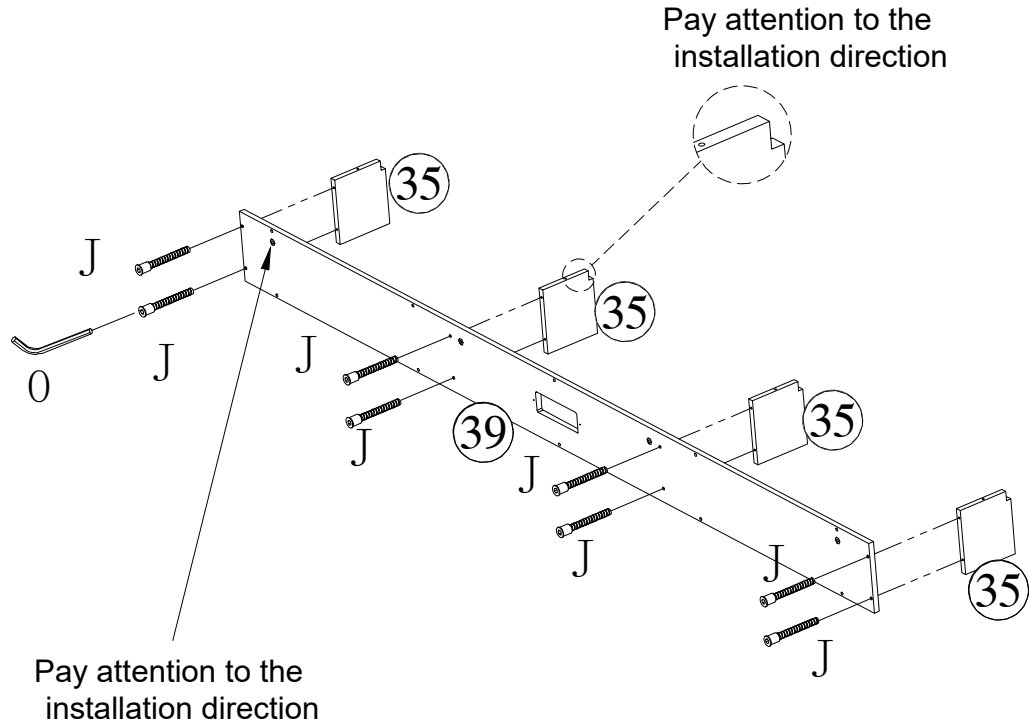


x2 pcs Spare parts

105

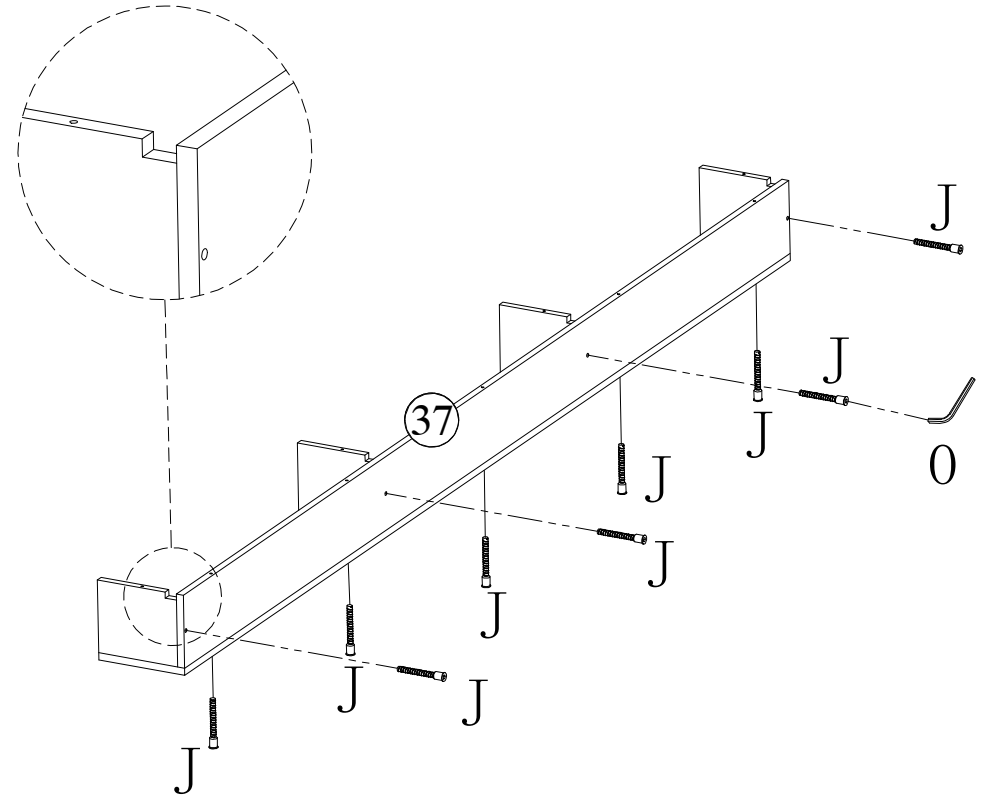
# Step: 1

J M5\*40  
x8



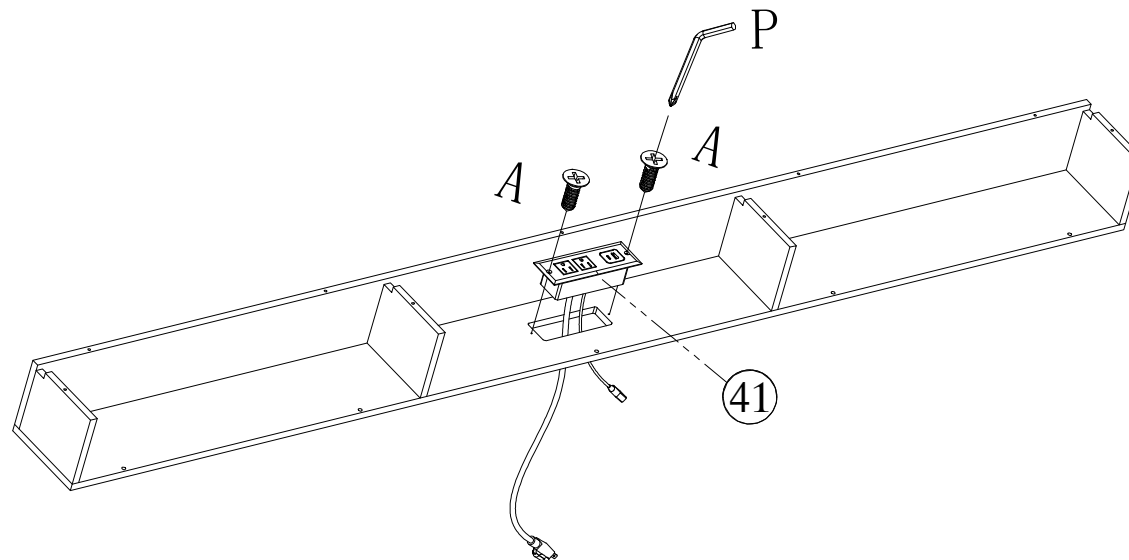
# Step: 2

J M5\*40  
x9




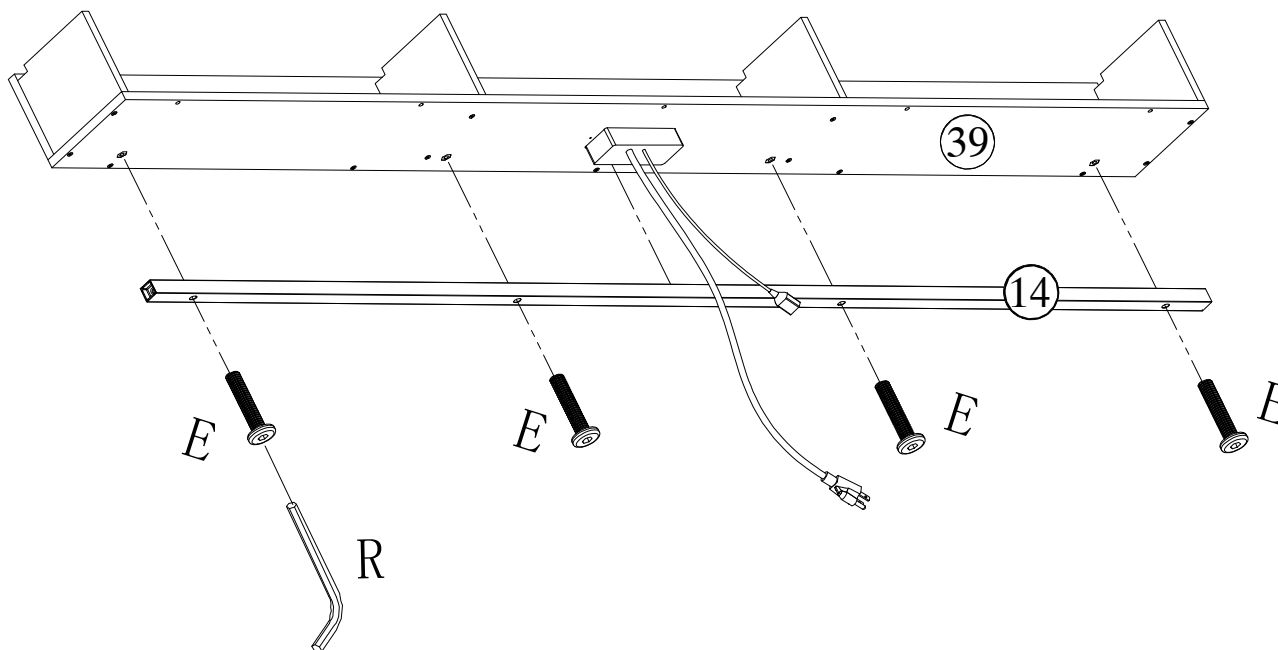
# Step: 3

A M4\*12  
 x2

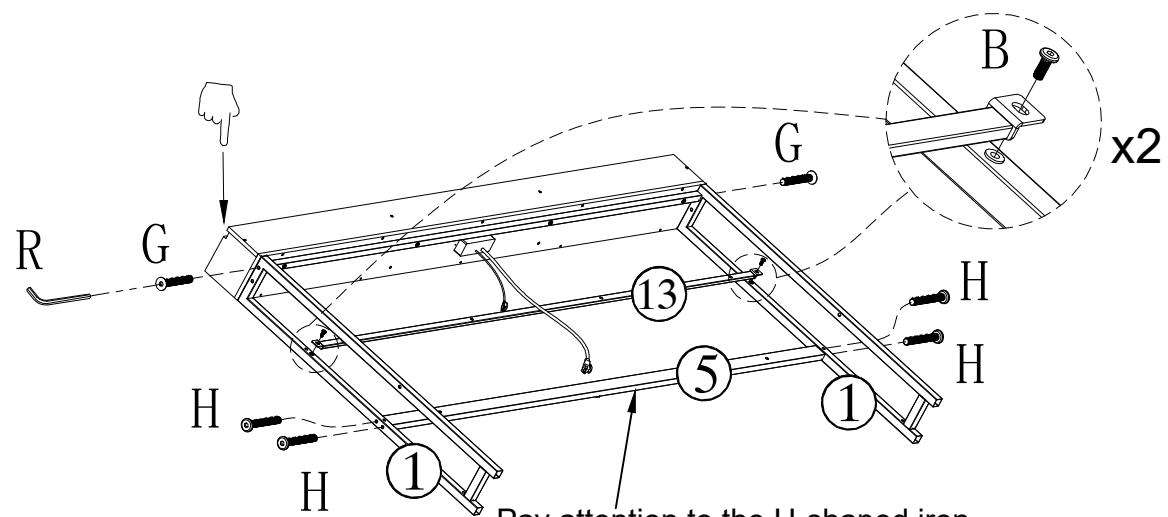


# Step: 4

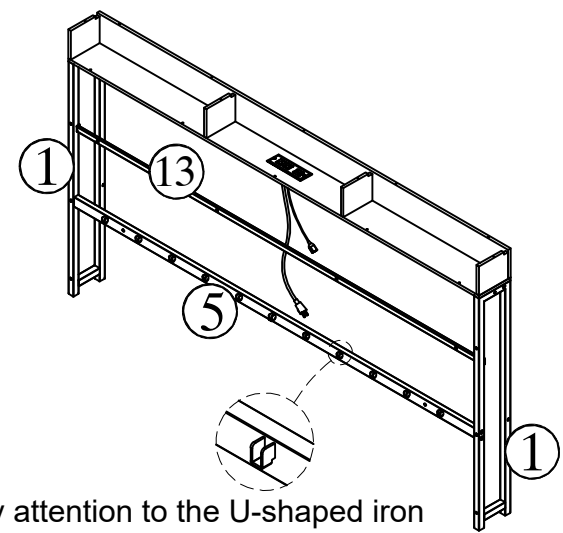
E M6\*28  
 x4



# Step: 5



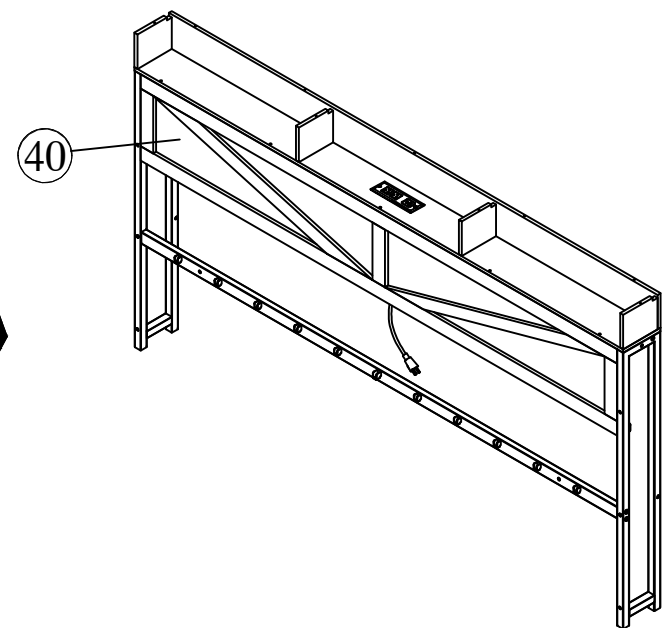
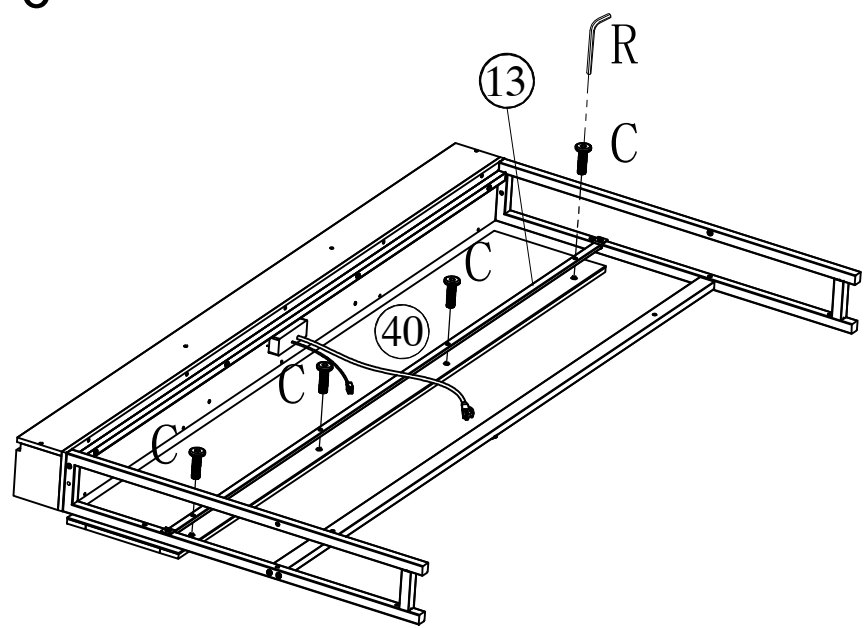
Pay attention to the U-shaped iron component on part 5 with its opening facing upwards, Please refer to the image on the right



Pay attention to the U-shaped iron component on part 5 with its opening facing upwards

- B M6\*15  
x2
- H M6\*45  
x4
- G M6\*40  
x2

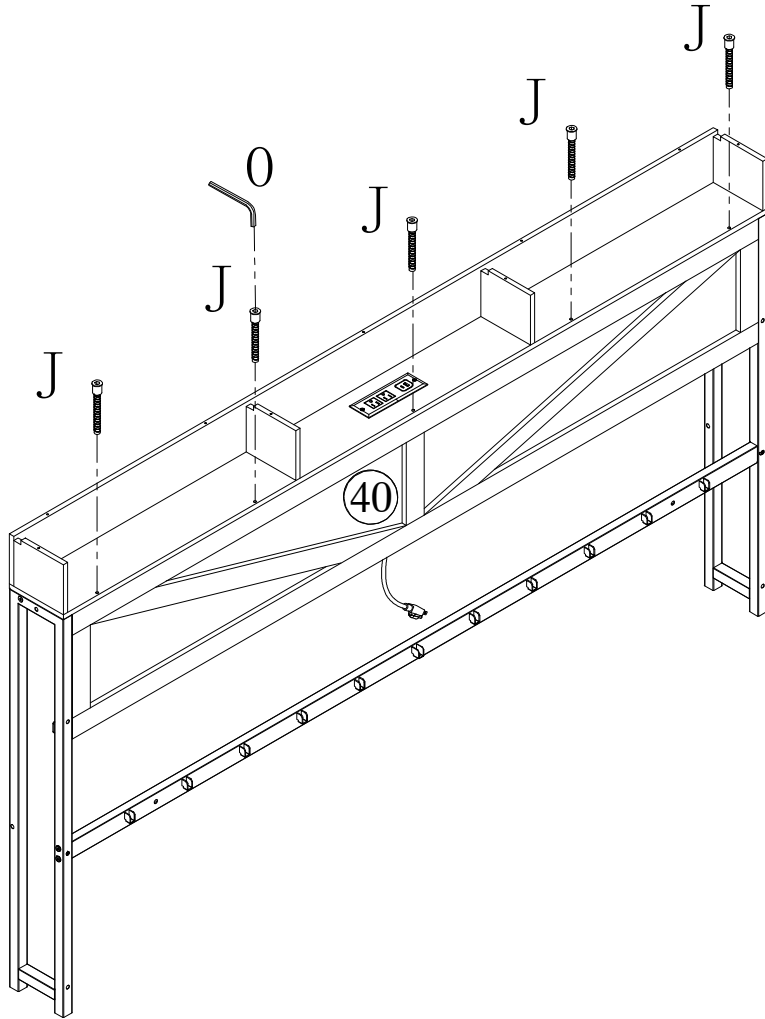
# Step: 6



- C M6\*20  
x4

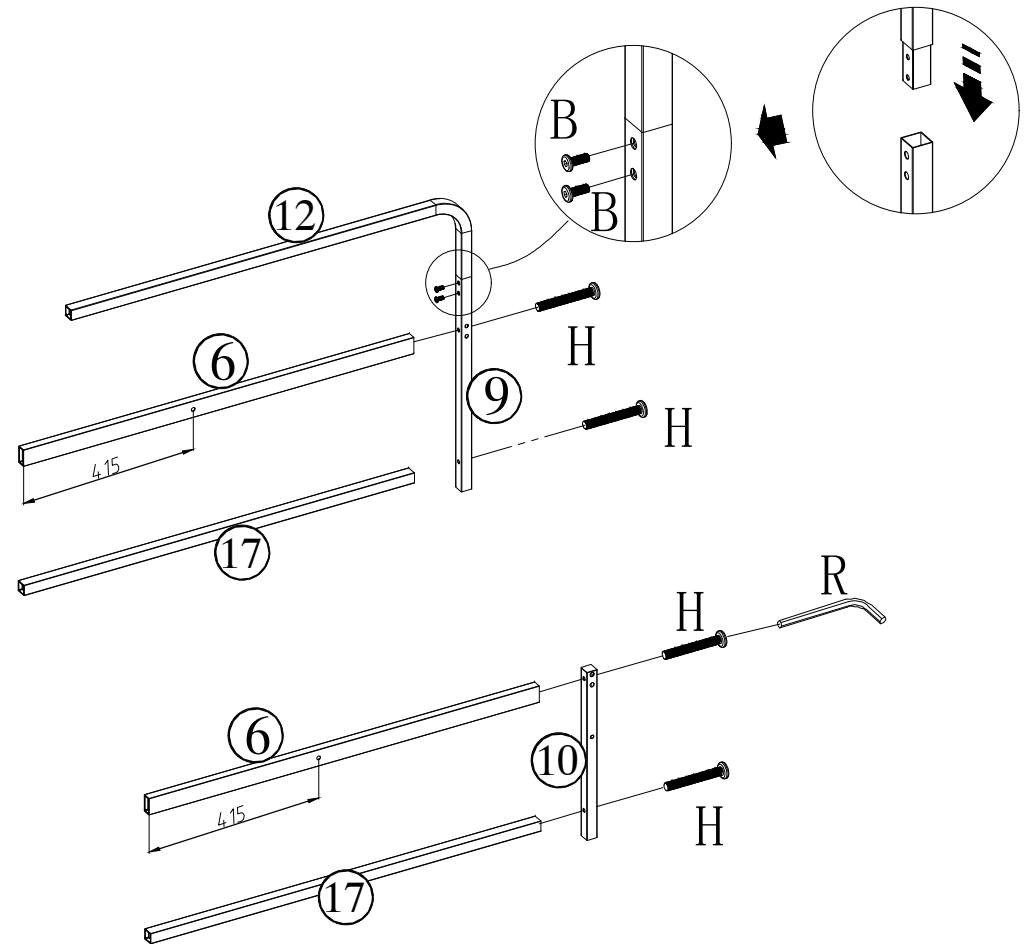
# Step: 7

J M5\*40

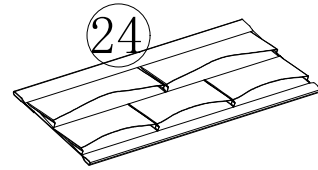
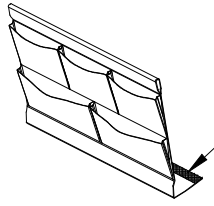


# Step: 8

B M6\*15 H M6\*45



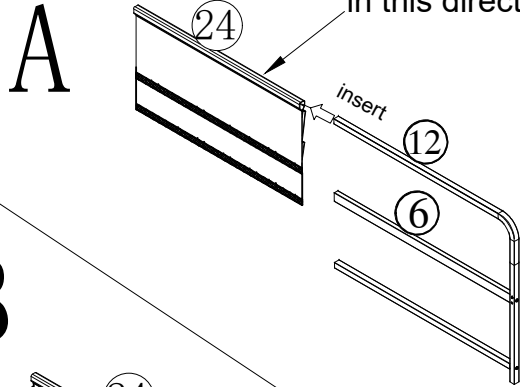
### Step: 9



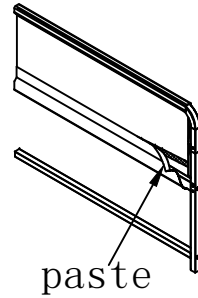
Adjustable here

Cloth pockets

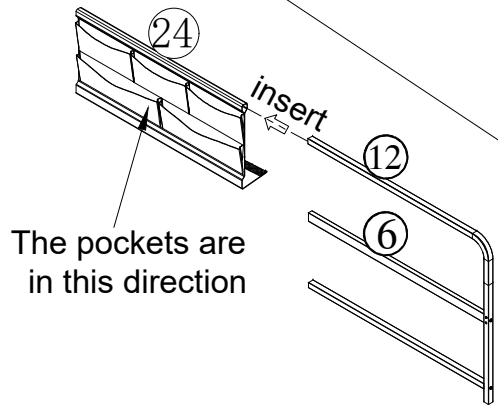
The pockets are in this direction



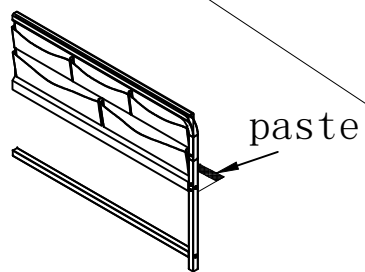
next



B



next



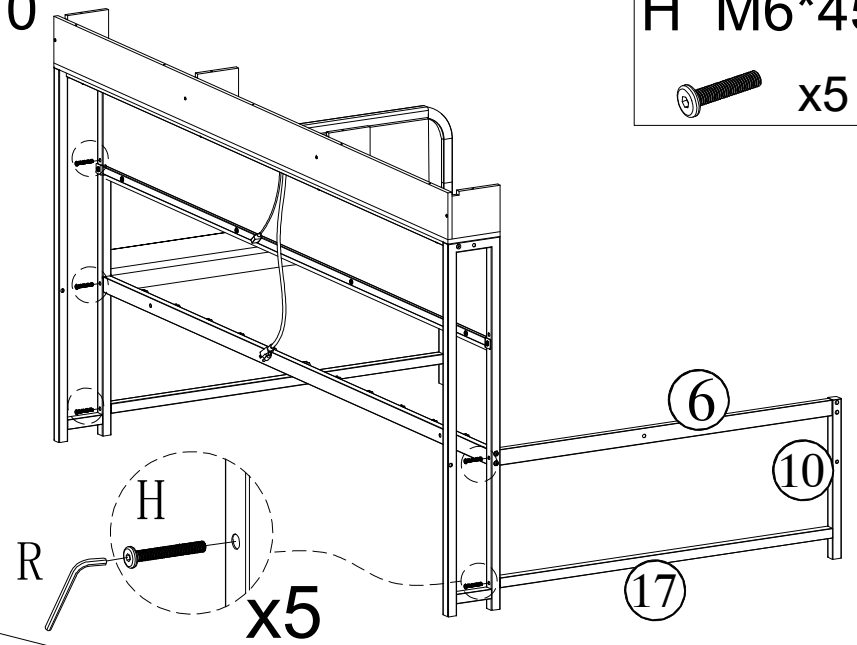
The pockets are in this direction

### Step: 10

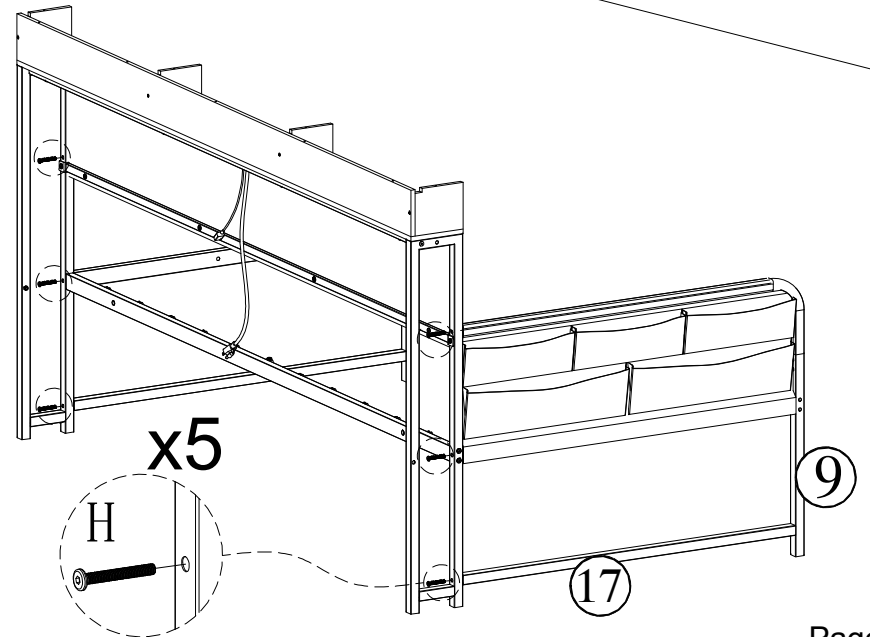
H M6\*45

x5

A



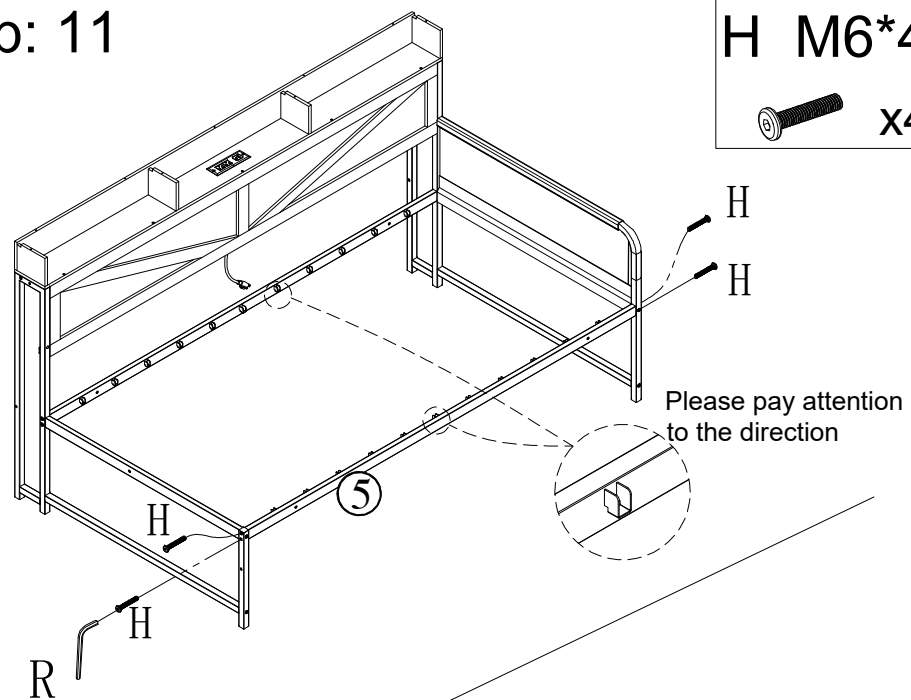
B



# Step: 11

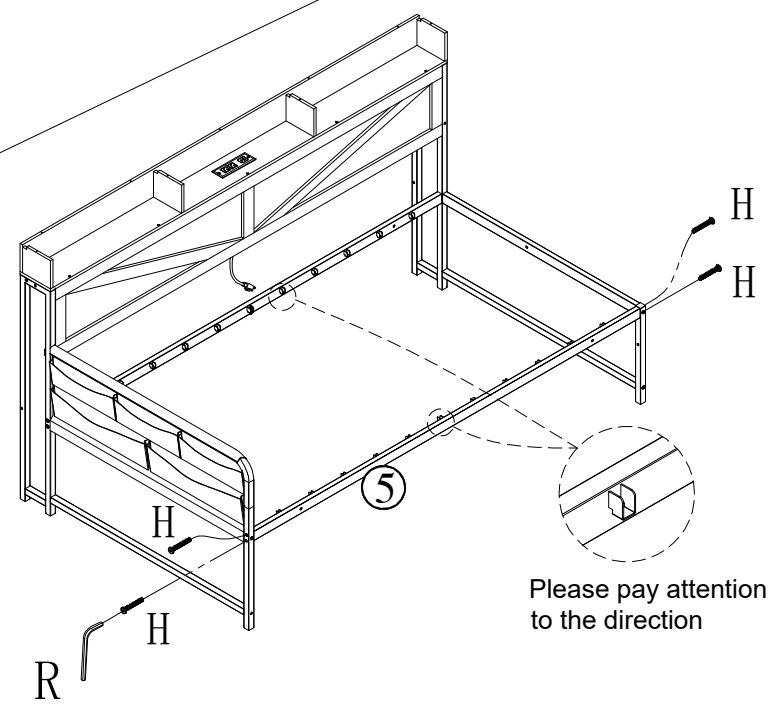
H M6\*45

x4



A

B

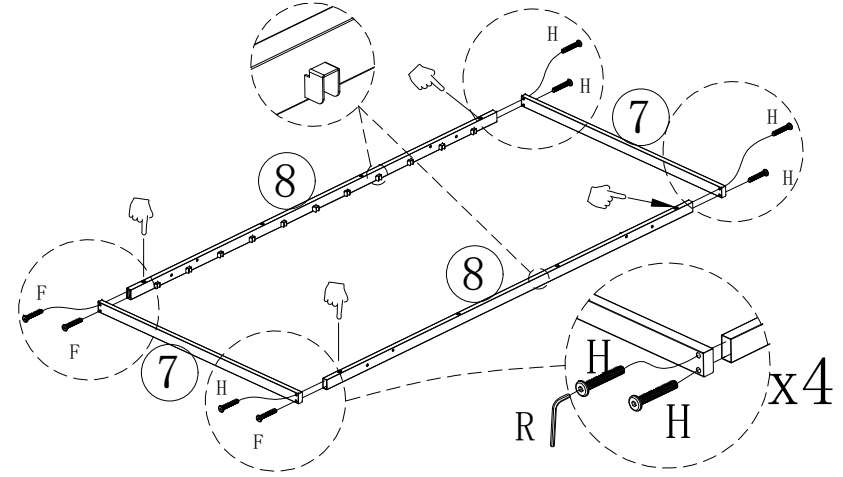


# Step: 12

H M6\*45

x8

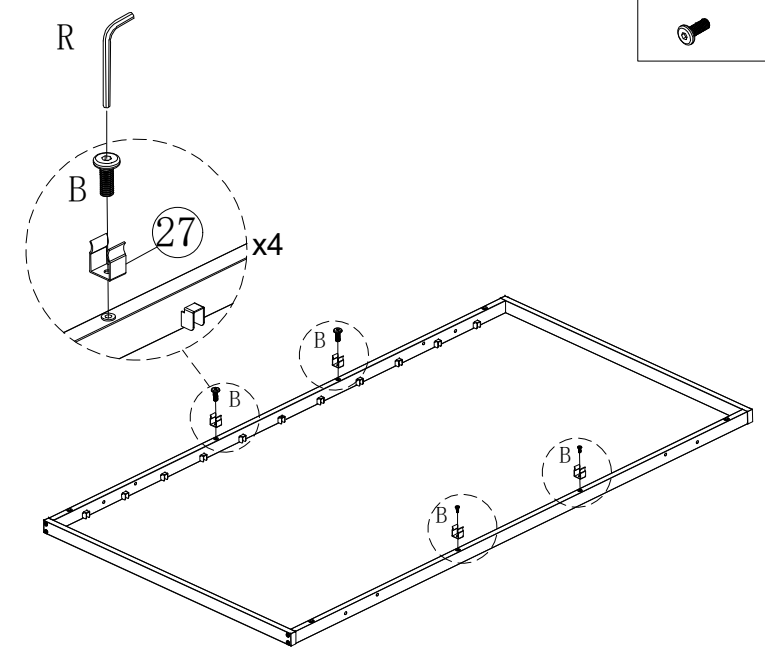
Please pay attention to the direction



# Step: 13

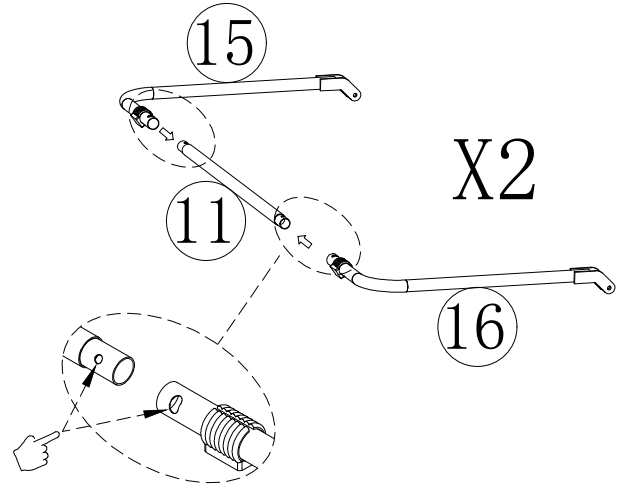
B M6\*15

x4

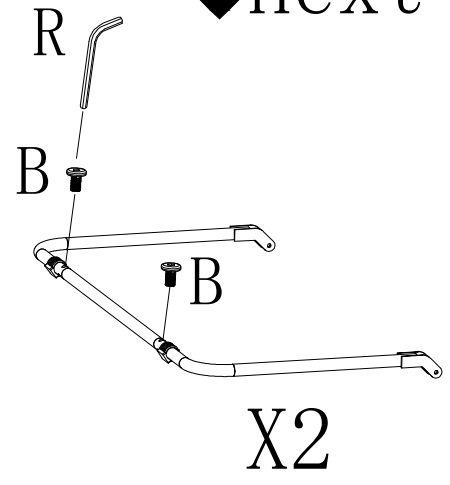


# Step: 14

B M6\*15  
x4



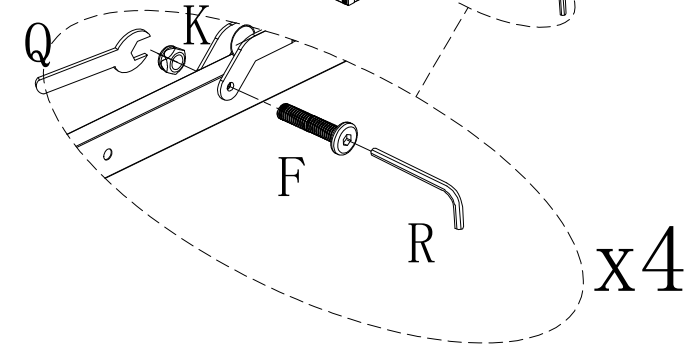
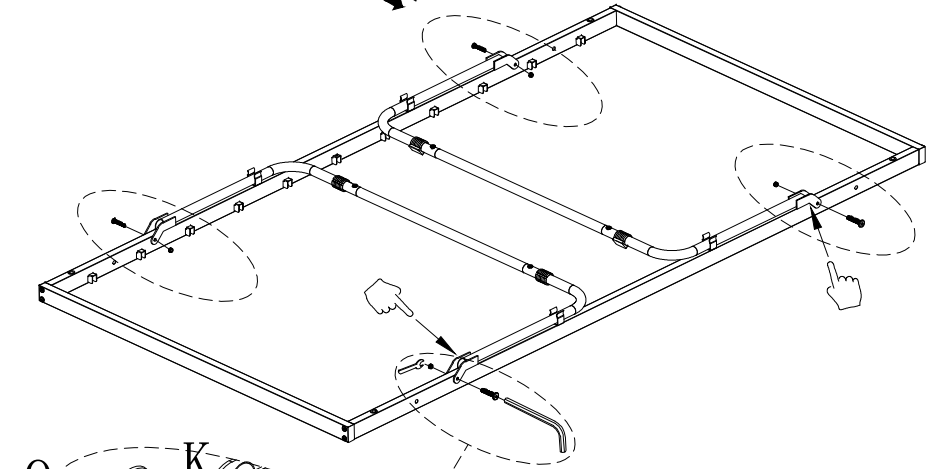
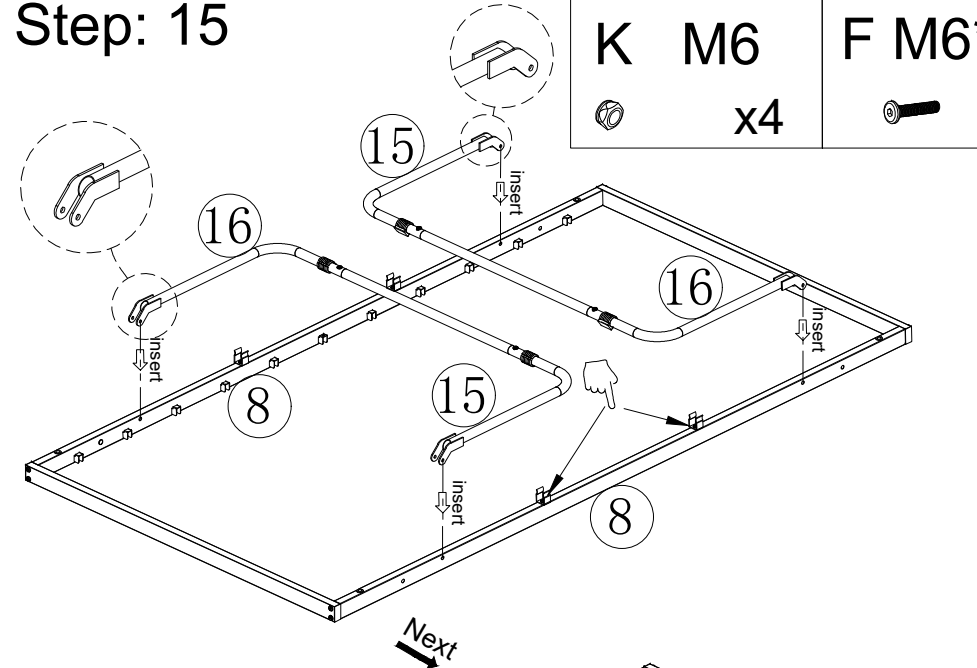
↓ next



# Step: 15

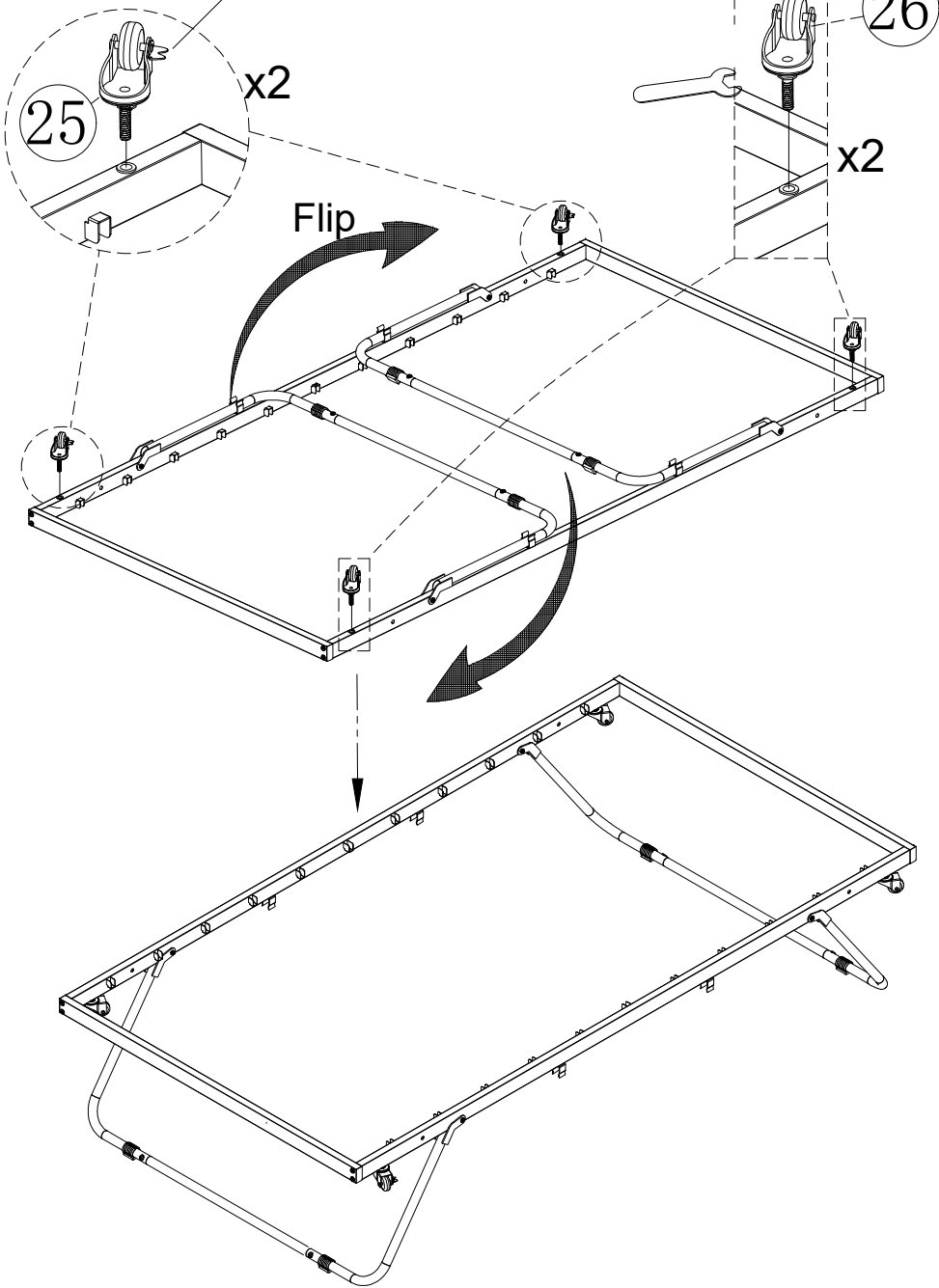
K M6  
x4

F M6\*34  
x4





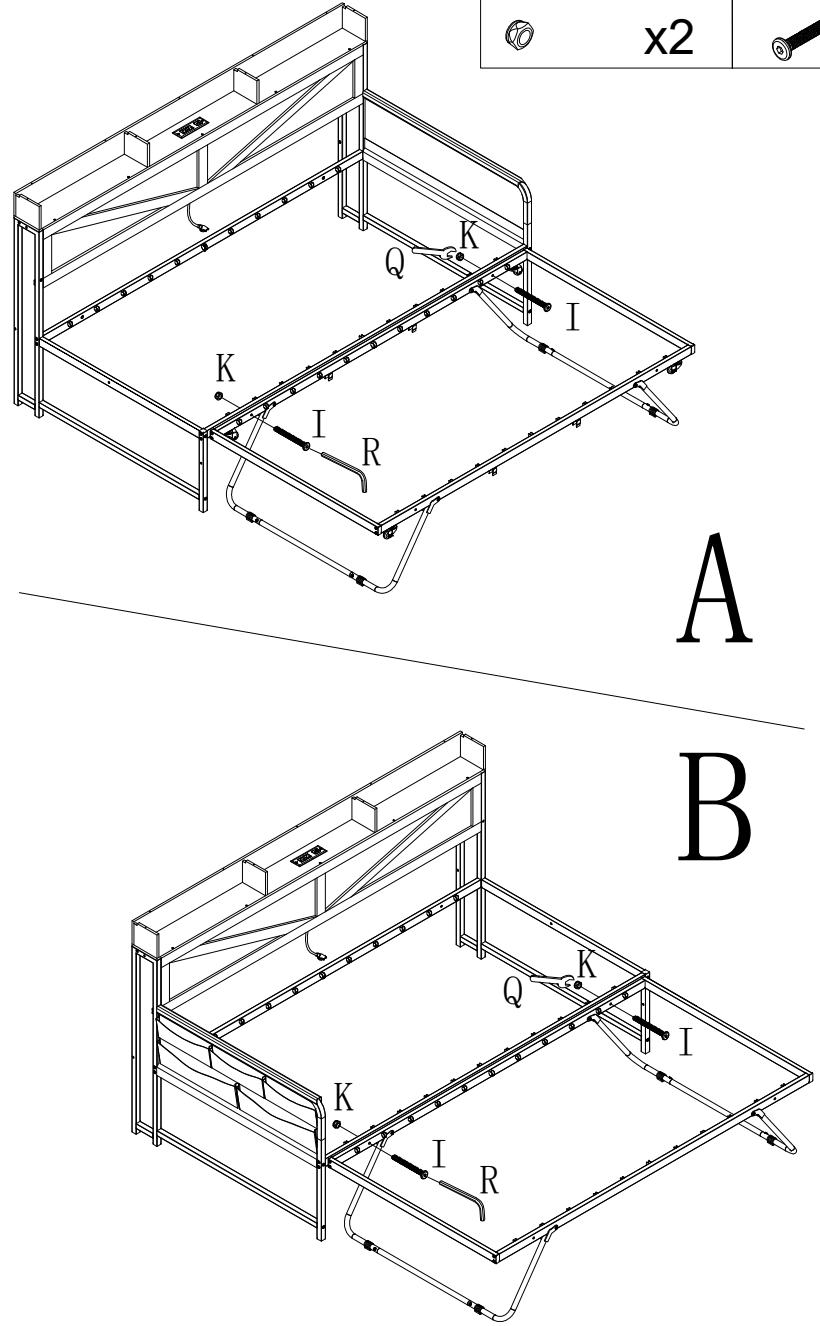
# Step: 16

There are brakes



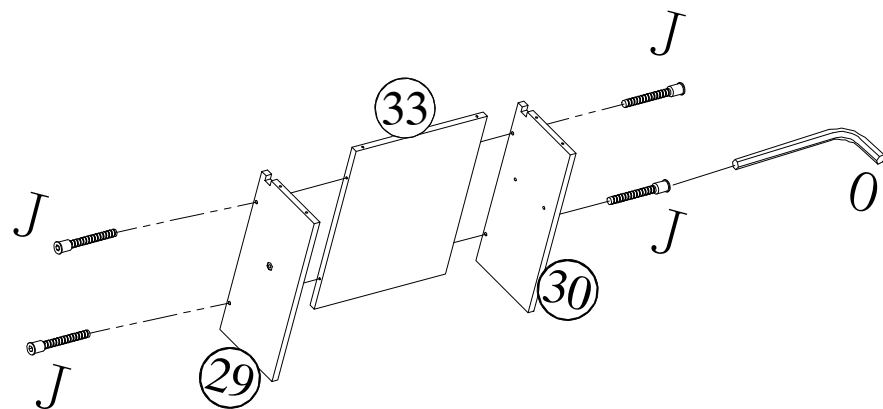
# Step: 17

K M6	I M6*60
 x2	 x2



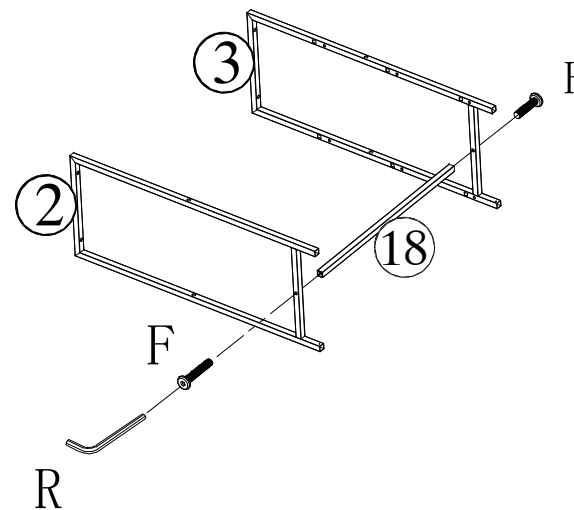
### Step: 18

J M5\*40



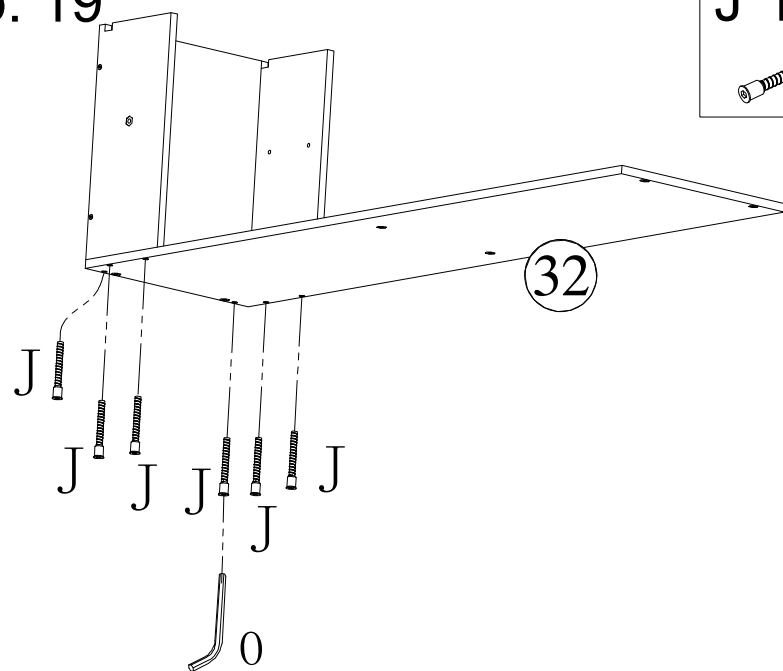
### Step:20

F M6\*34



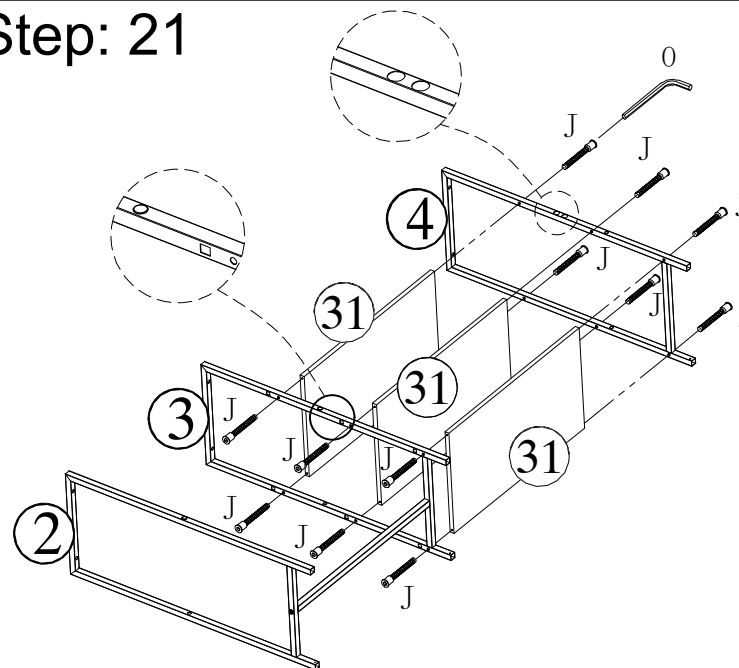
### Step: 19

J M5\*40



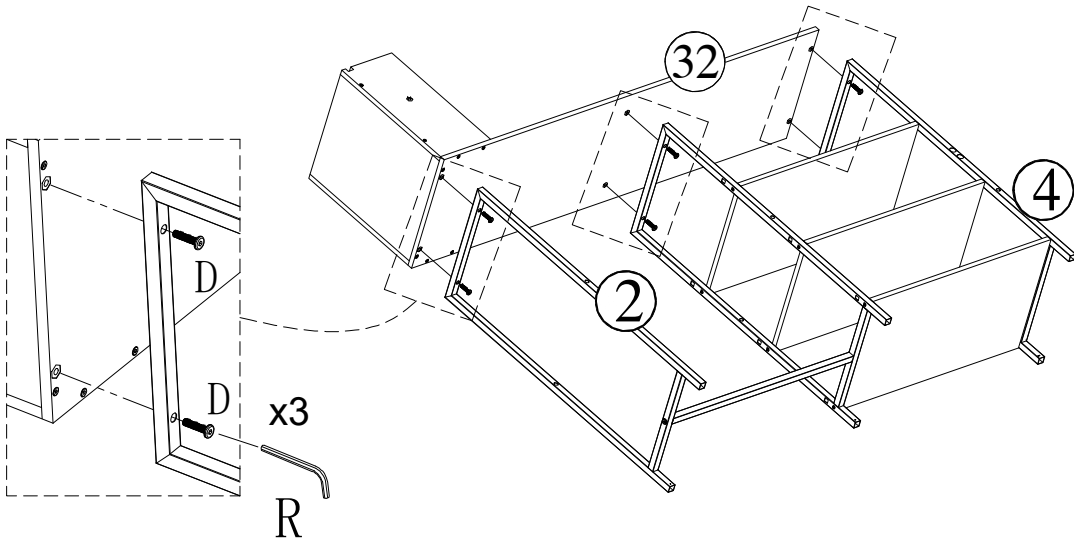
### Step: 21

J M5\*40

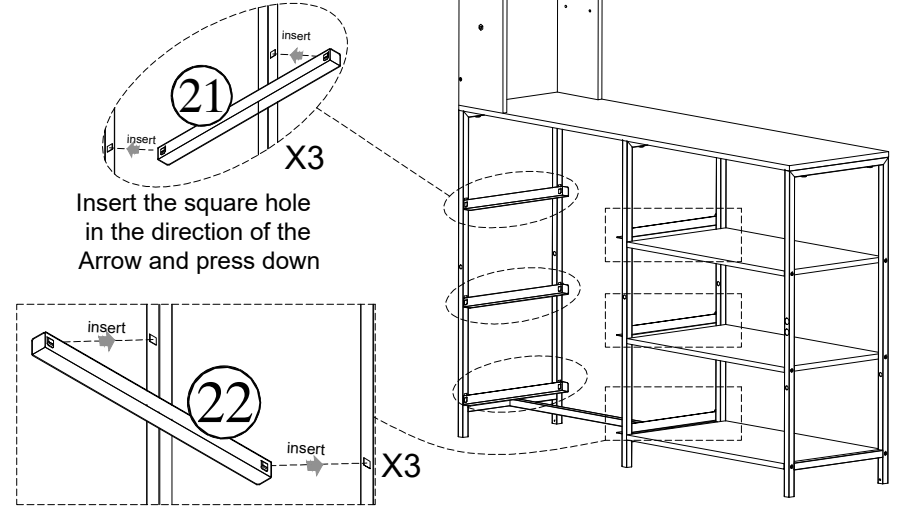


# Step: 22

D M6\*25



# Step: 24

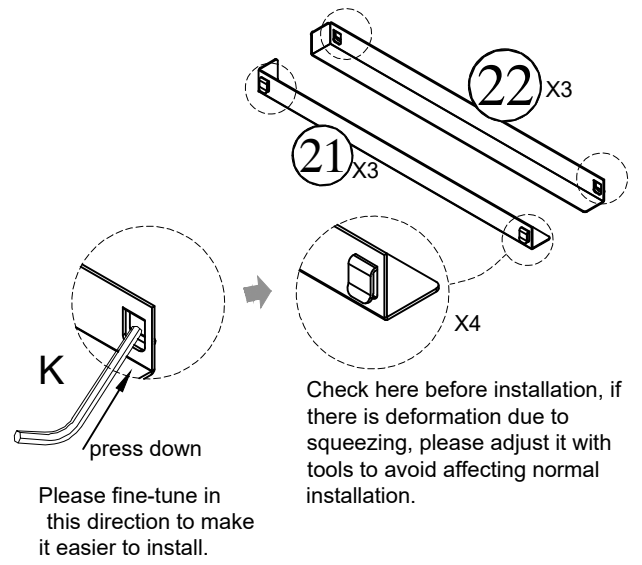


Insert the square hole in the direction of the Arrow and press down

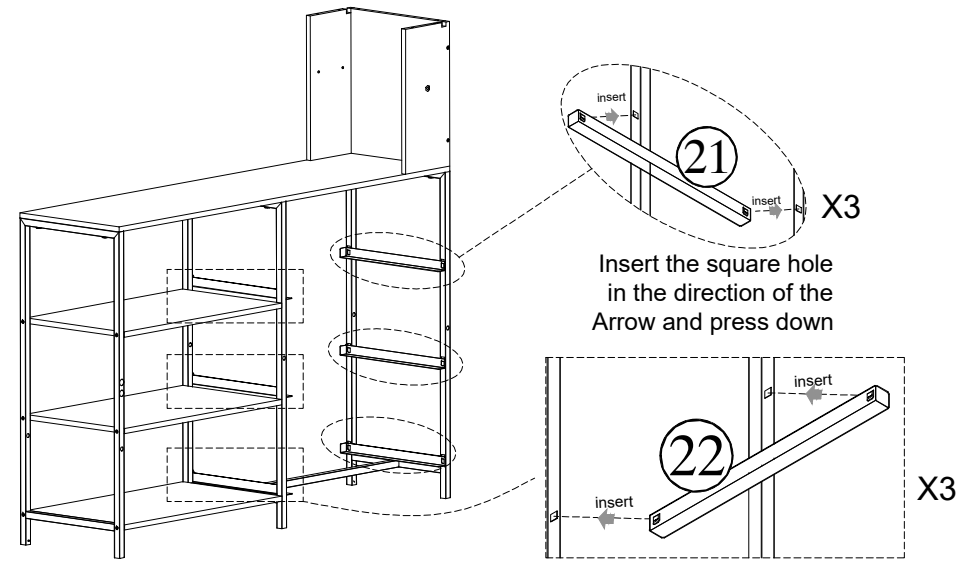
A

B

# Step: 23





Please fine-tune in this direction to make it easier to install.

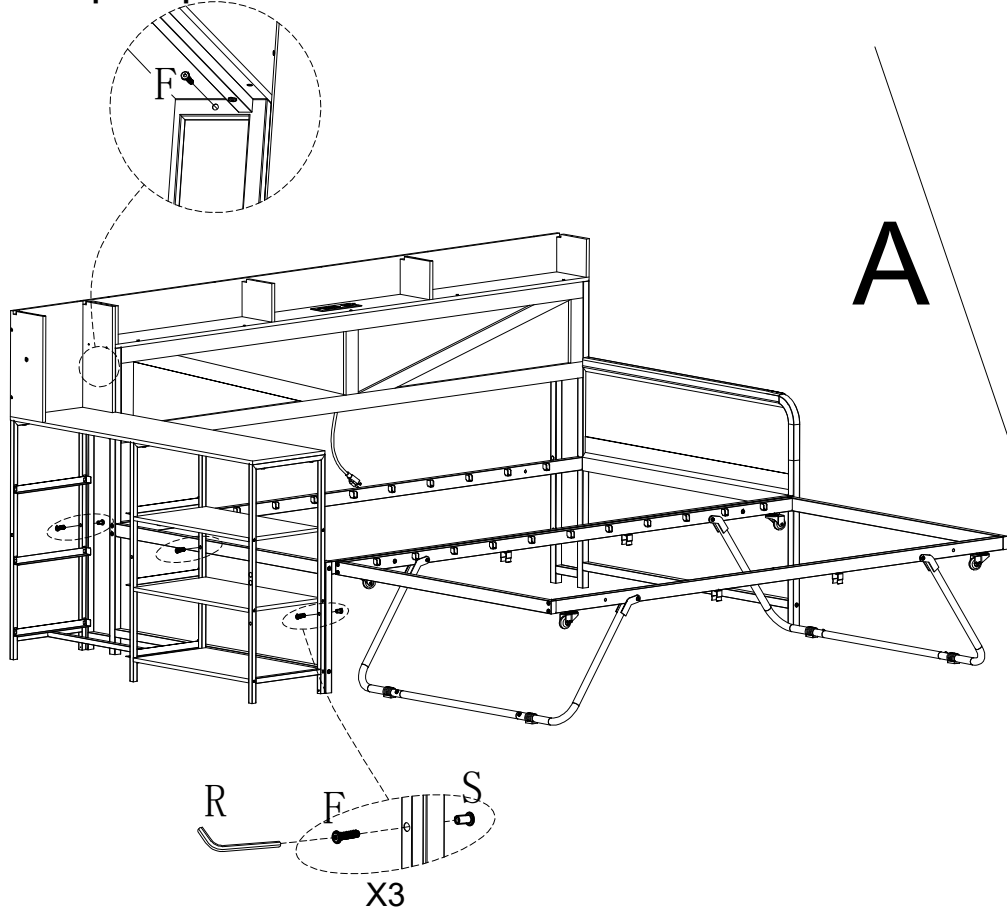


Insert the square hole in the direction of the Arrow and press down

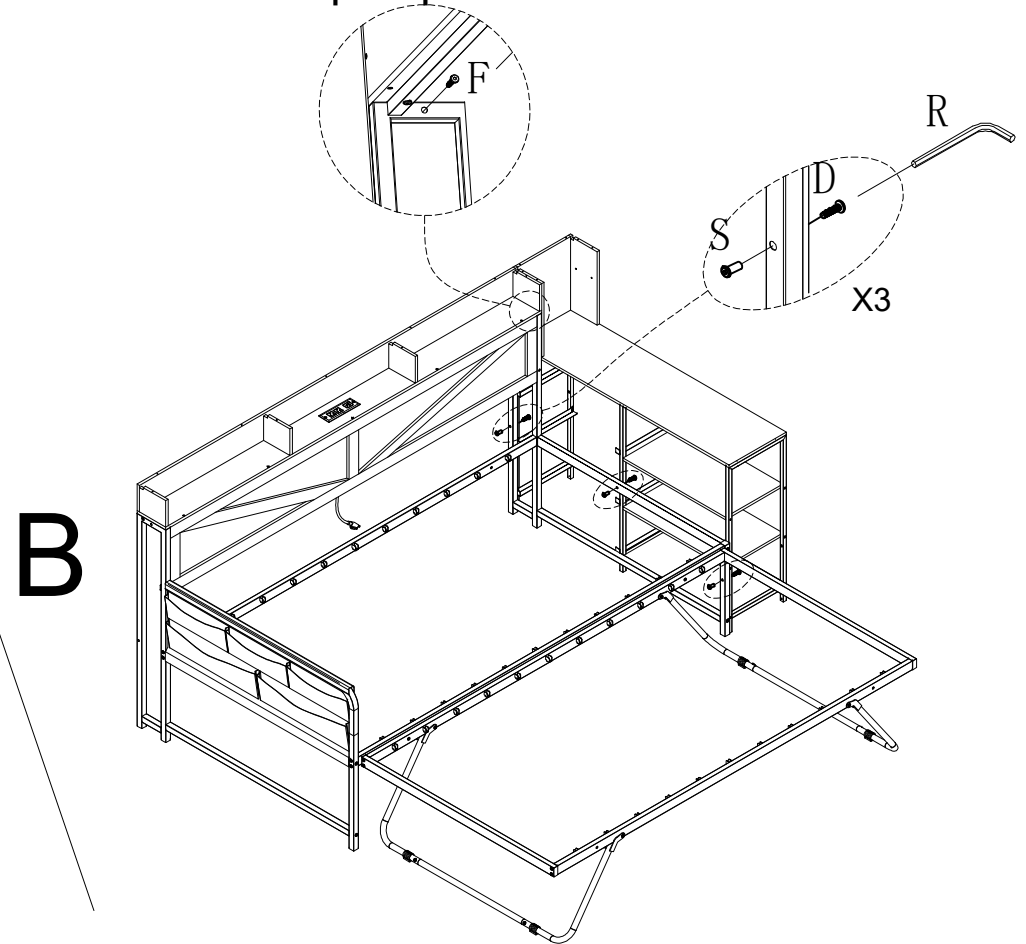
# Step: 25

F M6*34	S M6*15
 x4	 x3

Behind the headboard  
perspective




Behind the headboard  
perspective





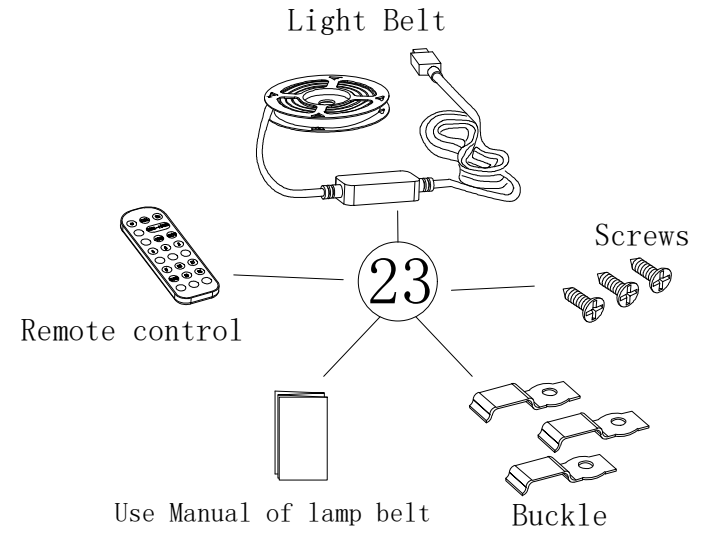
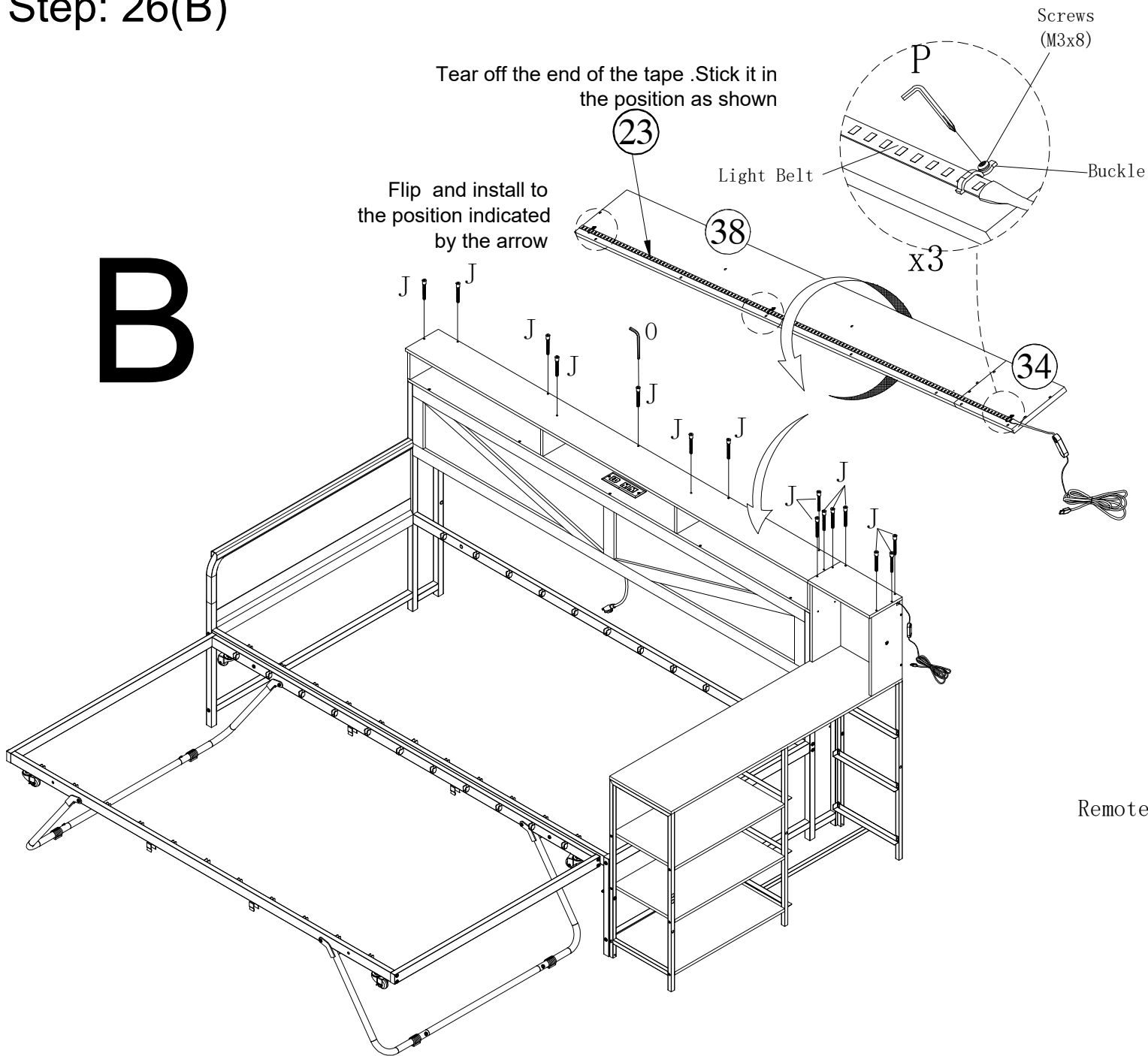
# Step: 26(B)

J M5\*40  
x15 

Tear off the end of the tape .Stick it in the position as shown

Flip and install to the position indicated by the arrow

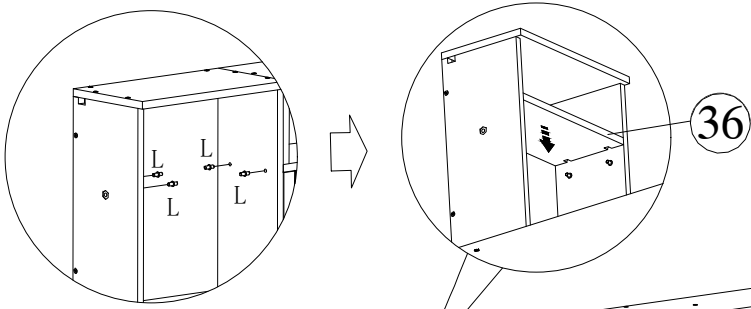
# B



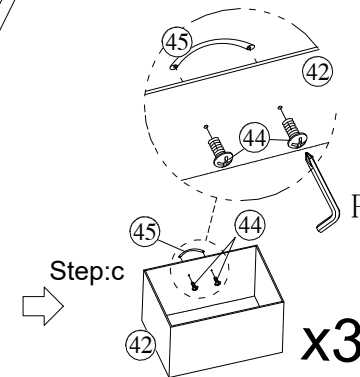
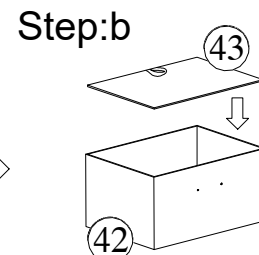
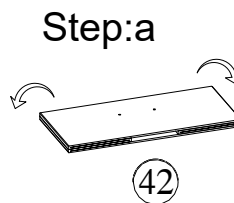
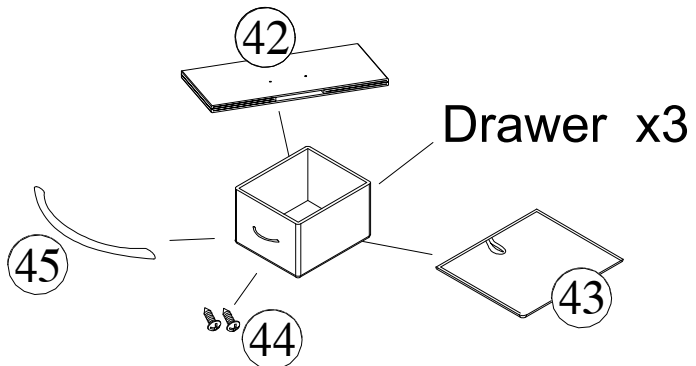
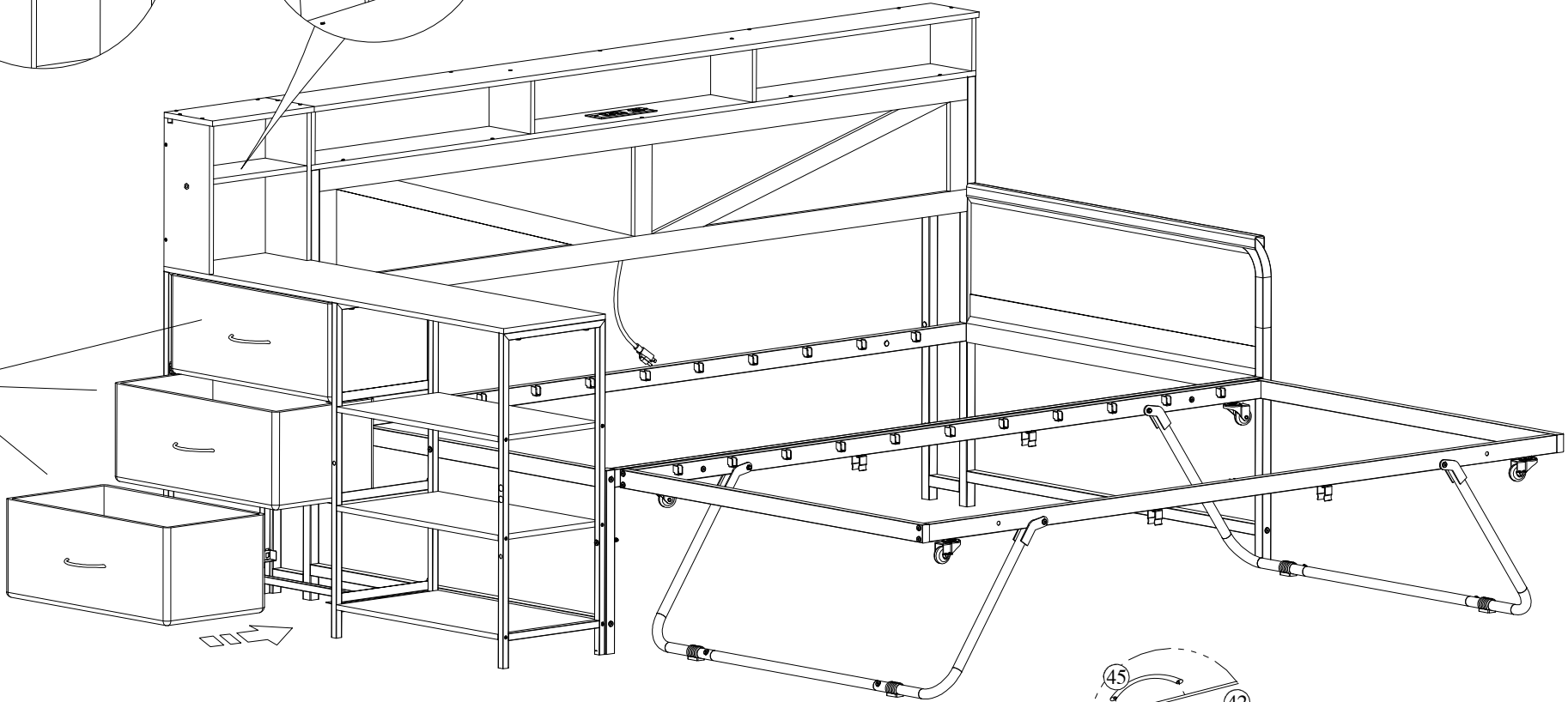
# Step: 27

L Ø5\*17

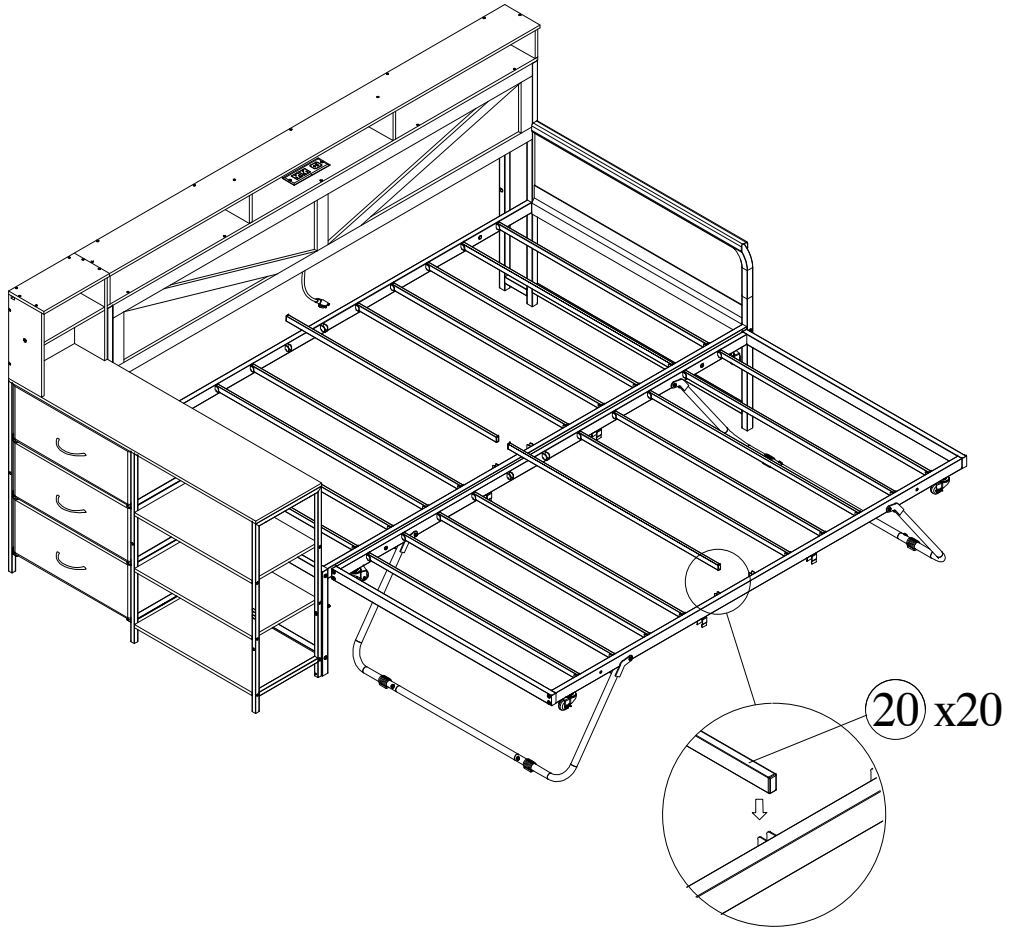
x4



Drawer  
x3



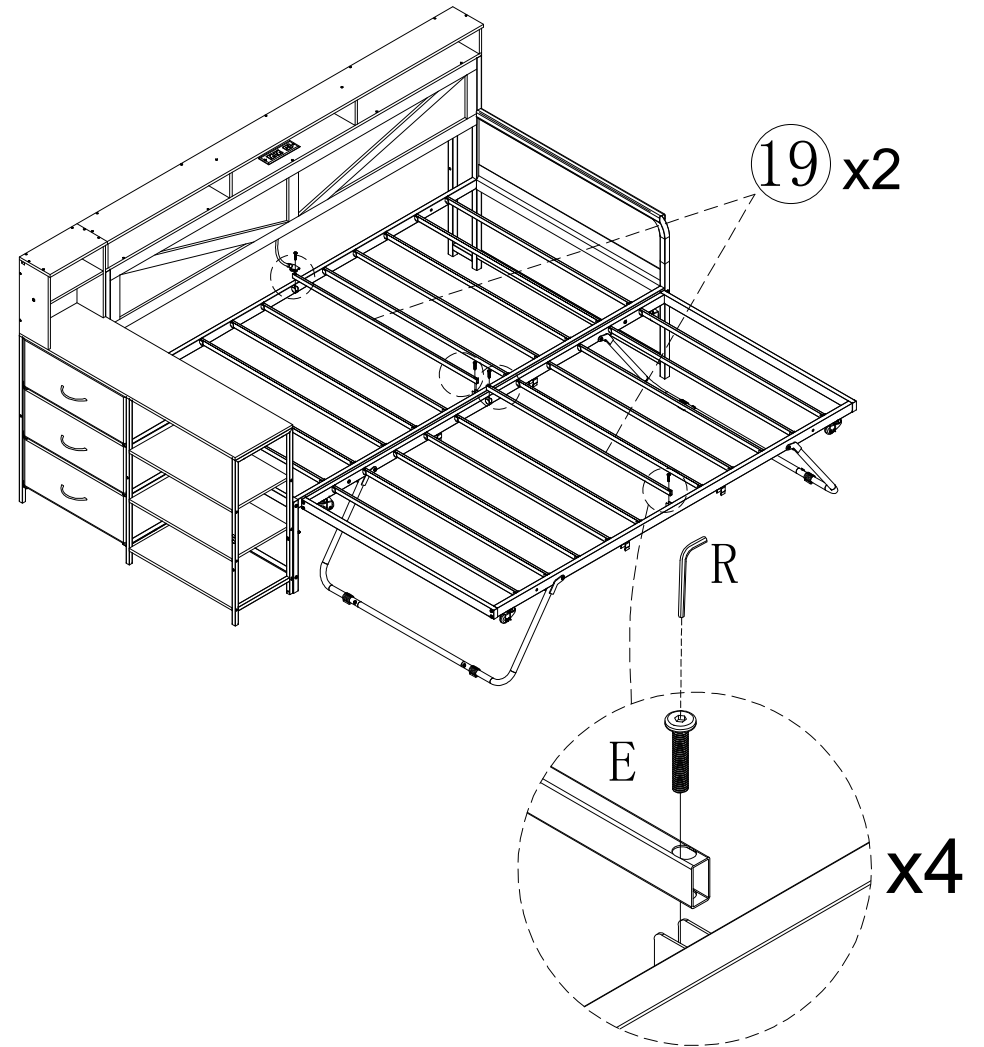
# Step: 28





# Step: 29

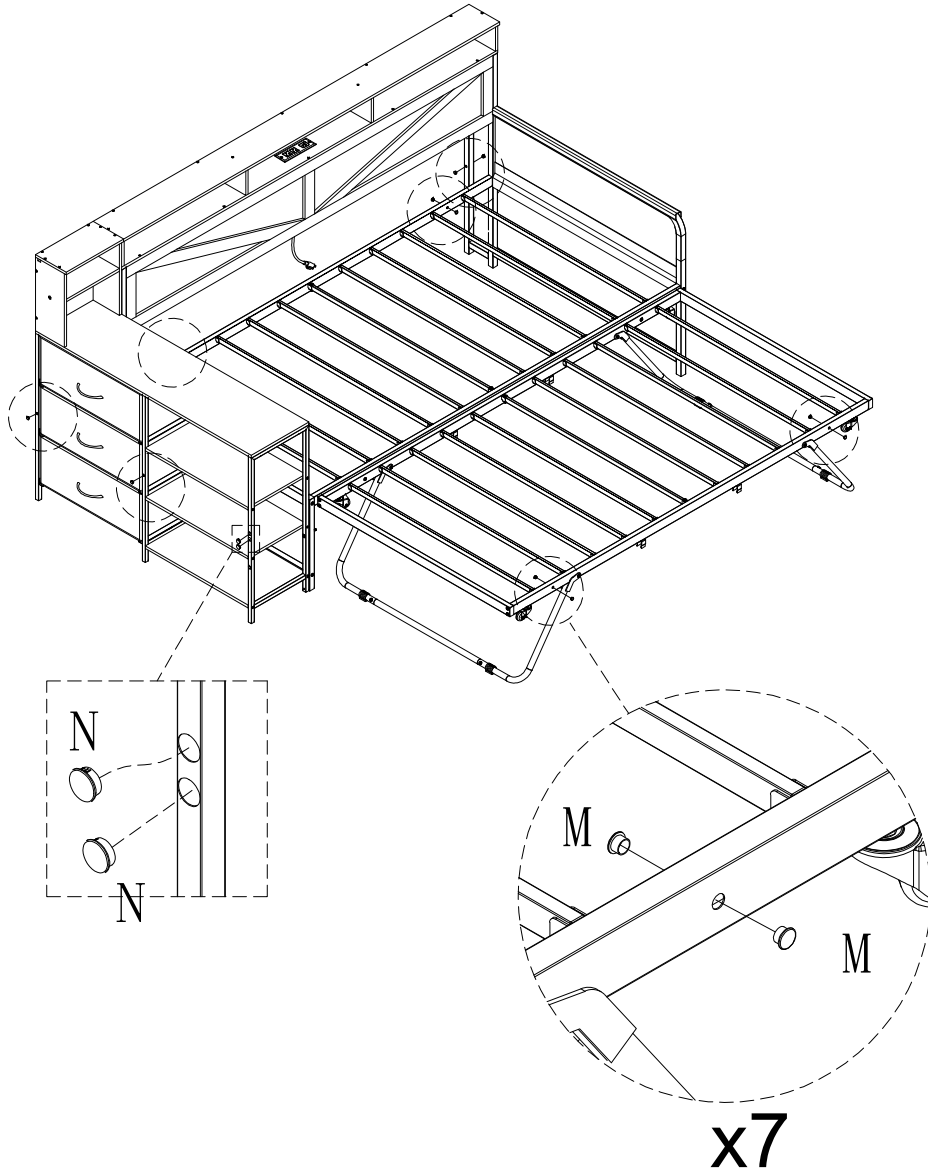
E M6\*28

x4

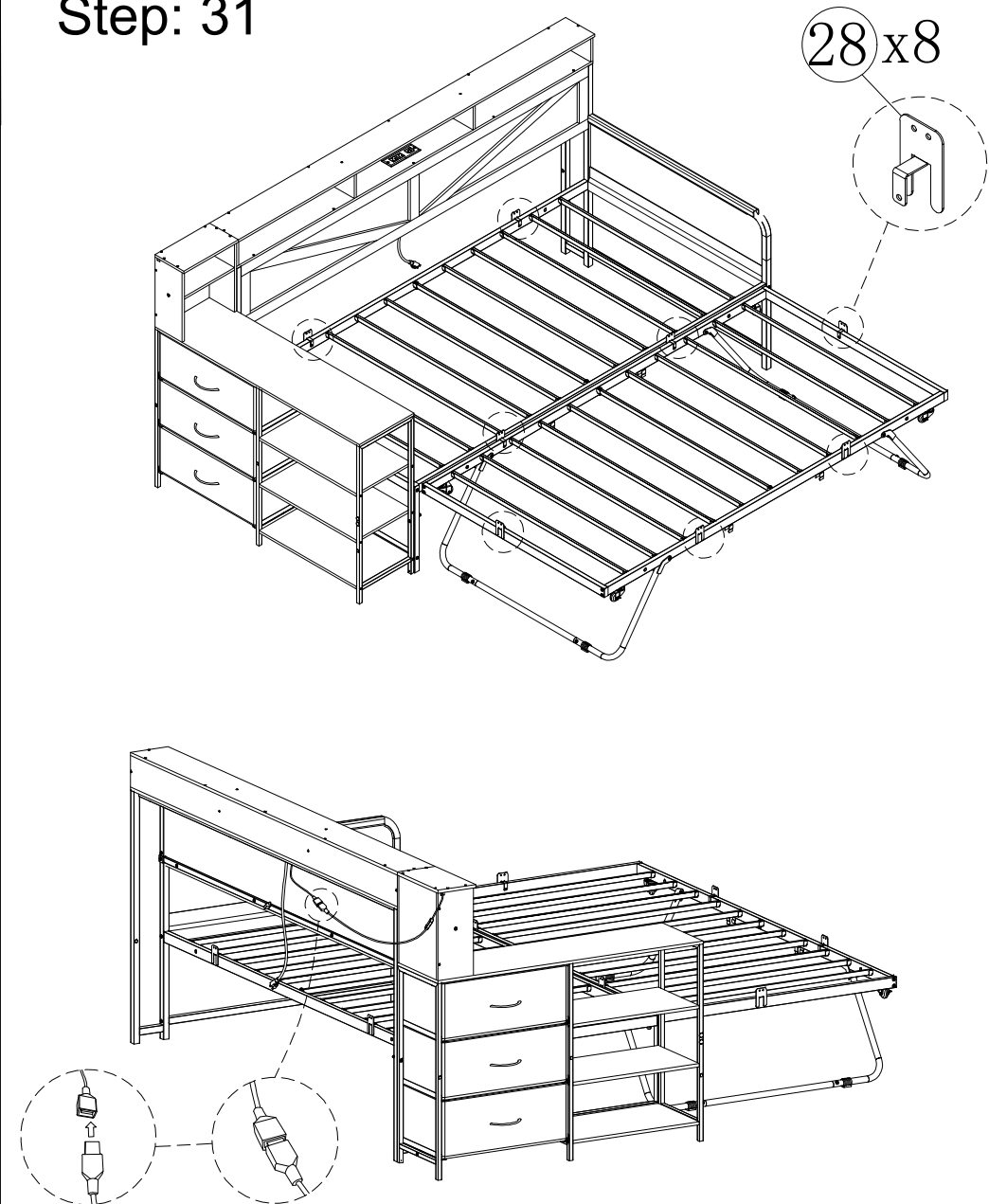



# Step: 30

N Ø14	M Ø9
 x2	 x14



# Step: 31



 \*NOTE: Tighten the screws that were not tightened before.