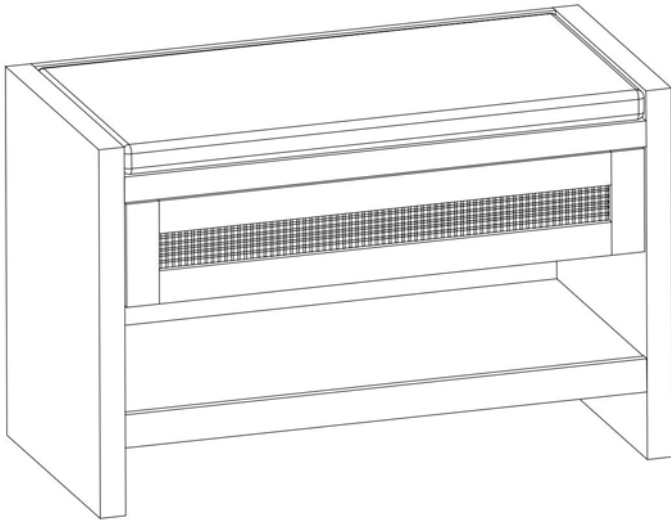


**RATTAN BENCH
USER MANUAL**



NEED HELP? CONTACT US!

Have product questions? Need technical support? Please feel free to contact us

This is the original instruction, please read all manual instructions carefully before operating. We reserve a clear interpretation of our user manual. The appearance of the product shall be subject to the product you received. Please forgive us that we won't inform you again if there are any technology or software updates on our product.

 **WARNING:**

Please read this manual carefully before using the product. Failure to do so may result in serious injury.



Please read and observe carefully all the assembly instructions before beginning assembly.



Unit should be assembled by two or more people.

ASSEMBLY PRECAUTIONS

1. Assemble only according to these instructions. Improper assembly can create hazards.
2. Wear ANSI-approved safety goggles and heavy-duty work gloves during assembly.
3. Keep the assembly area clean and well-lit.
4. Keep bystanders out of the area during assembly.
5. Do not assemble when tired or when under the influence of alcohol, drugs or medication.
6. The product capabilities apply to properly and completely assembled products only.
7. Assemble on a flat, level, hard and smooth surface capable of safely supporting the Rattan Bench.

8. For additional information regarding the parts listed in the following pages, please refer to the Assembly Diagram of this manual. Unwrap and separate all parts in a clean work area.

SAVE THESE INSTRUCTIONS

USE PRECAUTIONS

TO PREVENT SERIOUS INJURY AND DEATH FROM TIPPING:

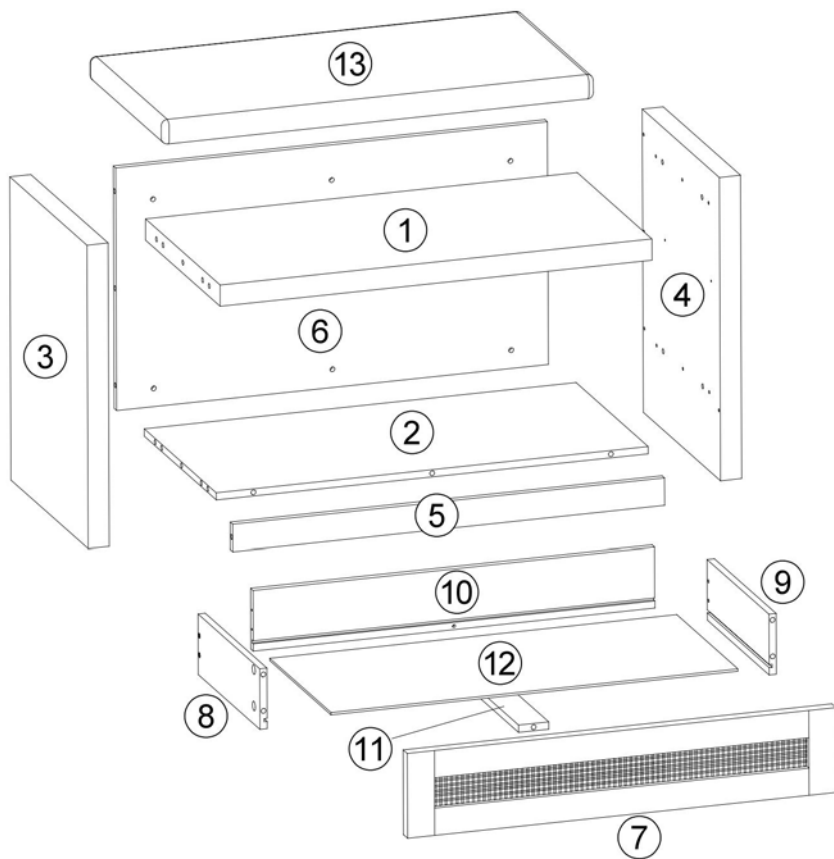
1. This product is not a toy Do not allow children to play with or near this item.
2. Do not exceed weight capacities, before moving.
3. Use only on a flat, hard and smooth surface capable of safely supporting a fully loaded Rattan Bench.
4. Use as intended only.
Inspect before every use; do not use if parts are loose or damaged.

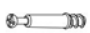










TECHNICAL SPECIFICATIONS

Product Dimensions (LxWxH)(mm)	786*374*500
Net Weight(kg)	About 15.15

*Products such as specifications, appearance, and design are subject to modification without prior notice.

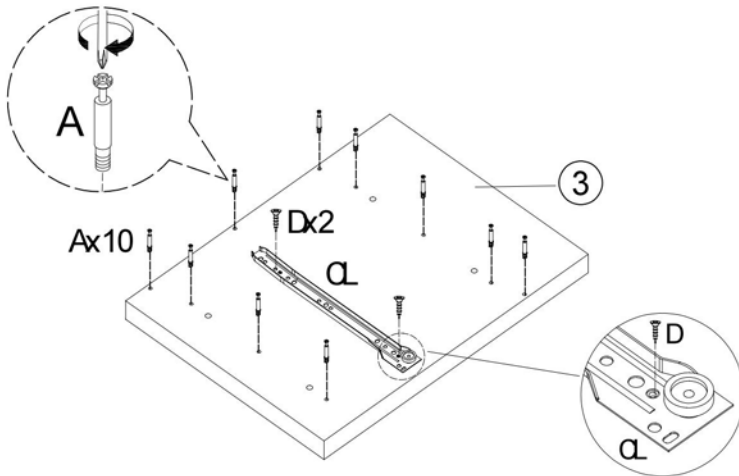
PACKAGE CONTENTS






A	x29	B	x29	C	x6	D	x8	E	x1	F	x8	G	x4
													
Mx35mm		Ø15mm		Mx40mm		M8, 5x14mm		4mm		Ø2x30mm		Mx35mm	
CL	x1	CR	x1	DL	x1	DR	x1						
													
300mm		300mm		300mm		300mm							

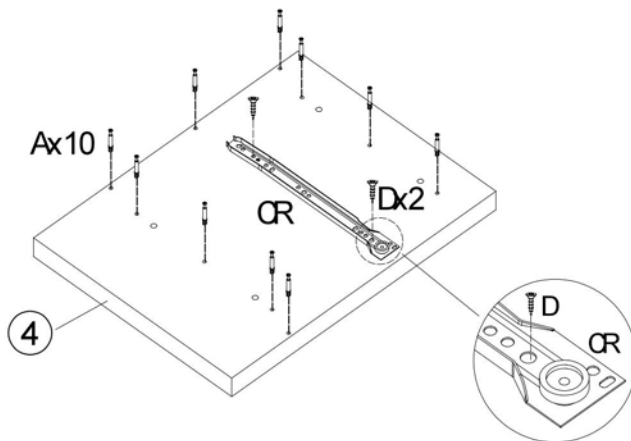
ASSEMBLY STEPS




STEP 1



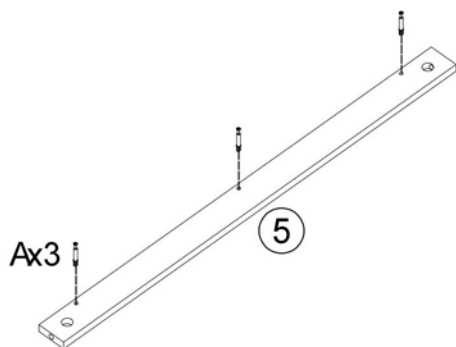
A	x 10	D	x 2	Q	x 1
					
M6x35mm		M8, 5x14mm		300mm	

STEP 2



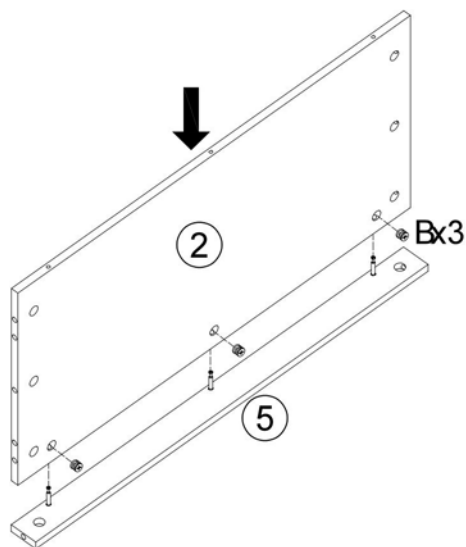
A	x 10	D	x 2	Q	x 1
					
M6x35mm		M8, 5x14mm		300mm	

STEP 3



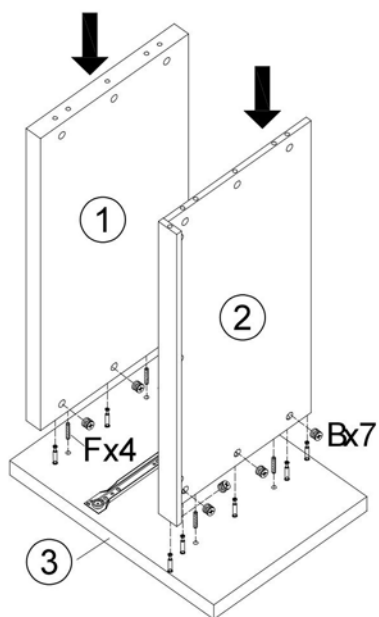
A	x3
Mx35mm	



STEP 4



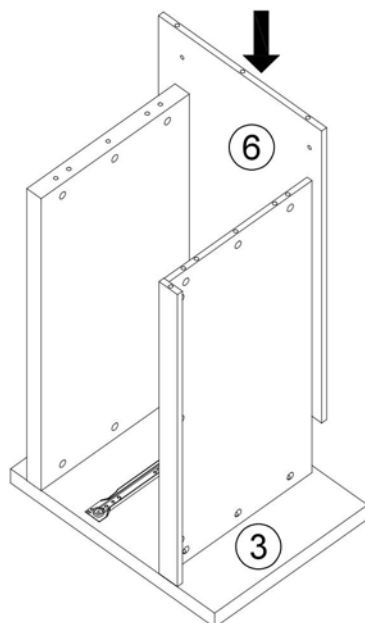
B	x3
Ø5mm	

STEP 5

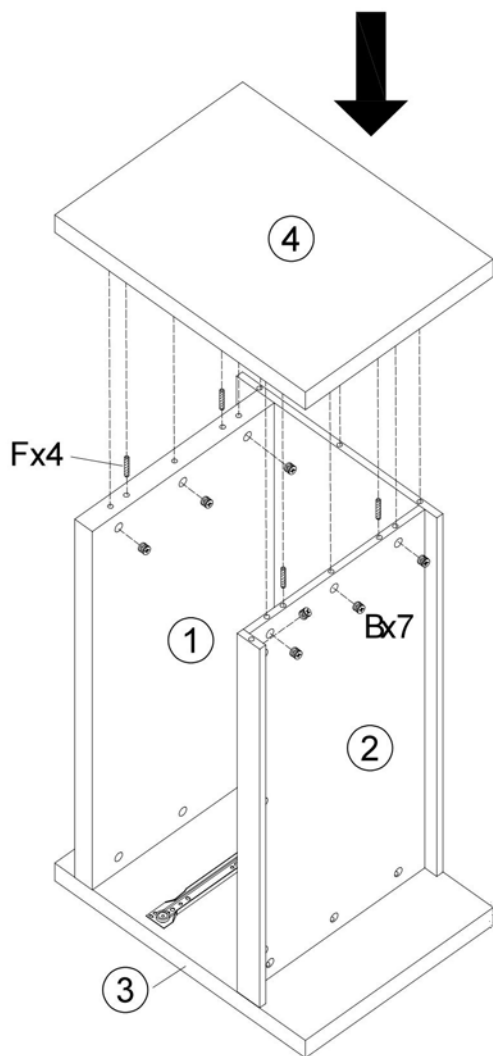


B	x7	F	x4
			
Ø15mm		Øx30mm	

STEP 6

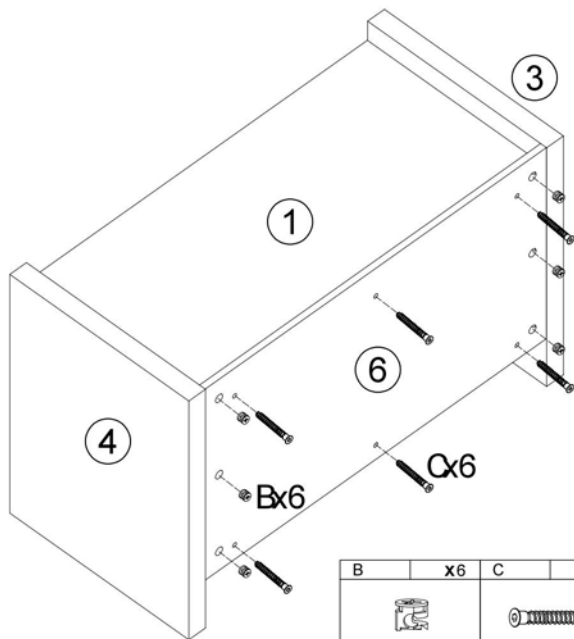





STEP 7



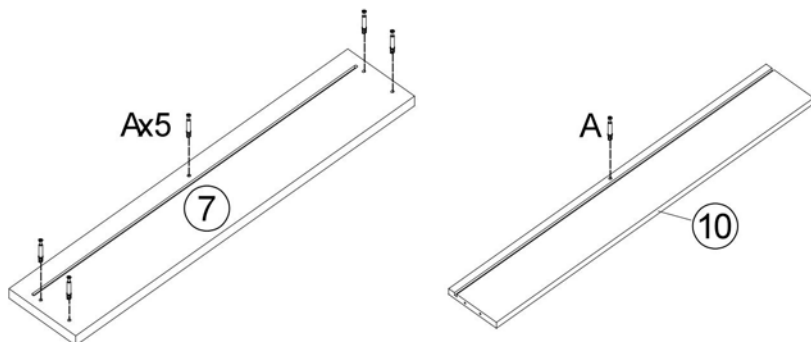
B	x7	F	x4
			
Ø15mm		Øx30mm	


STEP 8



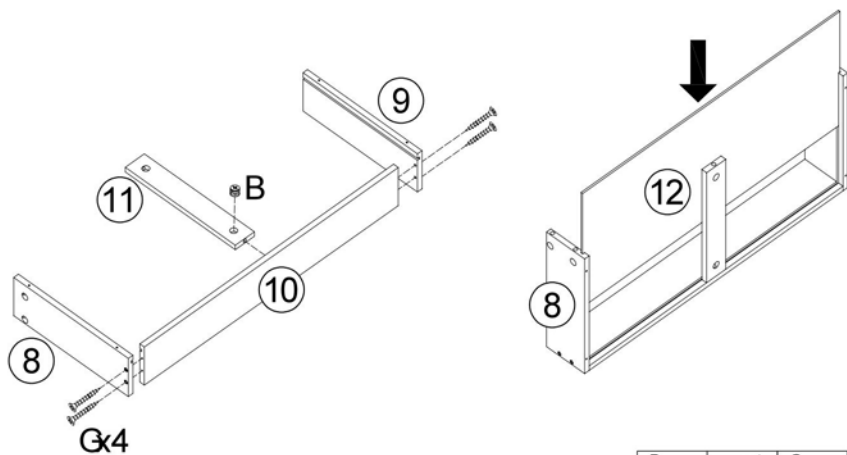
B	x6	C	x6	E	x1
					
Ø15mm		Mx40mm		4mm	



STEP 9



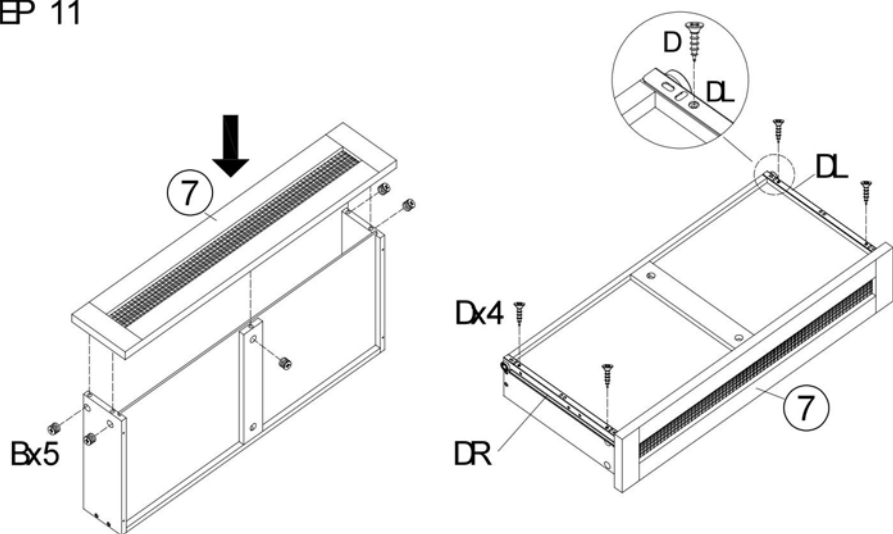
A	x6
	
Mx35mm	





STEP 10



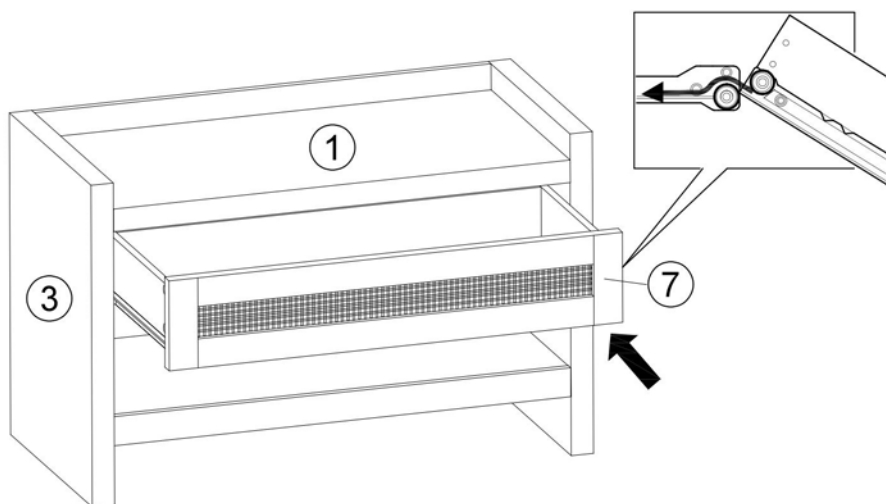
B	x1	G	x4
			
Ø15mm		Mx35mm	

STEP 11

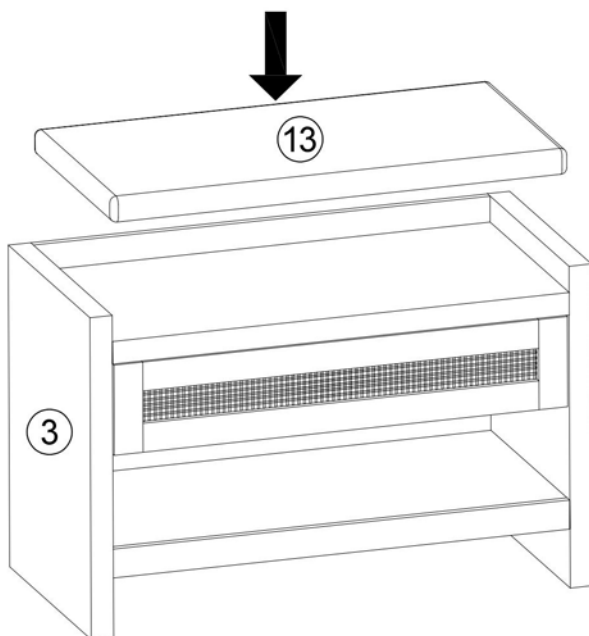


B	x5	D	x4	DL	x1	DR	x1
							
Ø15mm		M: 5x14mm		300mm		300mm	

STEP 12



STEP 13



COMPLETION

