

Assembly Manual

Manual Recliner

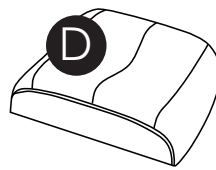
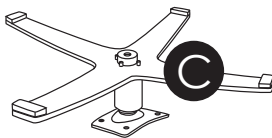
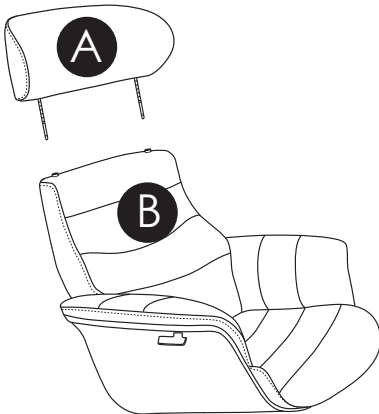


CAUTION

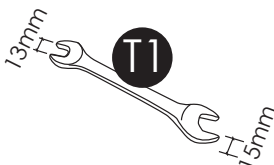
THIS ASSEMBLY MANUAL CONTAINS IMPORTANT SAFETY INFORMATION.

PLEASE READ AND KEEP FOR FUTURE REFERENCE.

COMPONENTS



(Note: The locknuts have been pre-assembled; unscrew them to proceed with assembling the base)



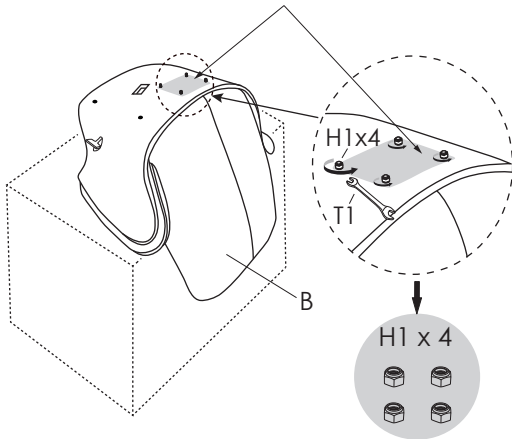
- A** Headrest
1X
- B** Chair Body
1X
- C** Chair Base
1X
- D** Ottoman
1X
- E** Ottoman Base
1X

- H1** Locknuts
4X
- H2** Bolts
1X

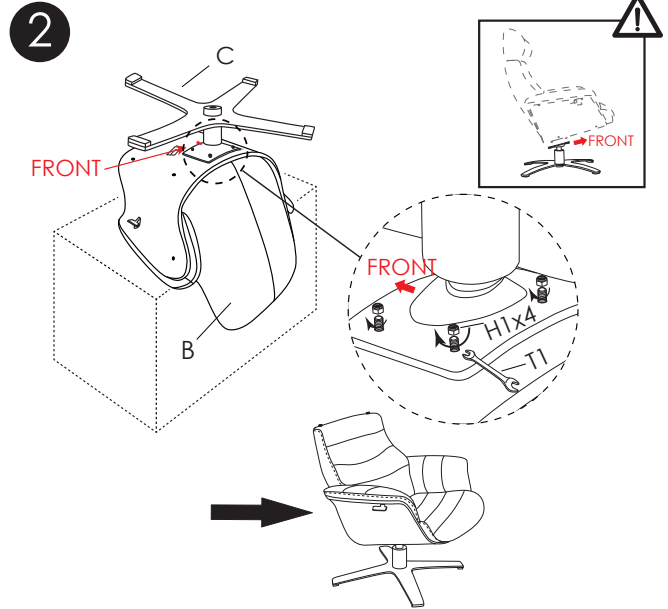
- T1** Open End Wrench
1X
- T2** Allen Wrench
1X

ASSEMBLY INSTRUCTIONS

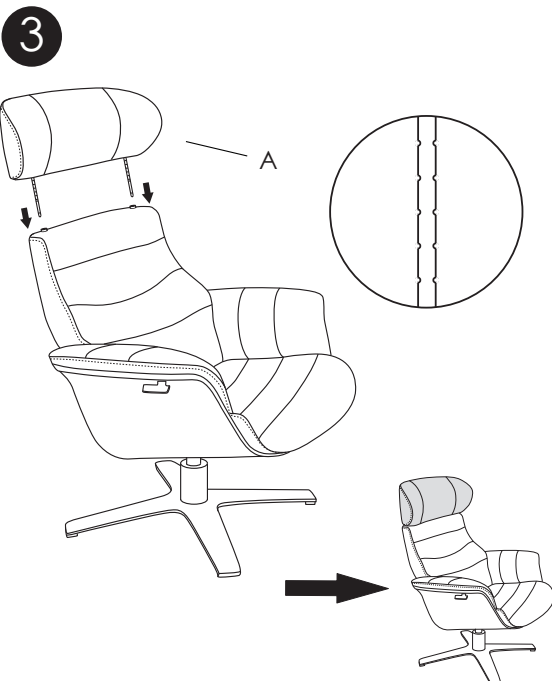
1 The Leather pad is used to prevent noise and should be kept in place until assembly completed.



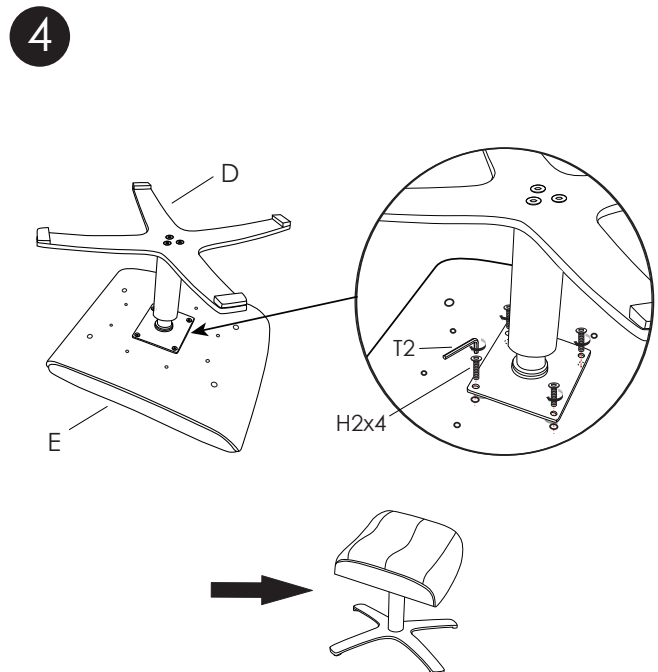
Unscrew locknuts.



Put the chair base on the bottom of chair Body in the right assembly position, and fully screw all locknuts.



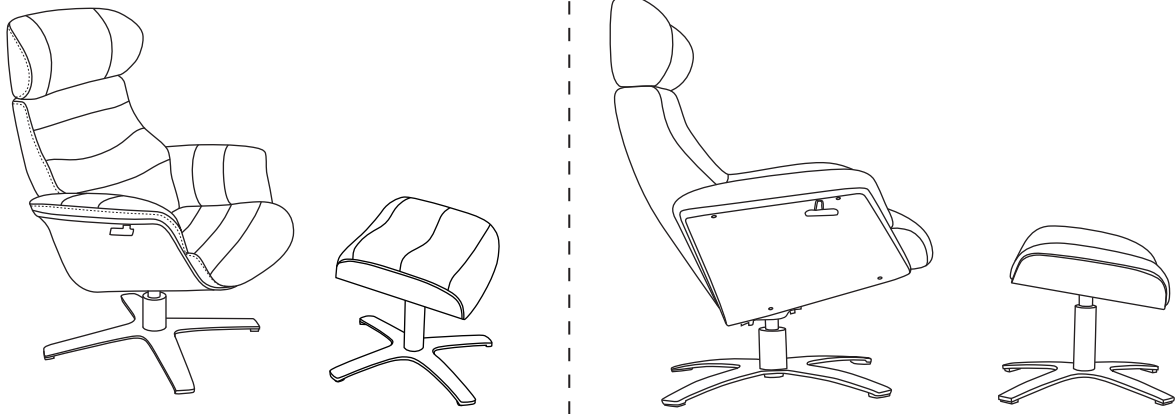
Assembly the headrest.



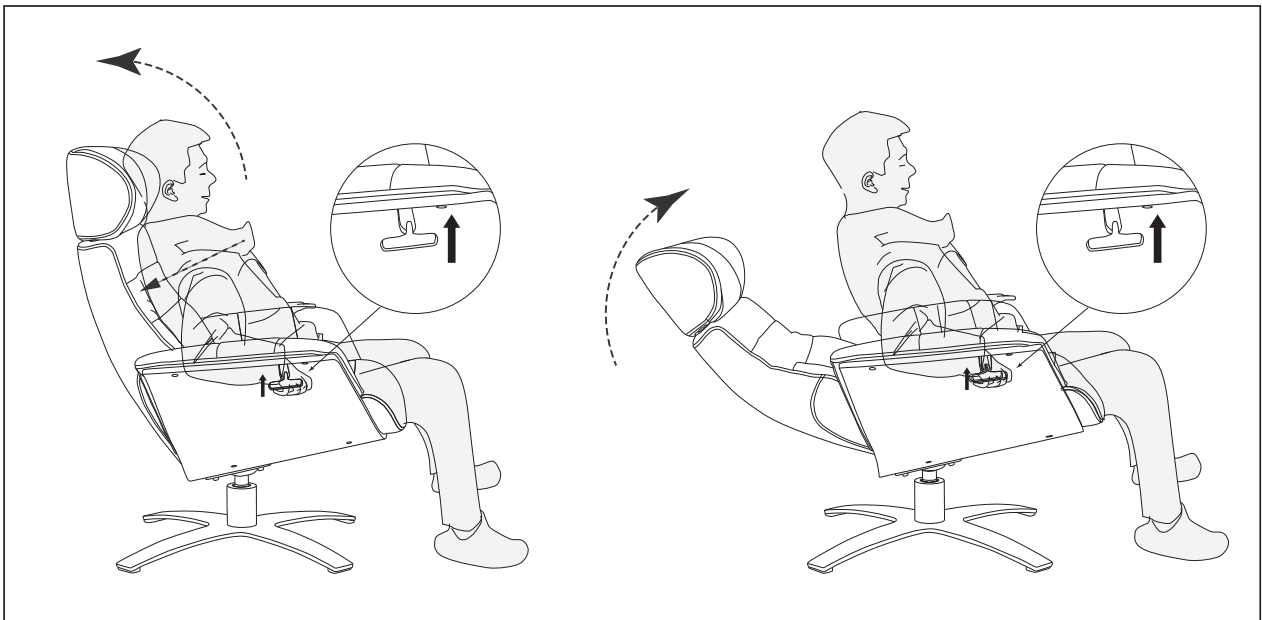
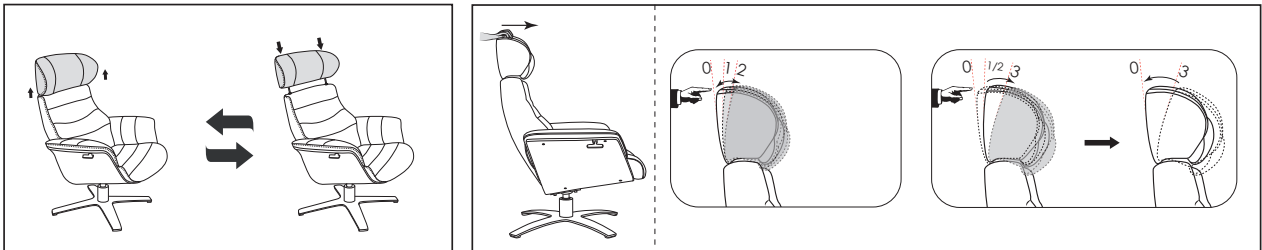
Assembly the ottoman base, and fully tighten all bolts.

ASSEMBLY INSTRUCTIONS

5



USING INSTRUCTIONS



PRODUCT WARRANTY

1-year limited on leather against splitting, peeling, and/or tearing.

1-year limited on internal and external frame structure.

1-year limited on cushioning material, seat springs and mechanism.

CARE & MAINTENANCE

Periodic dusting will prolong the life of your leather.

General cleaning can be done with a damp, clean, soft white cloth.

Periodically, a mild leather cleaner can be used on the headrests and armrests. This will help prevent buildup of body and hair oils which can harm the leather over time.

For more stubborn stains, a mild leather cleaner can be used or consult a professional leather technician.