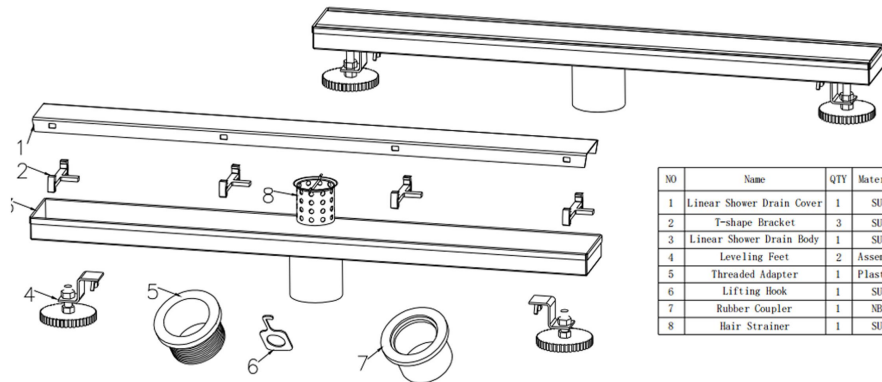
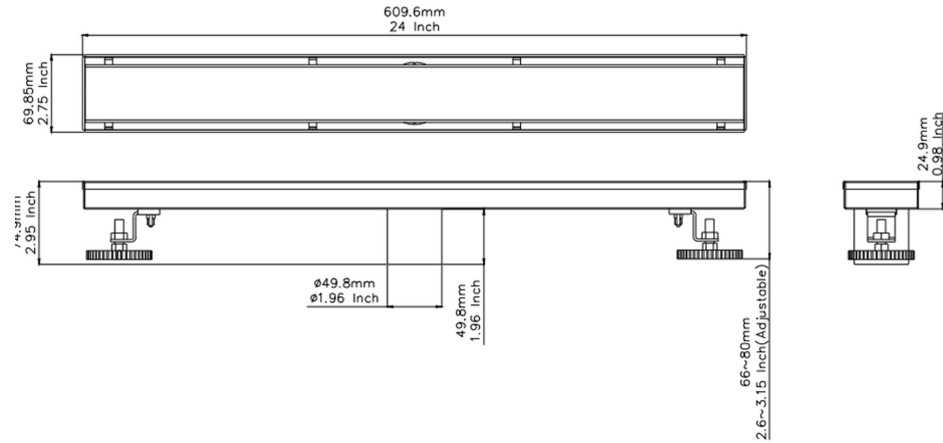


# Dimension/Specification



NO	Name	QTY	Material
1	Linear Shower Drain Cover	1	SUS
2	T-shape Bracket	3	SUS
3	Linear Shower Drain Body	1	SUS
4	Leveling Feet	2	Assembly
5	Threaded Adapter	1	Plastics
6	Lifting Hook	1	SUS
7	Rubber Coupler	1	NBR
8	Hair Strainer	1	SUS

SKU No. 7001-24