

INSTALLATION GUIDE

WARNINGS AND CAUTIONS

READ AND SAVE THESE INSTRUCTIONS

Please read and understand this entire manual before attempting to assemble, install or operate the product.

WARNING

- RISK OF ELECTRIC SHOCK - Before beginning installation, turn off electricity at the circuit breaker box or the main fuse box.
- RISK OF FIRE - Use bulbs specified by the markings and/or labels on the fixture.
- RISK OF PERSONAL INJURY - DO NOT bend the blades when installing the fan, or cleaning the fan.

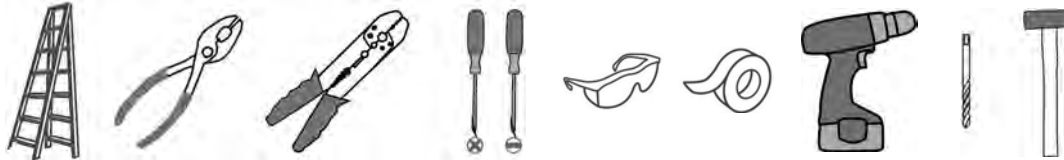
Do not insert foreign objects in between rotating fan blades.

- RISK OF FIRE, ELECTRIC SHOCK, OR PERSONAL INJURY - mount to outlet box marked and use mounting screws provided with the outlet box.
- All set screws must be checked, and re-tightened where necessary, before installation.
- After making the wire connections, the wires should be spread apart with the grounded conductor and the equipment-grounding conductor on one side of the outlet box and the ungrounded conductor on the other side of the outlet box.
- This unit weights 6kg(13.23 lbs).

CAUTION

- For your safety, read instructions completely before beginning installation.
- If in doubt about electrical installation, consult a licensed electrician.
- Disconnect fixture from the power source before replacing bulbs or cleaning. Make sure the bulbs are given sufficient time to cool before removing.

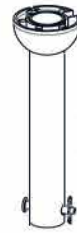
TOOLS REQUIRED



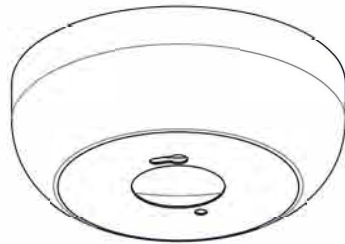
CARE AND MAINTENANCE

- Wipe clean using soft, dry cloth or static duster. Always avoid using harsh chemicals and abrasives to clean fixture as they may damage the finish.

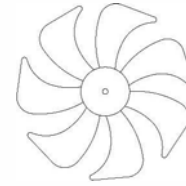
PACKAGE CONTENTS



A Rod Assembly
x 1



C Ceiling Canopy
x 1



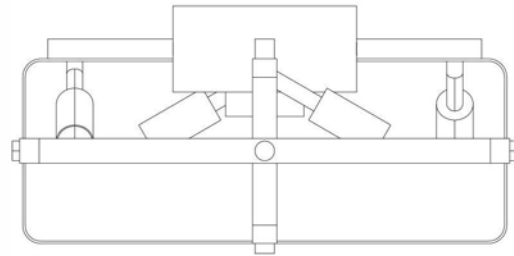
F Fan Blade
x 1



G Blade Assembly Nut
x 1



D Ceiling Canopy Cap
x 1



H Fixture Body
x 1



B Motor Cap
x 1

PACKAGE CONTENTS (PARTS BAG 1)



AA Wire Connector
x 4



BB Screw
x 4



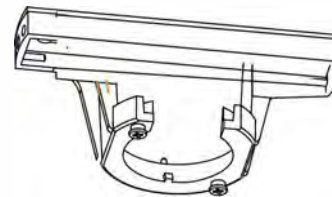
CC Wall Anchor
x 4



DD Anchor Bolt
x 2



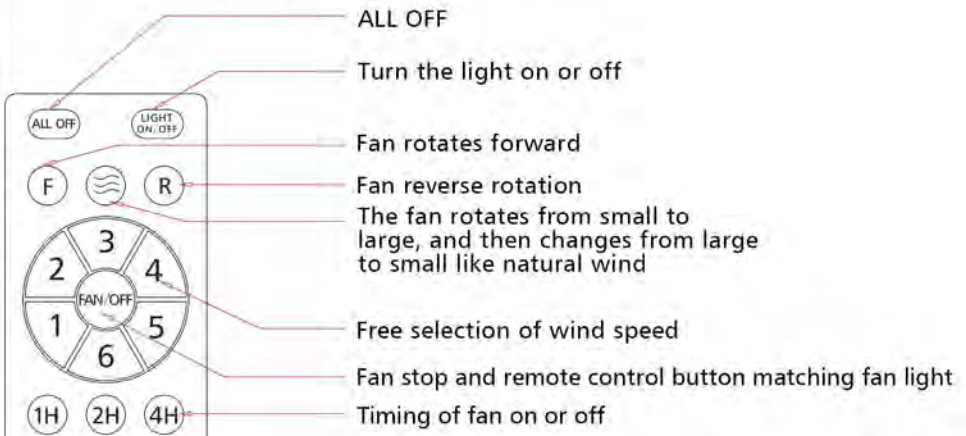
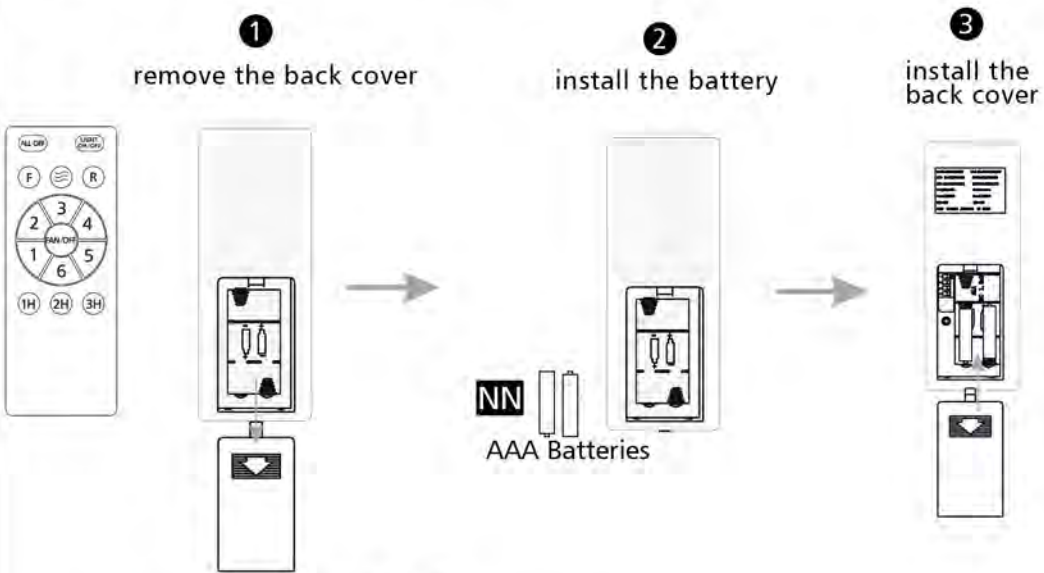
EE Mechanical Screw
x 2



GG Hanger Frame
x 1

INSTALLATION

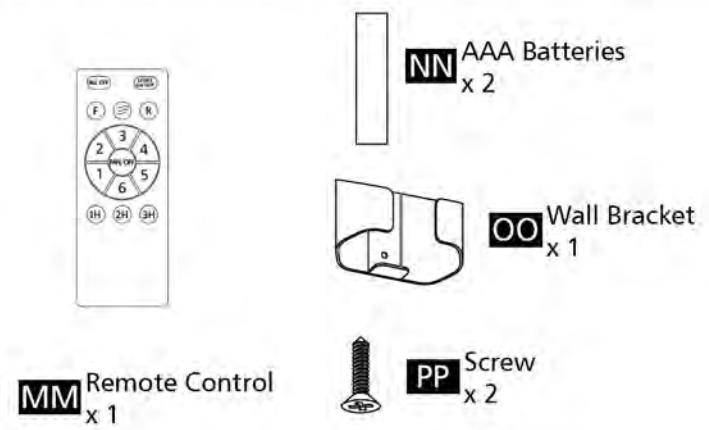
13 Remote Control Instruction



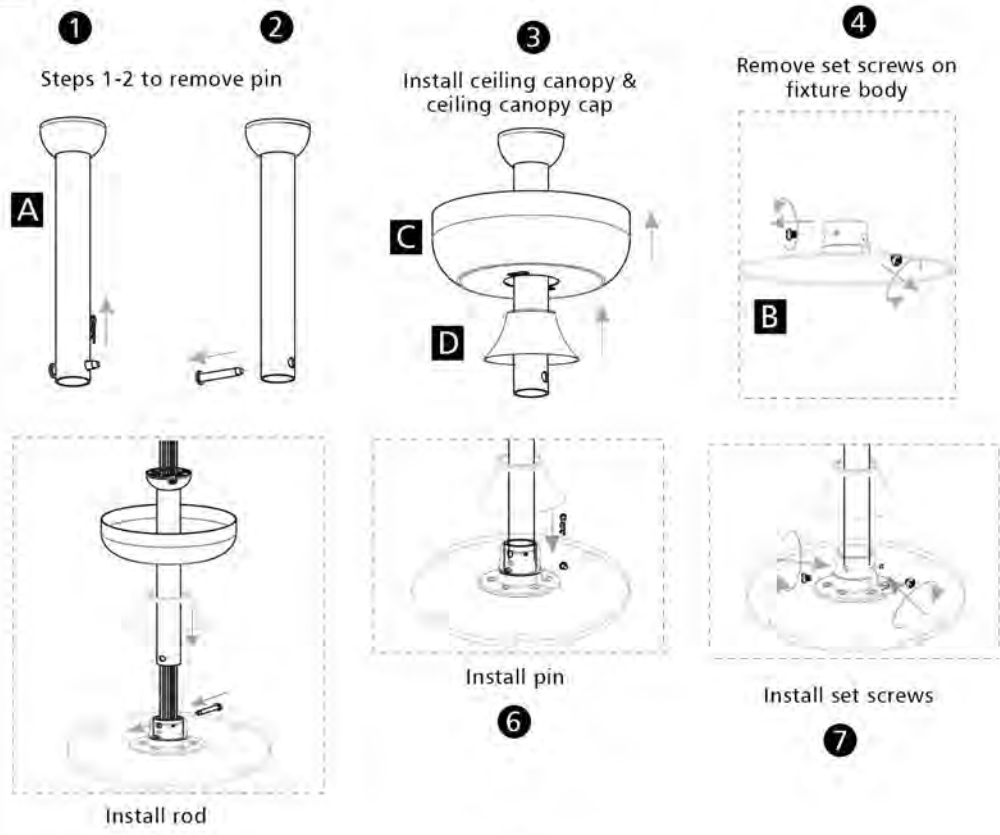
Note: If the remote control does not control the fan, please re-match the remote control with the lamp. First of all, turn on the wall switch, press the FAN/OFF button for more than 3 seconds, when the lamp has sound feedback, it is successful.

Your installation is now complete. Save this sheet for future

PACKAGE CONTENTS (PARTS BAG 2)

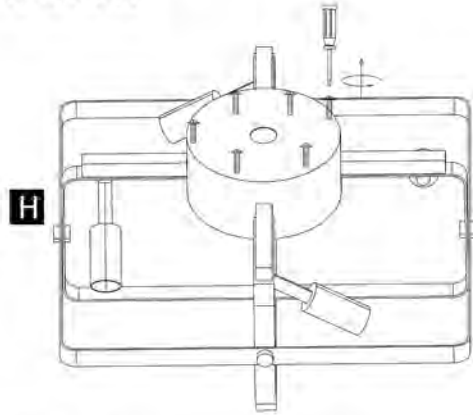


1 Install Rod to Fixture Body

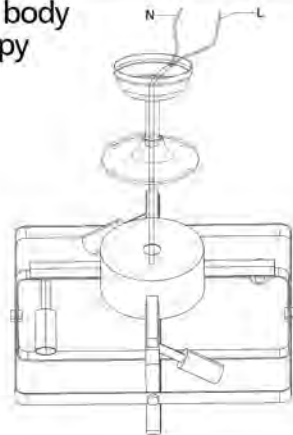


INSTALLATION

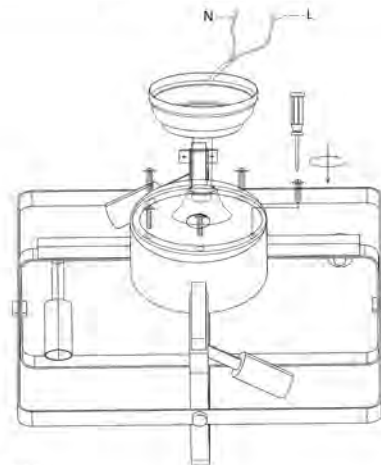
- 2** Remove the set screws on the fixture body



- 3** Thread the wires from the fixture body through the rod and ceiling canopy

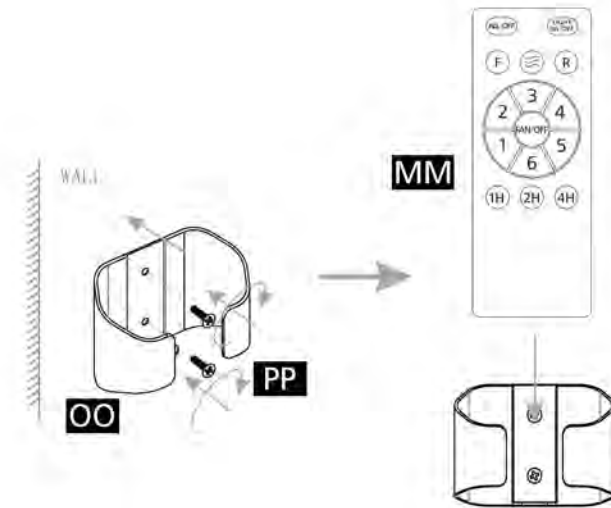


- 4** Install the screws into the motor cap



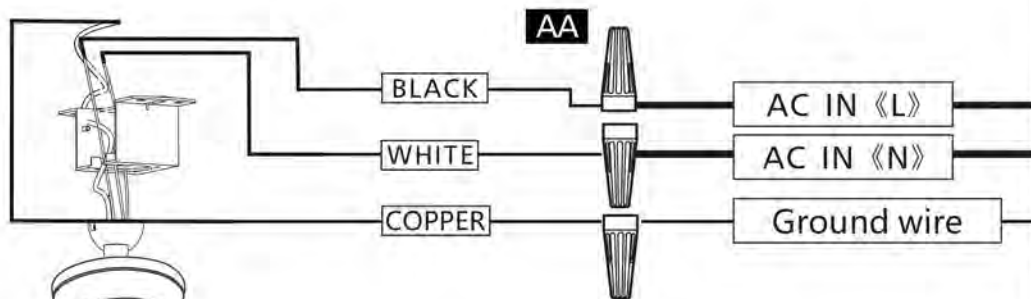
INSTALLATION

- 12** Install Wall Bracket



INSTALLATION

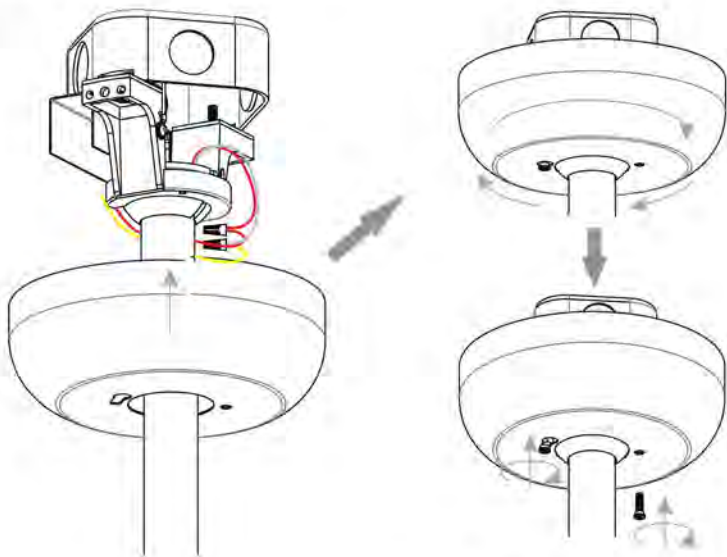
10 Wiring



1. Connect the black wire to the live wire
2. Connect the white wire to the neutral wire
3. Connecting ground

11 Install Ceiling Canopy

Carefully tuck all wires inside of the ceiling canopy during installation.



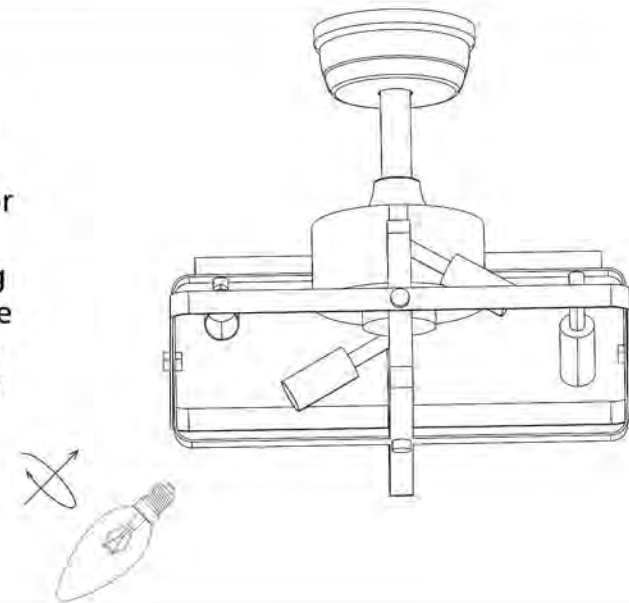
NOTE: You need a short or stubby screwdriver to screw these in



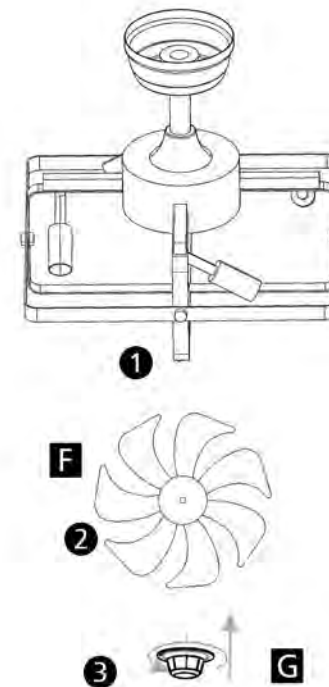
INSTALLATION

5 Install Bulbs

Install four correct bulbs referring to fixture markings and/or labels for maximum wattage. Before installing the bulb rotate the fixture base to 45 degrees to be able to install the bulb. If the angle needs to be changed, disconnect the power supply

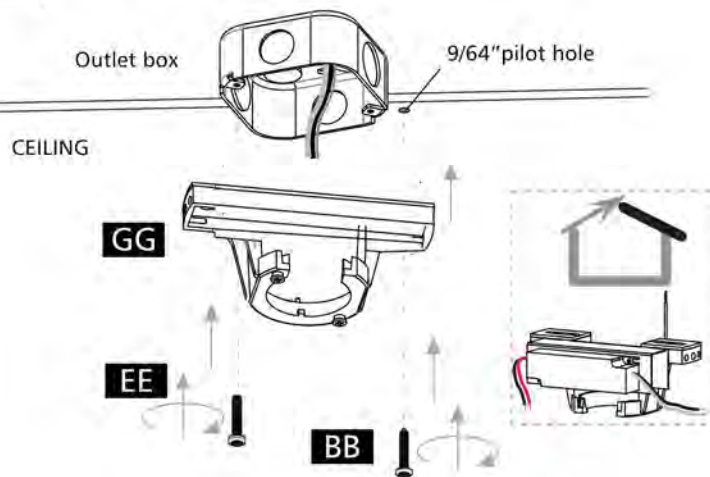


6 Install Fan Blade



INSTALLATION

7 Install Hanger Frame

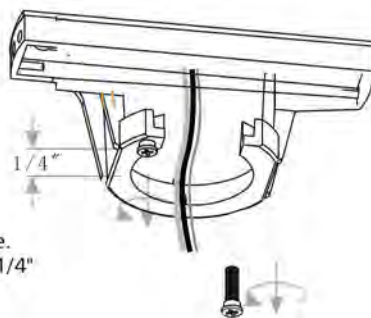


Use machine screws when securing to existing ceiling fan-rated outlet box.

This fan cannot be used for the ceiling which angle is greater than 19 degrees.

For angled ceilings, point opening toward peak.

8 Loosen Shoulder Screws



Remove one shoulder screw from hanger frame. Loosen the other shoulder screw approximate 1/4" and retain it on the hanger frame.

INSTALLATION

9 Install Rod to Hanger Frame

