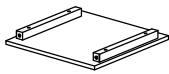
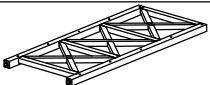
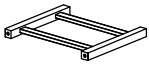
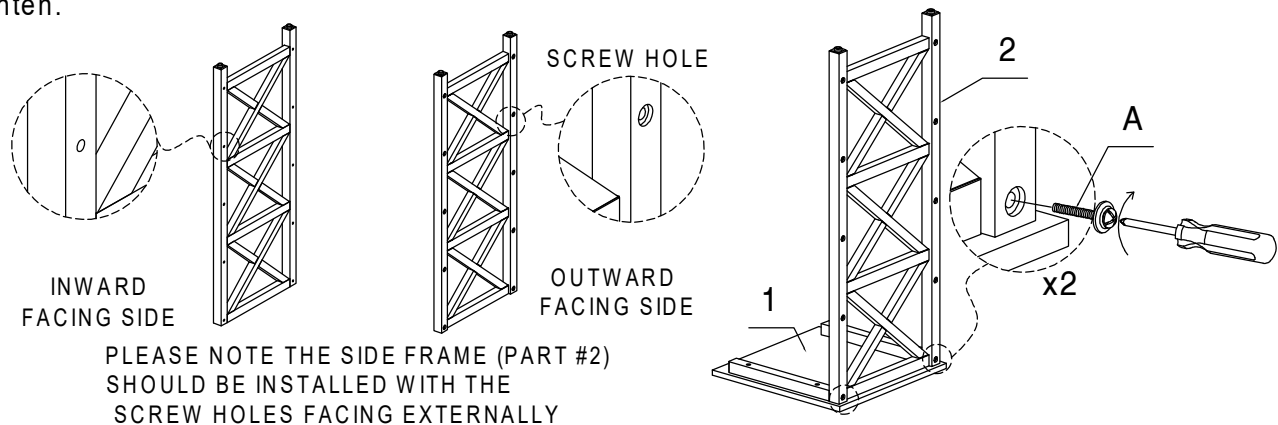


Assembly Instructions

PARTS LIST				HARDWARE LIST		
NO	DESCRIPTION		QTY	NO	DESCRIPTION	QTY
1	TOP		1	A	JCBC SCREW (3/16"x45mm)	20
2	SIDE FRAME		2	B	BASKET FRAME	4
3	SHELF FRAME		4	C	BASKET BOTTOM	4

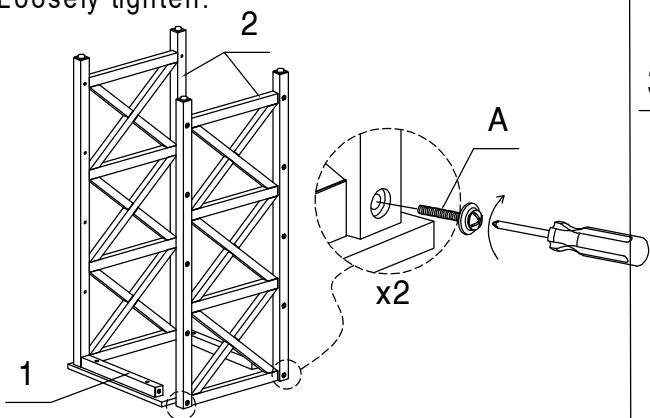
STEP 1:

- A. Place top (1) on A flat, protected surface.
- B. Attach side frame (2) to top (1) with bolts (A).
- C. Using screw driver (Not provided). Loosely tighten.



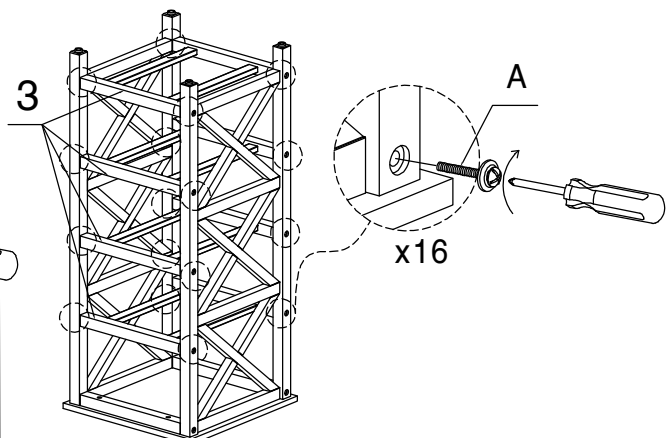
STEP 2:

- A. Attach the other side frame (2) to top with bolts (A).
- B. Using screw driver (Not provided). Loosely tighten.



STEP 3:

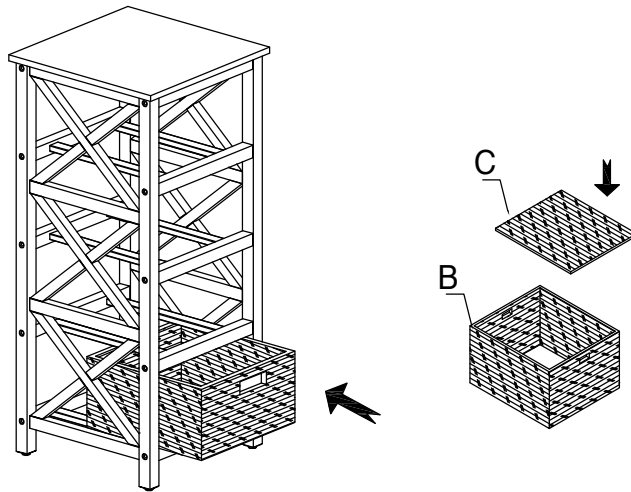
- A. Attach shelf frames (3) with bolts (A).
- B. Using screw driver (Not provided).
- C. Tighten all bolts and screws.



Assembly Instructions

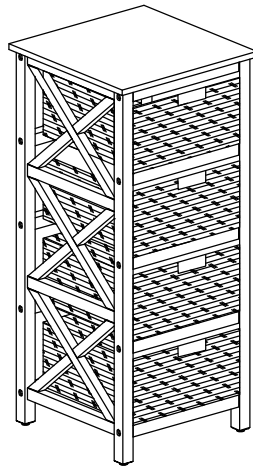
STEP 4:

- A. Rotate the assembled unit to upright position.
- B. Insert basket bottom (C) into basket frame (B). Repeat for remaining baskets.
- C. Place the baskets into tower as shown.



STEP 5:

- A. Assembly is complete.



IMPORTANT NOTE:

- PLACE ALL WOODEN PARTS ON A CLEAN AND SMOOTH SURFACE TO AVOID SCRATCHING.
- KINDLY FOLLOW THE ASSEMBLY INSTRUCTION STEP BY STEP.
- WE RECOMMEND THAT YOU PERIODICALLY TIGHTEN ALL BOLTS/SCREWS. PLEASE MAKE SURE ALL BOLTS/SCREWS ARE PLACED IN THEIR PROPER POSITION AND ARE TIGHTENED SECURELY TO ENSURE YOUR SAFETY.
- WEIGHT RESTRICTION: TOP: 40LBS, BASKETS: 20LBS EACH.
- DO NOT SIT, STAND OR CLIMB ON THE STORAGE TOWER.
- NOT FOR COMMERCIAL USE.