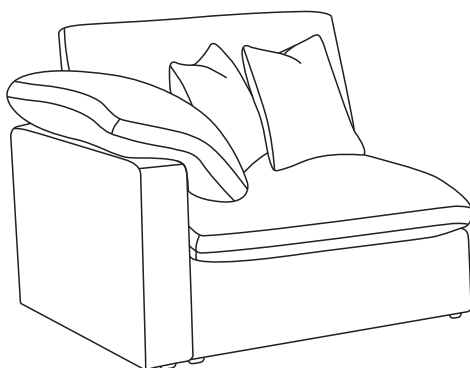
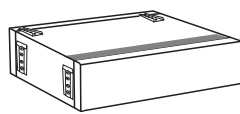
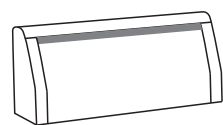
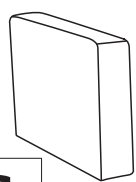

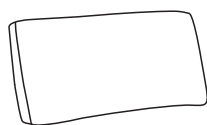

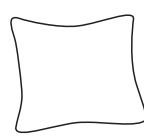


ASSEMBLY INSTRUCTION


ITEM NO.:SF1903/1904/1905/1906/1907/1908/1909/1910

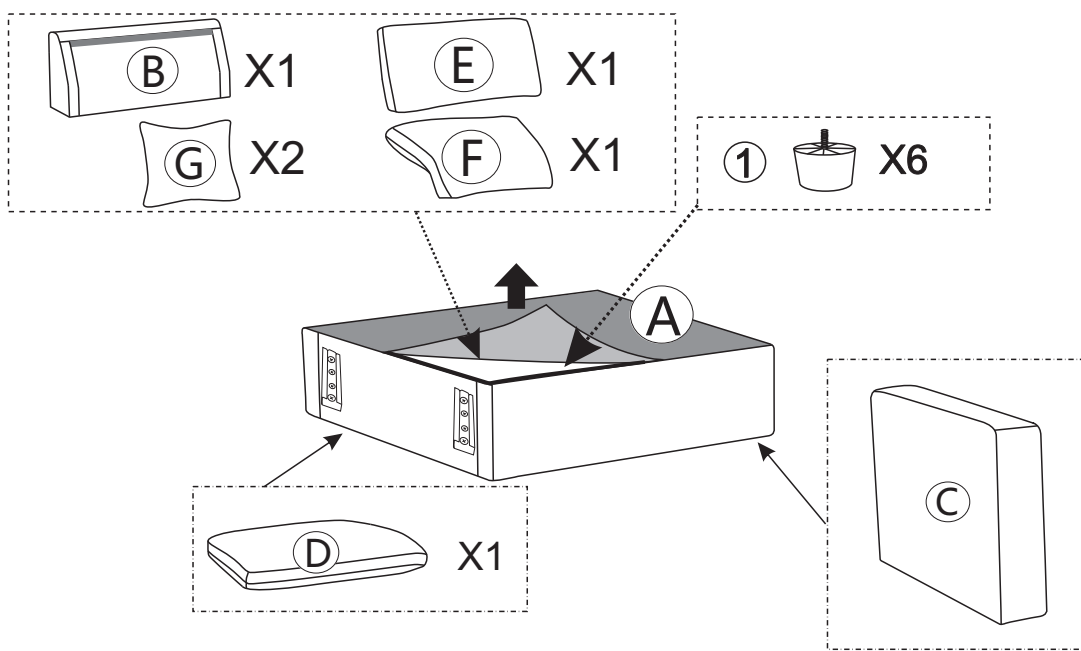


PARTS LIST

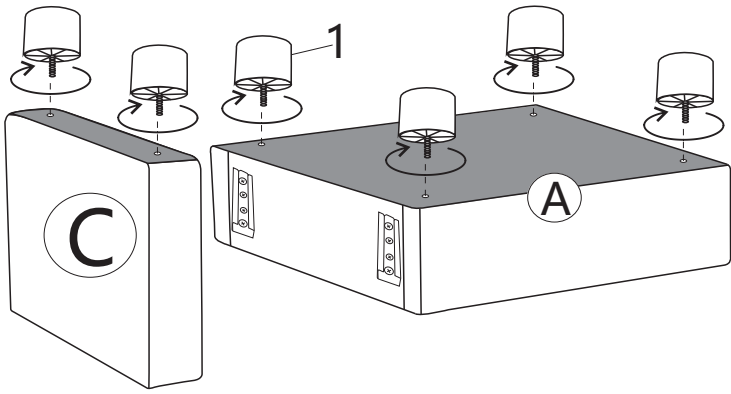
					
A	B	C	D	E	F
X1	X1	X1	X1	X1	X1
					
G					
X2					

HARDWARE LIST

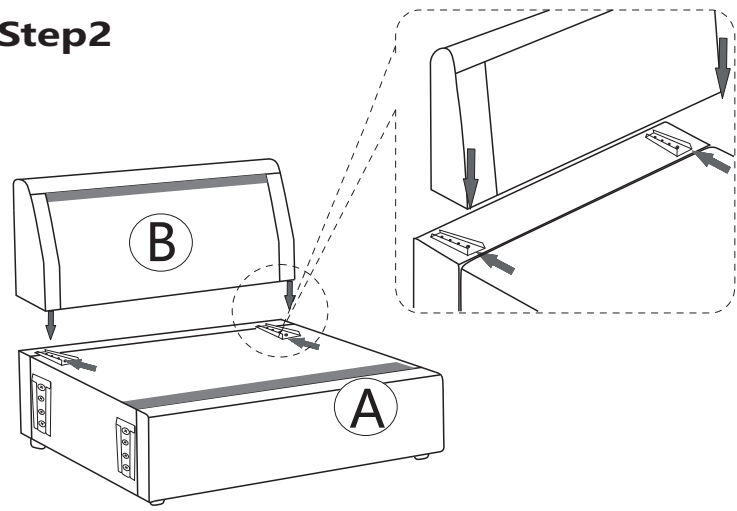

1
X6



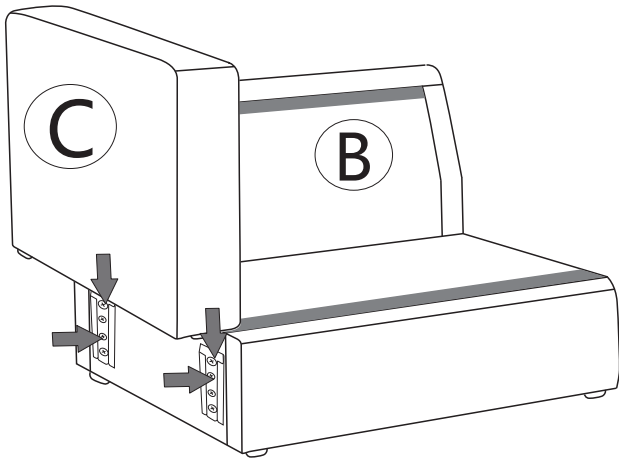
Step1



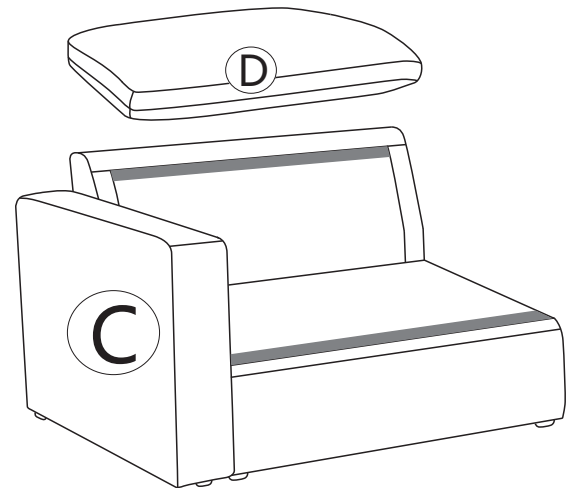
Step2



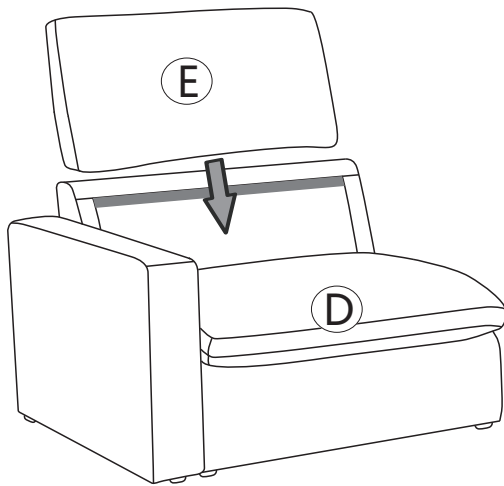
Step3



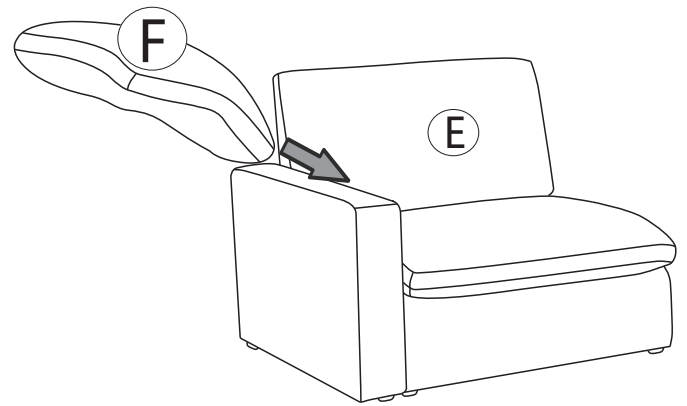
Step4



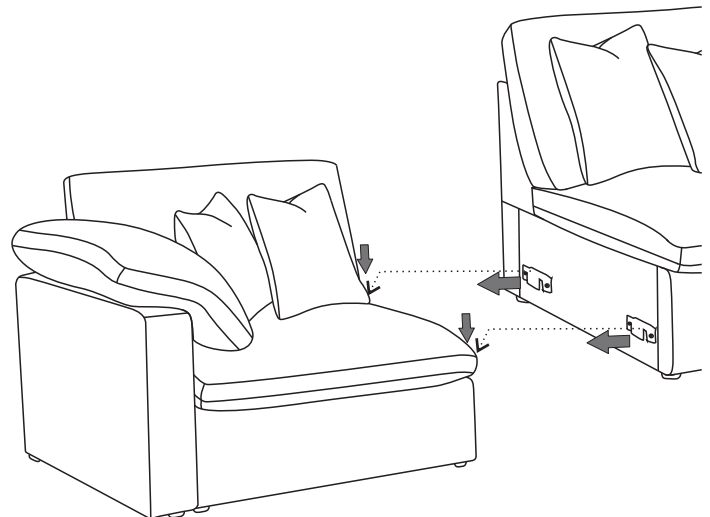
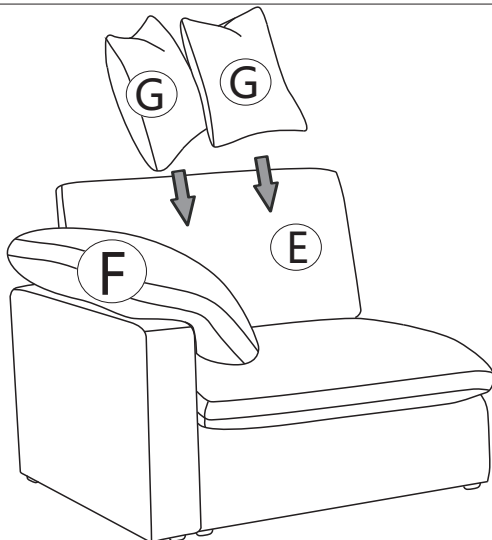
Step5



Step6

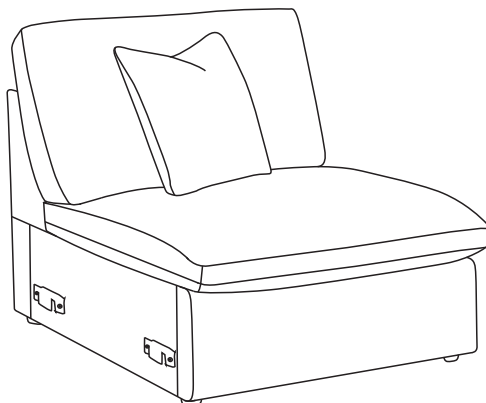


Step7

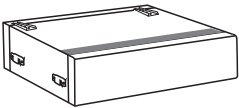
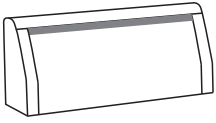


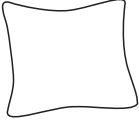


ASSEMBLY INSTRUCTION

ITEM NO.:SF1903/1904/1905/1906/1907/1908/1909/1910

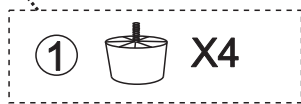
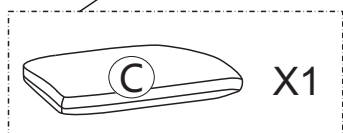
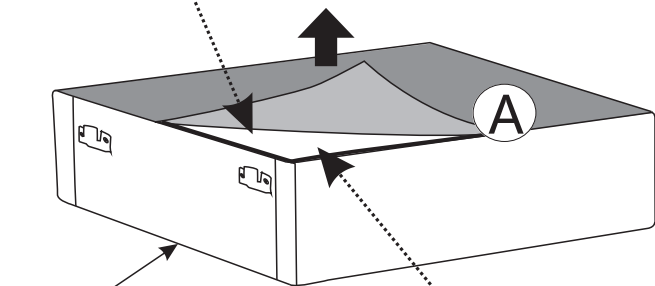
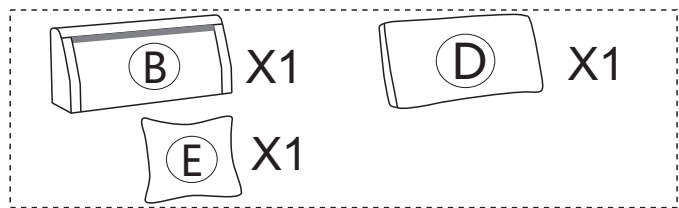


PARTS LIST

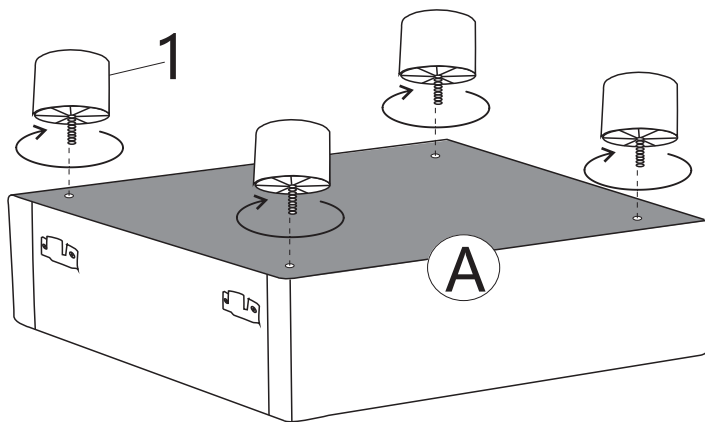
					
A	B	C	D	E	
X1	X1	X1	X1	X1	

HARDWARE LIST

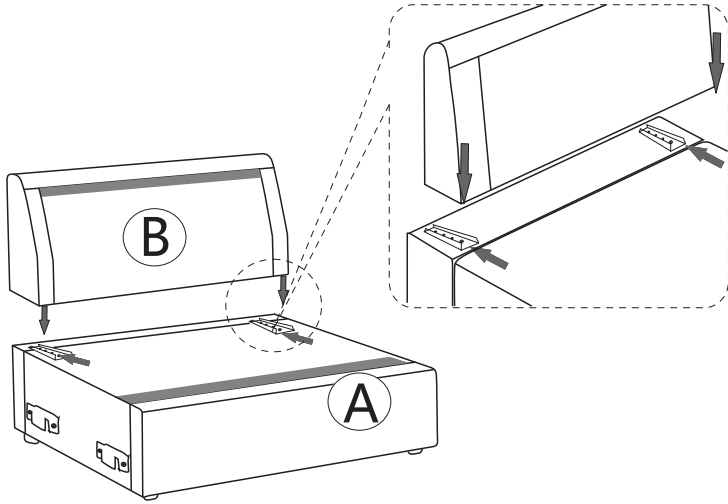
	
1	X4



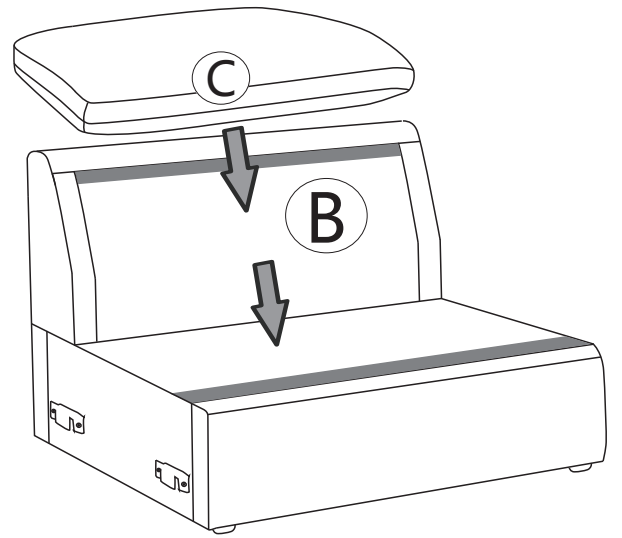
Step 1



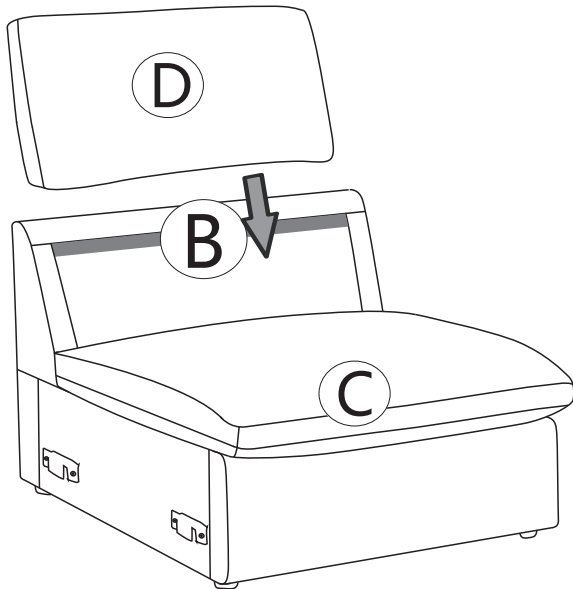
Step2



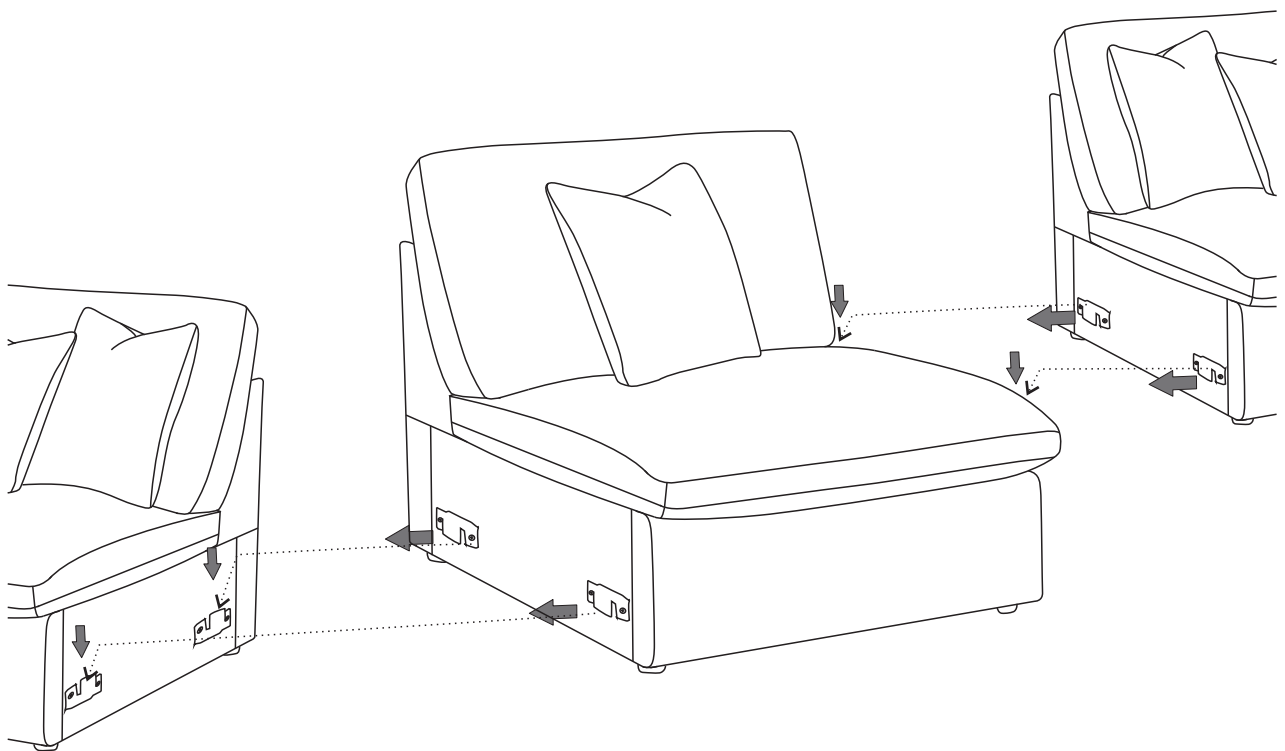
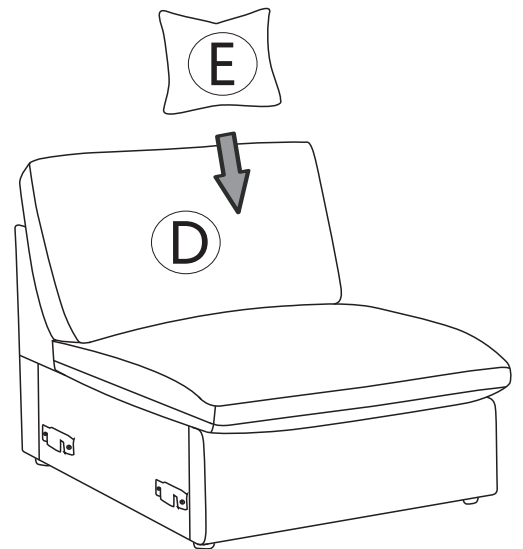
Step3



Step4

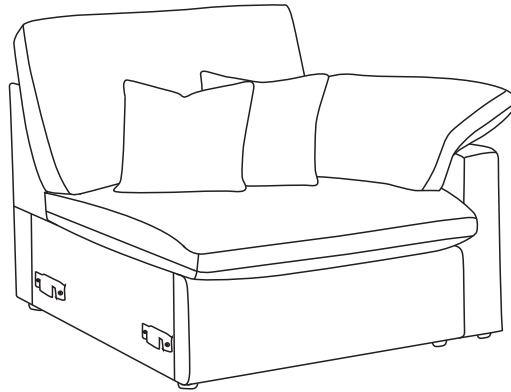


Step5

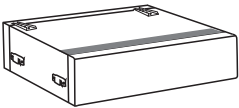
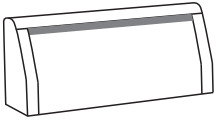
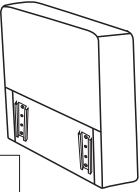

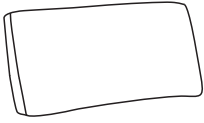
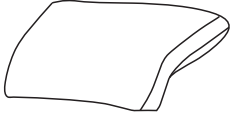
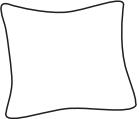


ASSEMBLY INSTRUCTION

ITEM NO.ITEMNO.:SF1903/1904/1905/1906/1907/1908/1909/1910

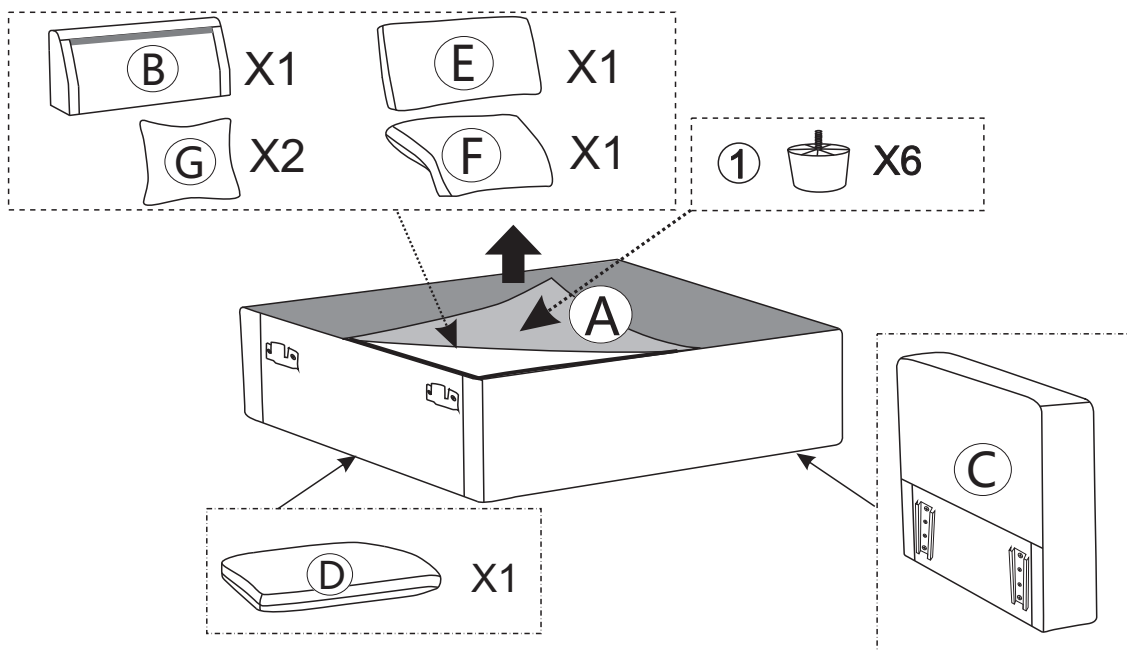


PARTS LIST

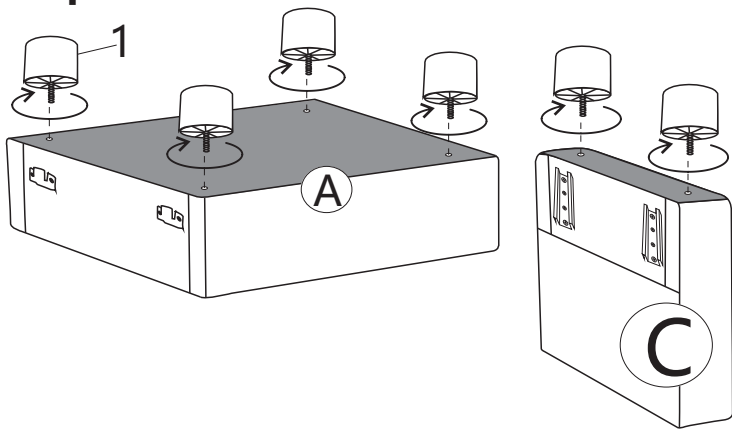
					
A X1	B X1	C X1	D X1	E X1	F X1
					
G X2					

HARDWARE LIST

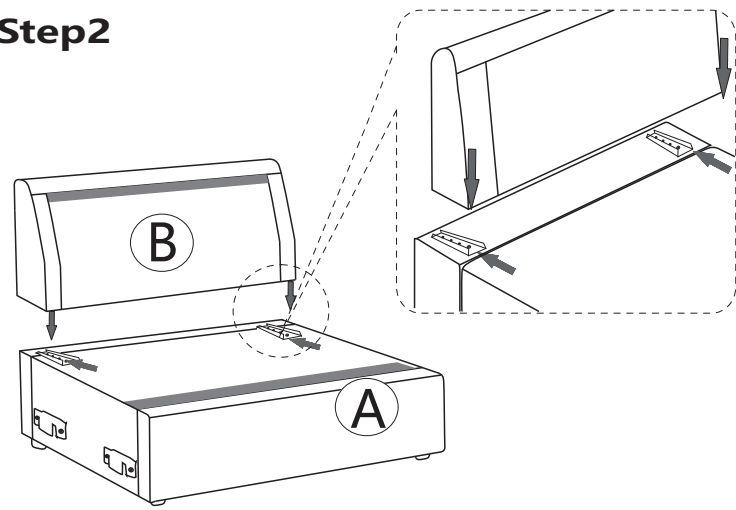
	
1 X6	



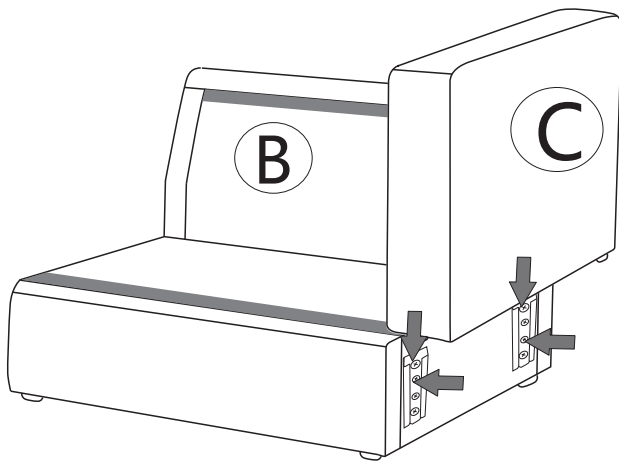
Step1



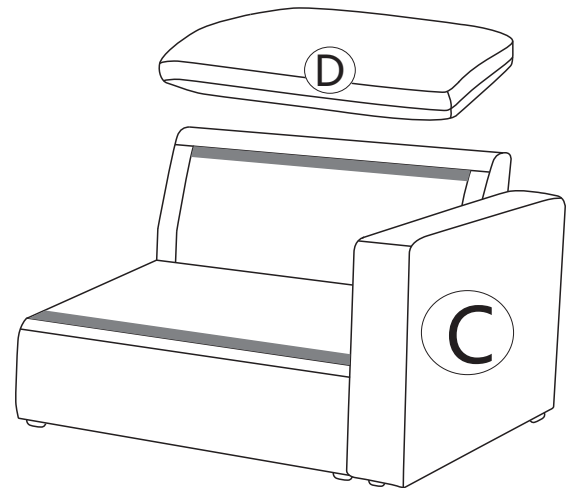
Step2



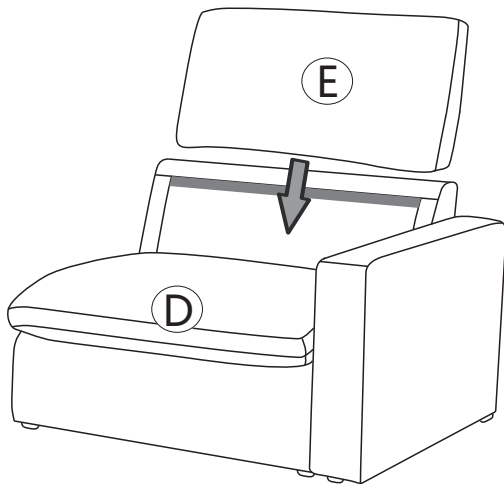
Step3



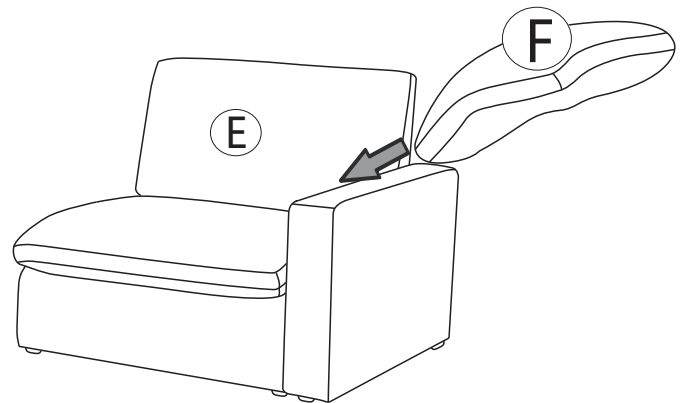
Step4



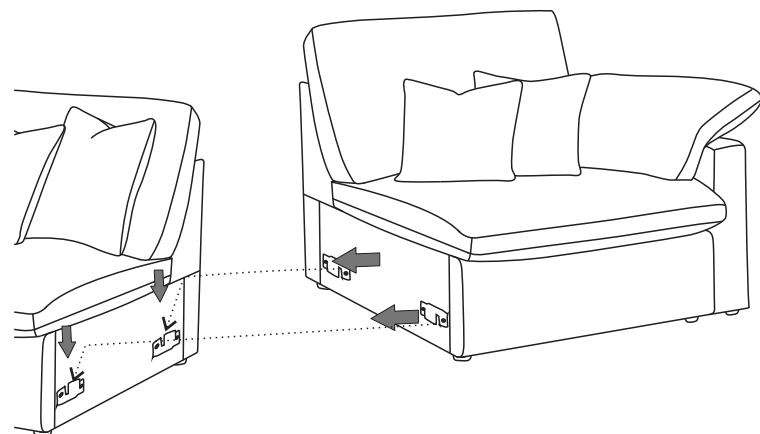
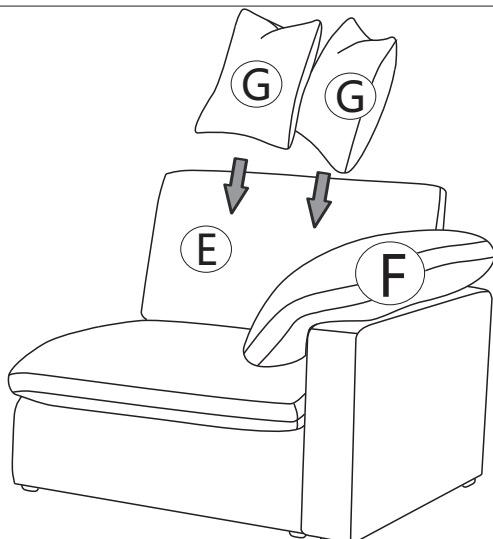
Step5



Step6

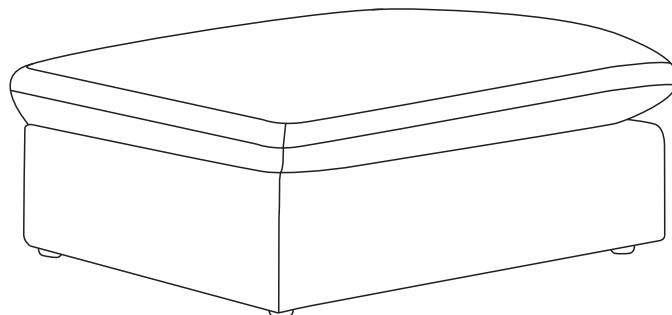


Step7



ASSEMBLY INSTRUCTION

ITEM NO.:ITEMNO.:SF1903/1904/1905/1906/1907/1908/1909/1910



PARTS LIST



A

X1



B

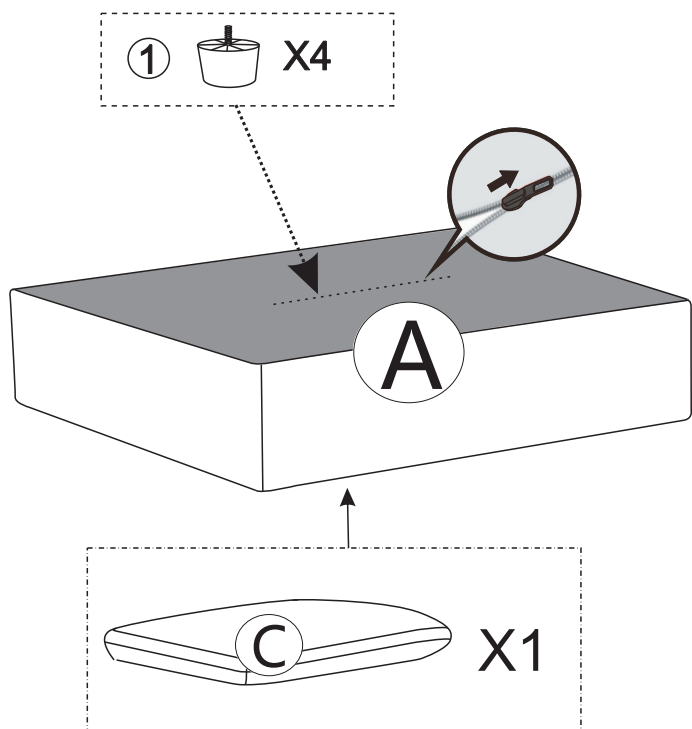
X1

HARDWARE LIST

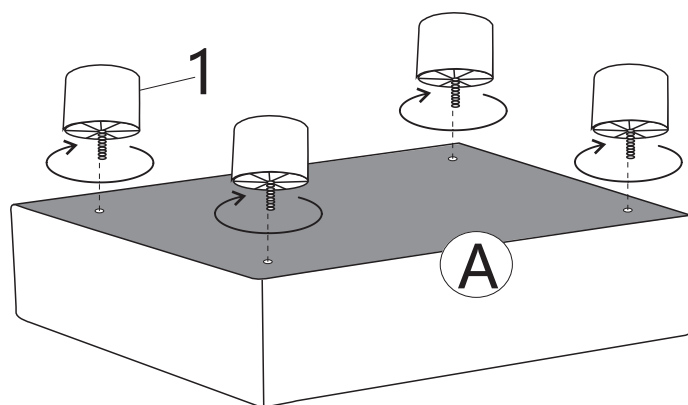


1

X4



Step1



Step2

