

INSTRUCTIONS FOR YOUR PRODUCT

Parts

A (1 PC)



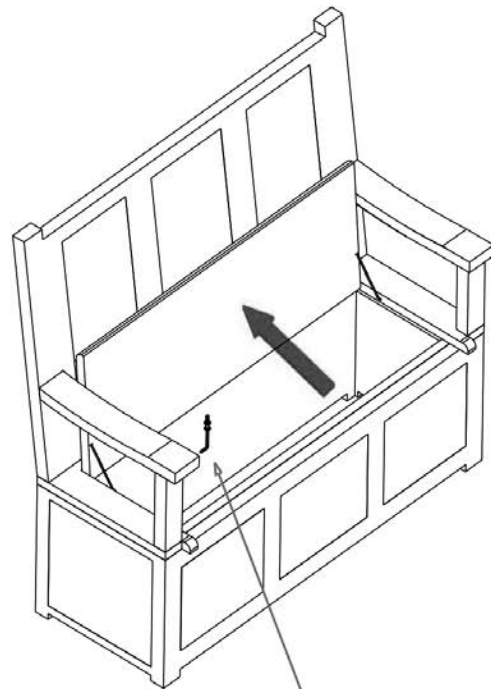
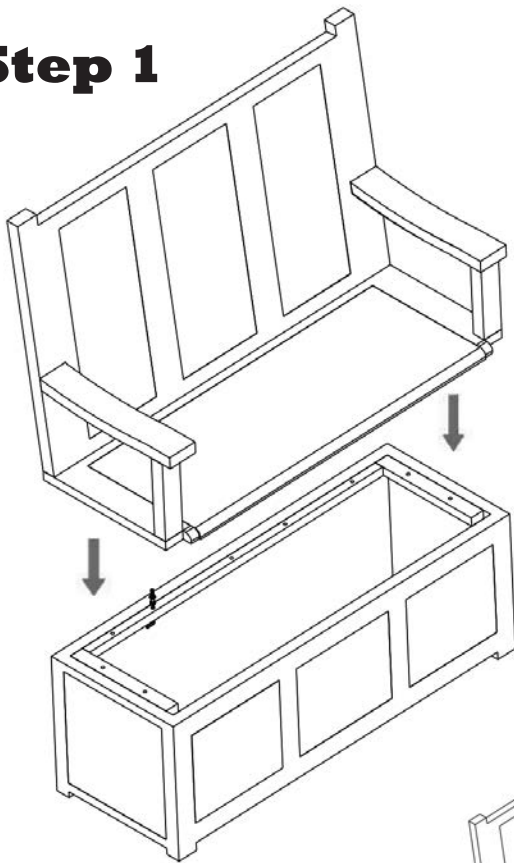
B (9 PCS)



C (9 PCS)

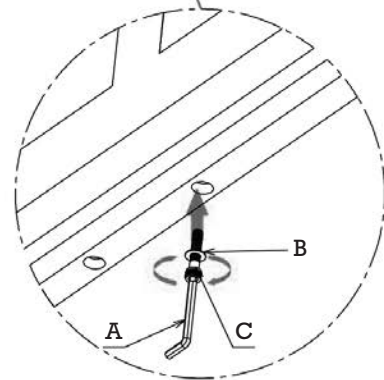


Step 1

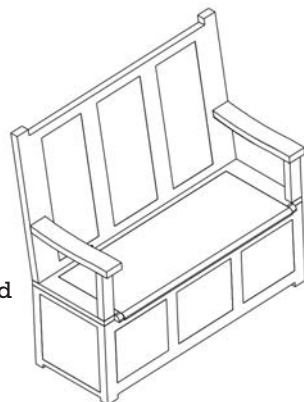


Step 2

Repeat 9 times.



Assembled
Product



**THANK YOU FOR
YOUR PURCHASE**