

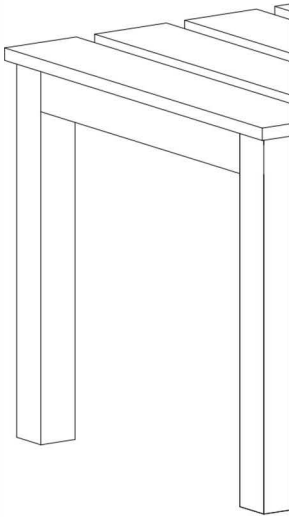
Owner Manual



SIDE TABLE

WARRANTY

We strive to offer high quality product and we also try our best to satisfy each customer that order from us, no matter on products or services as needed. Each customer receives a record of their order, such as the order number or item receipt. For any items that are out of warranty period, you may still be able to purchase the replacement parts from our company if they are available.



MAINTENANCE AND WARNING

Please read the manual thoroughly
before you start installing.

Please keep the product away from
sharp object.

Packaging and small parts may have
chocking hazard, please keep them away
from children and pets.

Please clean the product according to each
clean code, check the product description
for more information.

Please keep the product away from
fire.

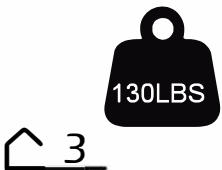
If you have any other questions, please
contact us, we will be glad to help you out.

If the product is placed under direct
sunlight, the pattern or color might fade
away overtime.

Check the product periodically to make
sure everything is secured and tightened.

Always use proper tools for installation.

Do not jump on the product.



Around 15 min

PRODUCT DESCRIPTION

Solid Teak Construction: Built from premium teak wood, this side table naturally resists weather, moisture, and daily wear.

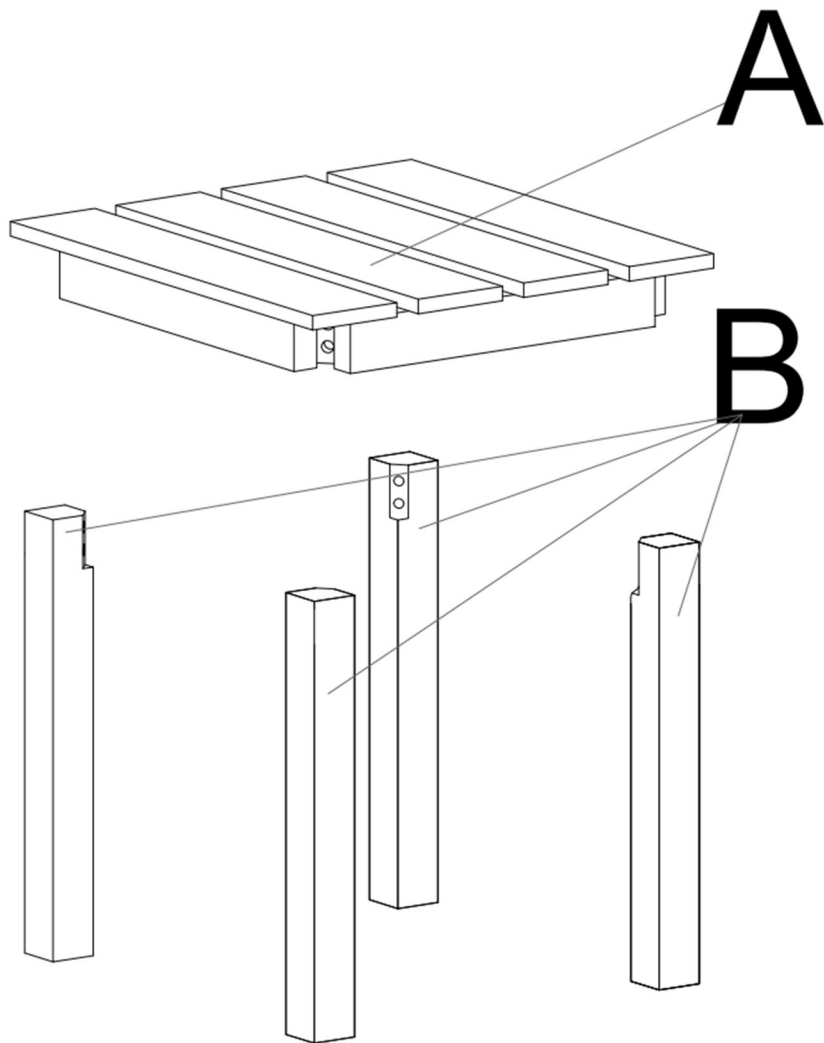
Compact & Lightweight: Easy to move around, perfect for flexible outdoor arrangements.

Square, Spacious Tabletop: Ample room for drinks, books, or personal items during outdoor relaxation.

Minimalist Design: Clean lines and a simple silhouette blend with any patio décor.

Versatile Placement: Ideal for patios, decks, balconies, or garden spaces.

EXPLODED VIEW



PARTS

A*1

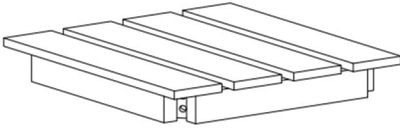


Table top

B*4



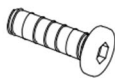
Legs

HARDWARE

TOOL LIST

NOTE: Designated with (★) We provide additional spare parts in the hardware package

①*8



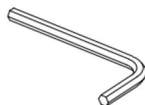
★ M6*55mm
Bolt

②*8



★ Ø6*18mm
Flat washer

③*1



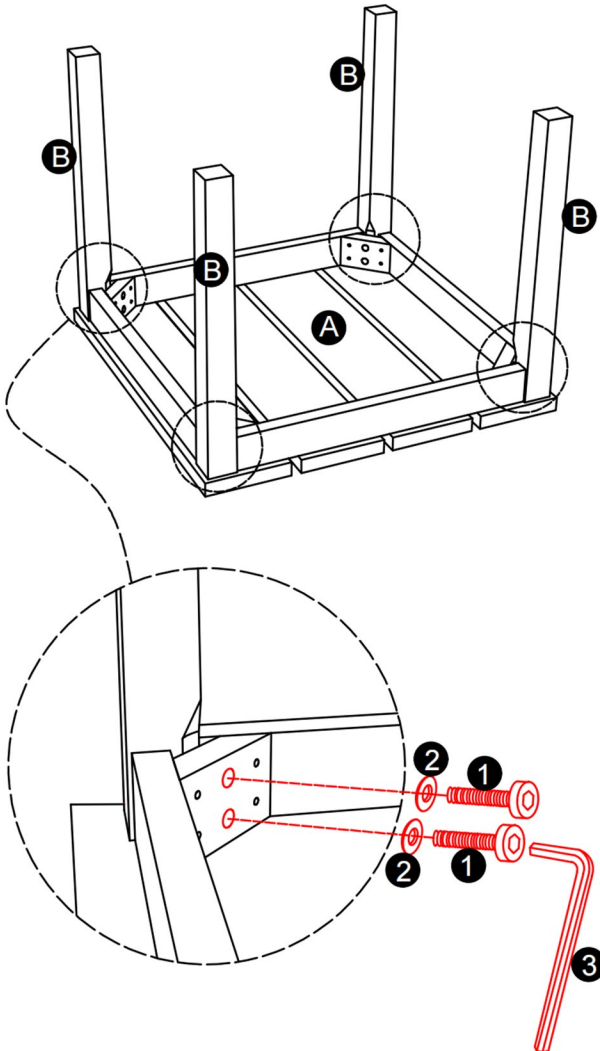
Allen key

Please make sure all hardware & packing material fitting the list.

Especially some small accessories may be missing during transportation. Please contact us if you have any question.

step 1

Place the Table Top (A) upside down on a clean surface as shown. First, place one flat washer (2) on each bolt (1), then use the allen wrench (3) provided to tighten the table legs to each corner of the Table Top.



step 2

Congradualtions! The assembly has complete! Thank you again for choosing our product, please enjoy!

