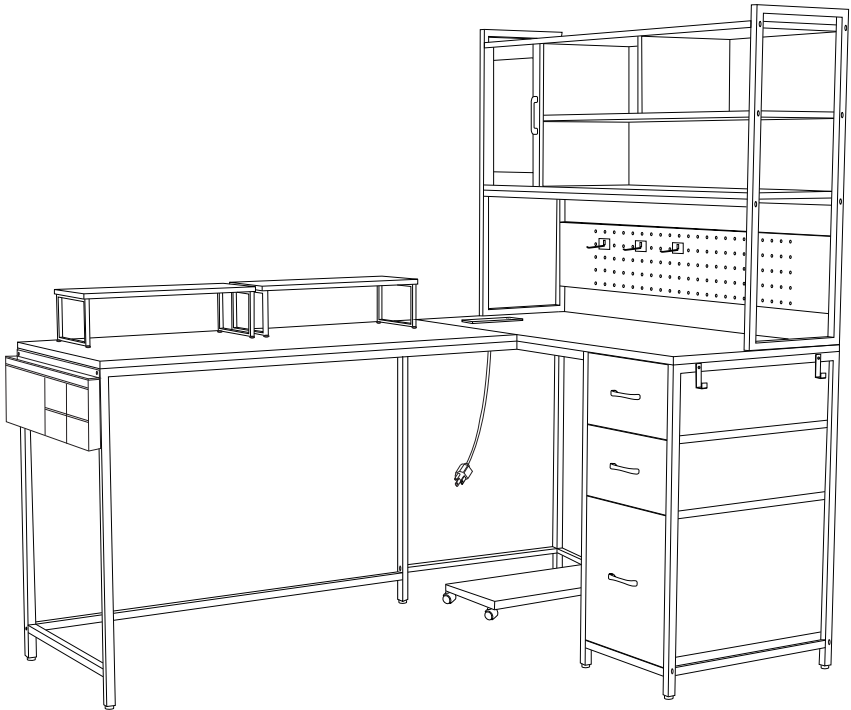


Home Office Desk Assembly Instructions

TB001



Need help? Email us at support@tablairservice.com

Home Office Desk Table Assembly Instructions

Dear Customer,

Thank you for choosing our table! Before you start assembling, please take a couple of minutes to review the tips below to ensure a smooth and safe assembly. If you have any issues during the assembly, please reach out to us at: **support@tblairserve.com**

IMPORTANT NOTES:

- Please keep these instructions for future reference.
- After receiving the package, unpack all the parts and assemble the table on a soft surface (like a carpet or mat) to avoid scratching the components.
- We recommend having two people for assembly.
- If you notice any unusual smell while assembling, don't worry — this is normal. Just place the product in a well-ventilated area (like a balcony or patio) for 1–2 days. Our products are certified and safe, so there's no need to worry about health risks.

Return/Damage Claims:

- If your package arrives damaged, please reach out to us with photos of the damage. For non-human caused quality issues, we will do our best to resolve them. Returns due to personal reasons will require you to cover the return shipping fee.
- To return an item, it must be in brand new, unopened condition within 30 days of receipt. Please use the return label we provided. Do not mix labels across different boxes.
- Returns after 30 days may not be processed. Thank you for your understanding.
- The product comes with a 1-year warranty. For issues caused by non-human factors, we'll replace any defective parts for free. After the warranty period or for accidental damage, parts can be replaced at your cost for shipping.

Assembly Guide

Before starting, make sure you have all the parts listed in the manual. If something is missing, stop the assembly and contact us immediately.

Tips:

- Don't tighten the screws completely until all parts are aligned.
- If screws don't align with the holes, slightly loosen them and tighten diagonally.
- If the table feels uneven or unstable after assembly, loosen nearby screws, adjust the alignment, then re-tighten in a diagonal pattern.

Limited Warranty

We're dedicated to providing great customer service and making your experience as smooth as possible.

Return Policy: You can return the product within 30 days of receipt, as long as it's in brand new, unused condition. We'll inspect the returned product and issue a refund once we confirm it's undamaged.

Warranty Coverage: The product is covered by a 1-year warranty starting from the purchase date. We'll replace parts for free in case of non-human-caused damage. For personal damage, parts can be replaced at your cost for shipping.

Exclusions:

1. Claims submitted after the warranty period will not be considered.

2. Products purchased by mistake are not covered.



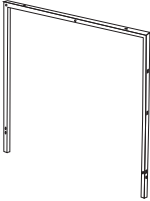
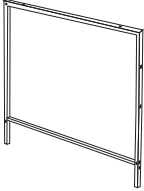


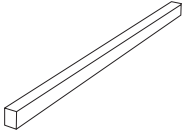



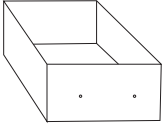
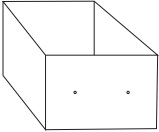
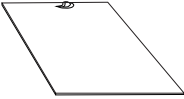
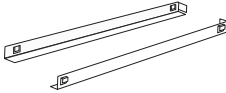


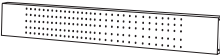

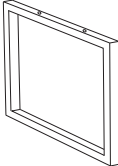

Any defects in materials or craftsmanship will be repaired or replaced within a reasonable time, free of charge. We reserve the right to ask for the return of damaged parts.

Note: Natural wood grain variations, fabric wrinkles, and slight color differences are considered normal features, not defects.


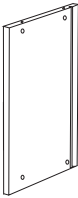

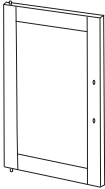
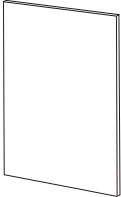
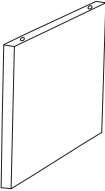

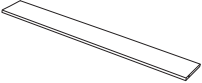
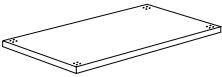
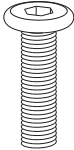
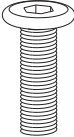
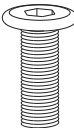
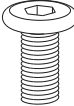




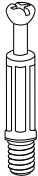

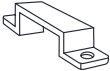
If you have any questions regarding the warranty, please contact us at **support@tablairservice.com**. Be ready to provide your name, address, phone number, product model, order number, purchase date, and store name for quick processing.

This warranty gives you specific legal rights, and you may have other rights that vary depending on your location.

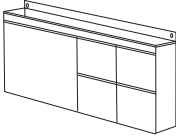
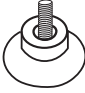
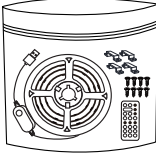
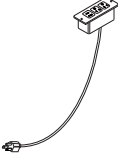
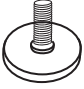
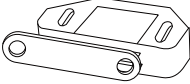






Parts list

A 	B 	C 	D 
E  x2	F 	G  x2	H 
I 	J 	K1  x2	K2 
L  x3	N  x3	M1 	M2 
O 	P  x2	Q  x4	R  x2

Parts list

<p>S</p> 	<p>T1</p> 	<p>T2</p> 	<p>U</p> 
<p>V</p> 	<p>W</p> 	<p>X</p> 	<p>Y</p> 
<p>Z</p> 	<p>①</p>  <p>M6×35mm×18</p>	<p>②</p>  <p>M6×32mm×16</p>	<p>③</p>  <p>M6×30mm×14</p>
<p>④</p>  <p>M6×15mm×6</p>	<p>⑤</p>  <p>M3×10mm×28</p>	<p>⑥</p>  <p>M3×13mm×8</p>	<p>⑦</p>  <p>M3×15mm×2</p>
<p>⑧</p>  <p>×2</p>	<p>⑨</p>  <p>7×40mm×19</p>	<p>⑩</p>  <p>M12×19</p>	<p>⑪</p>  <p>×4</p>

Parts list

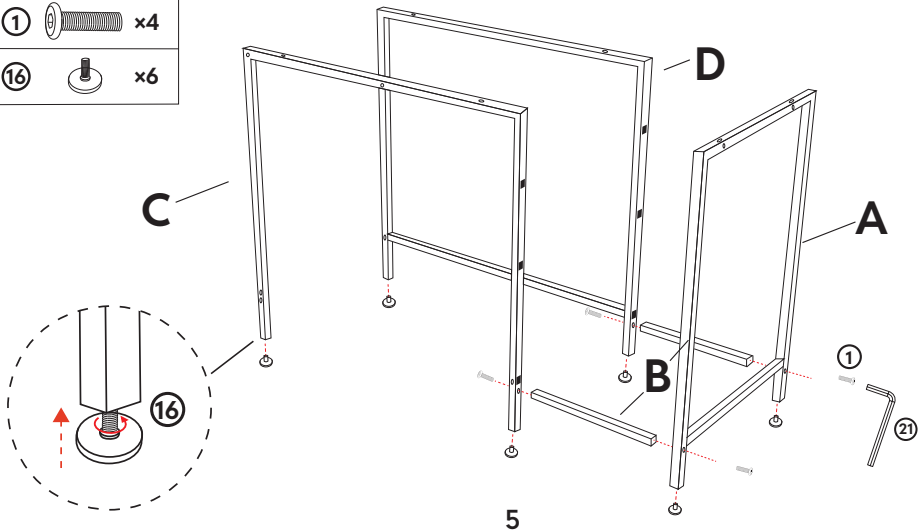
<p>12</p> 	<p>13</p> 	<p>14</p> 	<p>15</p> 
<p>16</p> 	<p>17</p> 	<p>18</p> 	<p>19</p> 
<p>20</p> 	<p>21</p> 	<p>21</p> 	<p>22</p> 
<p>x4</p>	<p>x6</p>	<p>x4</p>	<p>x2</p>

STEP 1



1 1 x4

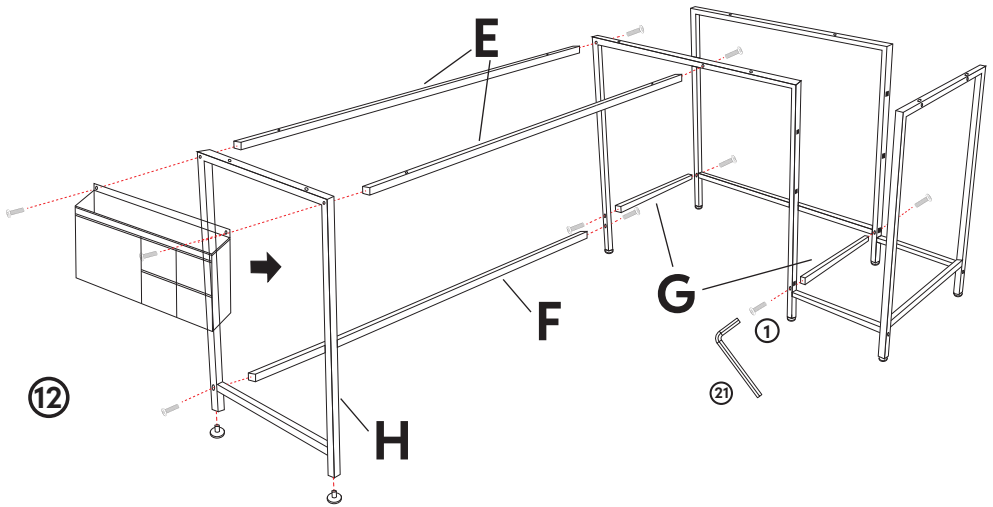
16 1 x6

! Do not fully tighten the screws yet.





STEP 2

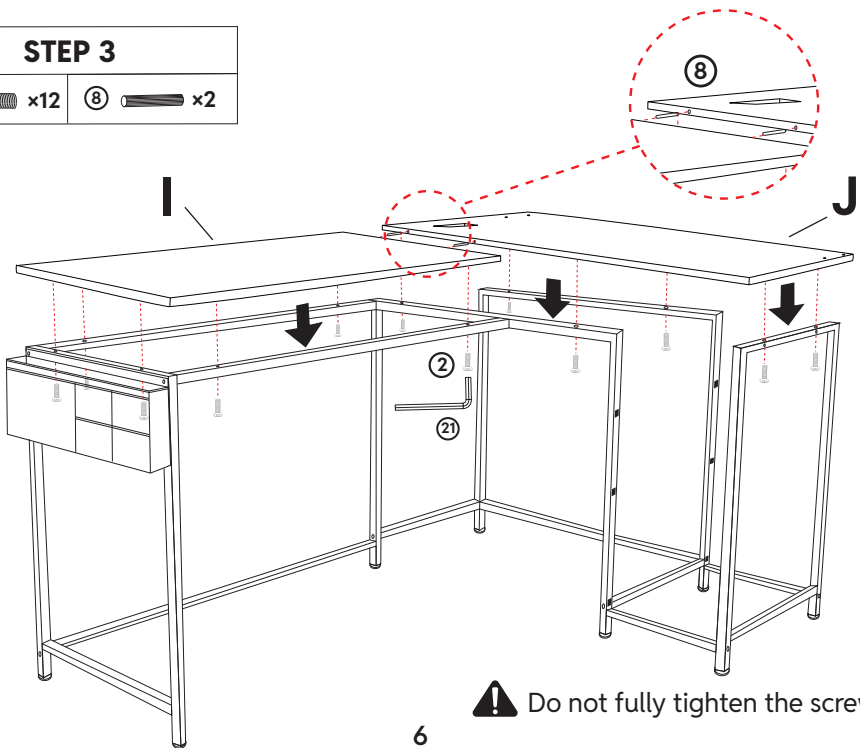
①  x10 ⑫  x2




 Do not fully tighten the screws yet.

STEP 3

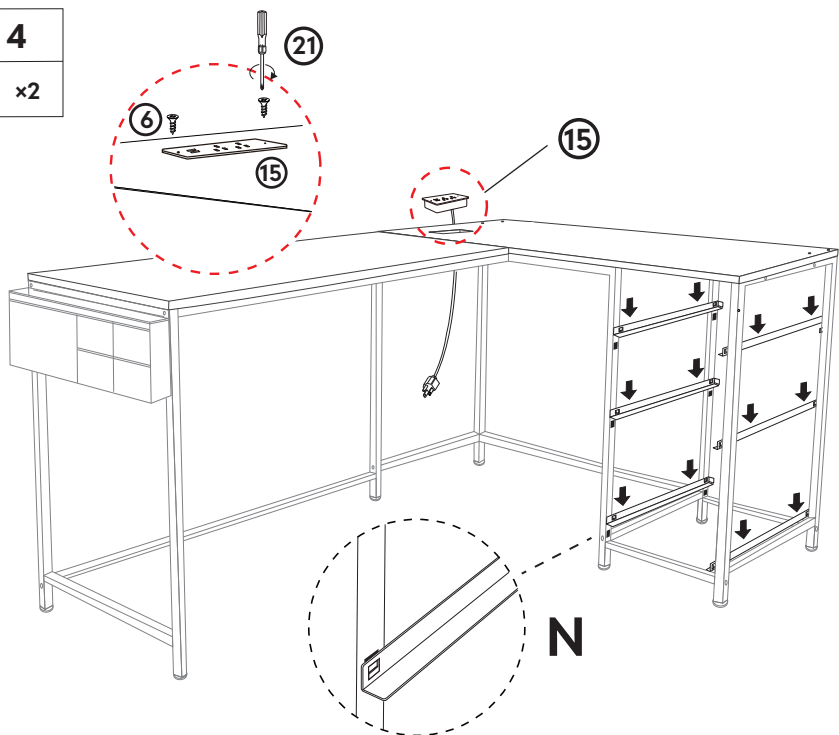
②  x12 ⑧  x2



 Do not fully tighten the screws yet.

STEP 4

⑥  x2

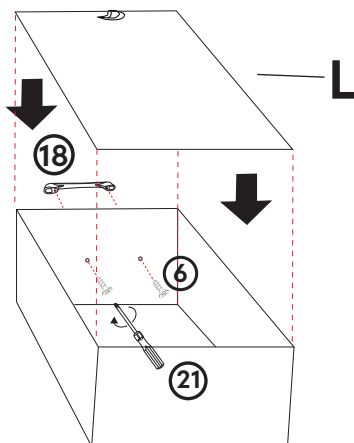
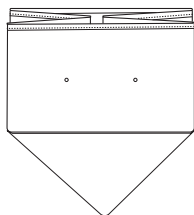


STEP 5

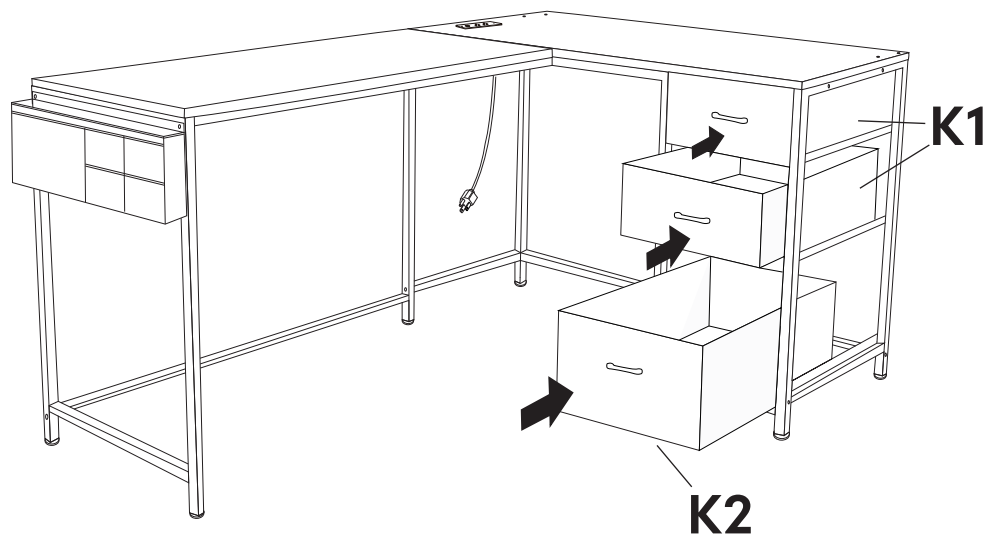
⑥  x6

Unfold the fabric drawers: 2*K1 and 1*K2.

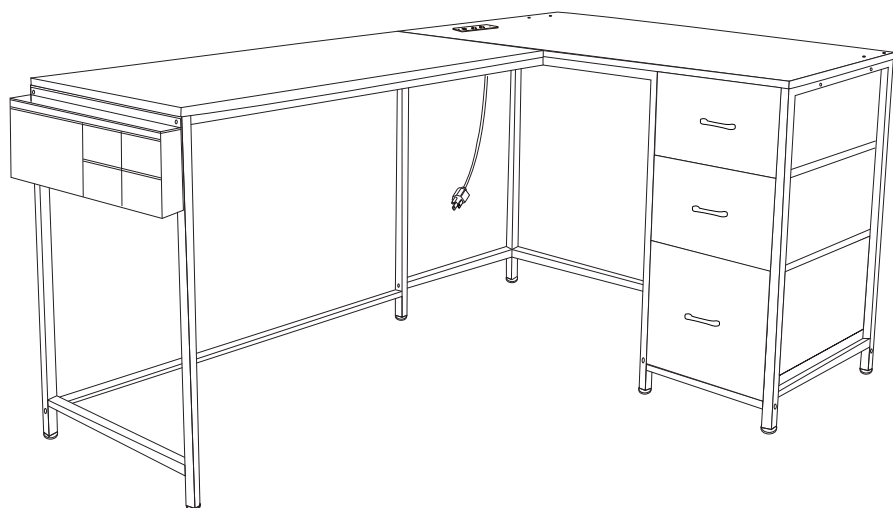
K1/K2



STEP 6

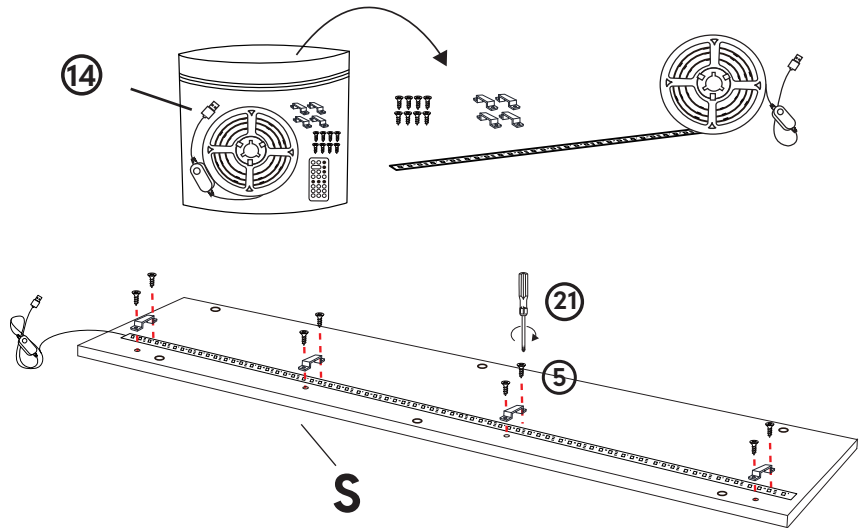


STEP 7



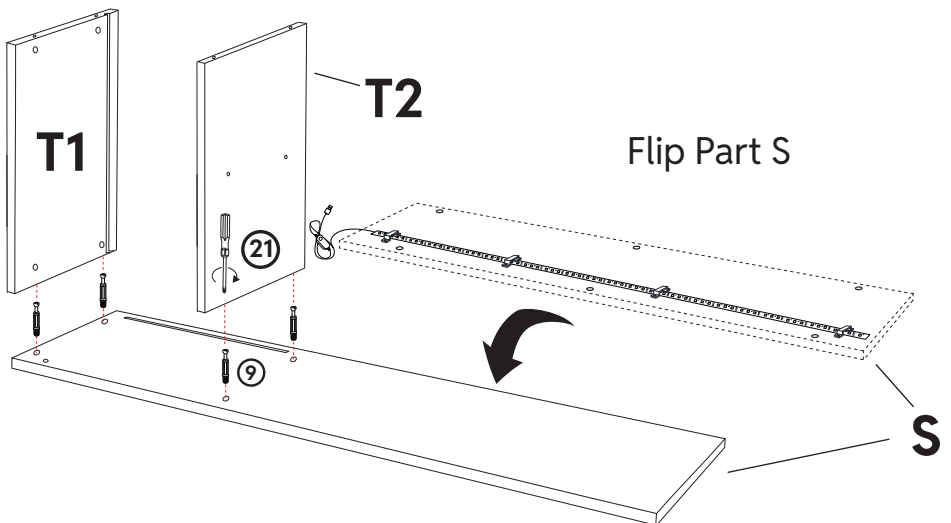
STEP 8

- | | | | | | | | | |
|---|---|----|----|--|----|----|--|----|
| 5 |  | x8 | 11 |  | x4 | 14 |  | x1 |
|---|---|----|----|--|----|----|--|----|

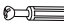


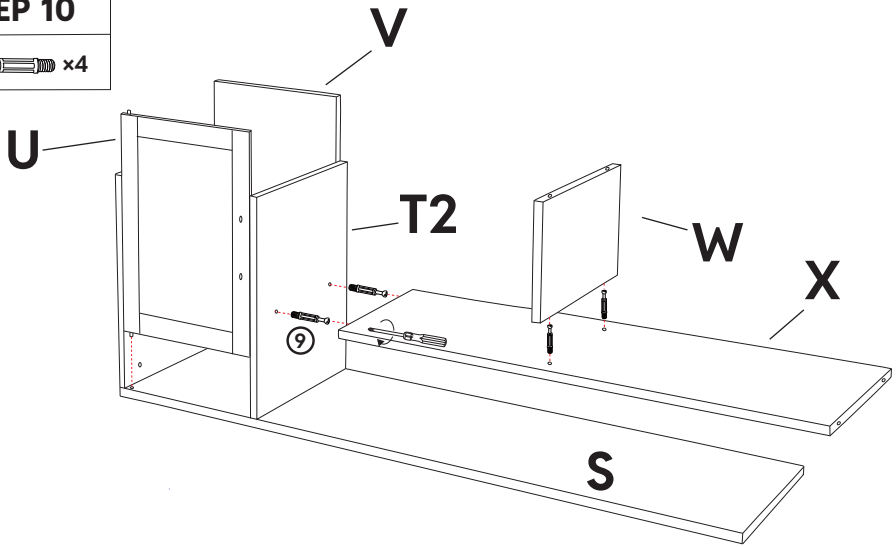
STEP 9

- | | | |
|---|--|----|
| 9 |  | x4 |
|---|--|----|



STEP 10

9		x4
---	--	----


**STEP 11**

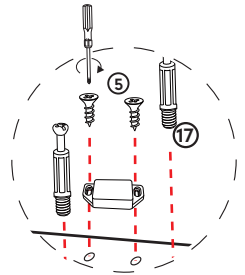
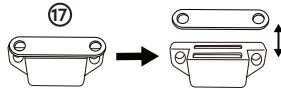
7		x2
---	---	----



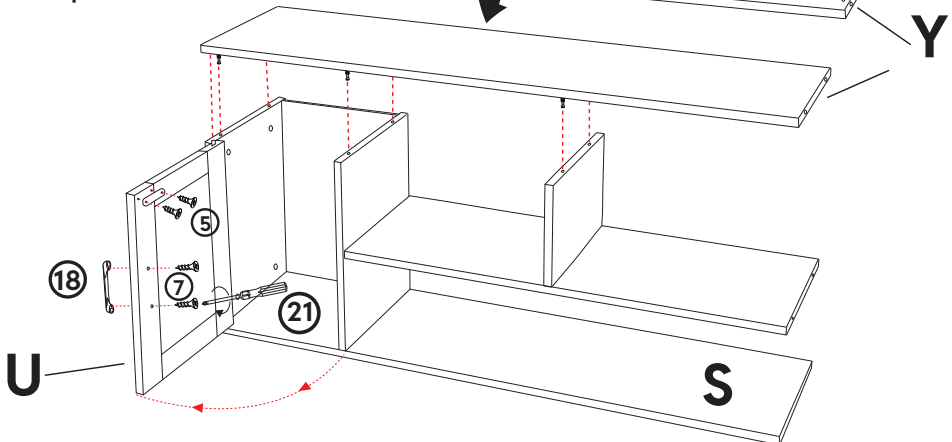
Remove the metal plate attached to Part 17.

5		x4
---	---	----

9		x6
---	---	----

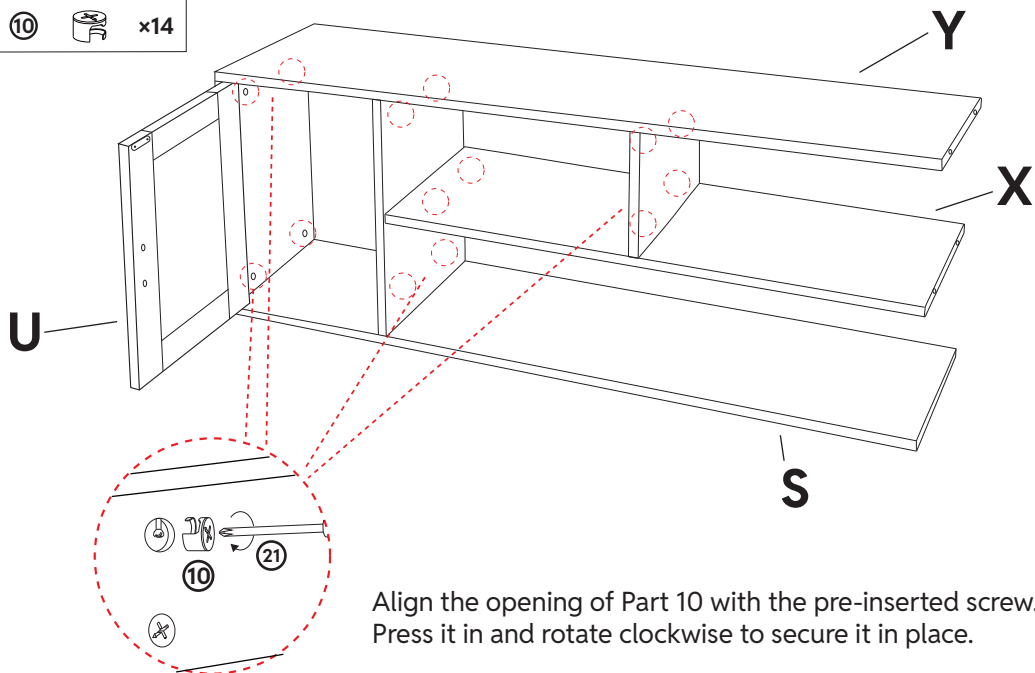


Flip Part Y




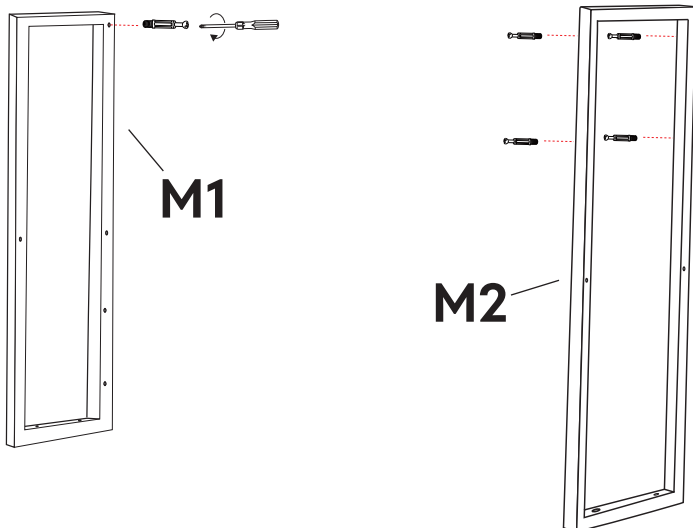
STEP 12

10  x14



STEP 13

9  x5

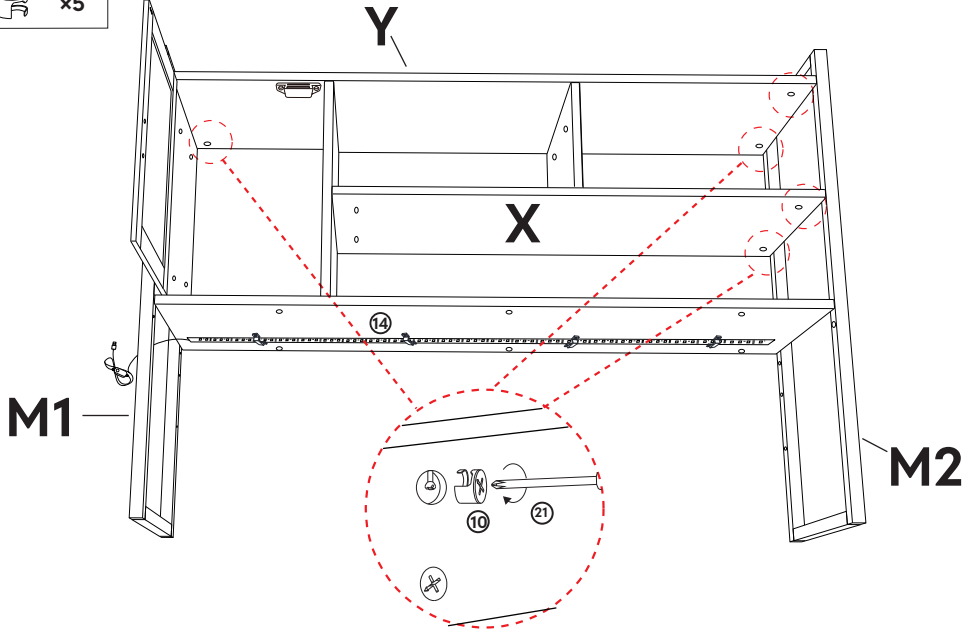


STEP 14

⑩  x5

! Do not fully tighten the screws yet.

Lay the assembled unit flat on the floor for further installation.

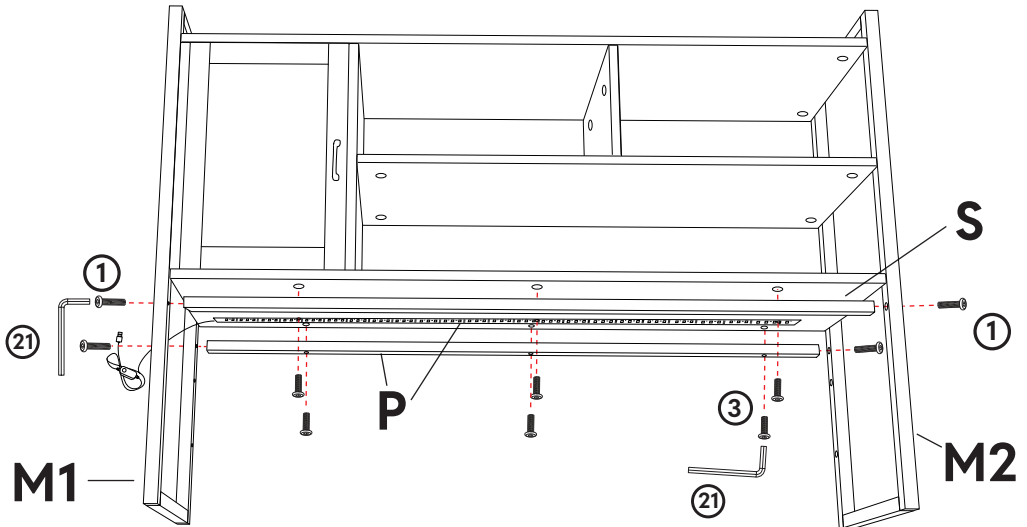


STEP 15

①  x4 ③  x6

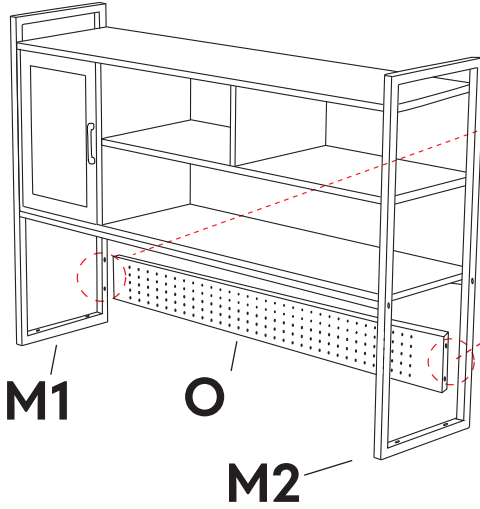
! Do not fully tighten the screws yet.

Lay the assembled unit flat on the floor for further installation.



STEP 16

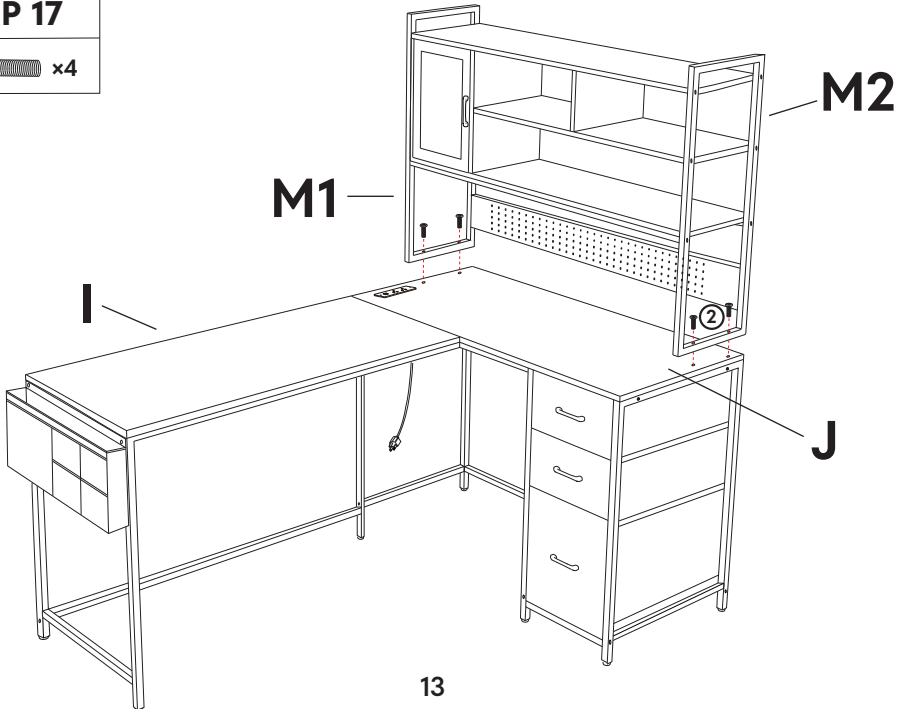
④  x4



 Do not fully tighten the screws yet.

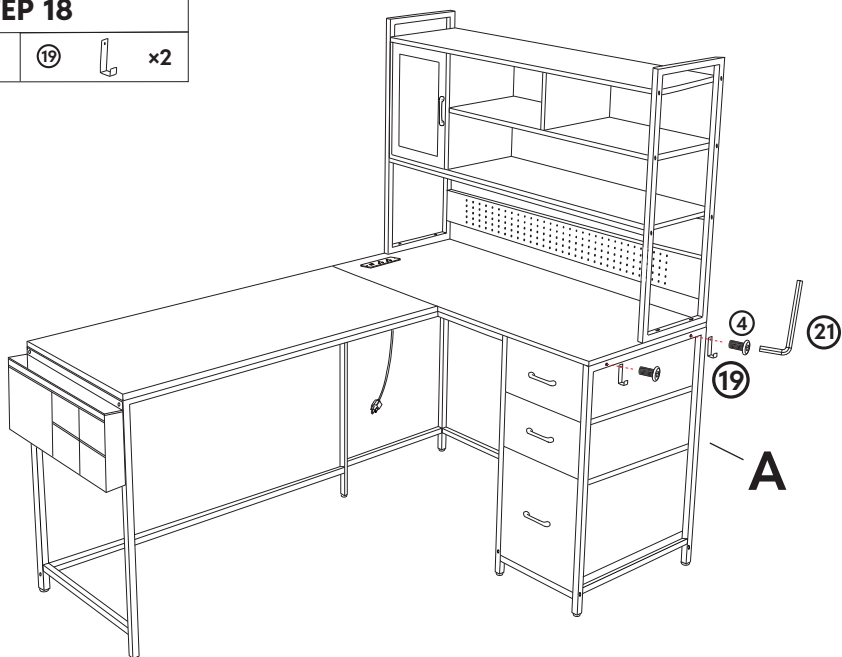
STEP 17

②  x4





STEP 18

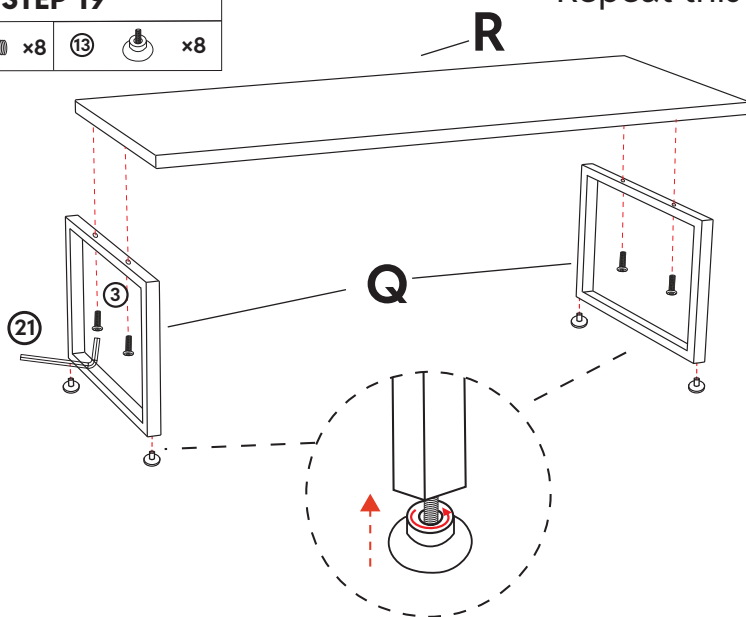
④  x2 ⑱  x2



STEP 19

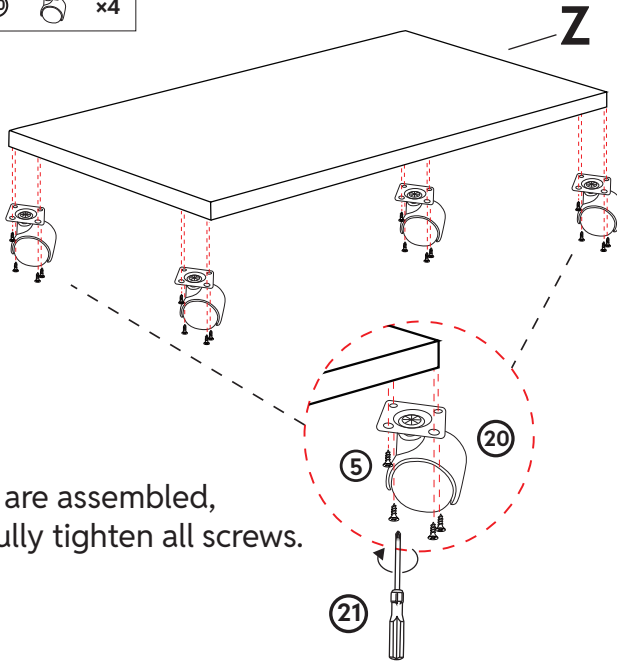
③  x8 ⑲  x8

Repeat this step twice.



STEP 20

⑤  x16 ⑳  x4



STEP 21

R

