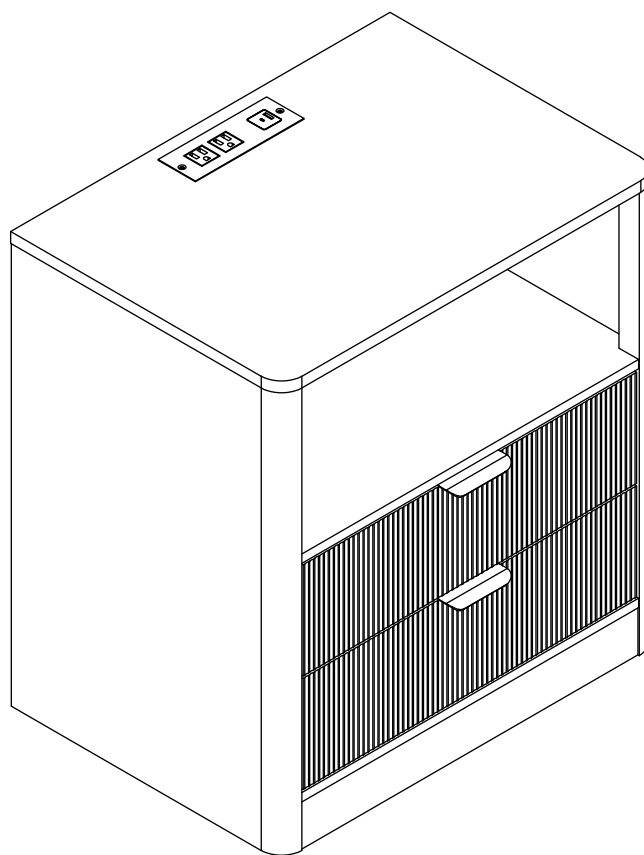
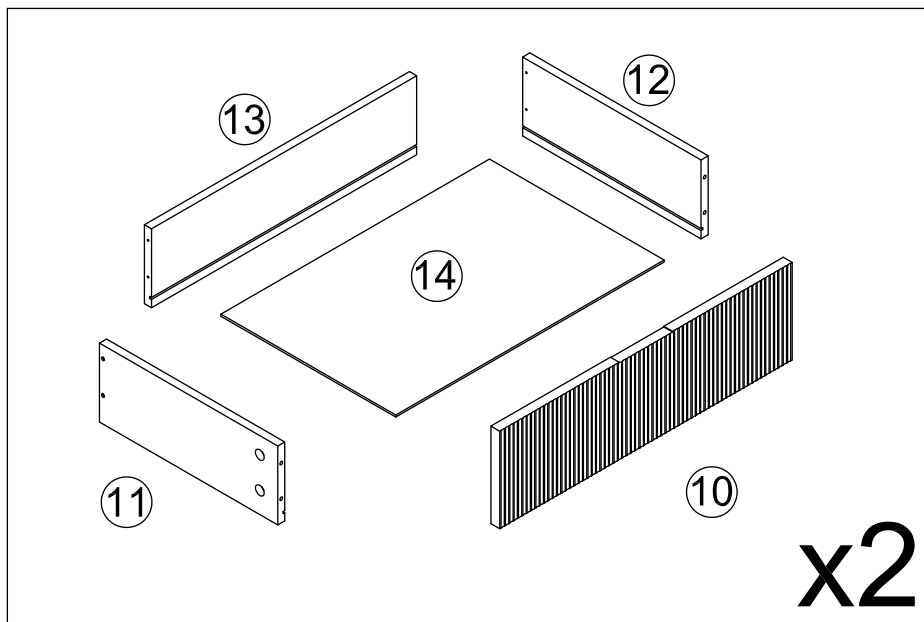
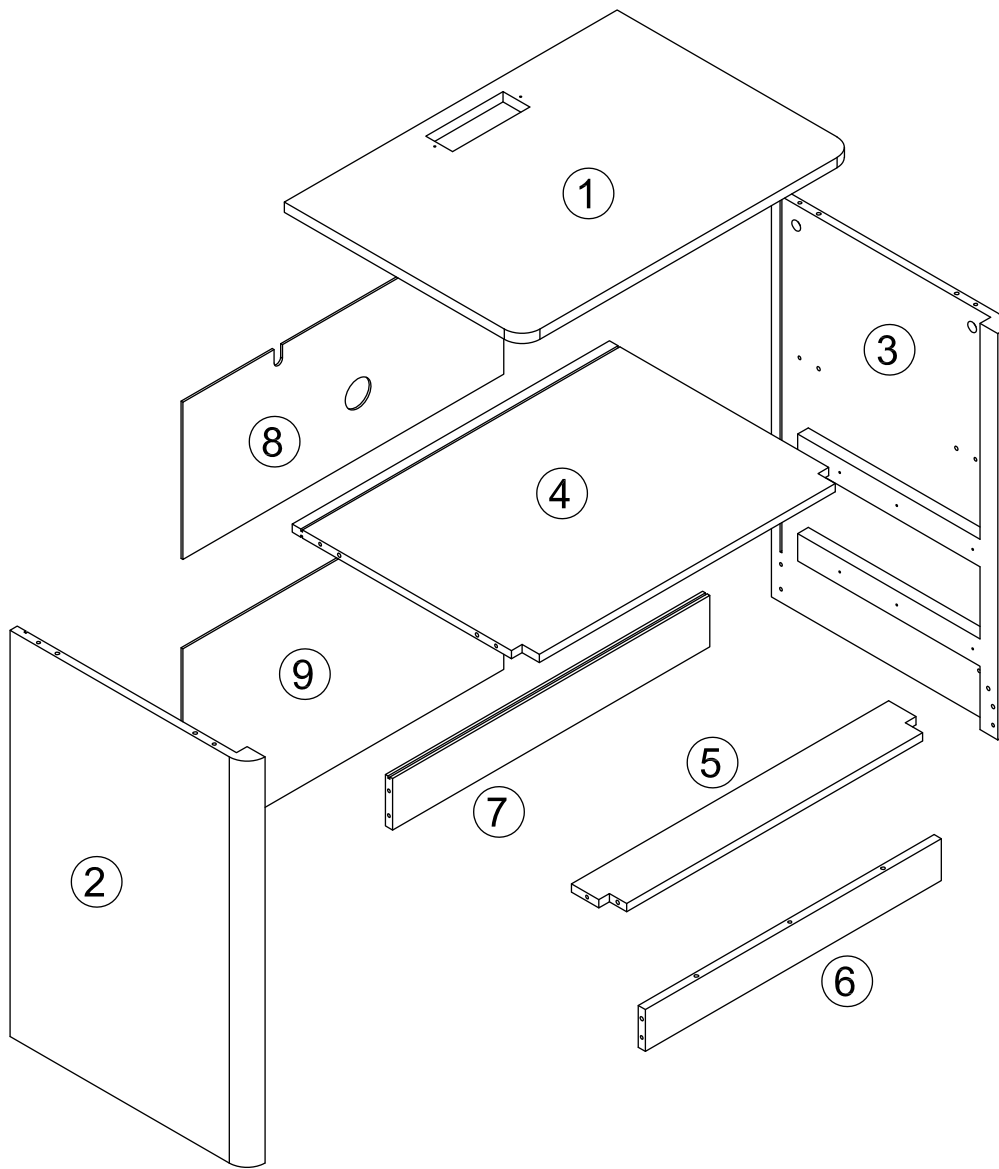


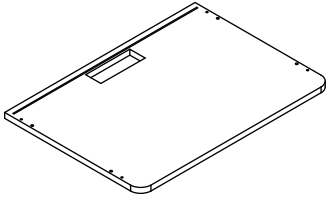
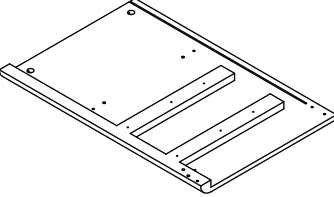
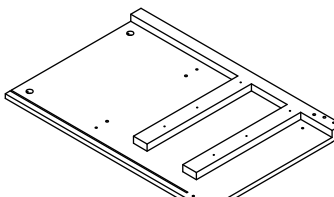
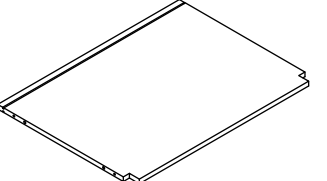
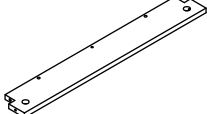
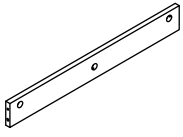
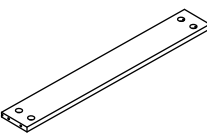
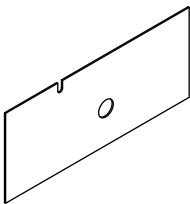
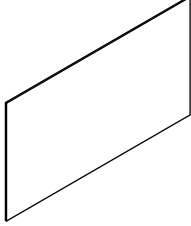
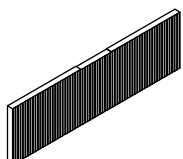
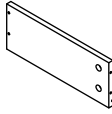
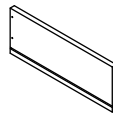
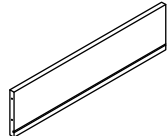
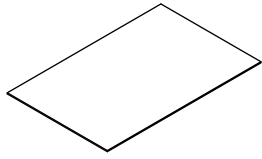
Installation Instruction



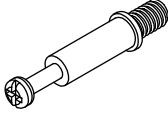
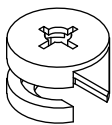

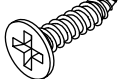
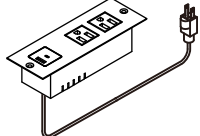

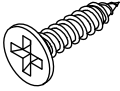
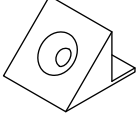

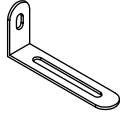
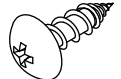
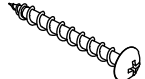
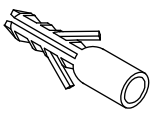
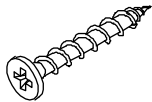
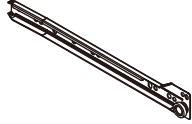
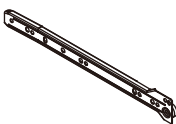

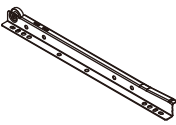
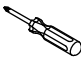
MADE IN CHINA



HARDWARE LIST

<p>①</p>  <p>1PCS</p>	<p>②</p>  <p>1PCS</p>	<p>③</p>  <p>1PCS</p>
<p>④</p>  <p>1PCS</p>	<p>⑤</p>  <p>1PCS</p>	<p>⑥</p>  <p>1PCS</p>
<p>⑦</p>  <p>1PCS</p>	<p>⑧</p>  <p>1PCS</p>	<p>⑨</p>  <p>1PCS</p>
<p>⑩</p>  <p>2PCS</p>	<p>⑪</p>  <p>2PCS</p>	<p>⑫</p>  <p>2PCS</p>
<p>⑬</p>  <p>2PCS</p>	<p>⑭</p>  <p>2PCS</p>	<p>2.</p>

PARTS LIST

<p>A</p>  <p>M6x35mm 25PCS +1(SPARE)</p>	<p>B</p>  <p>25PCS +1(SPARE)</p>	<p>C</p>  <p>M6x30mm 14PCS +1(SPARE)</p>	<p>D</p>  <p>M3.5x12mm 26PCS +1(SPARE)</p>
<p>E</p>  <p>1PCS</p>	<p>F</p>  <p>2PCS</p>	<p>G</p>  <p>M3x10mm 4PCS</p>	<p>H</p>  <p>8PCS</p>
<p>I</p>  <p>3x14mm 8PCS</p>	<p>J</p>  <p>1PCS</p>	<p>K</p>  <p>4x12mm 1PCS</p>	<p>L</p>  <p>M4x35mm 1PCS</p>
<p>M</p>  <p>1PCS</p>	<p>N</p>  <p>4x30mm 8PCS</p>	<p>CL</p>  <p>2PCS</p>	<p>CR</p>  <p>2PCS</p>
<p>DL</p>  <p>2PCS</p>	<p>DR</p>  <p>2PCS</p>	<p>O</p>  <p>1PCS</p>	

INSTALLION STEPS

1

Ax12PCS



CLx2PCS



CRx2PCS



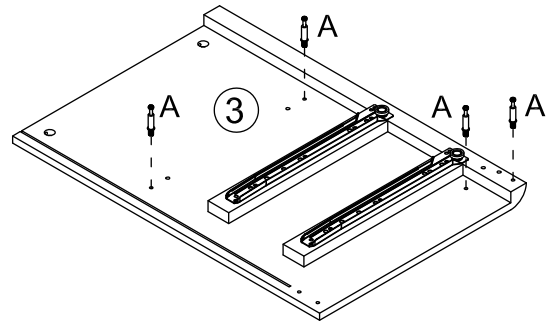
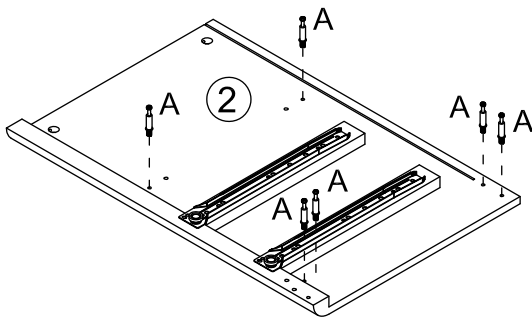
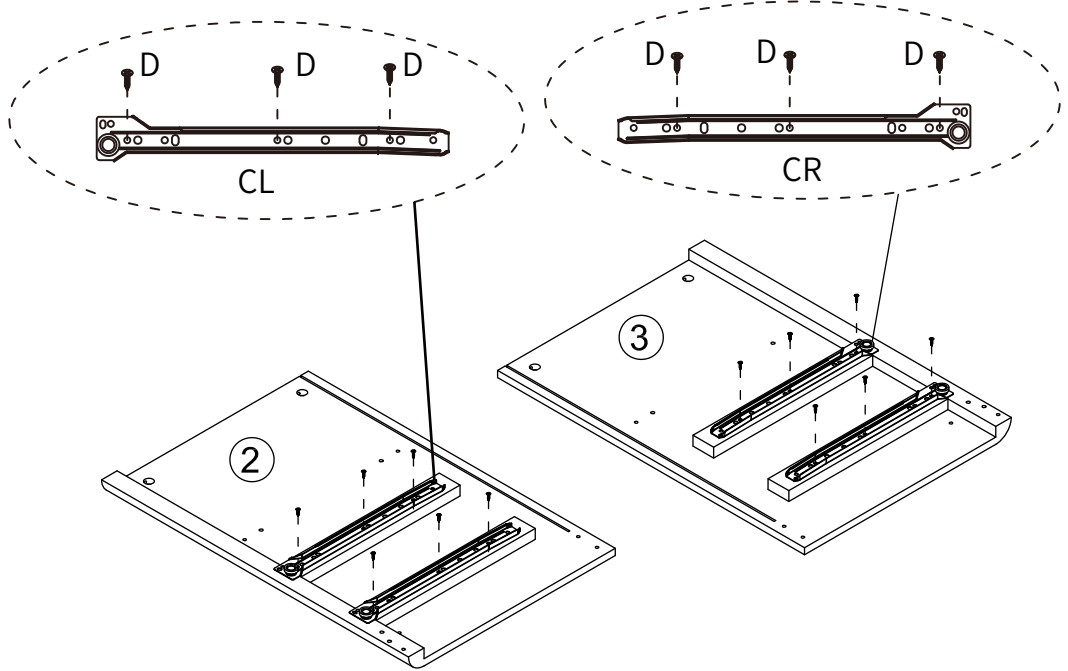
Dx12PCS



3.5X12mm

3 x1PCS

2 x1PCS



2

Bx1PCS



Cx2PCS

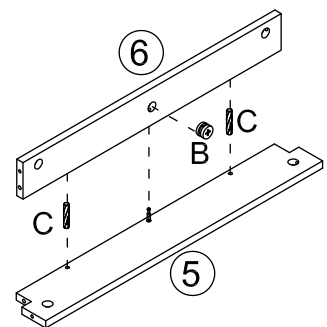
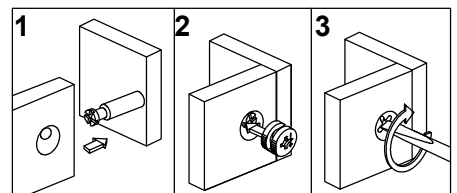
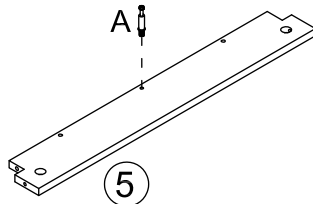
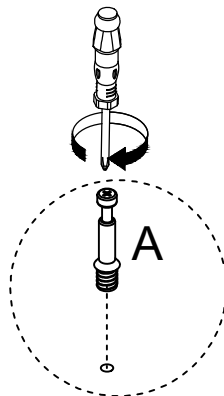
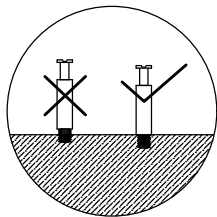


Ax1PCS



6 x1PCS

5 x1PCS



4.

INSTALLION STEPS

3

Bx2PCS

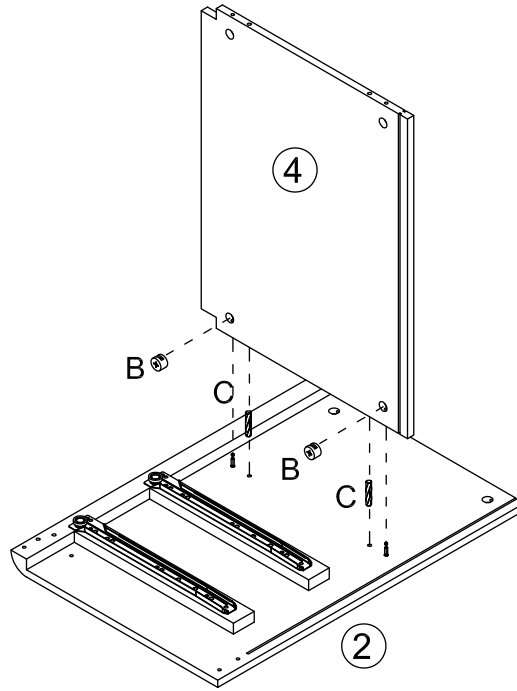


Cx2PCS



2 x1PCS

4 x1PCS



4

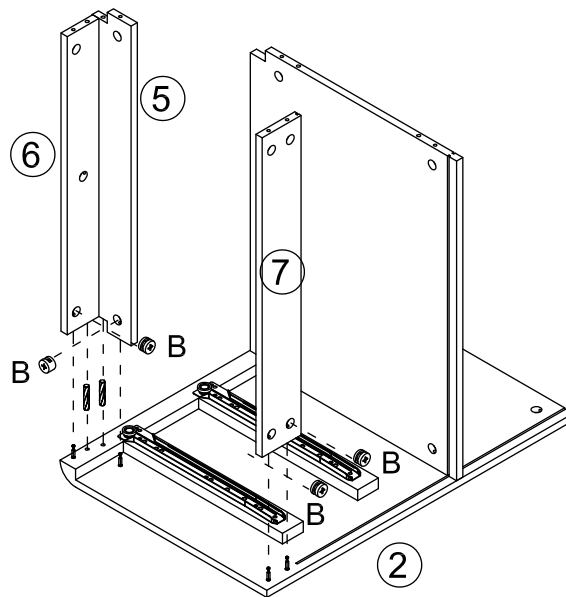
Bx4PCS



Cx2PCS



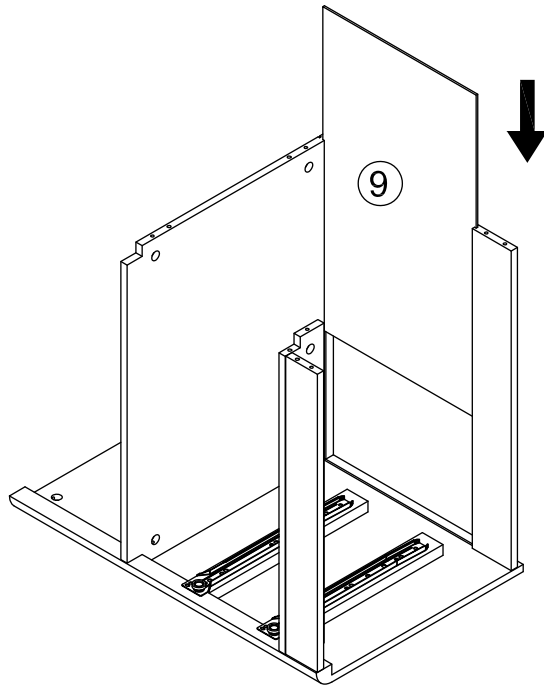
7 x1PCS



INSTALLION STEPS

5

9)x1PCS



6

Bx6PCS

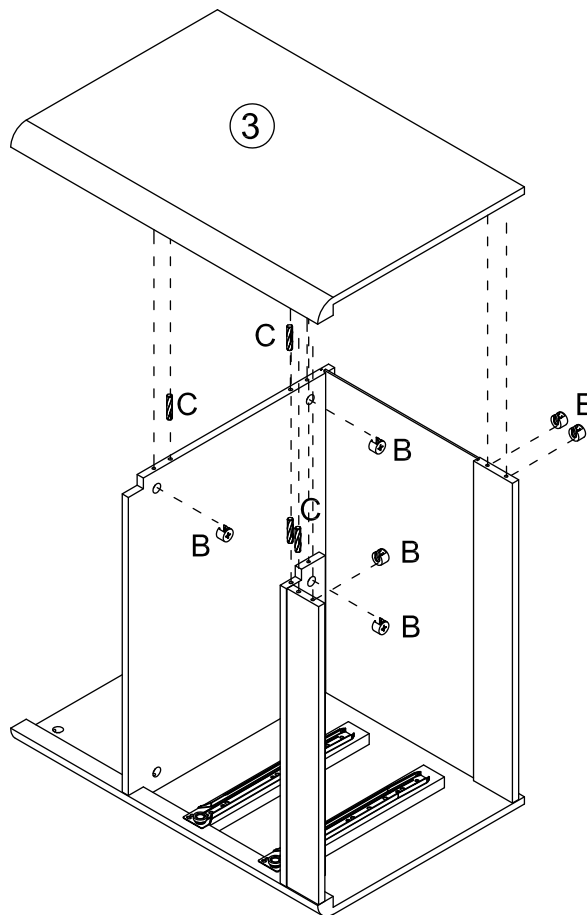


Cx4PCS



Nx4PCS

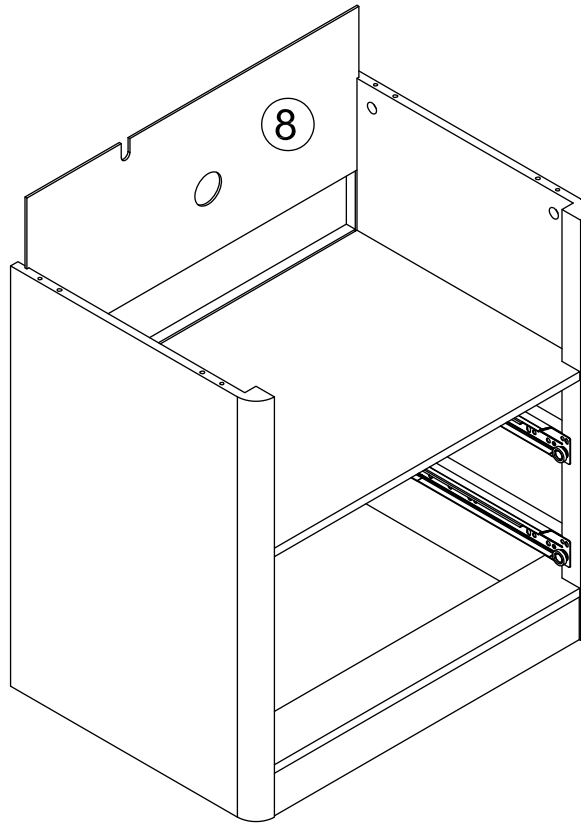
3)x1PCS



INSTALLION STEPS

7

8 x1PCS



8

Kx1PCS



Jx1PCS

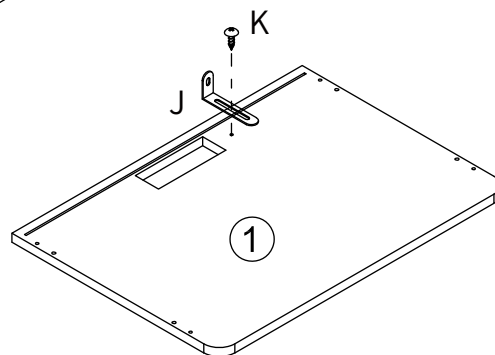
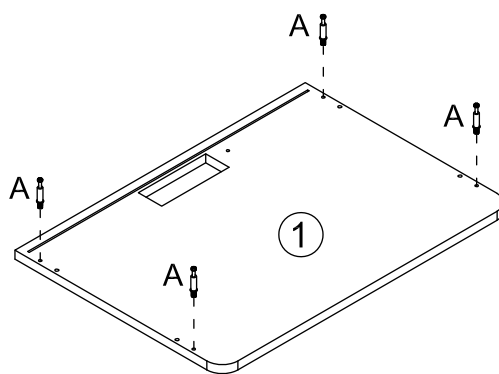


4X12mm

Ax4PCS



1 x1PCS



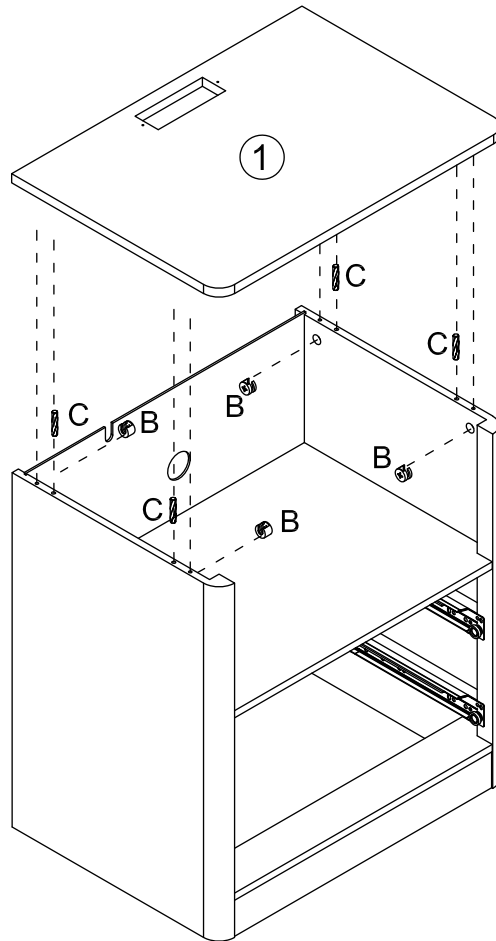
INSTALLION STEPS

9

Bx4PCS



Cx4PCS



10

Ix8PCS



3X14mm

Hx8PCS

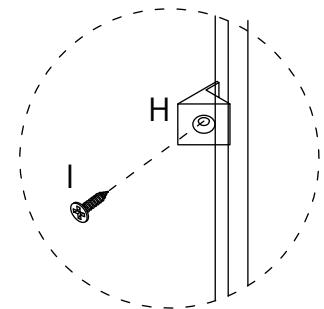
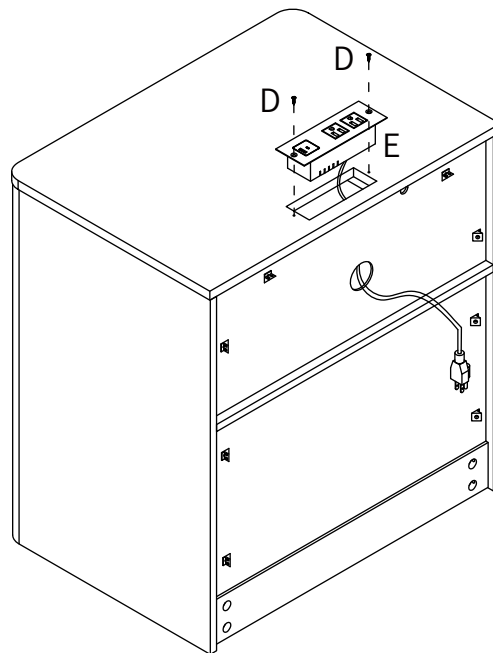


Dx2PCS



3X14mm

Ex1PCS



INSTALLION STEPS

11

x2

DLx2PCS



Dx12PCS



3.5X12mm

DRx2PCS



Bx8PCS



Ax8PCS



Nx8PCS



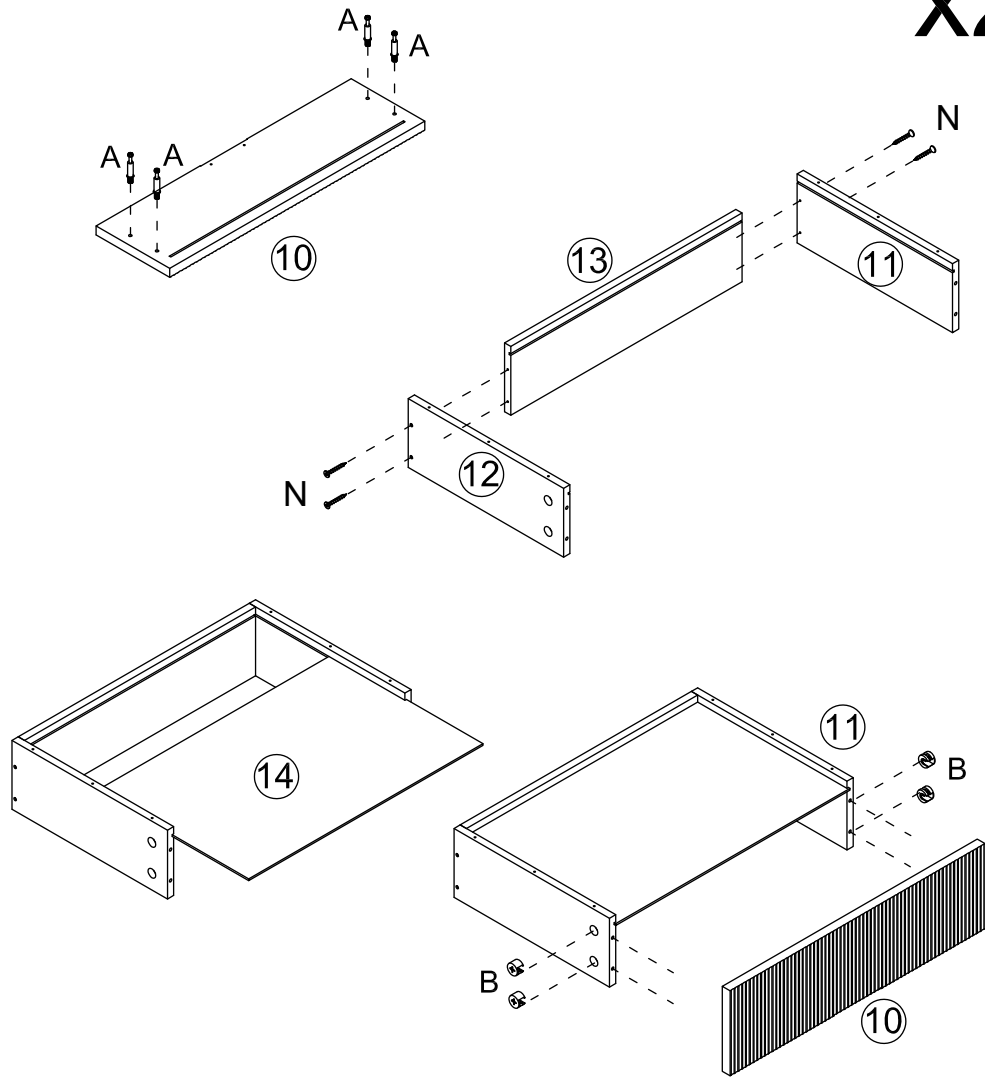
Fx2PCS



Gx4PCS



3X10mm



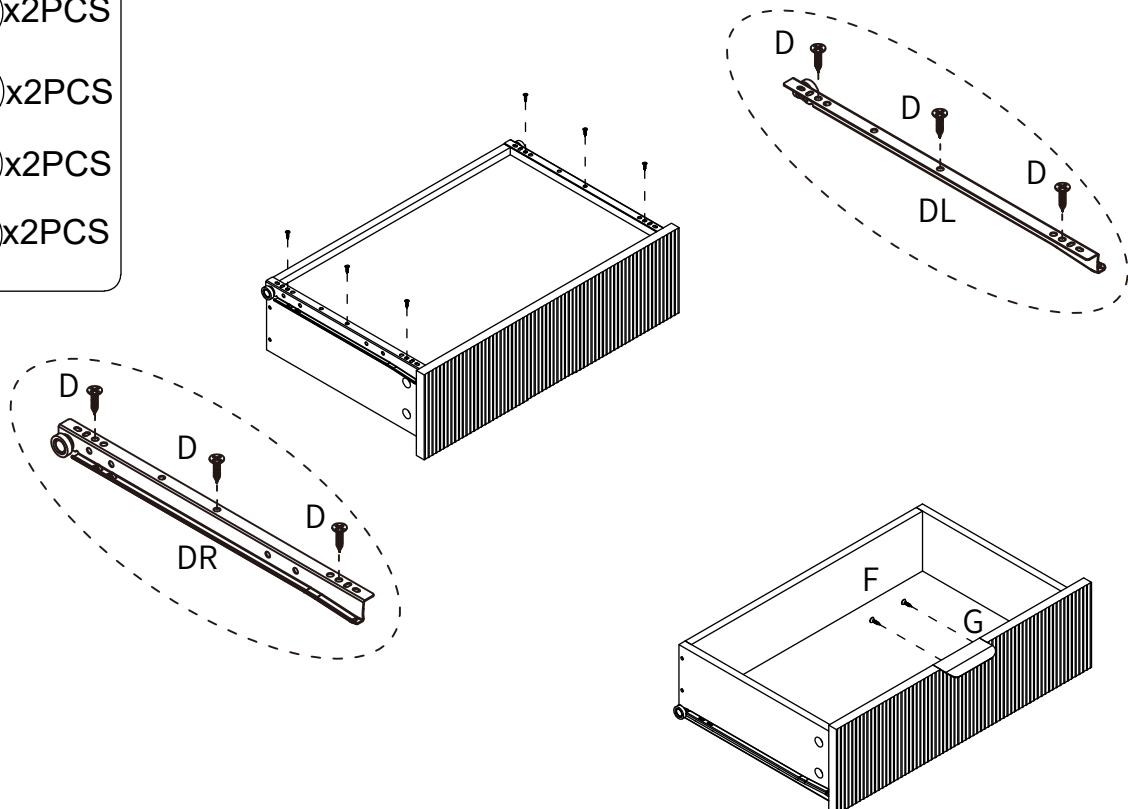
(11)x2PCS

(10)x2PCS

(12)x2PCS

(13)x2PCS

(14)x2PCS



INSTALLION STEPS

12

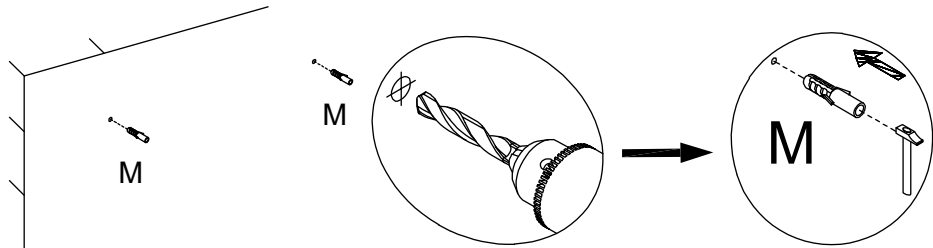
Lx1PCS



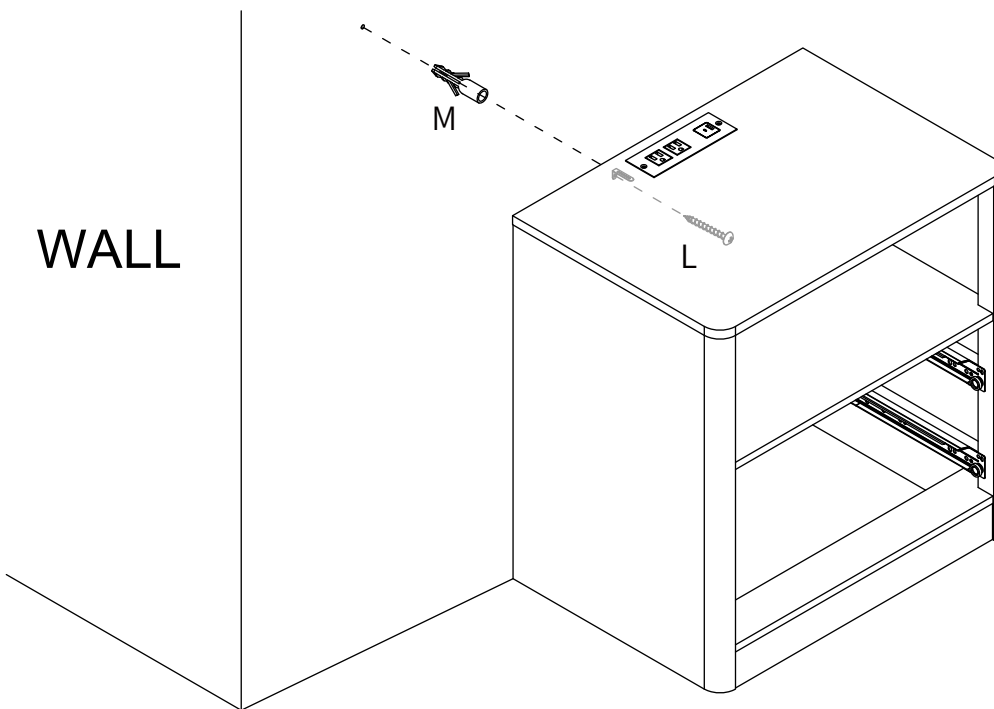
Mx1PCS



1. Place the assembled Cabinet in the desired position.
Mark where the anti-falling device installation meet the wall.
Remove the Cabinet.
2. Drill holes in the marked position.
3. Insert the Plastic Plugs (M).



WALL



13

