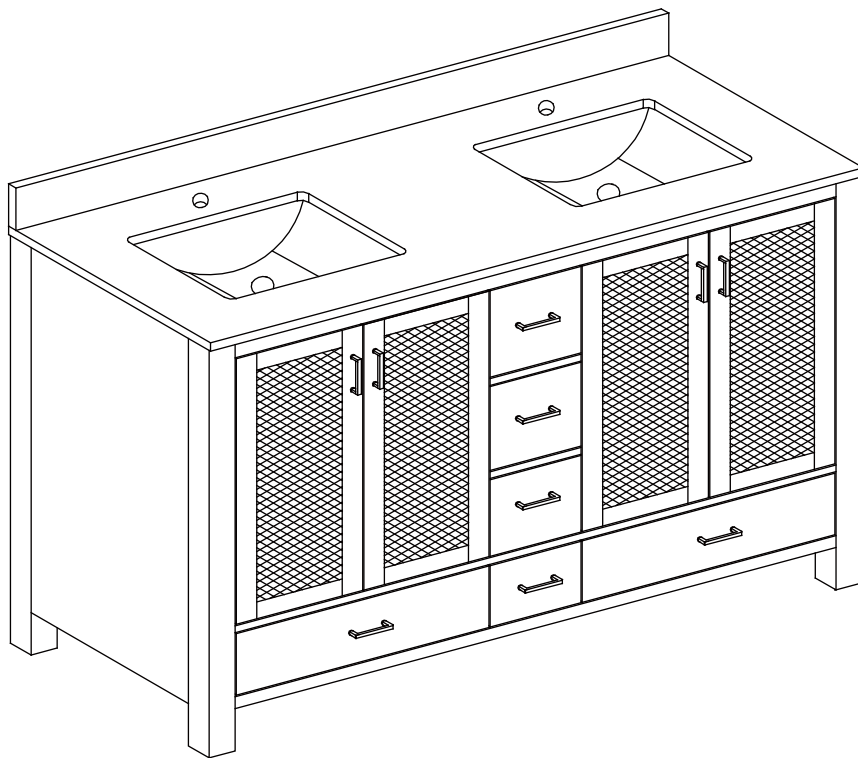


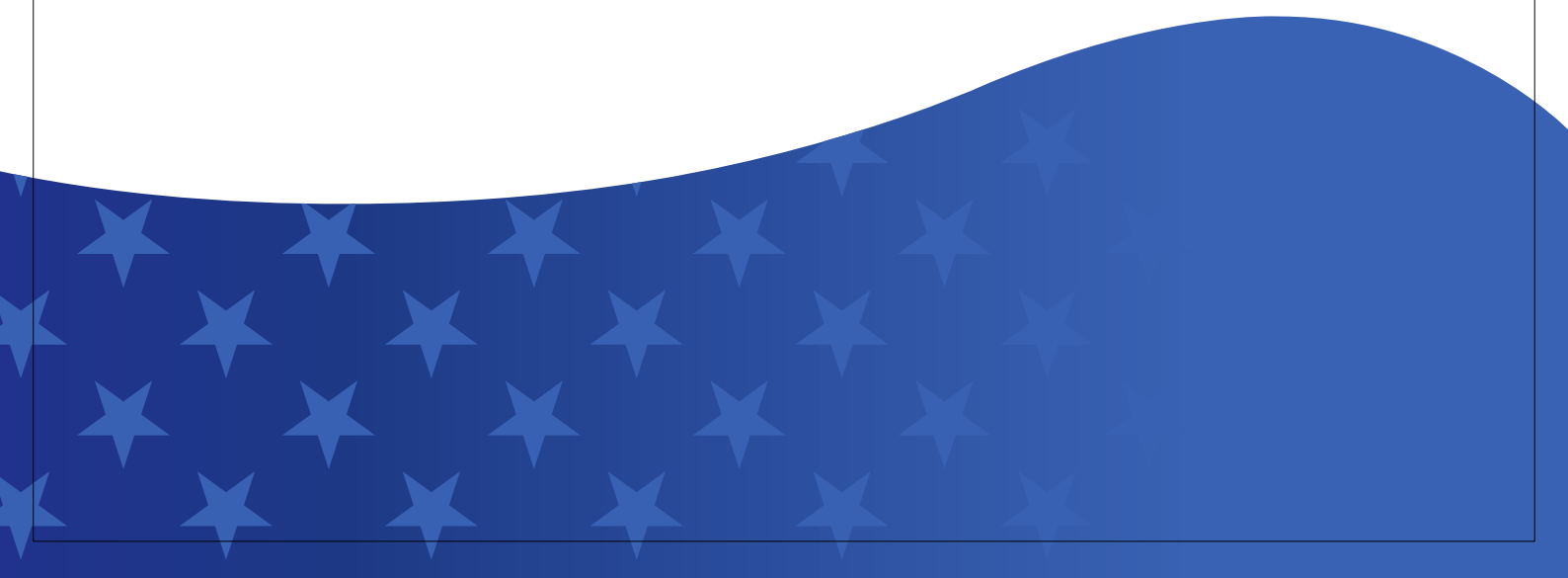
Installation Manual



Freestanding Bathroom Vanity

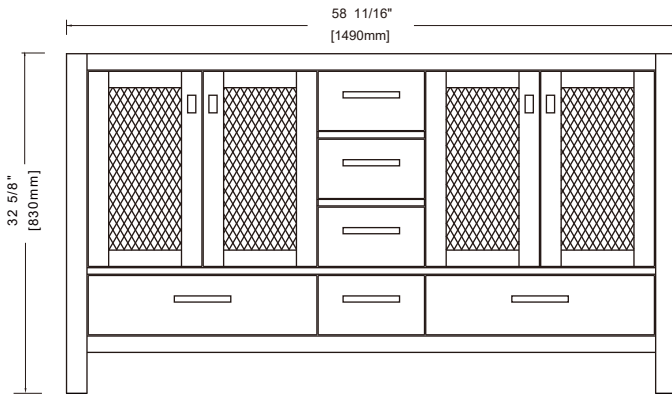
INDEX

1. Dimension	P01-02
2. Installation Preparation	P03
3. Installation Instruction	P04-05

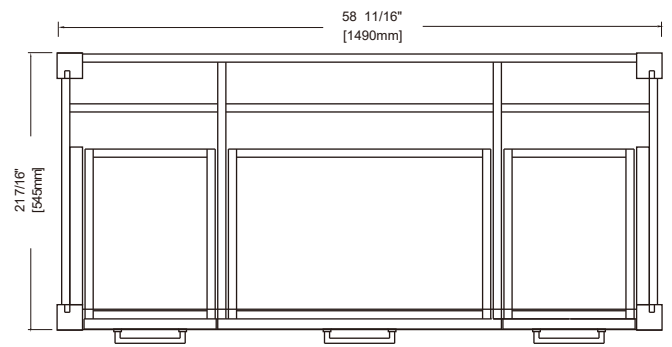


60"

58-11/16" X 21-1/2" X 32-5/8"



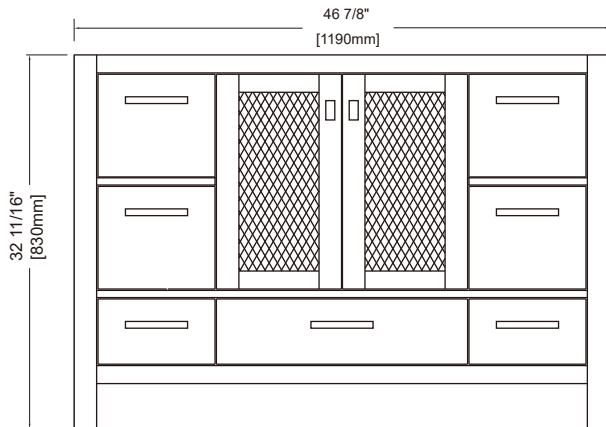
FRONT VIEW



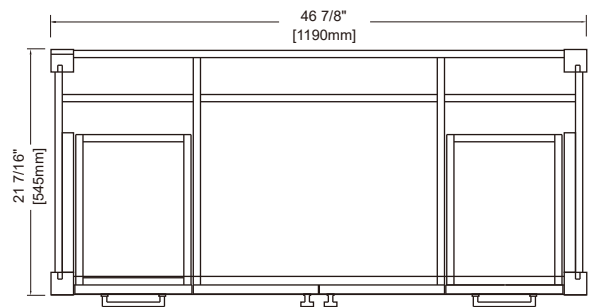
PLAN VIEW

48"

46-7/8" X 21-1/2" X 32-5/8"



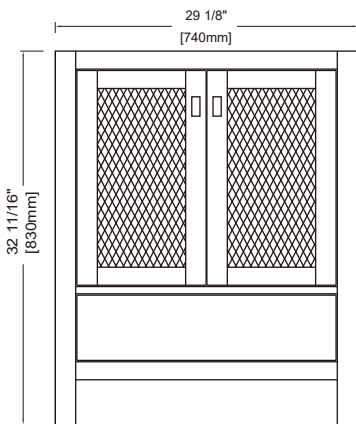
FRONT VIEW



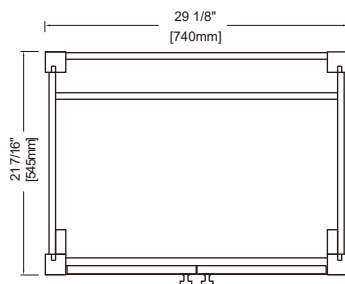
PLAN VIEW

30"

29-1/8" X 21-1/2" X 32-5/8"

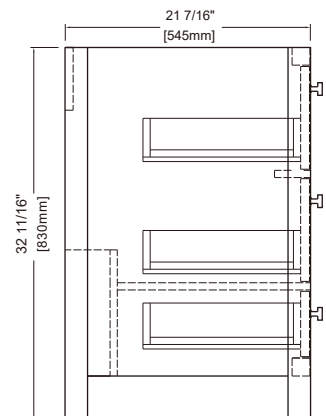


FRONT VIEW



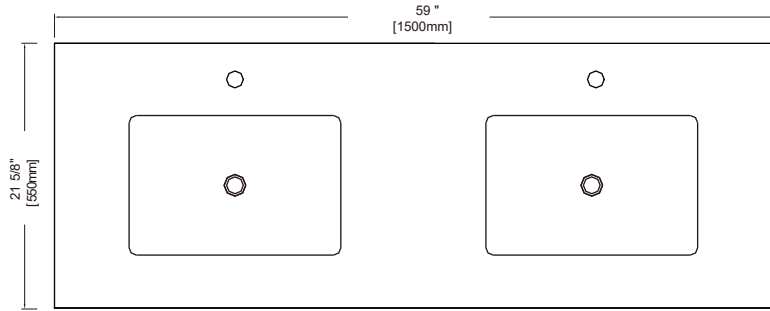
PLAN VIEW

SIDE VIEW



60"

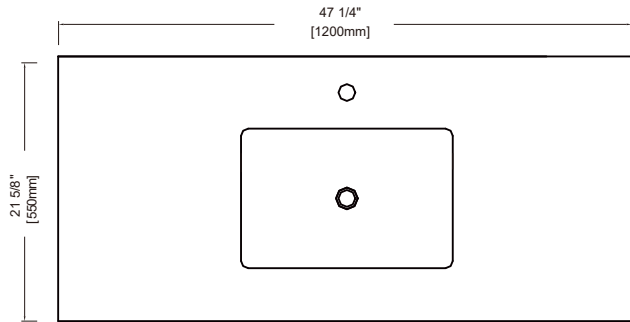
59" X 21-5/8"



COUNTERTOP PLAN VIEW

48"

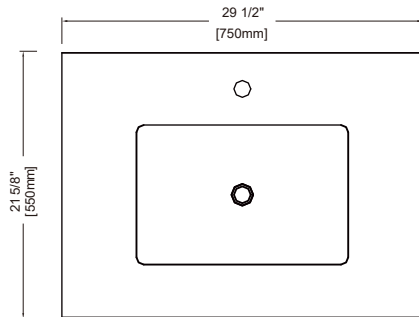
47-1/4" X 21-5/8"




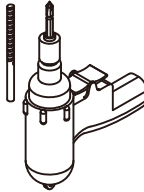

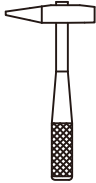

COUNTERTOP PLAN VIEW

30"

29-1/2" X 21-5/8"

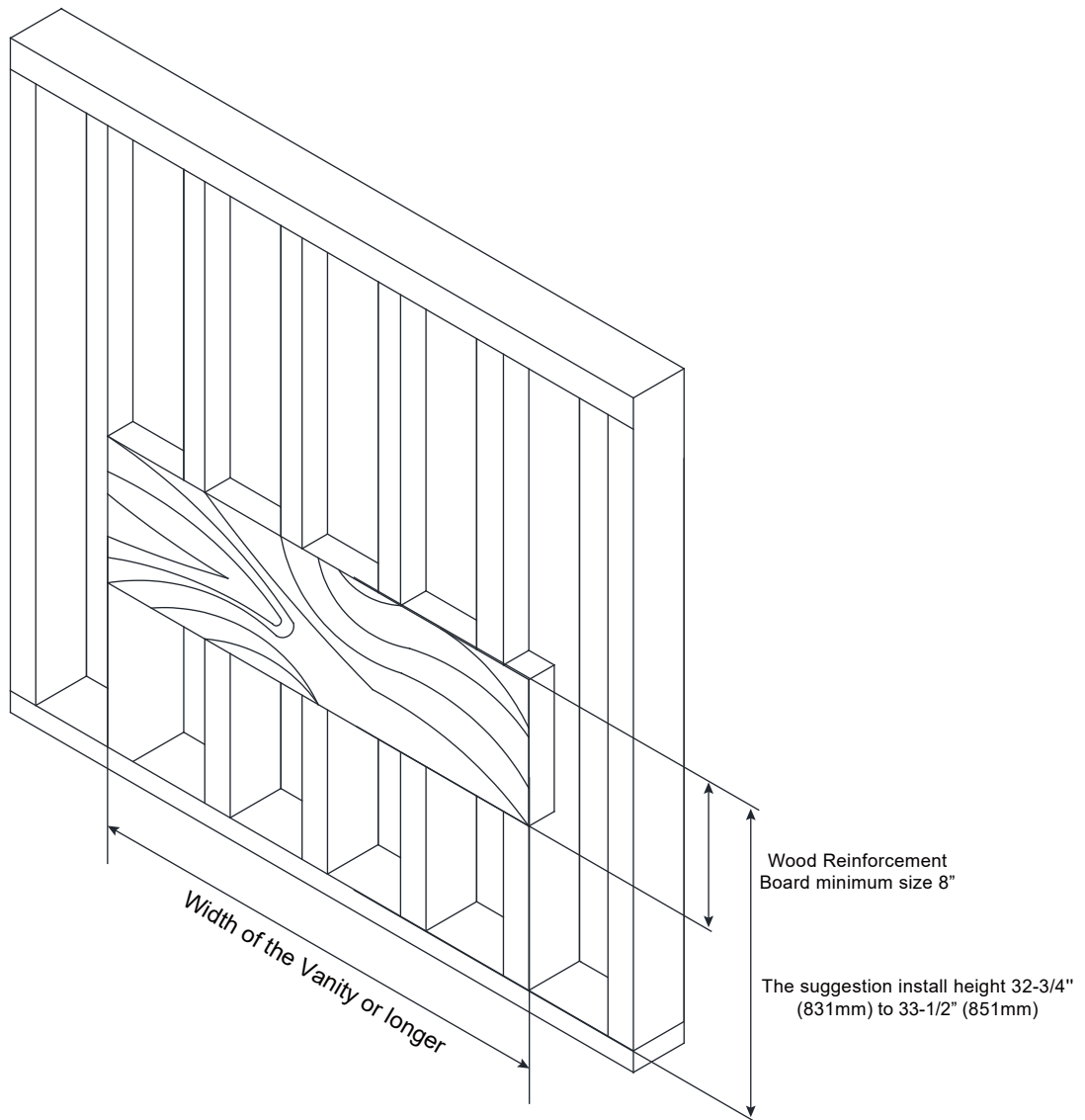


COUNTERTOP PLAN VIEW

Hardware				Tools (not includes)		
No.		Draw	Qty			
A	Anchors		10pcs			
B	Lag Bolt		10pcs			

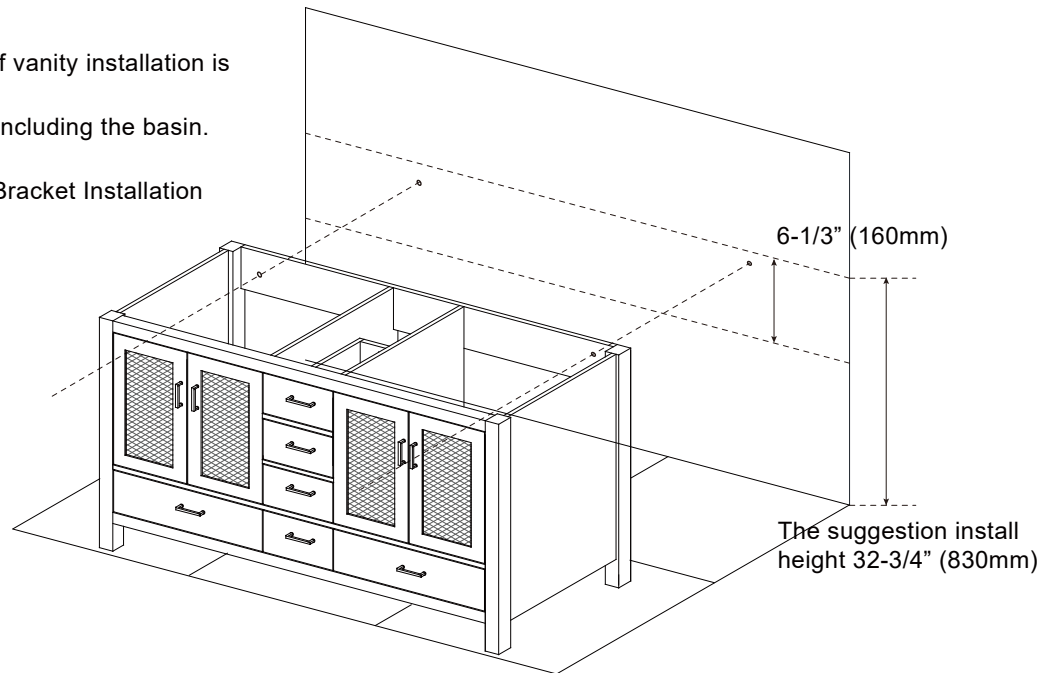
Wall Preparation

The typical dimensions shown will result in vanity cabinet height of 32-3/4" (831mm). Depending on the sinks selected, the total height will vary from 33-1/2" (850mm) to 35-1/4" (895mm). If an alternate height is desired, adjust the rough-in and backing material heights using the dimensions provided.

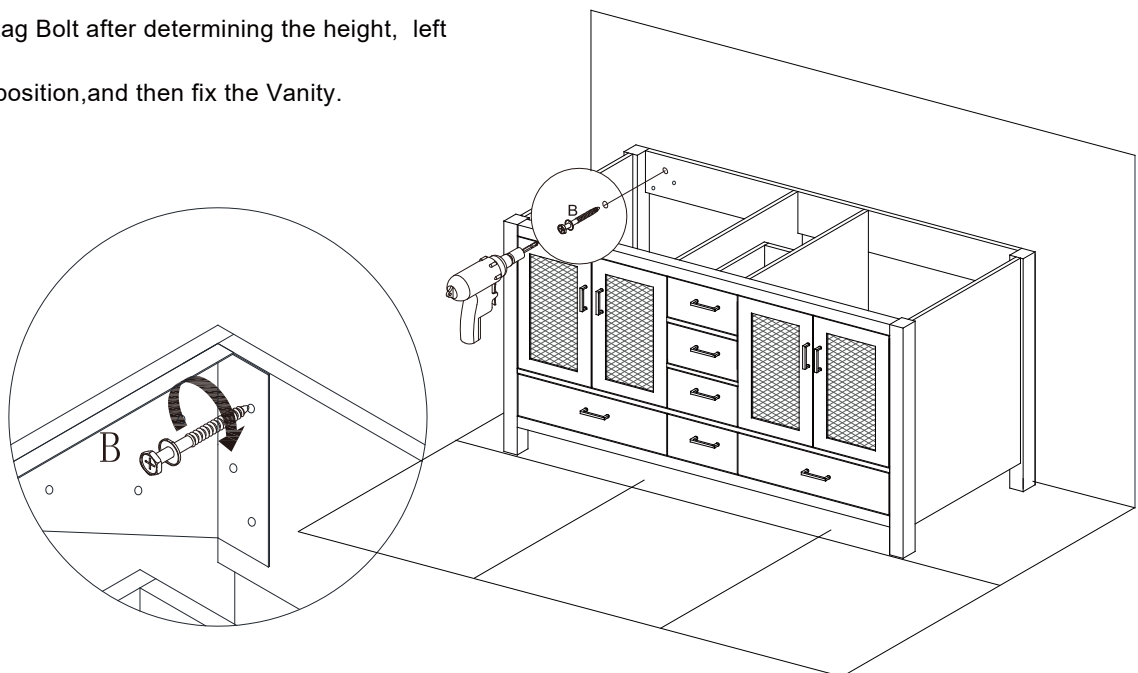


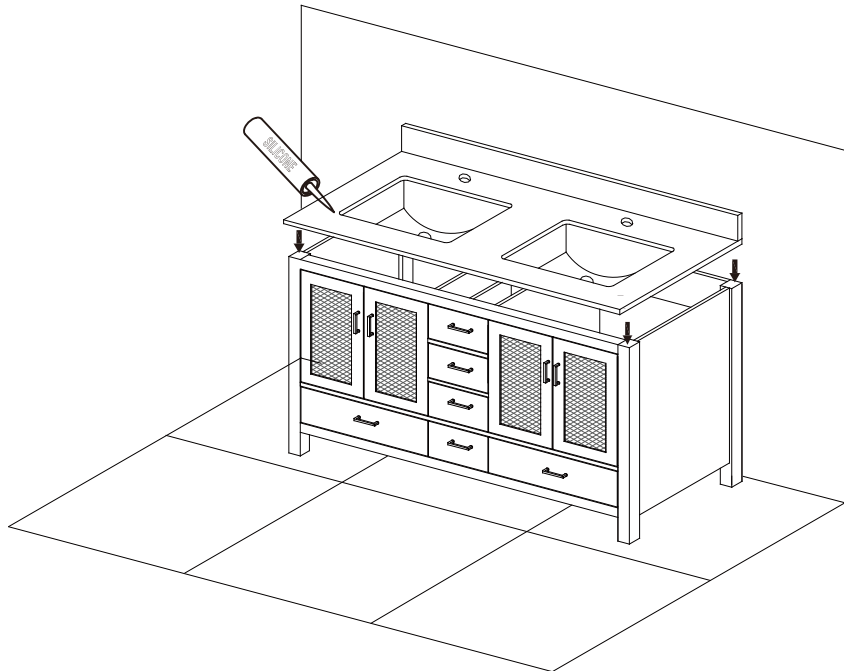
STEP 1. Cabinet positioning and installation

- The suggested height of vanity installation is 32-3/4" (830mm) - not including the basin.
- The height of Leveling Bracket Installation is 26-1/2" (671mm).

**STEP 2.** Fixed Cabinet

Install Lag Bolt after determining the height, left & right position, and then fix the Vanity.



STEP 3.**Install sink top with Silicone****STEP 4.****Finish**