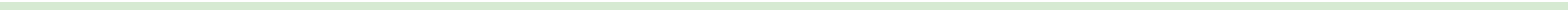
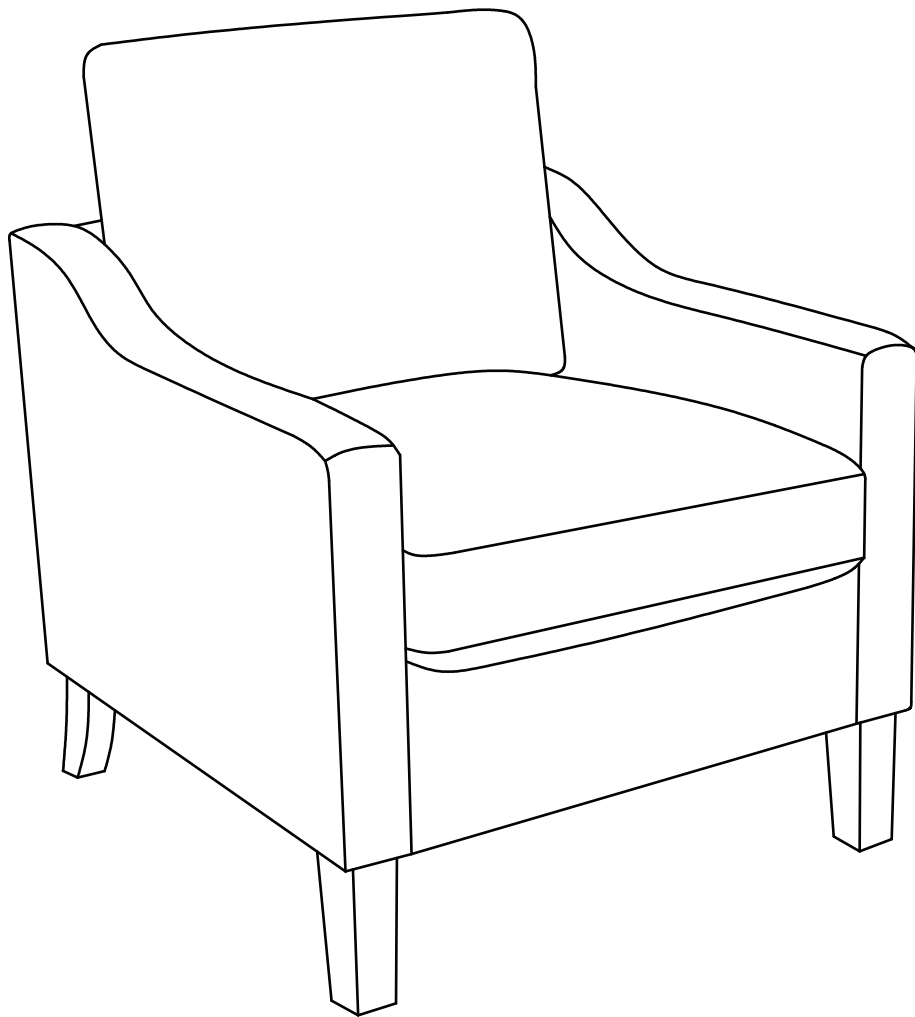


ASSEMBLY INSTRUCTIONS



WARNING



Please read the instructions carefully and follow the assembly steps.

Do not tighten bolts or screws completely until all hardware is lined up and inserted into the holes.

Do not over-tighten screws and bolts to avoid stripping the hardware or cracking the item.

Assemble your item on a flat, carpeted area, with plenty of space to work. This will prevent damage and scratches to your floors or the item while you're assembling the product.

Keep all components and packaging out of reach of children or animals to avoid risk of choking or suffocation.

ASSEMBLY PARTS AND TOOL

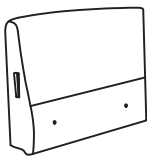


BEFORE YOU GET STARTED. A FEW POINTERS:



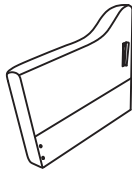
Please use the included wrench instead of an ELECTRIC HAND DRILL in case of damage to the chair leg.

1



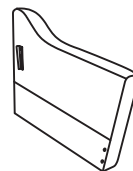
Seat Back *1

2



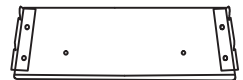
Left Armrest *1

3



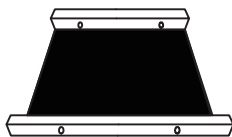
Right Armrest *1

4



Seat Panel*1

5



Seat Board*1

6



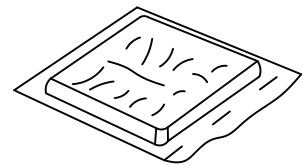
Back Leg *2

7



Front Leg *2

8 9



Pillow *1

Seat Cushion *1

A



Bolt *8

B



Flat Washer *8

C

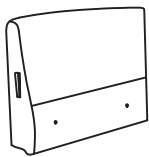


Wrench *1

ASSEMBLY INSTRUCTIONS

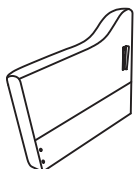
STEP 1:

1



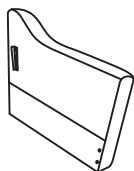
Seat Back *1

2

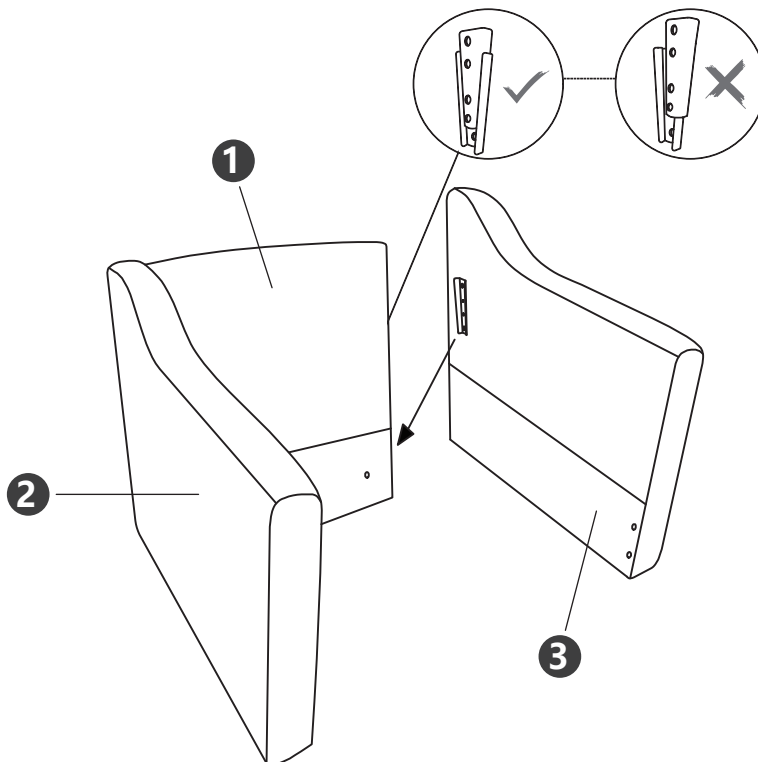


Left Armrest *1

3



Right Armrest *1



STEP 2:

4



Seat Panel*1

A



Bolt *8

B

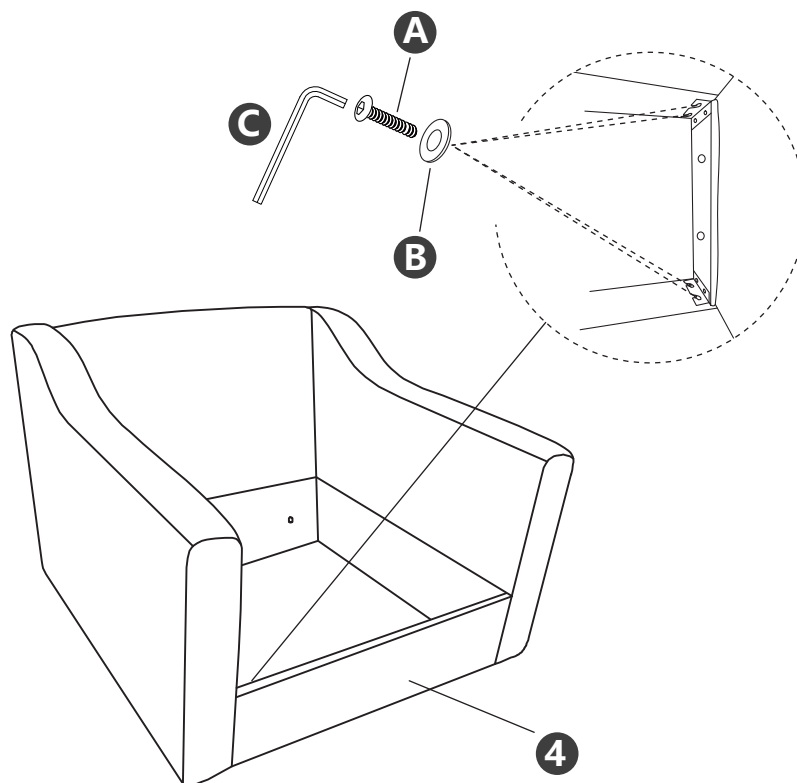


Flat Washer *8

C



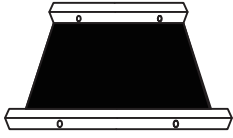
Wrench *1



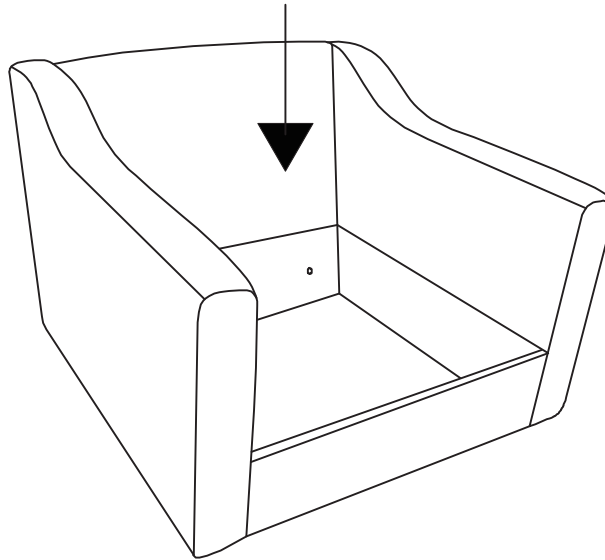
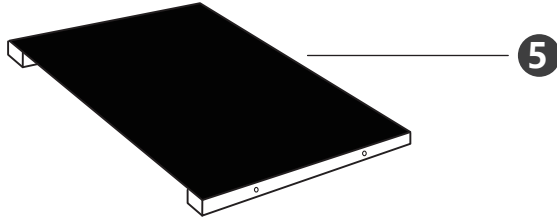
ASSEMBLY INSTRUCTIONS

STEP 3:

5



Seat Board*1



STEP 4:

A



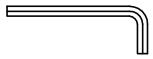
Bolt *8

B

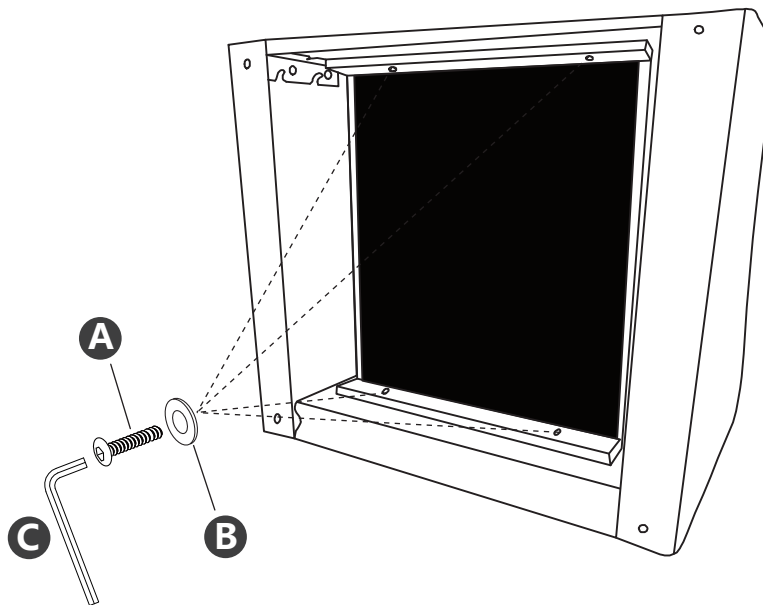


Flat Washer *8

C



Wrench *1



ASSEMBLY INSTRUCTIONS

STEP 5:

6

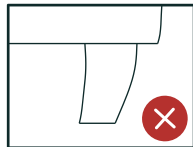
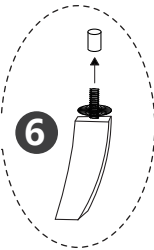
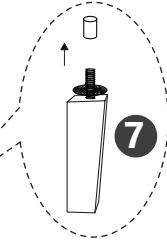
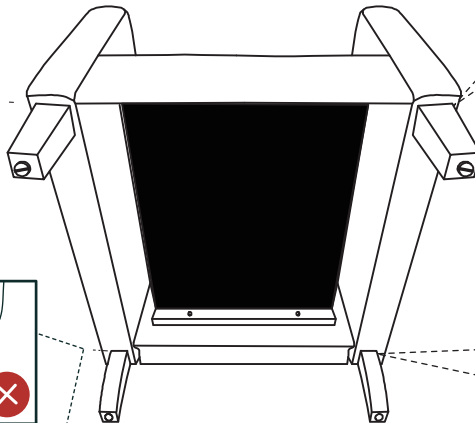


Back Leg *2

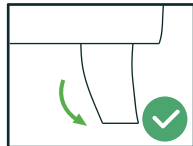
7



Front Leg *2



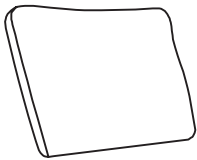
Incorrect Side View
Back legs curve forward



Correct Side View
Back legs curve towards
the back

STEP 6:

8

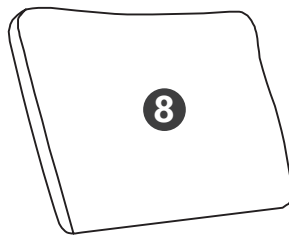
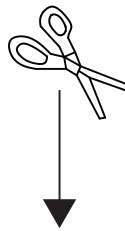
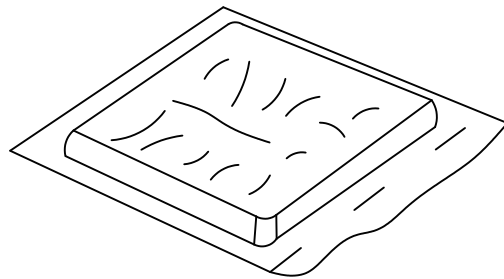


Pillow *1

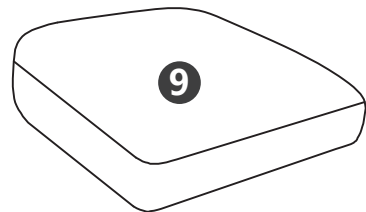
9



Seat Cushion *1



Pillow *1

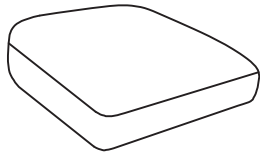


Seat Cushion *1

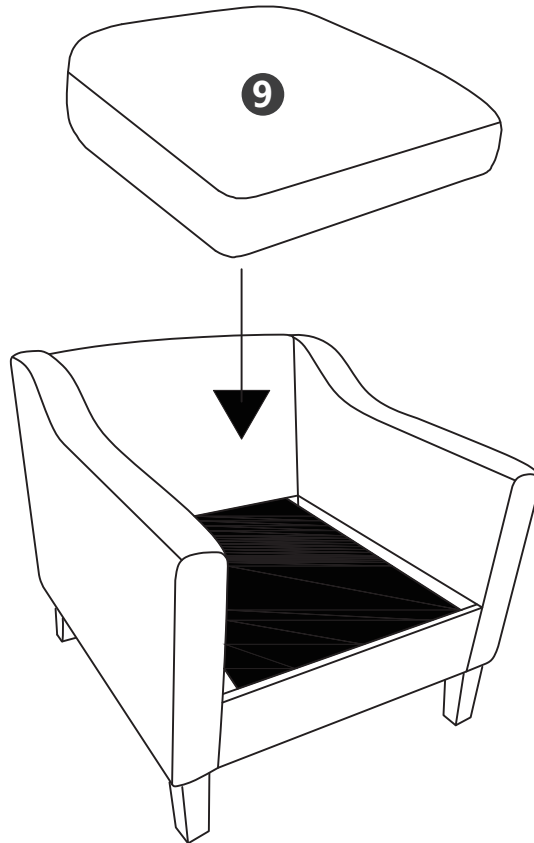
ASSEMBLY INSTRUCTIONS

STEP 7:

9

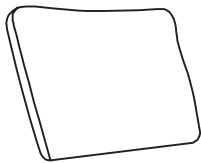


Seat Cushion *1

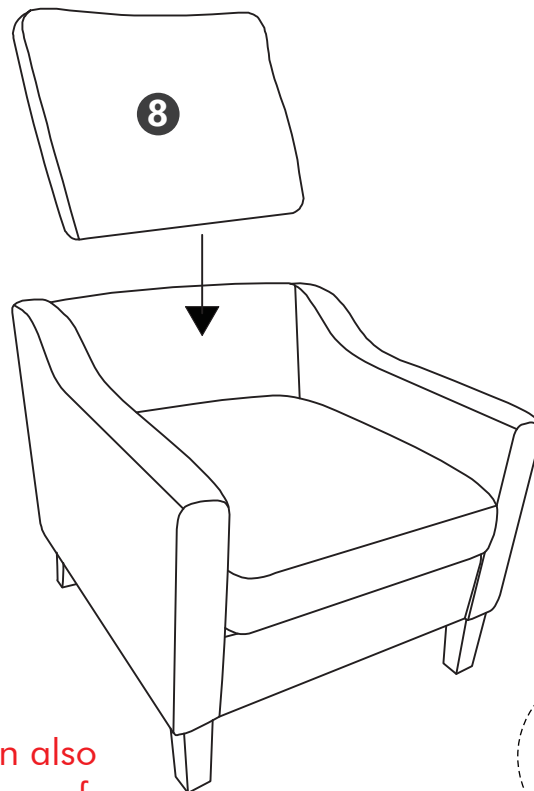


STEP 8:

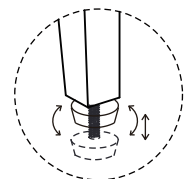
8



Pillow *1

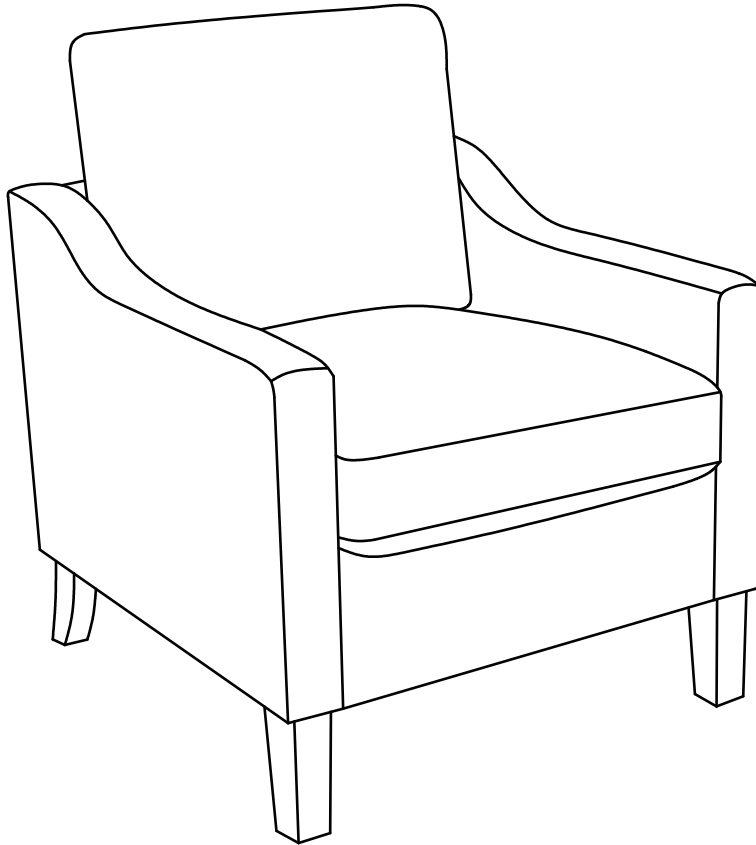


Tip: If the chair are uneven, you can also adjust the foot pegs at the bottom of the chair to improve balance.



ASSEMBLY INSTRUCTIONS

STEP 9:



Your sofa assembly is complete!

CARING FOR YOUR ITEM

Indoor use only

Not contract grade.

Clean using a non-abrasive cloth and a mild cleaner.

Never use harsh chemicals, as they could damage the finish or integrity of the item.