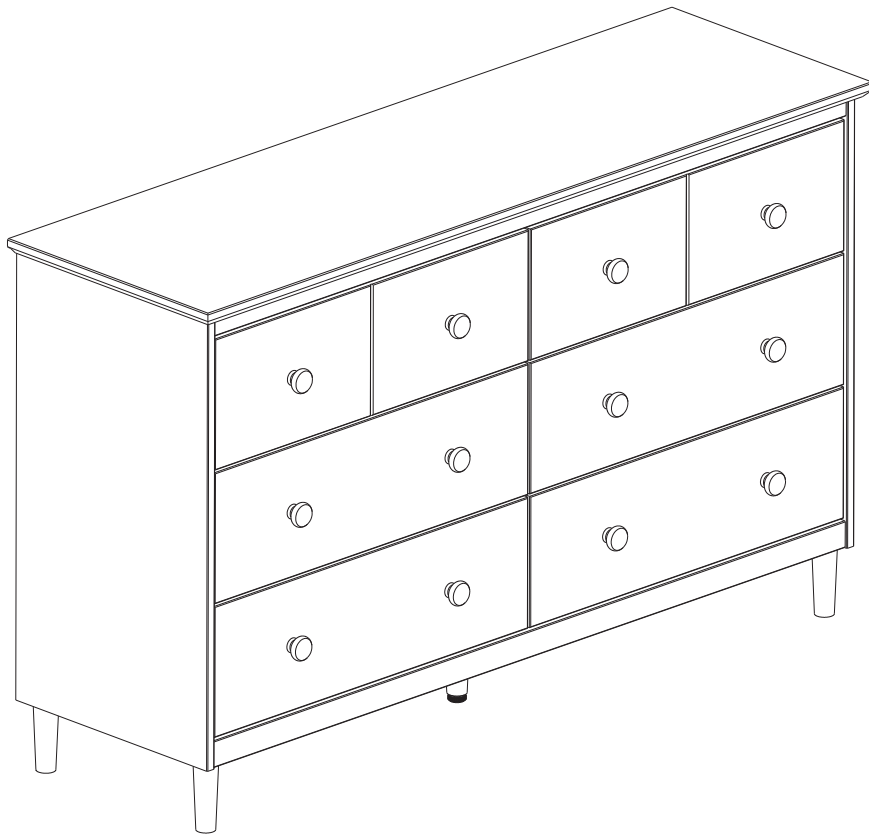
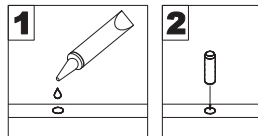


Assembly Instructions

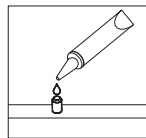


General Assembly Guidelines

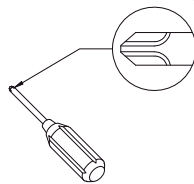
- I. Ensure that all parts and hardware are available before beginning assembly.
- II. Follow each step carefully to ensure the proper assembly of this product.
- III. Two people are recommended for ease in the assembly of this product.
- IV. The three main types of hardware used to assemble this product are wood dowels, screws and bolts.
- V. The provided glue is to secure wood dowels in place . When first inserting dowels , locate the appropriate hole for the dowel , place a small amount of glue in the hole and insert the dowel . Wipe away excess glue immediately.



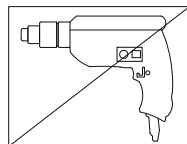
In future assembly steps when dowels are necessary to attach assembly parts together , place a small amount of glue on the end of the dowel before attaching parts together . Wipe away excess glue immediately.



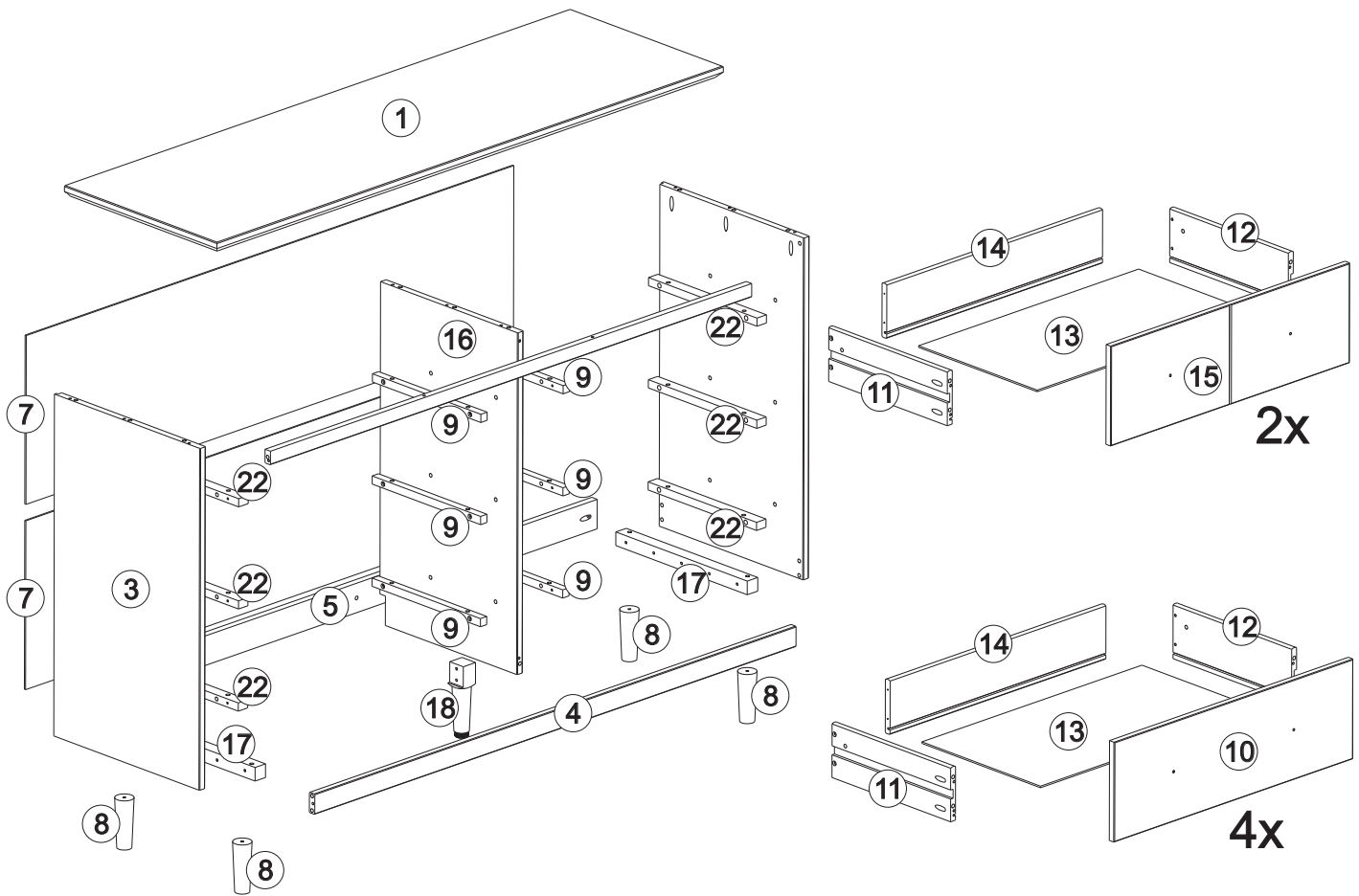
- VI. A Phillips head screwdriver is required for the assembly of this product.



- VII. Power tools should not be used to assemble this product.







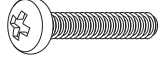

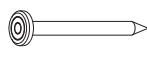

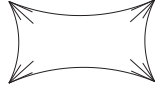
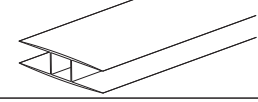



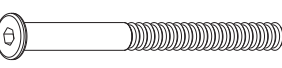

Parts List

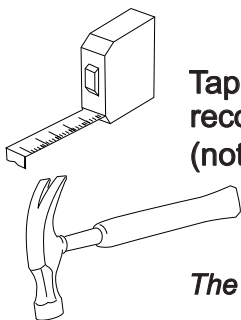


Part#	Description	Qty
1	Top panel	01 pcs
2	Right side panel	01 pcs
3	Left side panel	01 pcs
4	Bottom front crossbeam	01 pcs
5	Back crossbeam	01 pcs
6	Upper front crossbeam	01 pcs
7	Back panel	02 pcs
8	Foot	04 pcs
9	Drawer runner	06 pcs
10	Front drawer	04 pcs

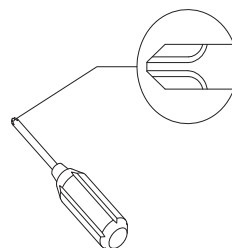
Part#	Description	Qty
11	Left side drawer	06 pcs
12	Right side drawer	06 pcs
13	Drawer bottom	06 pcs
14	Drawer back	06 pcs
15	Upper front drawer	02 pcs
16	Division	01 pcs
17	Foot crossbeam	02 pcs
18	Centre foot	01 pcs
22	Drawer runner	06 pcs

Hardware List

A		Ø8*30mm	Wooden dowel	69 pcs
B		Ø8*20mm	Wooden dowel	24 pcs
C		Ø3,5*25mm	Screw	24 pcs
D		Ø3,5*30mm	Screw	70 pcs
E		M4*22mm	Screw	12 pcs
F		Ø4,5*45mm	Screw	12 pcs
G		Ø10*10	Nail	36 pcs
H			Knob	12 pcs
I			Glue	01 pcs
J		1374 mm	"H" Profile	01 pc
K			Wall anchor	01 pc
L			Washer	02 pc
M			Ø6mm	01 pc
N		Ø7*80mm	Screw	04 pcs
O			Allen key	01 pcs



Tape measure and hammer recommended for assembly (not included)



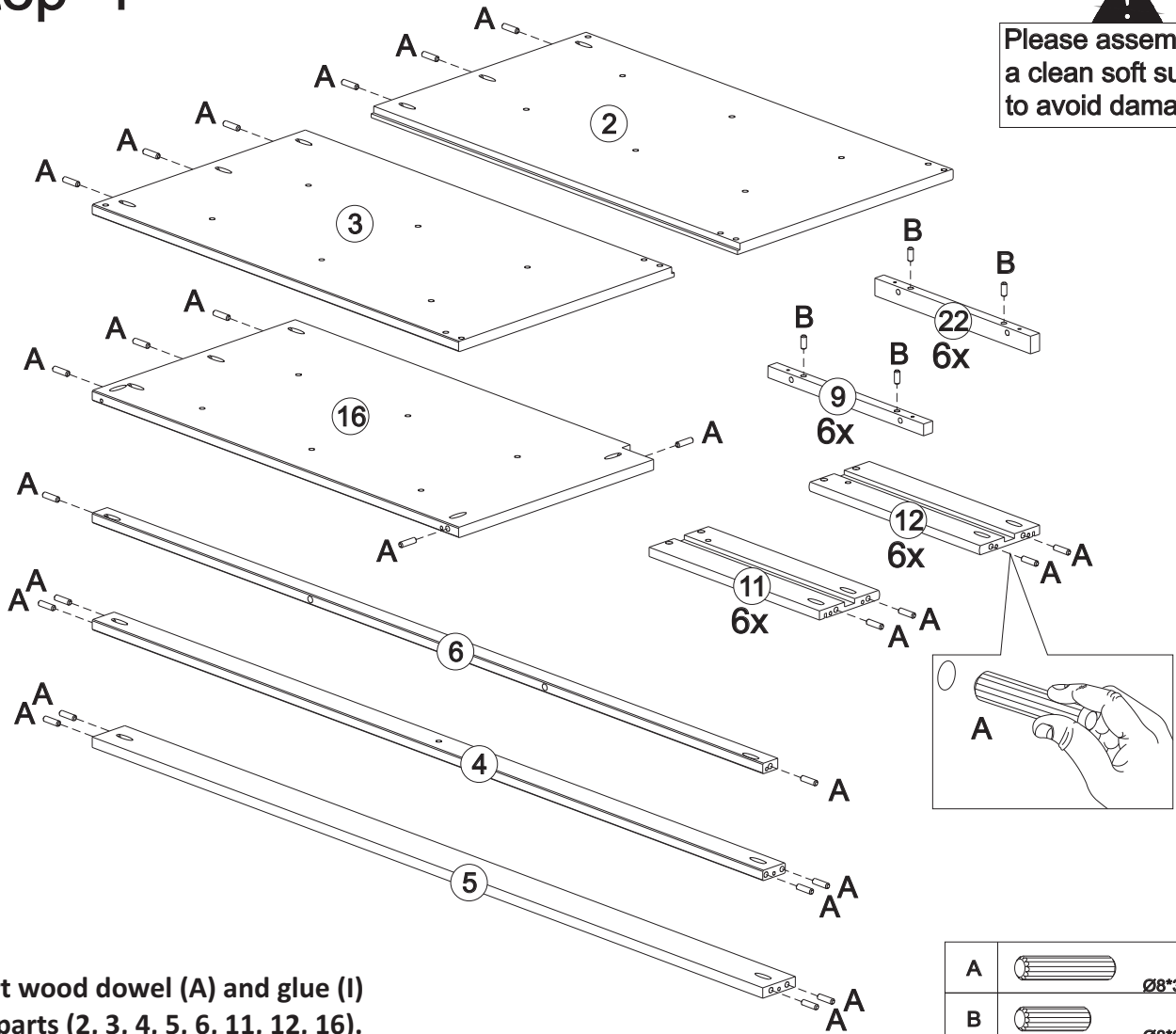
Philips head screwdriver required for assembly (not included)

The hardware quantities listed above are required for proper assembly. Some extra hardware may also have been included.

Step 1



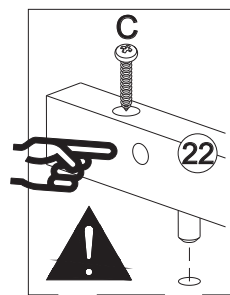
Please assemble on a clean soft surface to avoid damage.



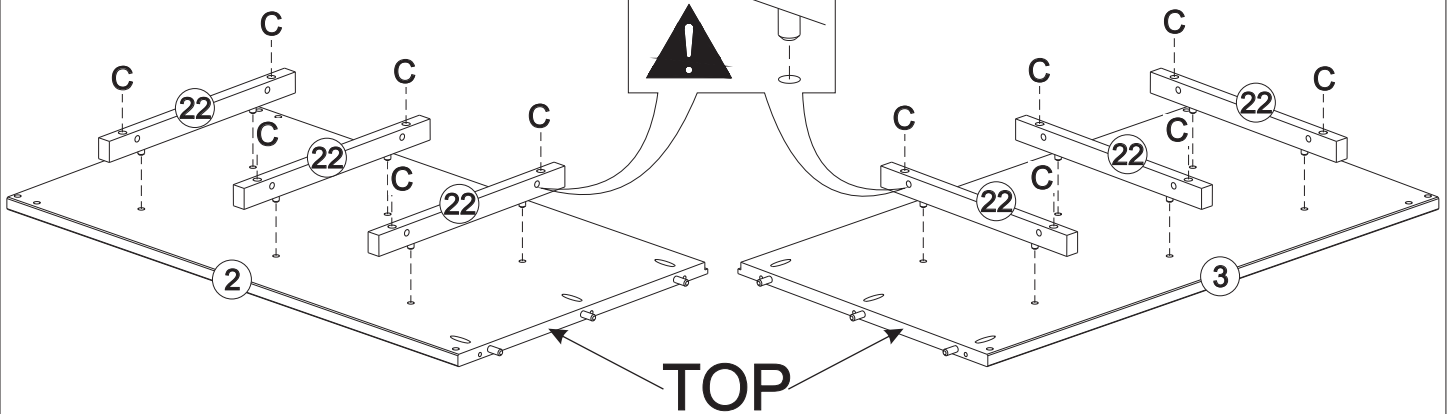
Insert wood dowel (A) and glue (I) into parts (2, 3, 4, 5, 6, 11, 12, 16).
 Insert wood dowel (B) and glue (I) into part (9, 22).

A		Ø8*30mm	45
B		Ø8*20mm	24
I			01

Step 2

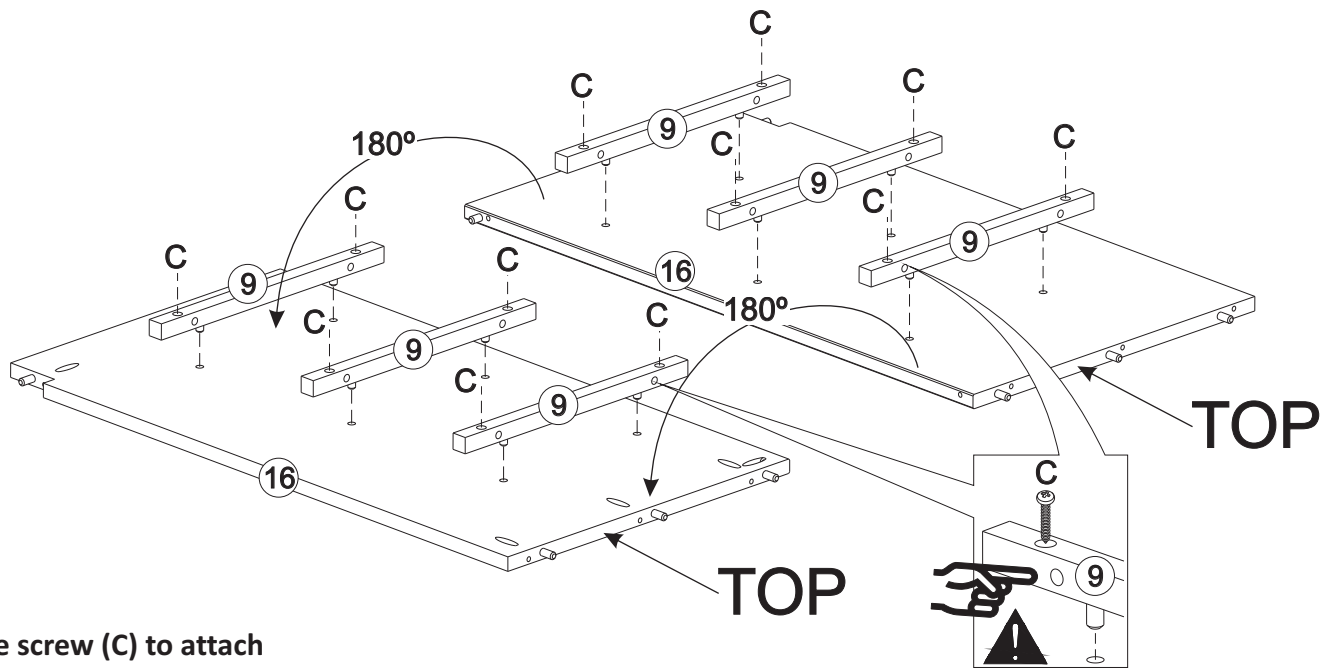


Use screw (C) to attach parts (2,3) to part (22)

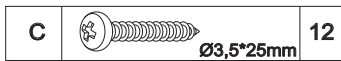


C		Ø3,5*25mm	12
---	--	-----------	----

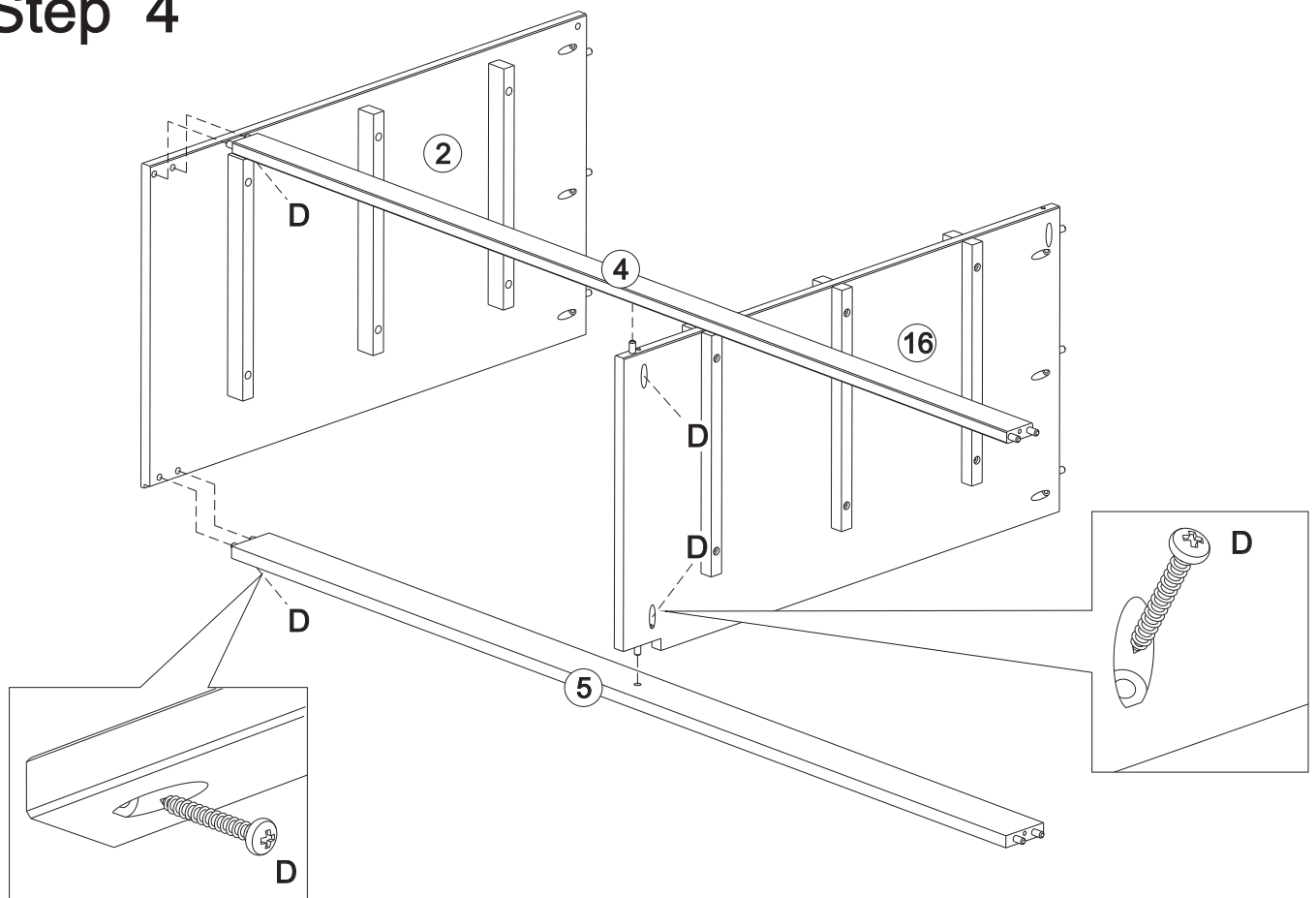
Step 3



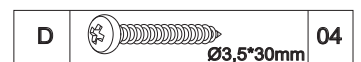
Use screw (C) to attach parts (9) to part (16)



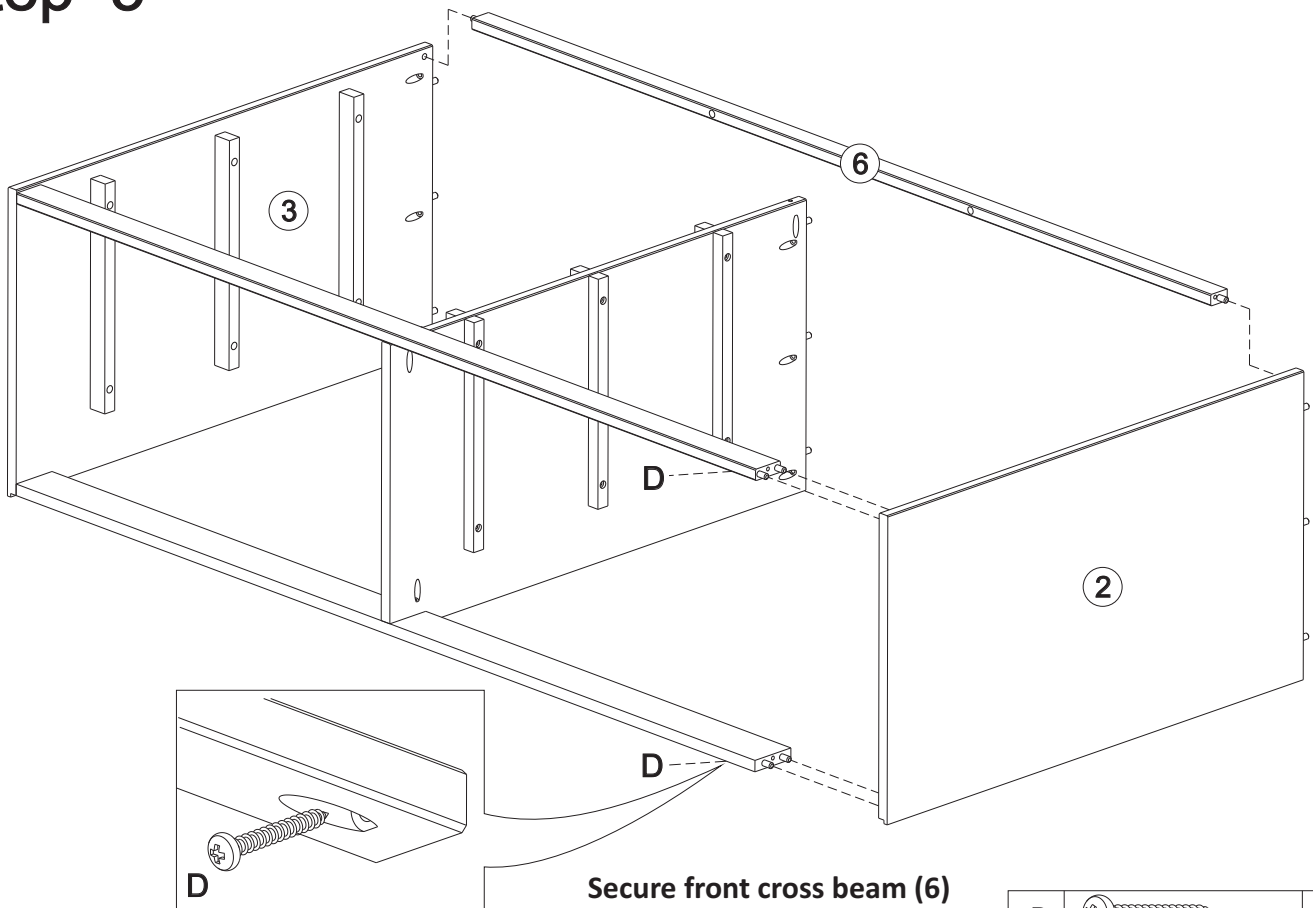
Step 4



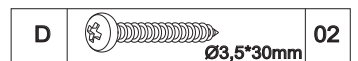
Secure cross beam (4,5) to panels (2,16) using screw (D)



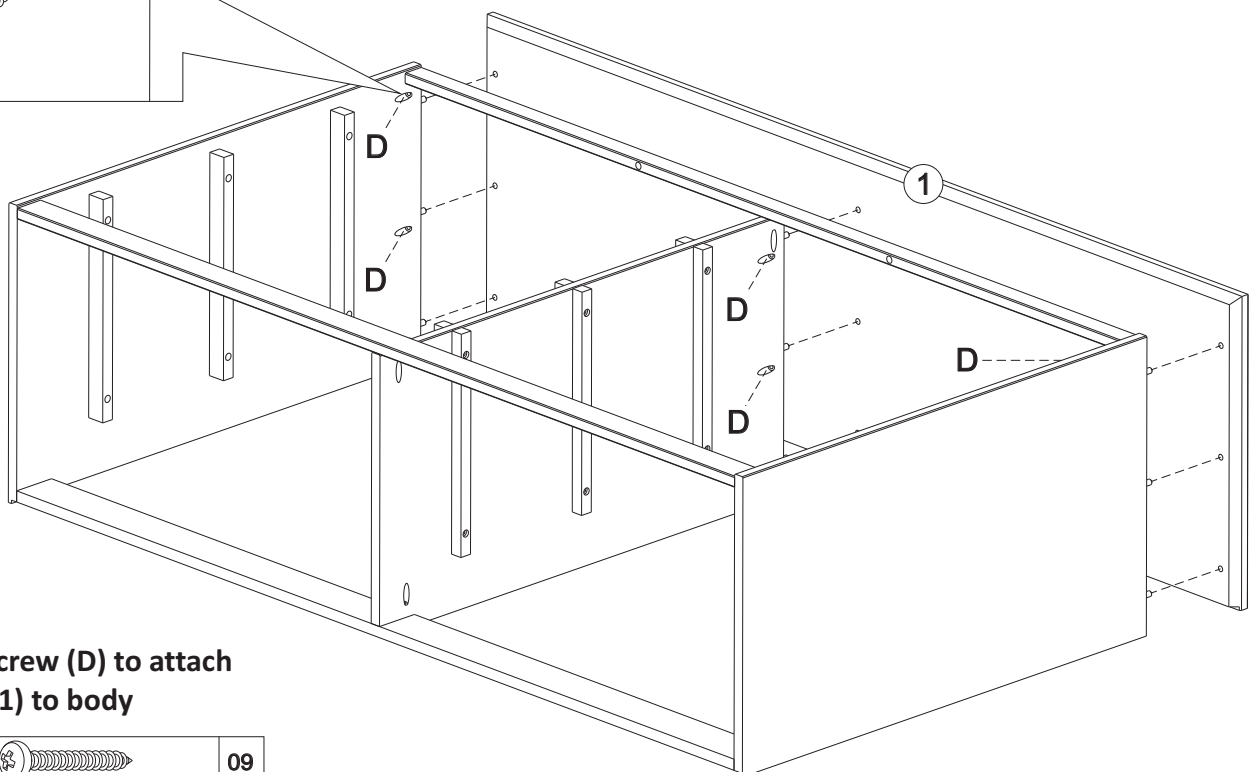
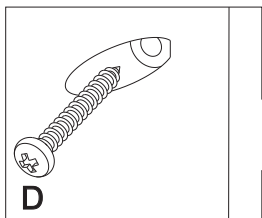
Step 5



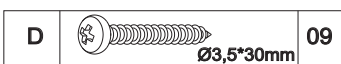
Secure front cross beam (6)
to panels (2,3) using screw (D)



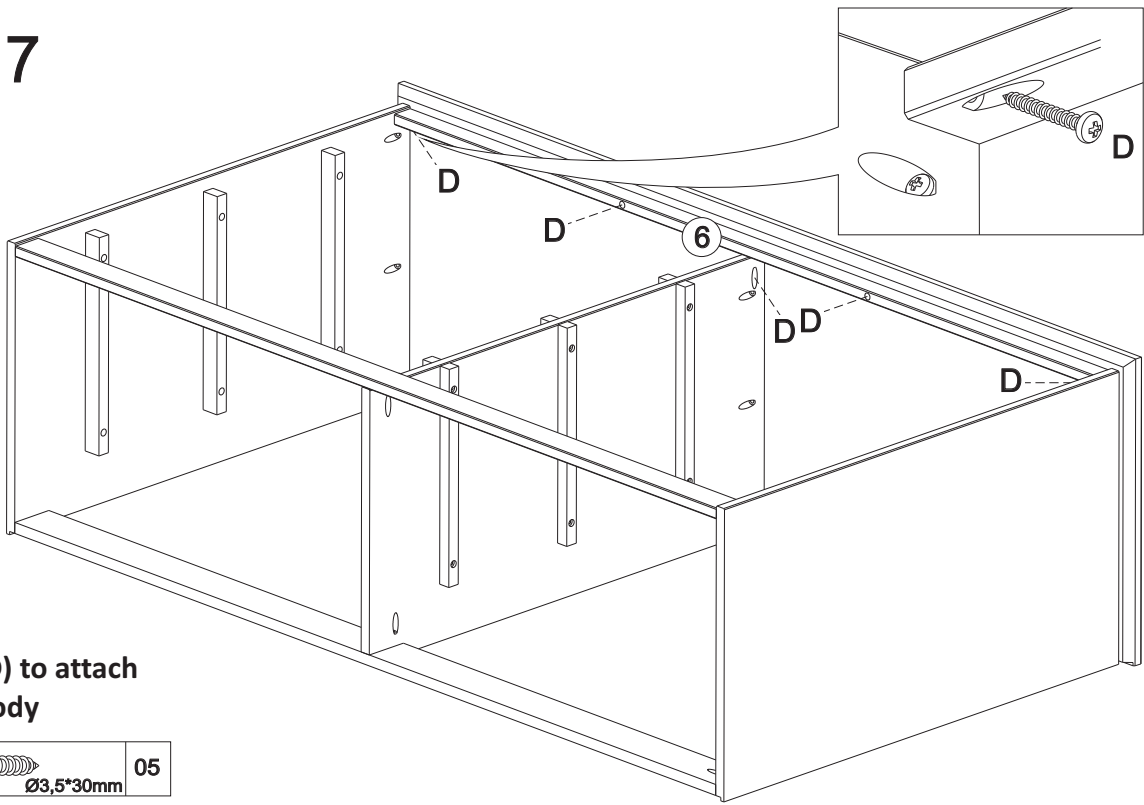
Step 6




Use screw (D) to attach
part (1) to body



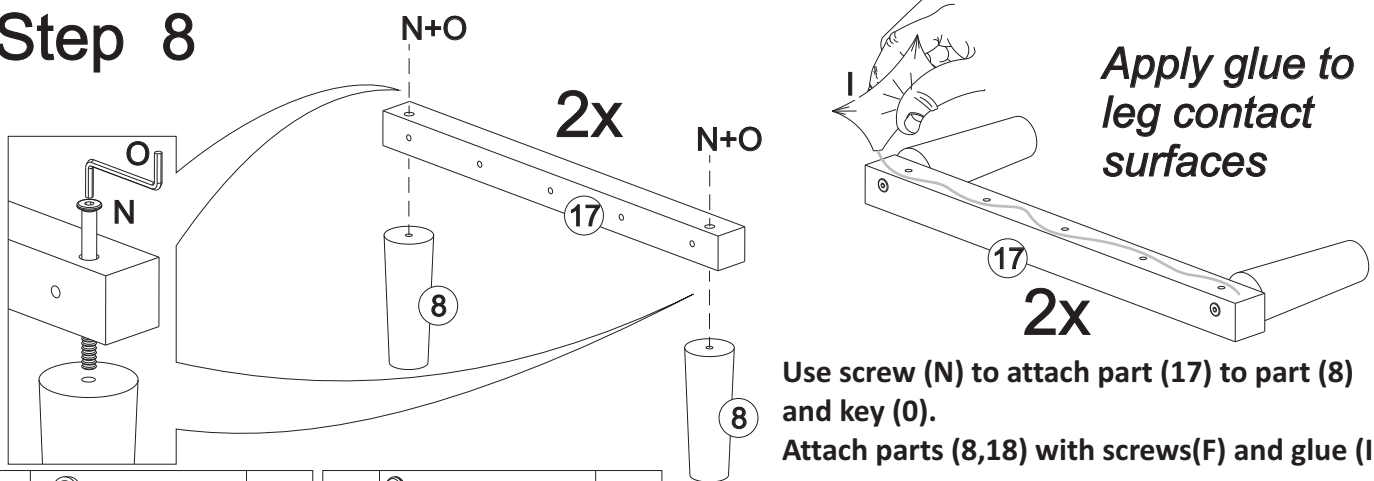
Step 7



Use screw (D) to attach part (6) to body

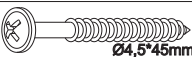
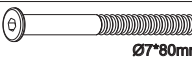

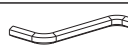
D		05
<small>Ø3,5*30mm</small>		

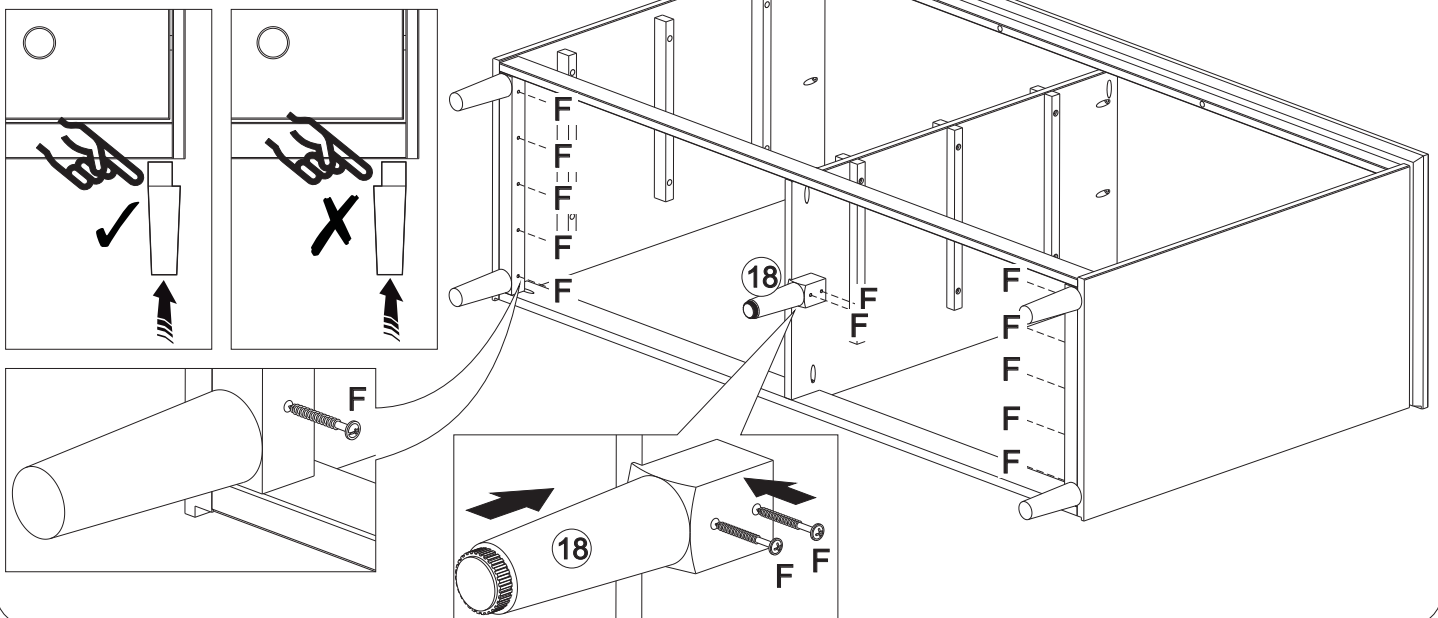
Step 8



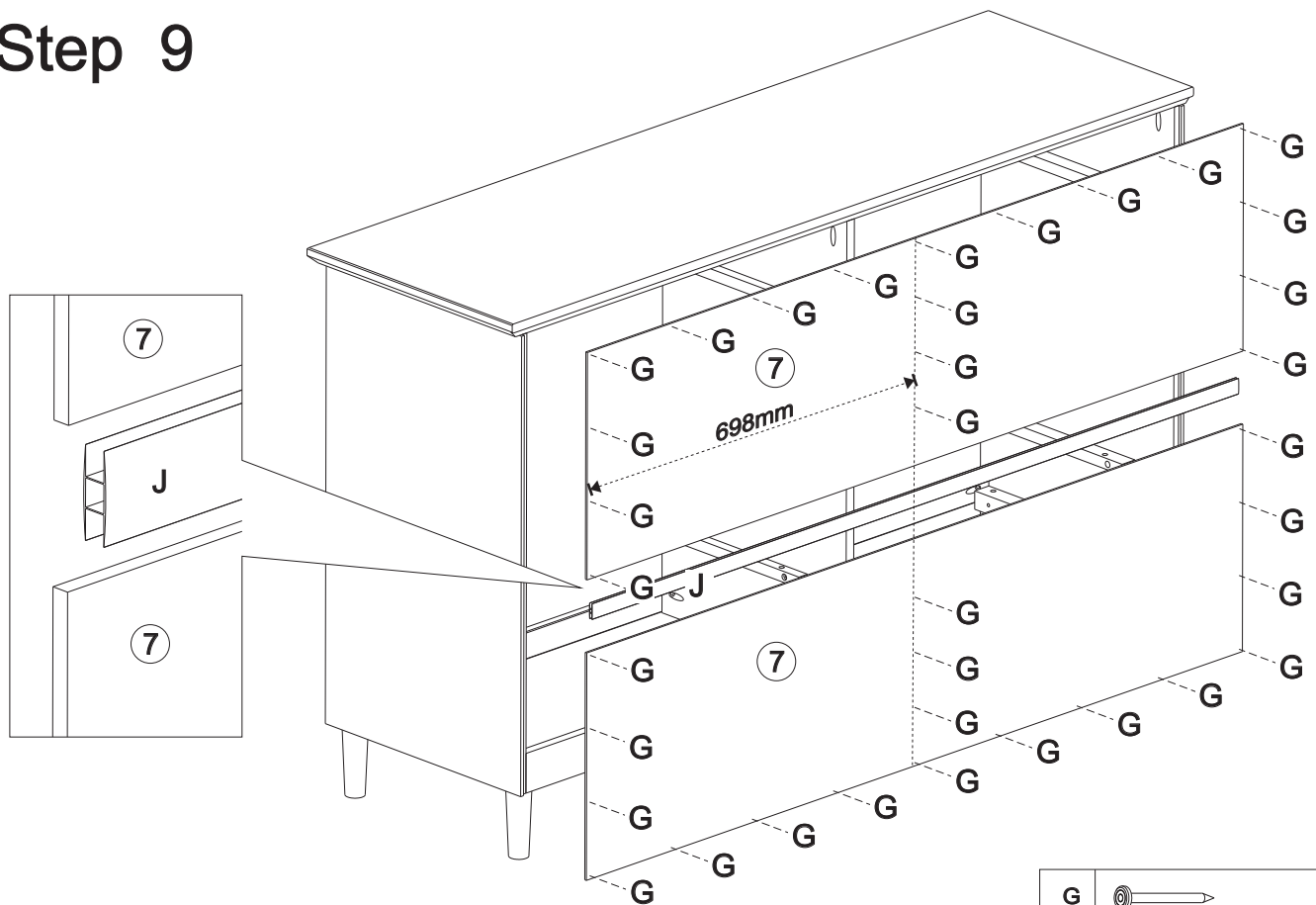
Apply glue to leg contact surfaces

Use screw (N) to attach part (17) to part (8) and key (0).
Attach parts (8,18) with screws(F) and glue (I).



F		12	N		04
<small>Ø4,5*45mm</small>		<small>Ø7*80mm</small>			
I		01	O		01
<small>Glue tube</small>		<small>Allen key</small>			



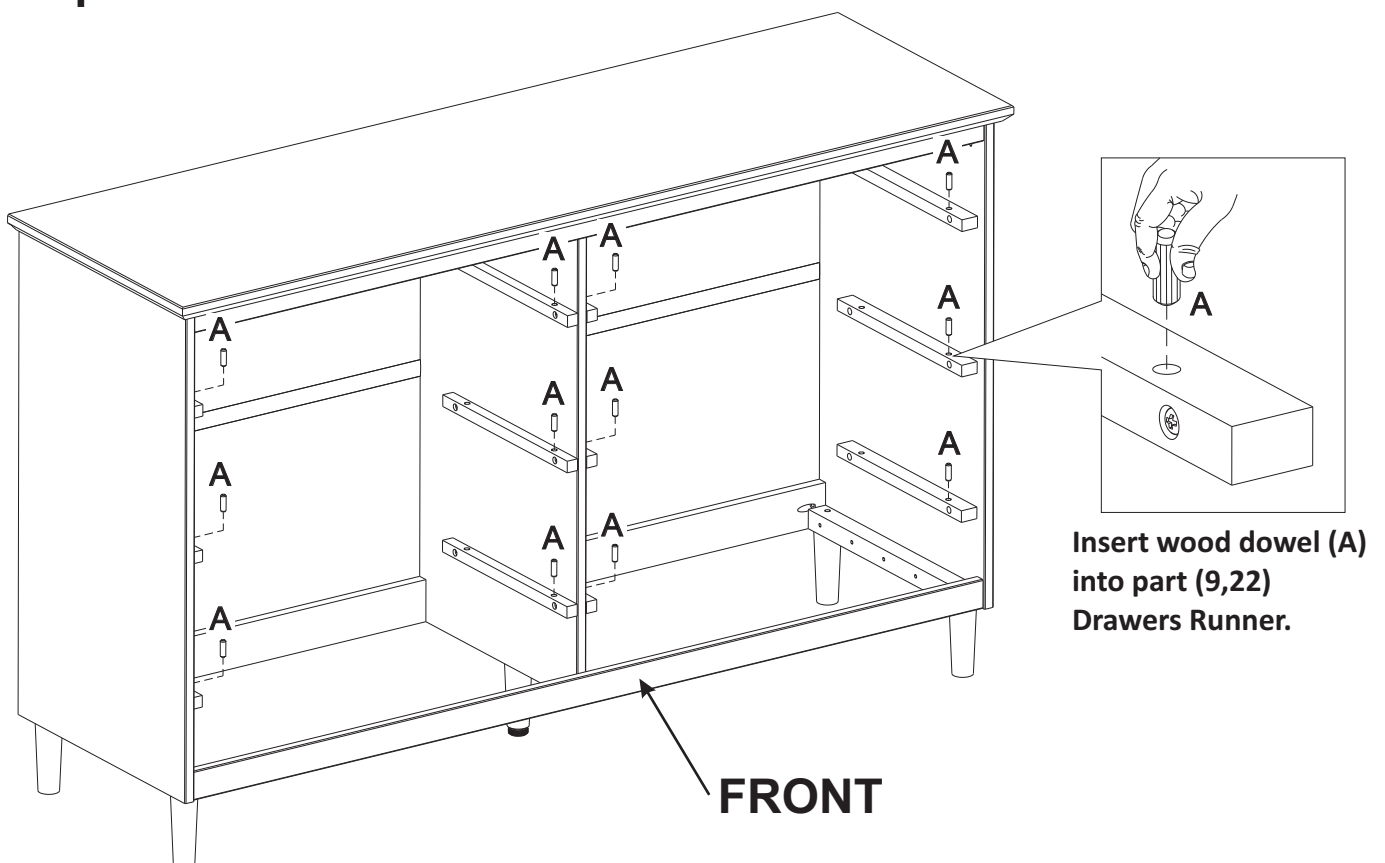
Step 9




Secure back panel (7) with part (J) to body with nails (G)

G		Ø10*10	24
J		1374mm	01

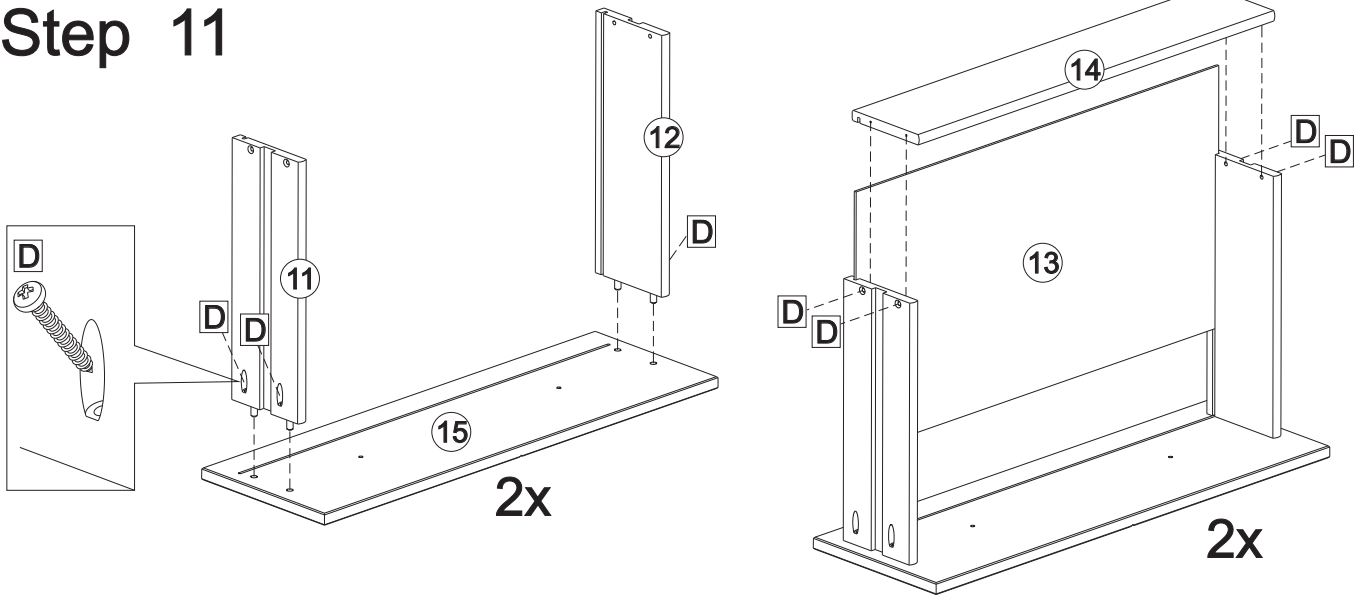
Step 10






Insert wood dowel (A) into part (9,22) Drawers Runner.

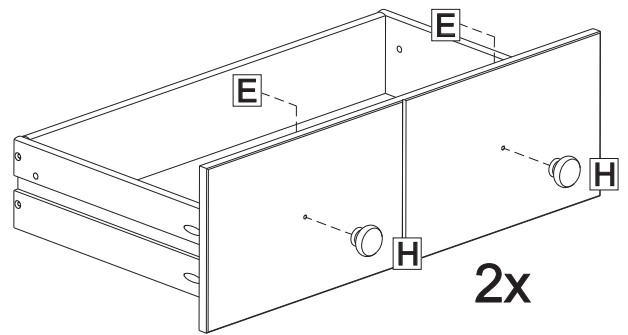
A		Ø8*30mm	12
---	---	---------	----

Step 11

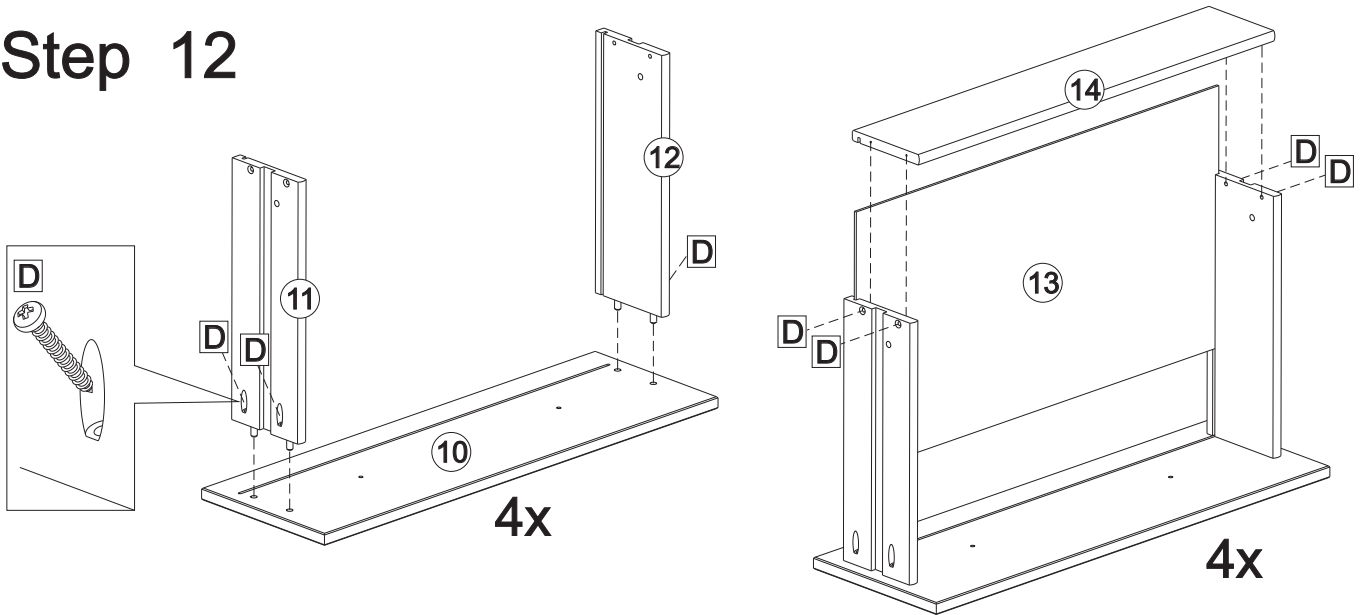


Attach parts (11,12) to part (15), insert panel (13) into grooves and secure part (14) with screws(D)
Insert knob (H) with screws(E).




D		16
E		04
H		04

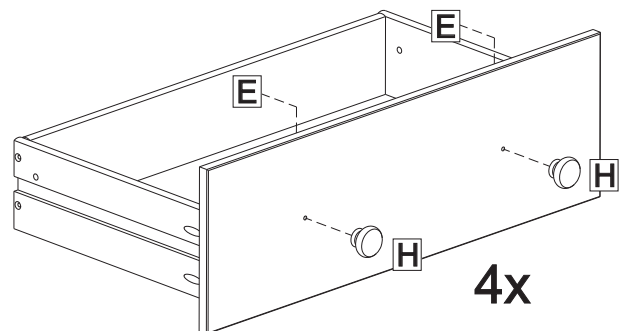


Step 12



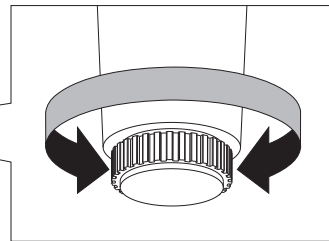
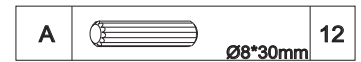
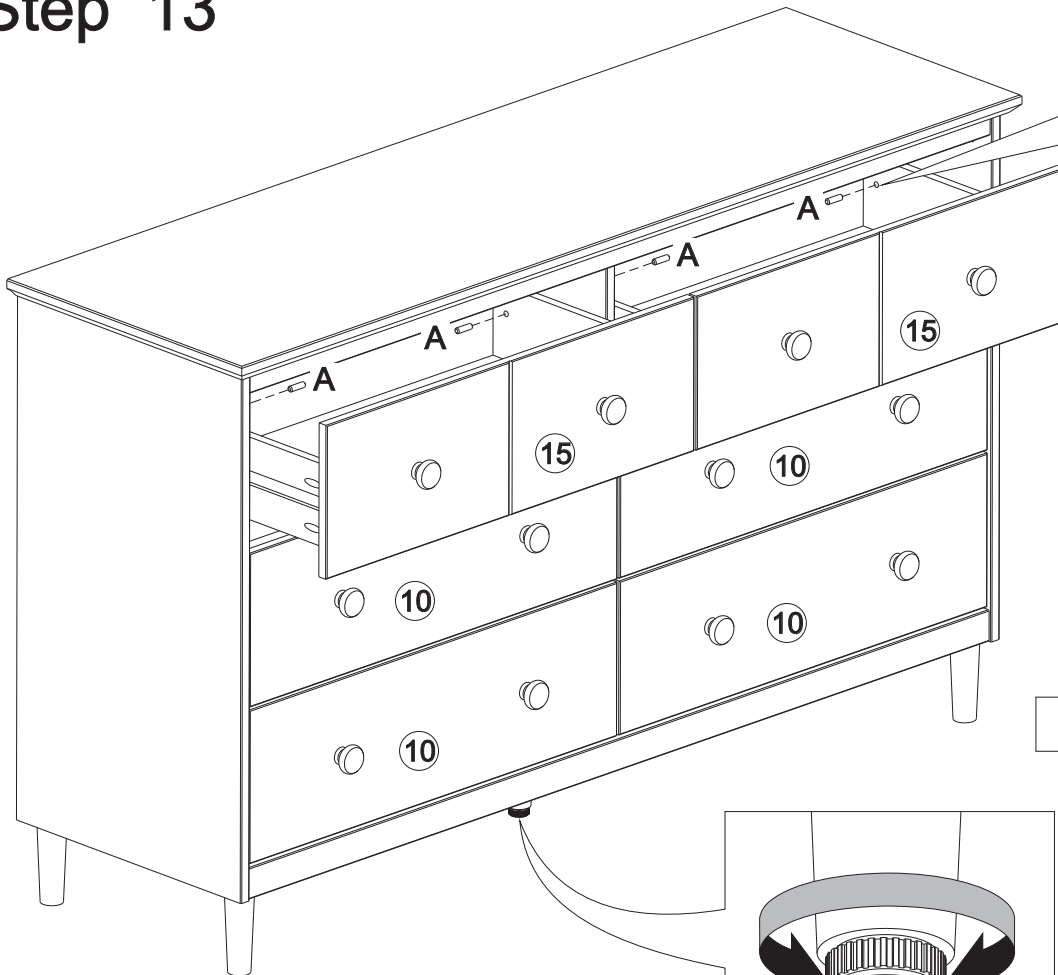
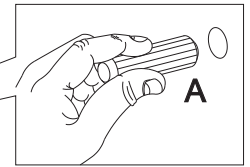
Attach parts (11,12) to part (10), insert panel (13) into grooves and secure part (14) with screws(D)
Insert knob (H) with screws(E).

D		32
E		08
H		08



Step 13

Insert wood dowel (A)



Assembly Complete!

Maintenance Guide

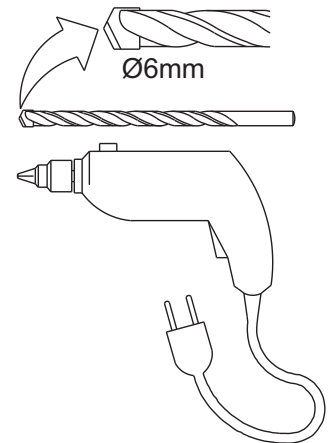
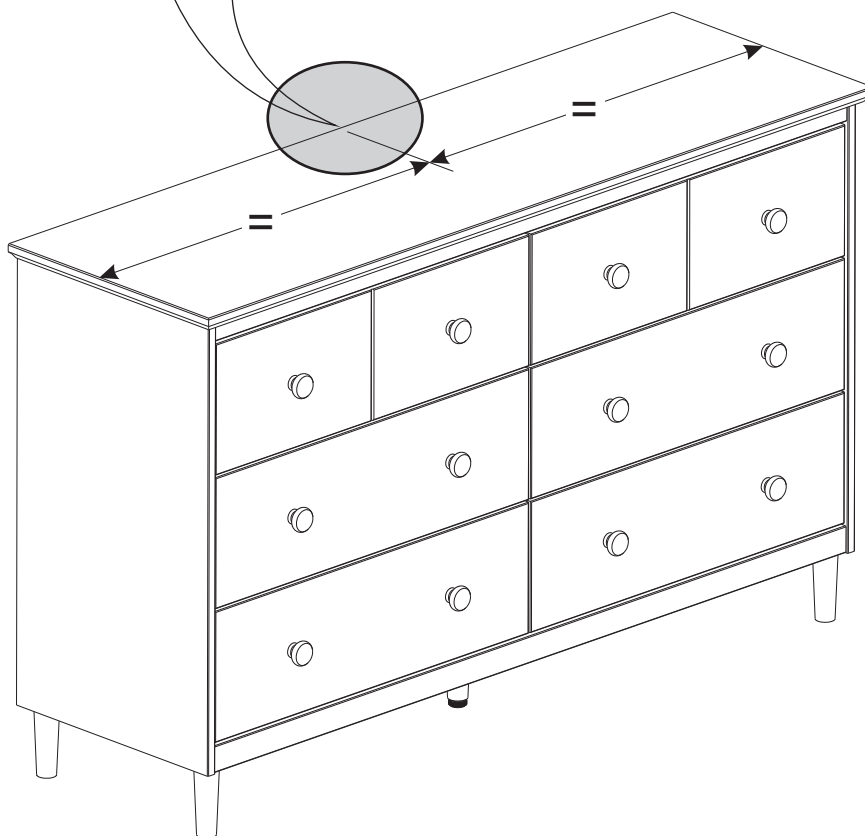
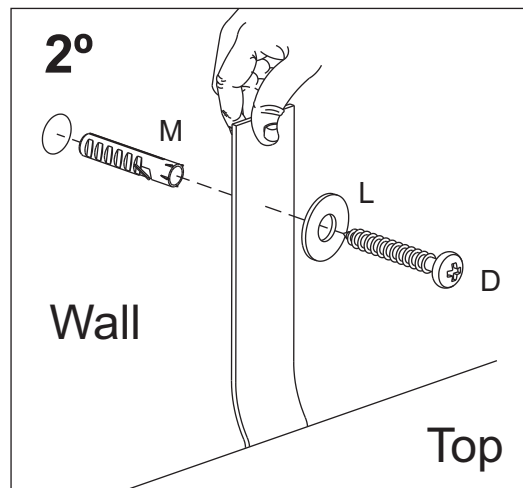
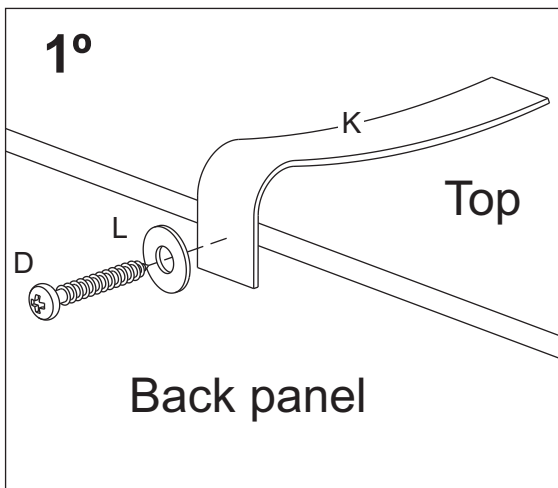
To maintain long term performance and easy gliding of your solid wood drawers, we recommend applying wax to the wooden guide rails.





1. Bee's wax is recommended or Paraffin wax from a standard candle can be used.
2. Apply the wax by rubbing it on the wooden guide rails where there is wood-on-wood contact when opening and closing the drawer. (Wax should be room temperature, do not melt the wax onto the wood)
3. Wax should be applied every few months for the first year and then only when needed after that to keep the drawers sliding smoothly.

WARNING

Serious or fatal injuries can occur from furniture tipping over. To prevent the furniture from tipping over we recommend that it is permanently fixed to the wall.

Wall anchor and hardware are included with this product. Please make sure hardware is suitable for your walls before installing, as different wall materials may require different types of anchors.



D	 Ø3,5*30mm	02
K		01
L		02
M		01