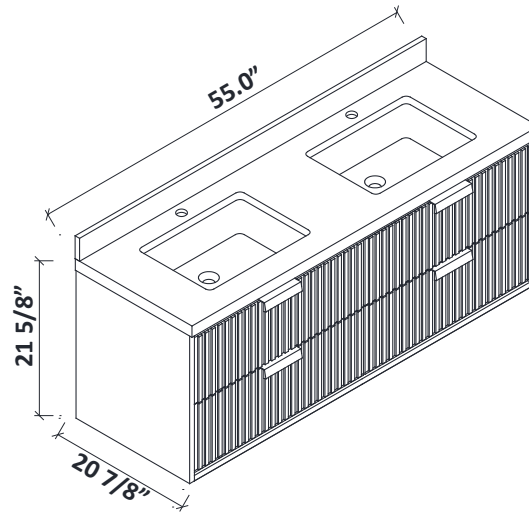
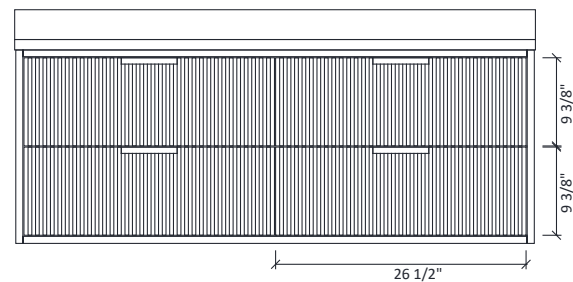
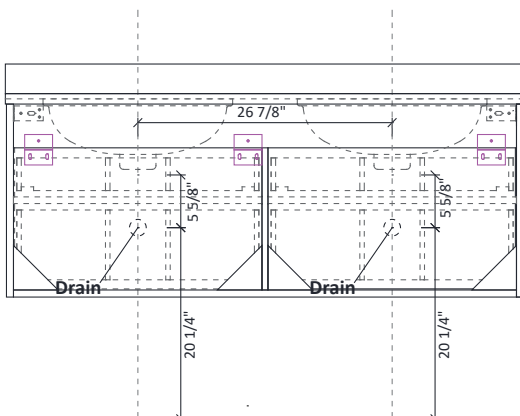
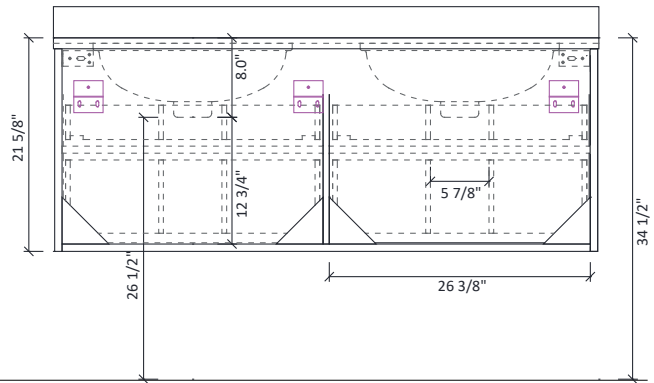
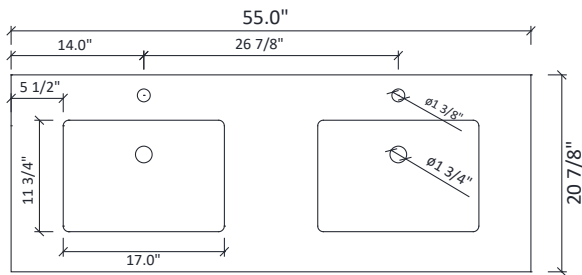


S2401-55 Floating Vanity Installation Instruction



DIMENSIONS



WARNING !

In the hole on the wall, please be sure to be careful to avoid the internal cables and pipelines.



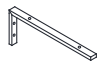
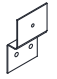



MATERIALS & TOOLS

Safety glasses, Pencil, Level, Tape measure, Stud Finder, Assorted screwdrivers, Assorted Wrenches, Drill, Screw gun, Caulking gun, Hammer, Screws, Nail anchors/Molly screws.

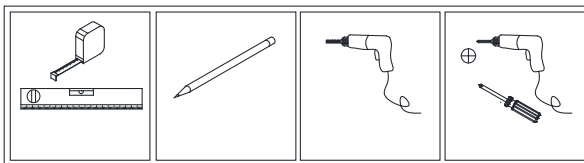
INSTALLATION GUIDE

Step 1

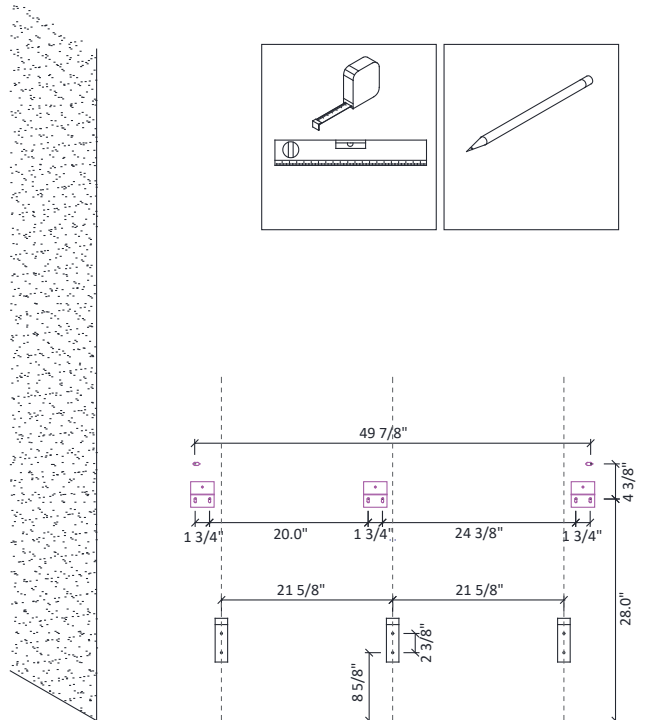
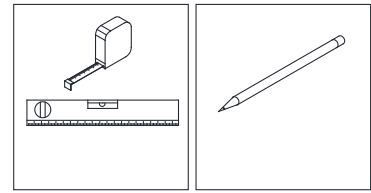
PARTS

 A x8	 6*45 B x8	 C x3	 D x3
 E x14	 3.5*45 F x6	 3.5*15 G x3	

TOOLS REQUIRED

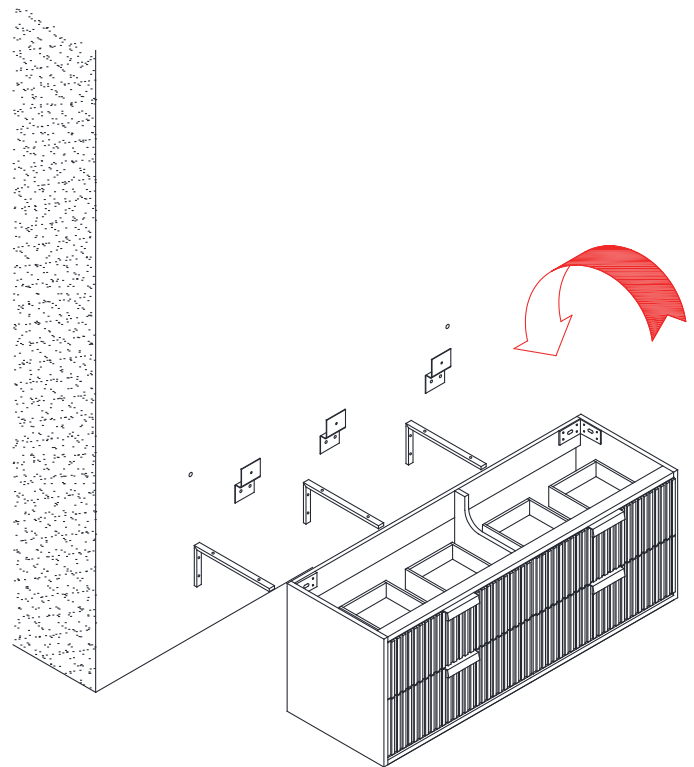
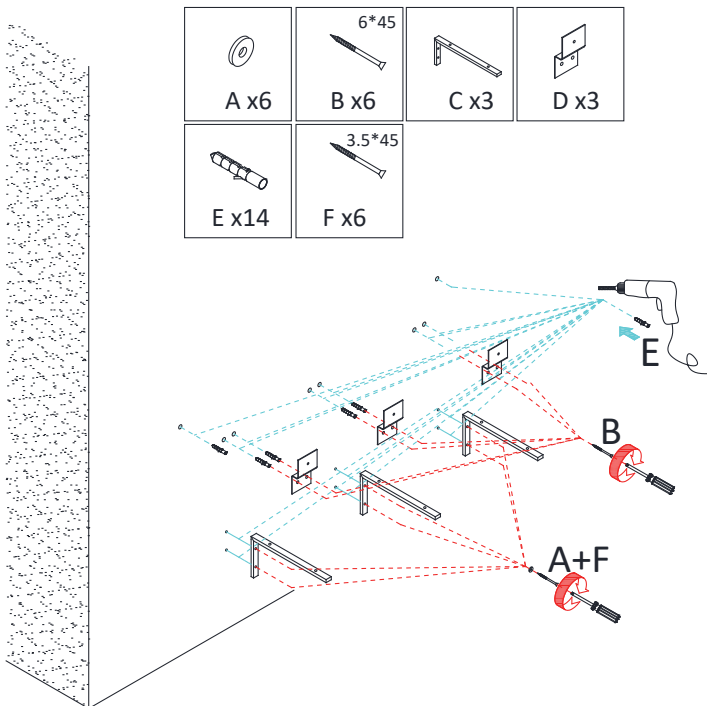


Step 2



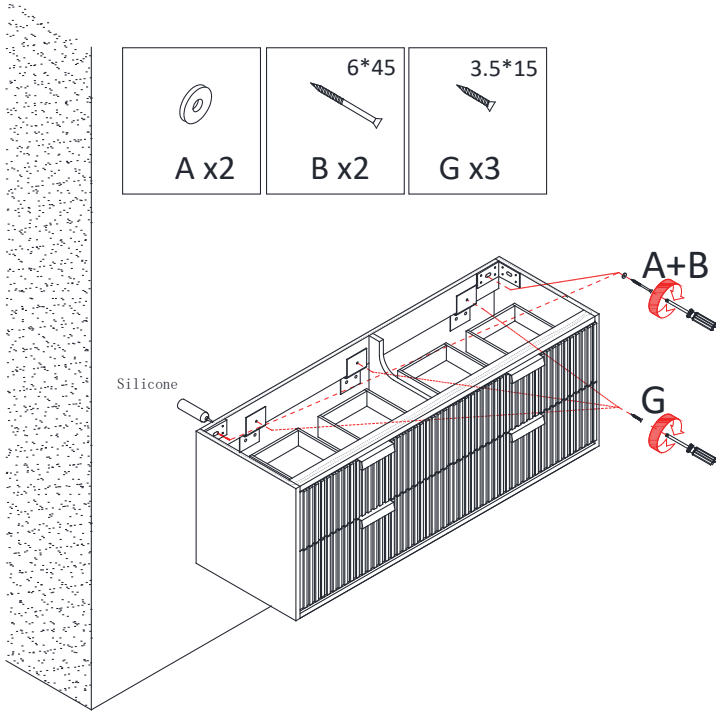
Step 3

Step 4

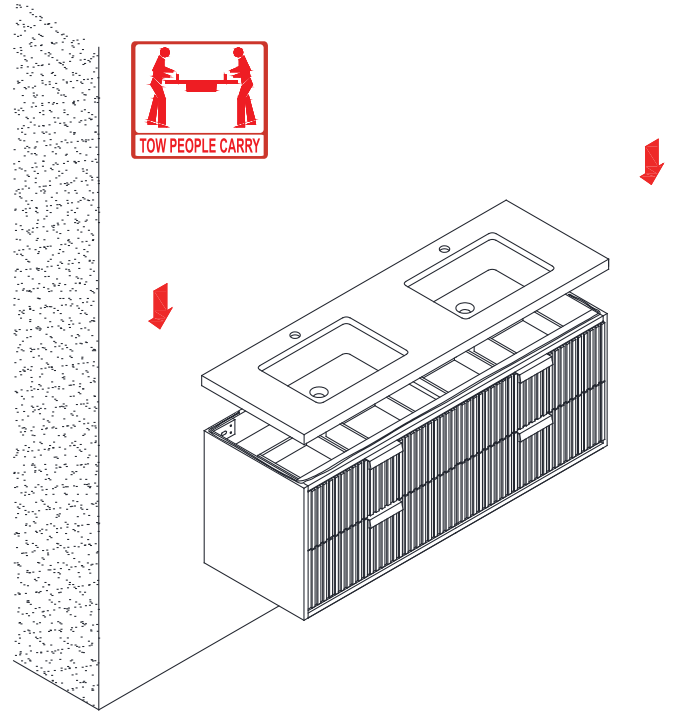


INSTALLATION GUIDE

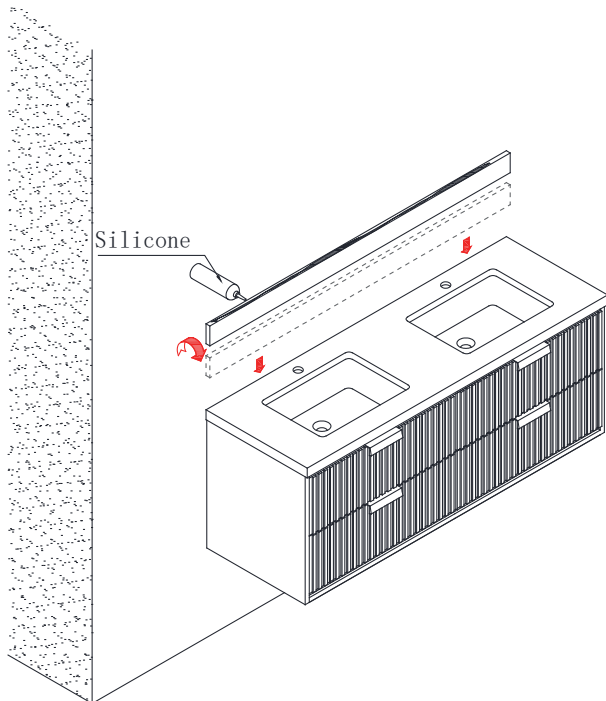
Step 5



Step 6



Step 7



Step 8

