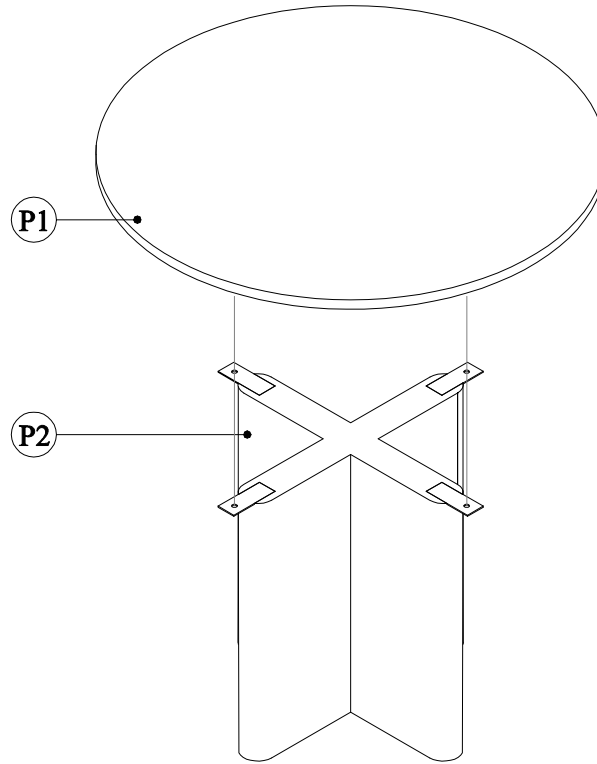
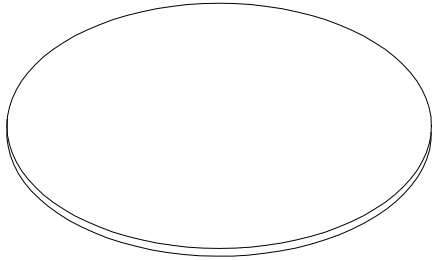




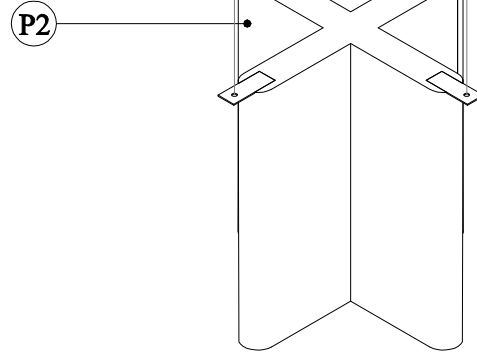
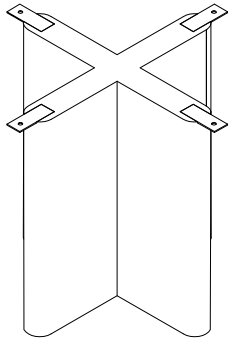
THEODORE ALEXANDER

# WRC54016 ASSEMBLY INSTRUCTION

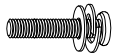
**P1** Top (x1)



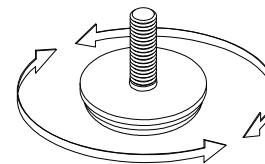
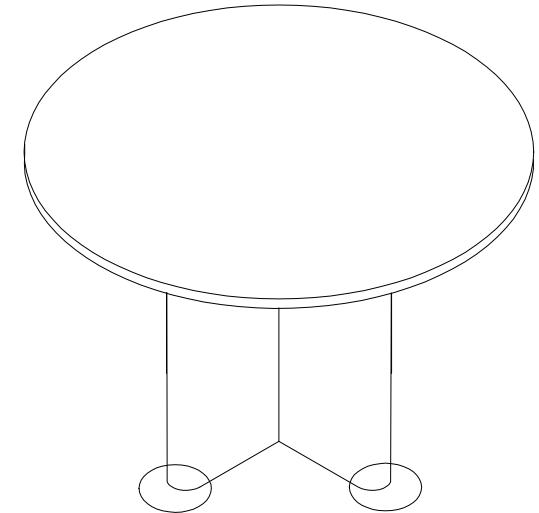
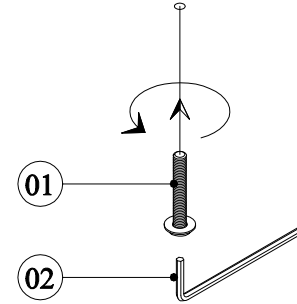
**P2** Base (x1)



**01** Steel allen bolt & washer (x4)



**02** Steel allen wrench (x1)



Detail 'B'