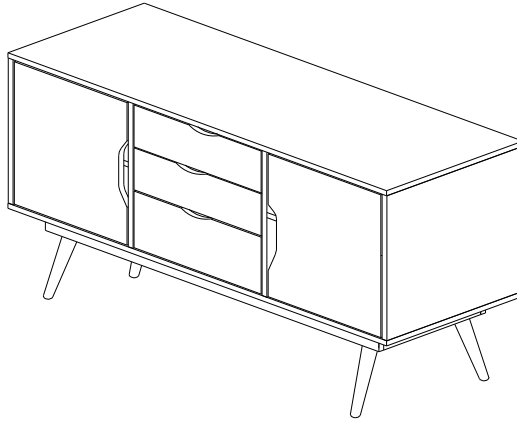


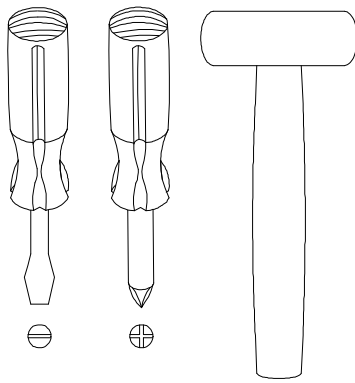
# ASSEMBLY INSTRUCTIONS



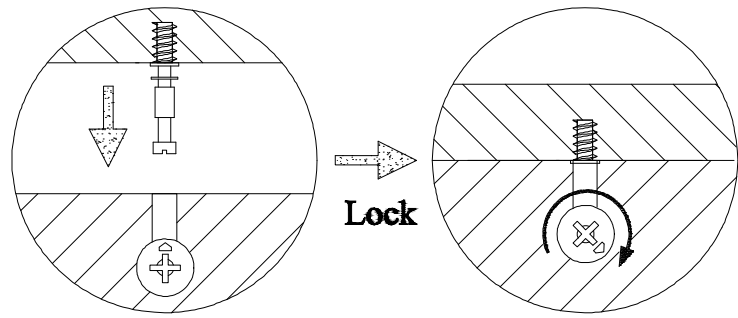
## IMPORTANT PLEASE READ BEFORE YOU CONTINUE FURTHER

### WARNING AND INSTRUCTIONS

- PLEASE KEEP THE ORIGINAL PACKAGING UNTIL THE ITEM IS FULLY ASSEMBLED AND IN PLACE. IN THE UNLIKELY EVENT YOU NEED TO RETURN YOUR PRODUCT. IT MUST BE RETURNED IN ITS ORIGINAL PACKAGING TO AVOID FURTHER DAMAGE..
- IMPORTANT: RETAIN THESE INSTRUCTIONS FOR FUTURE REFERENCE.
- DUE TO THE SIZE OF THIS PRODUCT WE RECOMMEND THAT IT IS ASSEMBLED IN THE ROOM INTENDED FOR USE.
- WHEN YOU ARE READY TO START, MAKE SURE THAT YOU HAVE THE RIGHT TOOLS, PLENTY OF SPACE AND A CLEAN, DRY AREA FOR ASSEMBLY.
- UNWRAP ALL PACKAGING MATERIALS AND PLACE THE COMPONENTS ON TOP OF THE CARTON BOX OR ON A CLEAN FLOOR TO PREVENT IT FROM SCRATCHING.
- CHECK THE PACK AND MAKE SURE YOU HAVE ALL THE PARTS LISTED.
- ENSURE THAT THIS PRODUCT IS FULLY ASSEMBLED AS ILLUSTRATED BEFORE USE.
- TOOLS NOT INCLUDED.
- CHECK ALL SCREWS OR BOLTS ARE TIGHTENED AND INSPECT REGULARLY.
- THIS PRODUCT SHOULD ONLY BE USED ON FIRM LEVEL GROUND.
- KEEP SMALL PART OUT OF REACH OF CHILDREN.
- MAKE SURE THE LEGS REMAIN IN CONTACT WITH THE GROUND.
- DO NOT USE POWER TOOLS TO CONSTRUCT THIS PRODUCT.
- DO NOT TIGHTENED SCREWS UNTIL FULLY ASSEMBLED.
- DO NOT OVER TIGHTENED SCREWS OR BOLTS.
- DO NOT USE THIS PRODUCT IF PARTS ARE MISSING, DAMAGE OR WORN.
- DO NOT SIT AND STAND ON THE PRODUCT.
- TO CLEAN WIPE WITH A SPONGE AND WARM SOAPY WATER. DO NOT USE SOLVENT BASED CLEANERS OR DETERGENTS AS THEY CAN BLEACH OR DAMAGE THE PRODUCT.
- NEVER USE SCOURERS, ABRASIVES OR CHEMICAL CLEANERS.

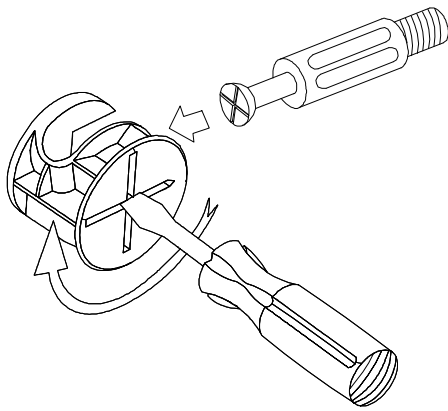


(Tools not provided)



Use a flat blade screwdriver to tighten the cam nuts. A quarter turn clockwise is all that is needed.

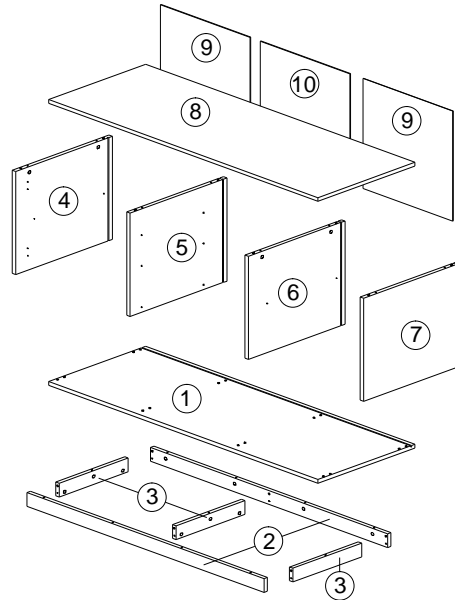
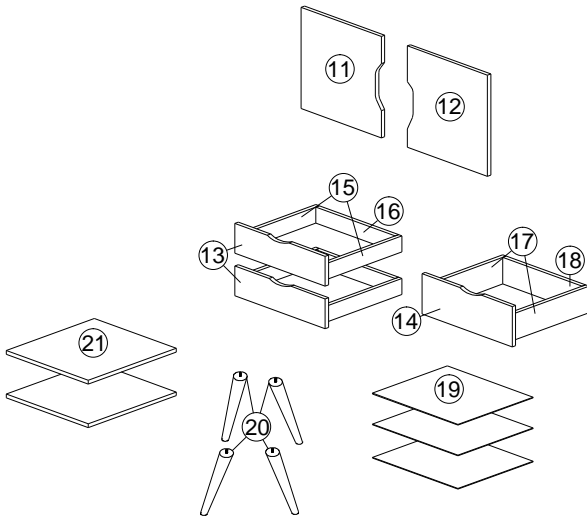
## This is how a cam nut works.....



The head of the cam bolt goes into the open mouth of the cam nut. You then turn the cam nut so it tightens over the bolt.

## TWO PERSONS REQUIRED TO ASSEMBLE THIS PRODUCT

1. Please check that you have all the parts listed before you start assembling. If you do find that something is missing, do not continue assembly. Please contact your supplier immediately.
2. Lay out all of the components on a soft surface as if you were preparing to do a jigsaw puzzle.
3. Separate and identify each component from the hardware pack and rest each one in its proper location before fastening.



## PARTS LIST

NO.	PARTS						QTY
1	1250	X	450	X	15	1 PC	
2	1100	X	60	X	15	2 PCS	
3	304	X	60	X	15	3 PCS	
4	450	X	449	X	15	1 PCS	
5	450	X	449	X	15	1 PC	
6	450	X	449	X	15	1 PC	
7	450	X	449	X	15	1 PC	
8	1250	X	450	X	15	1 PC	
9	460	X	390	X	2.5	2 PCS	
10	460	X	434	X	2.5	1 PC	
11	444	X	372	X	15	1 PC	
12	444	X	372	X	15	1 PC	
13	418	X	130	X	15	2 PCS	
14	418	X	176	X	15	1 PC	
15	350	X	70	X	15	4 PCS	
16	368	X	70	X	15	2 PCS	
17	350	X	116	X	15	2 PCS	
18	368	X	116	X	15	1 PC	
19	397	X	350	X	2.5	3 PCS	
20	274	X	60	X	60	4 PCS	
21	380	X	410	X	15	2 PCS	

## HARDWARE LIST

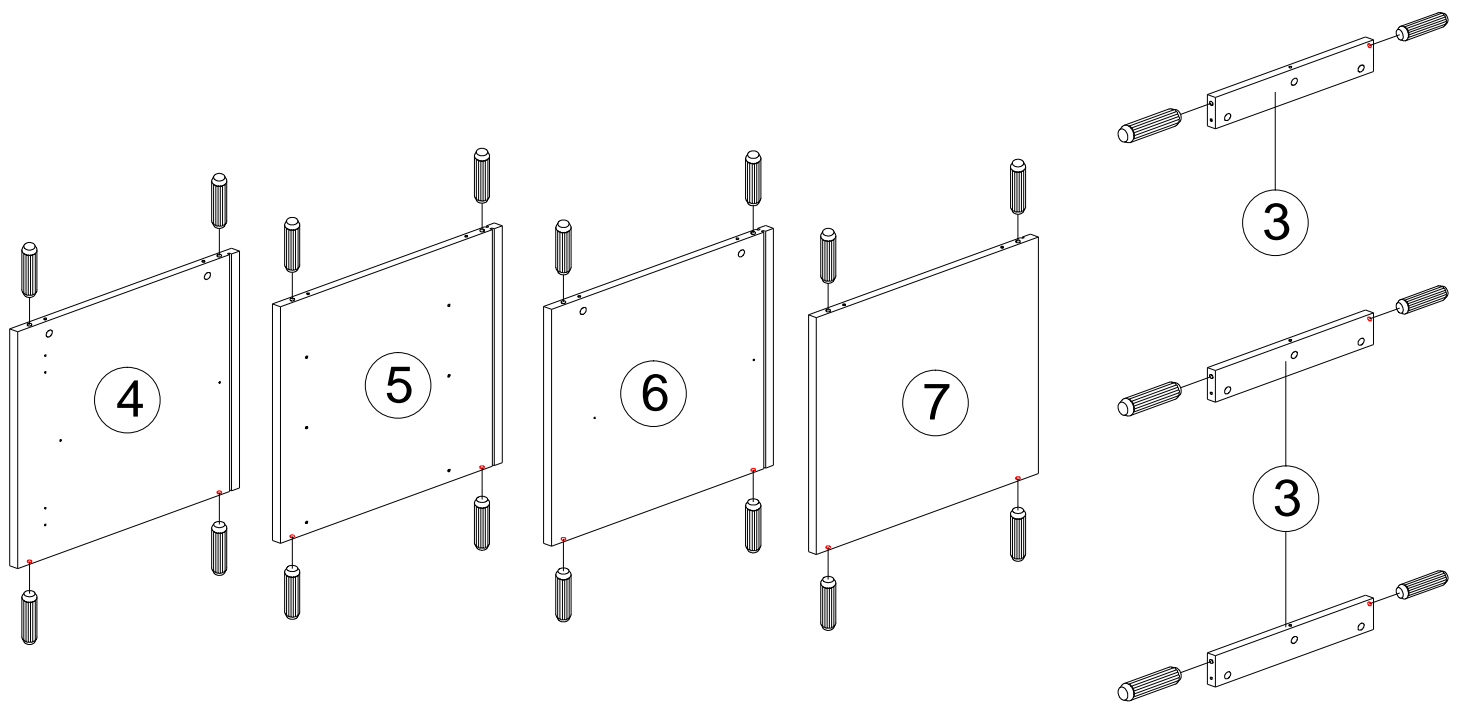
NO.	DESCRIPTION		QTY
A		CAM NUT 15MM	25
B		CAM BOLT	25
C		CAM CAP	25
D		WOOD DOWEL 8 X 25	22
E		CSK CAP WOOD M6 X 50MM	8
F		NAIL 5/8	30
G		L KEY (M4)	1
H		CB SCREW M3.5 X 16MM	52
I		CB SCREW M4 X 25MM	16
J		CB SCREW M4 X 38MM	32
K		HINGES 7/8	4
L		SHELF SUPPORT	8
M		LEG SUPPORT 83	4
N		STICKER	8
O		DRAWER SLIDE 14"	3
P		DRAWER SLIDE 14"	3
V		CB SCREW M3.5 X 16MM	2
W		CB SCREW M4 X 38MM	2
X		SAFETY STRAP	2
Y		PLASTIC WALL ANCHOR	2
Z		WASHER	4

THE USE OF POWER TOOLS TO ASSEMBLE THIS PRODUCT WILL INVALIDATE ANY CLAIM AND MAY DAMAGE THIS PRODUCT MAKING IT UNSAFE.



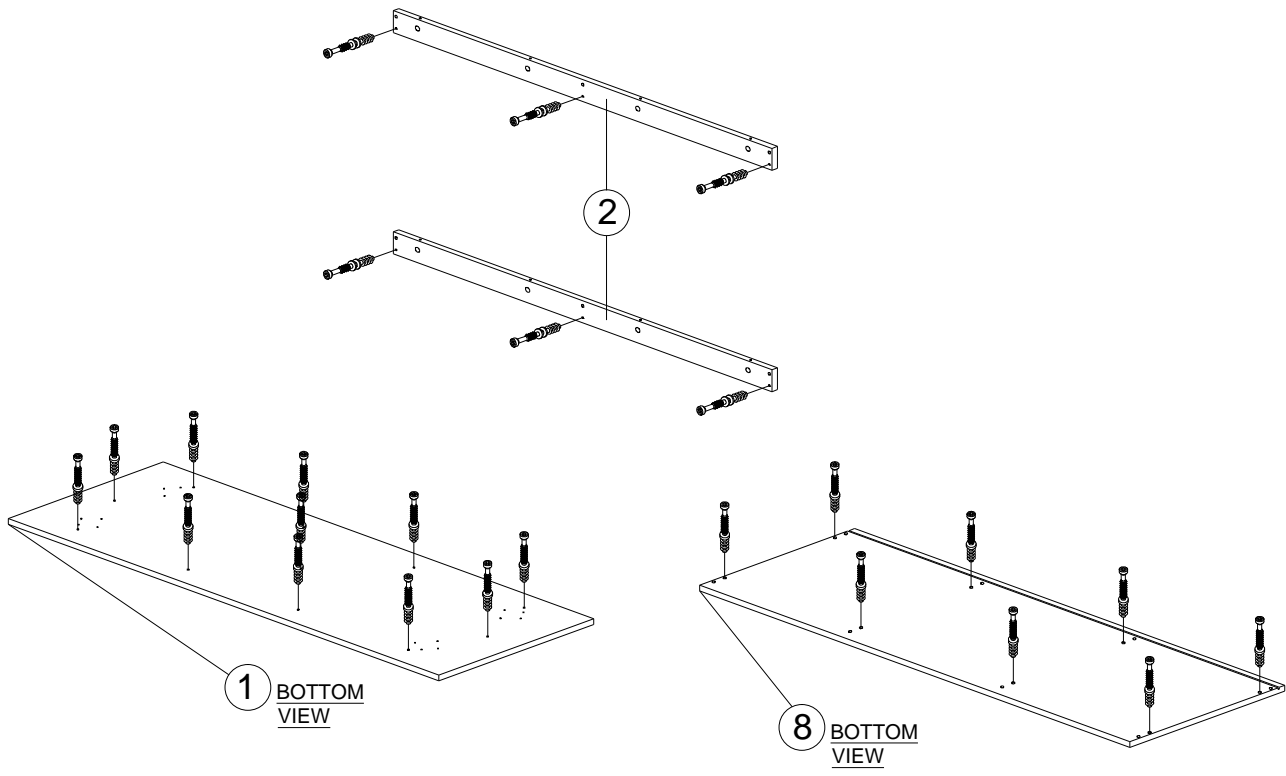
# STEP 1

D		WOOD DOWEL 8 X 25	22
---	---	-------------------	----



# STEP 2

B		CAM BOLT	25
---	---	----------	----

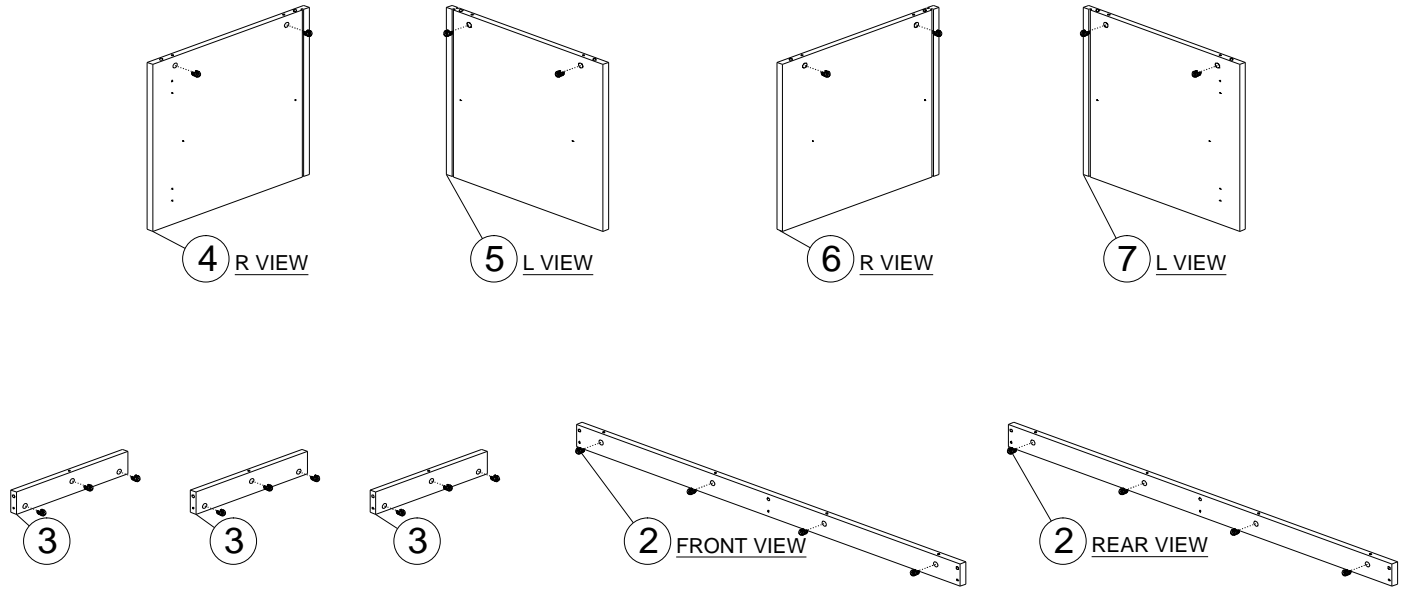


THE USE OF POWER TOOLS TO ASSEMBLE THIS PRODUCT WILL INVALIDATE ANY CLAIM AND MAY DAMAGE THIS PRODUCT MAKING IT UNSAFE.

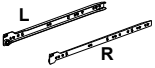
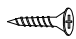


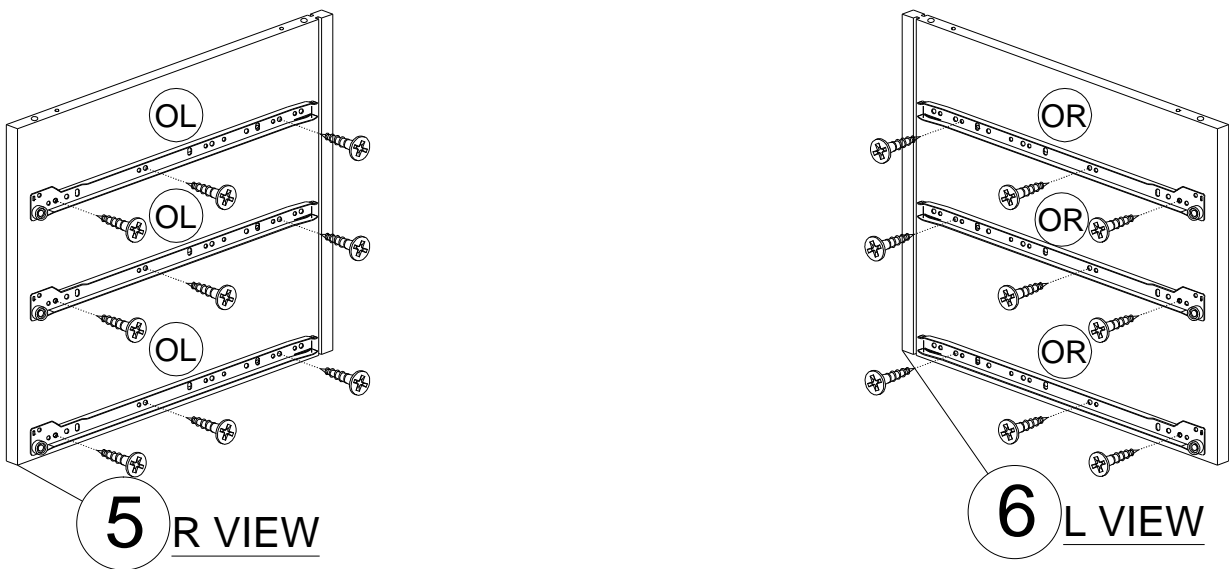
# STEP 3

A	 <b>CAM NUT 15MM</b>	<b>25</b>
---	--	-----------



# STEP 4

O	 <b>DRAWER SLIDE 14"</b>	<b>3</b>
H	 <b>CB SCREW M3.5 X 16MM</b>	<b>18</b>

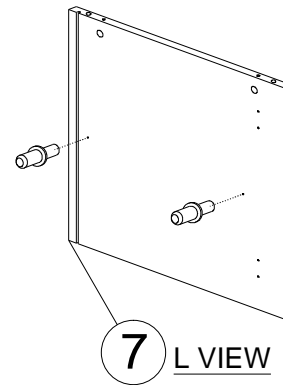
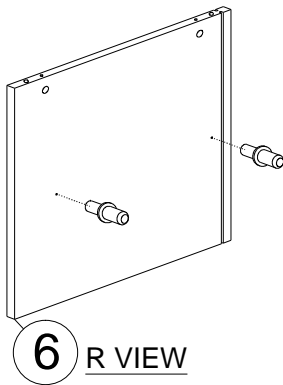
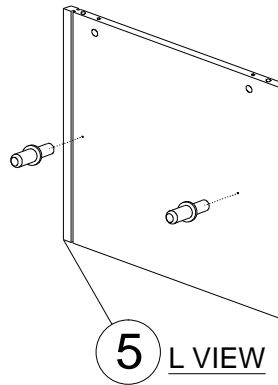
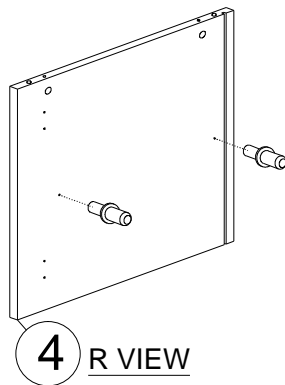


**THE USE OF POWER TOOLS TO ASSEMBLE THIS PRODUCT WILL INVALIDATE ANY CLAIM AND MAY DAMAGE THIS PRODUCT MAKING IT UNSAFE.**

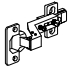
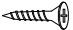


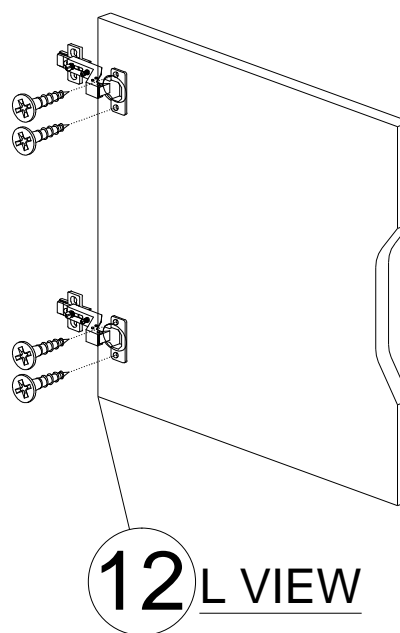
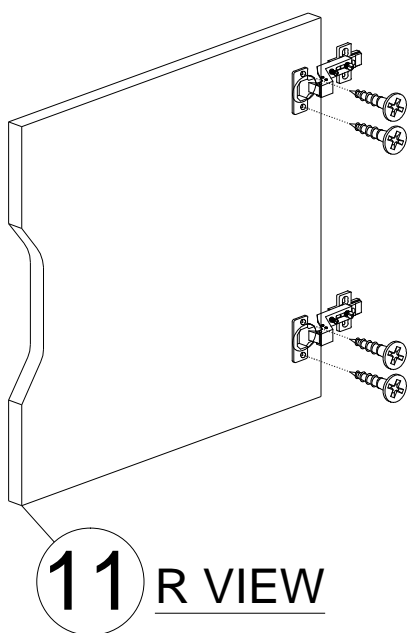
# STEP 5

L		SHELF SUPPORT	8
---	---	---------------	---



# STEP 6

K		HINGES 7/8	4
H		CB SCREW M3.5 X 16MM	8

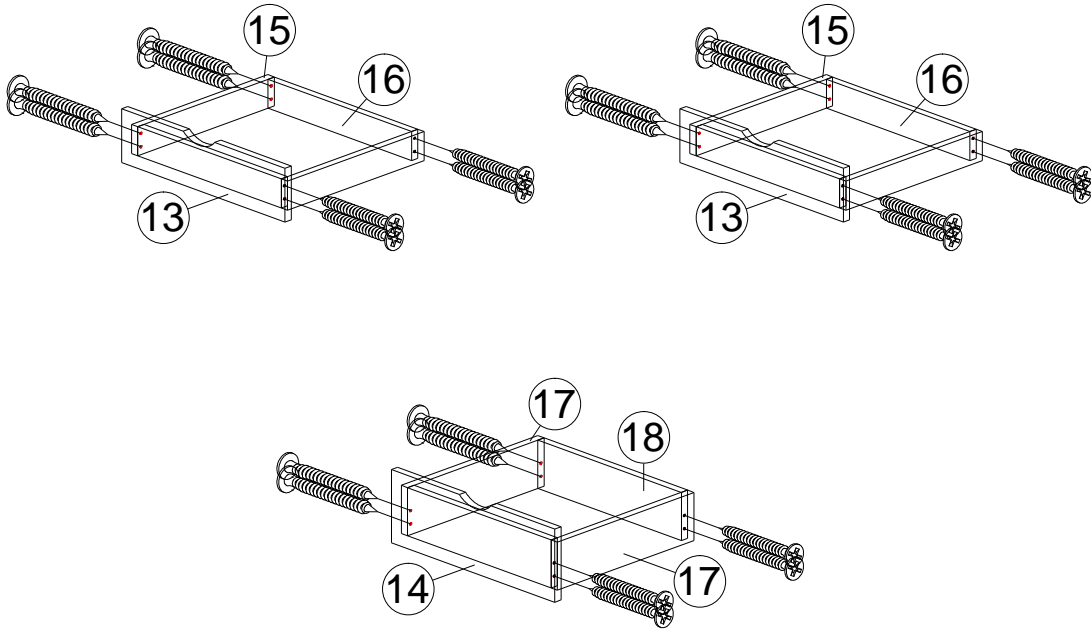


THE USE OF POWER TOOLS TO ASSEMBLE THIS PRODUCT WILL INVALIDATE ANY CLAIM AND MAY DAMAGE THIS PRODUCT MAKING IT UNSAFE.



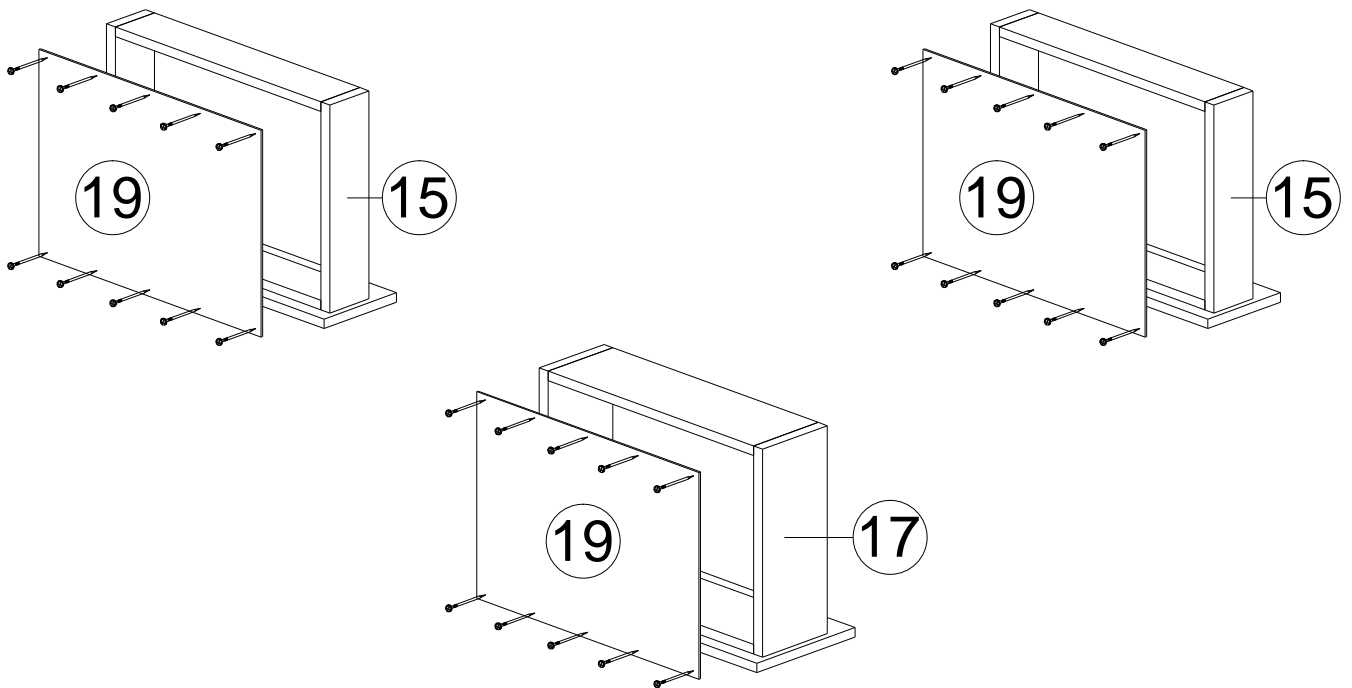
# STEP 7

J		CB SCREW M4 X 38MM	24
---	---	--------------------	----



# STEP 8

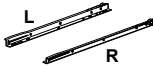
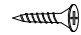
F		NAIL 5/8	30
---	---	----------	----

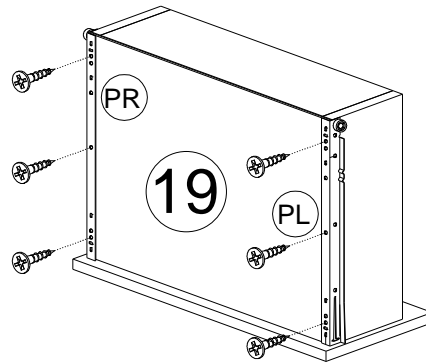
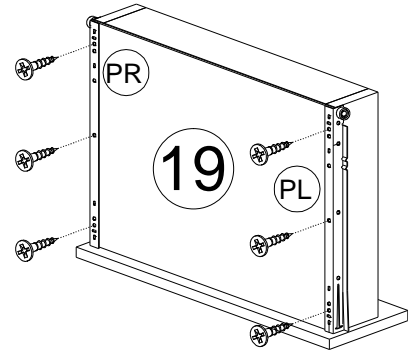
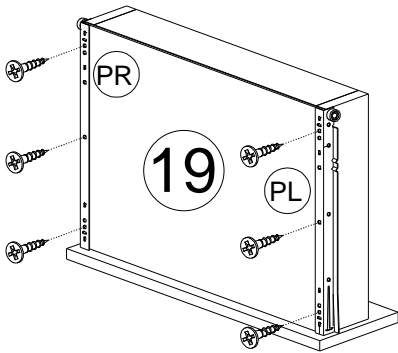


THE USE OF POWER TOOLS TO ASSEMBLE THIS PRODUCT WILL INVALIDATE ANY CLAIM AND MAY DAMAGE THIS PRODUCT MAKING IT UNSAFE.



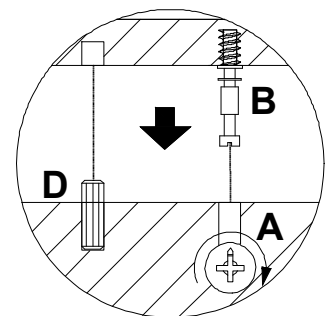
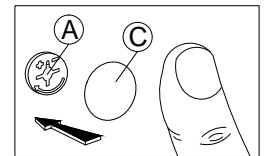
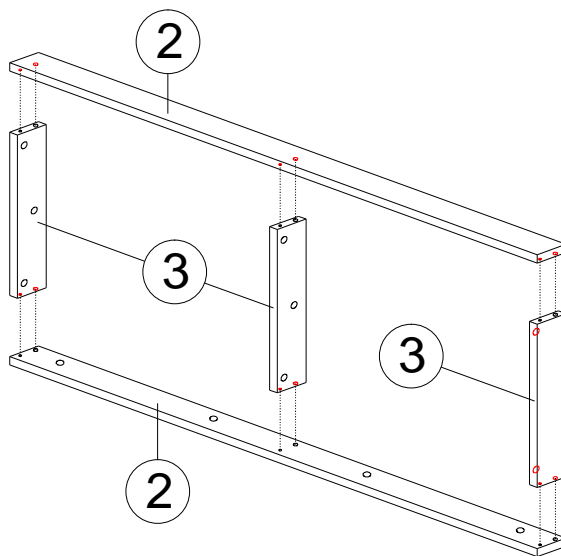
# STEP 9

P	 L R	<b>DRAWER SLIDE 14"</b>	<b>3</b>
H		<b>CB SCREW M3.5 X 16MM</b>	<b>18</b>



# STEP 10

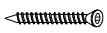
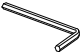
C		<b>CAM CAP</b>	<b>6</b>
---	---	----------------	----------

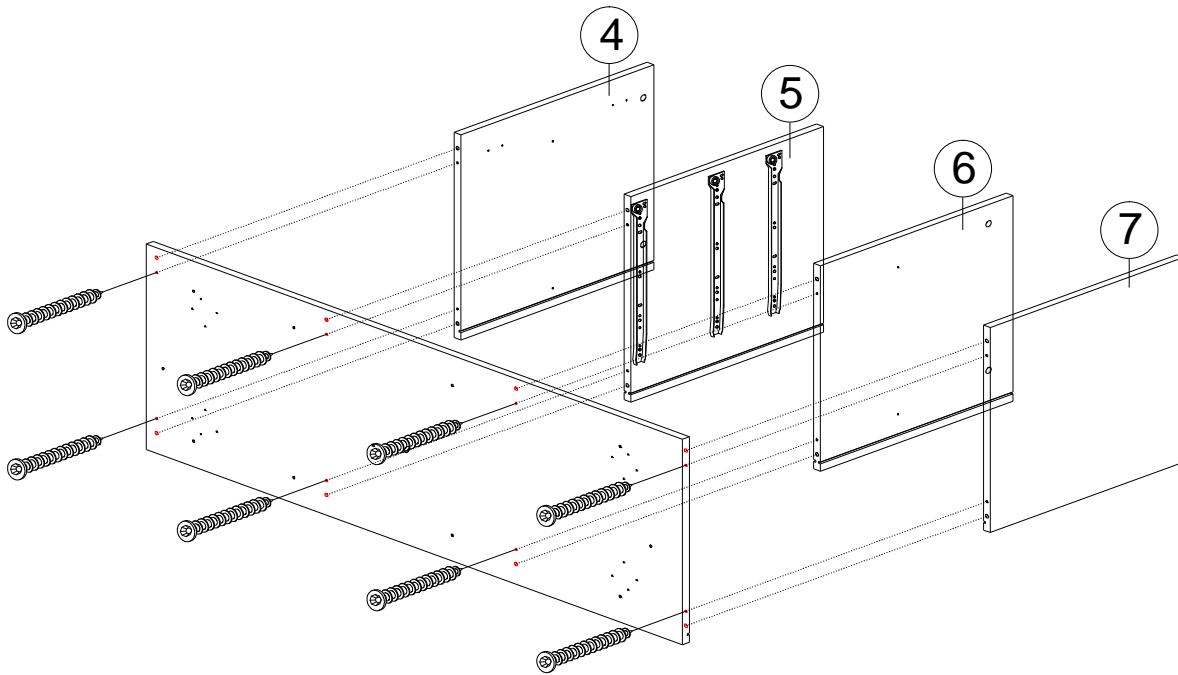


THE USE OF POWER TOOLS TO ASSEMBLE THIS PRODUCT WILL INVALIDATE ANY CLAIM AND MAY DAMAGE THIS PRODUCT MAKING IT UNSAFE.



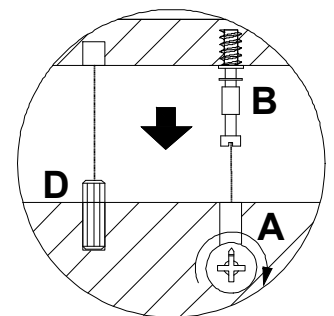
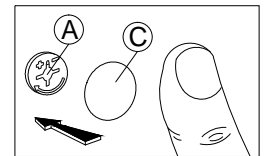
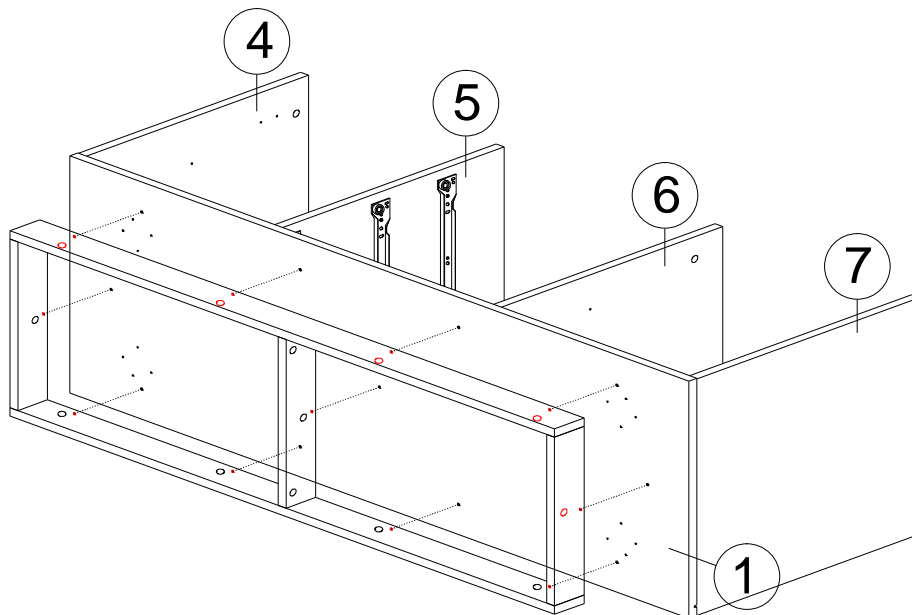
## STEP 11

E		CSK CAP WOOD M6 X 50MM	8
G		L KEY (M4)	1



## STEP 12


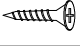
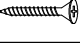

C		CAM CAP	11
---	---	---------	----

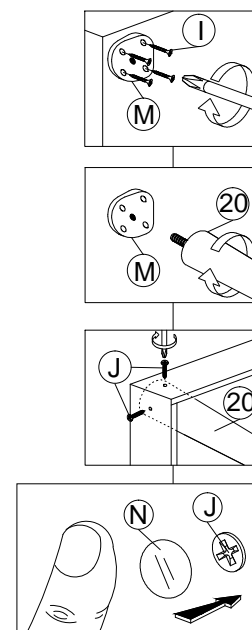
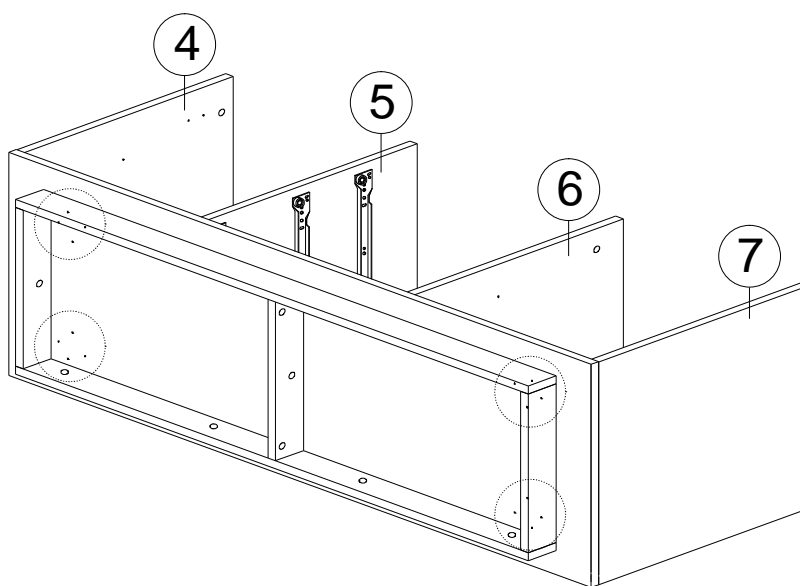


THE USE OF POWER TOOLS TO ASSEMBLE THIS PRODUCT WILL INVALIDATE ANY CLAIM AND MAY DAMAGE THIS PRODUCT MAKING IT UNSAFE.



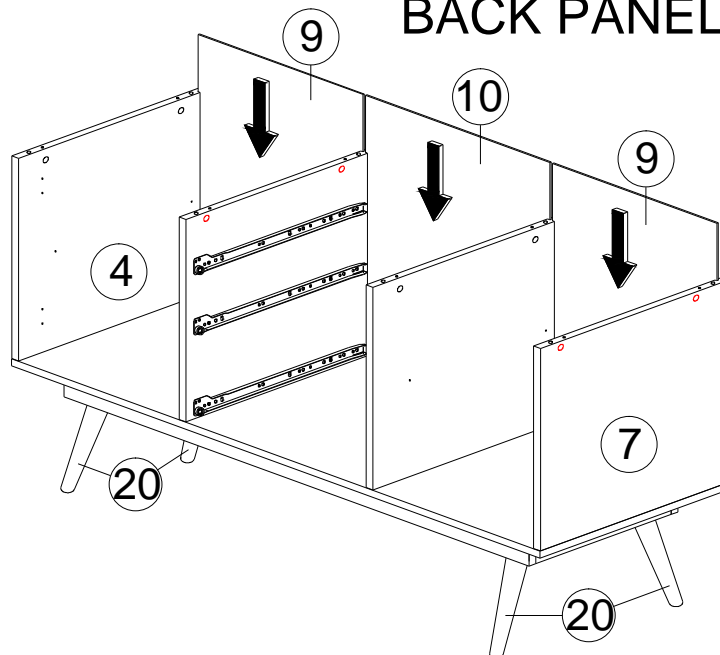
## STEP 13

M		LEG SUPPORT 83	4
I		CB SCREW M4 X 25MM	16
J		CB SCREW M4 X 38MM	8
N		STICKER	8



## STEP 14

SLOT IN  
BACK PANEL

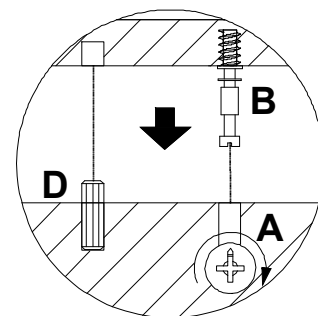
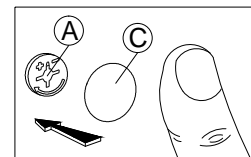
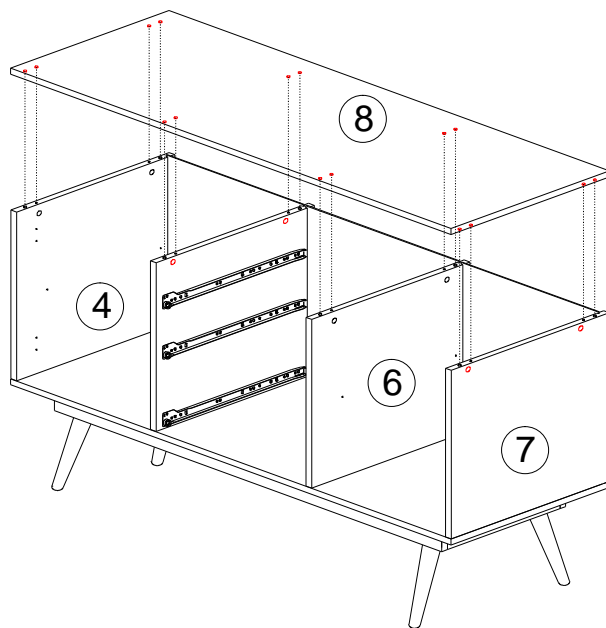


THE USE OF POWER TOOLS TO ASSEMBLE THIS PRODUCT WILL INVALIDATE ANY CLAIM AND MAY DAMAGE THIS PRODUCT MAKING IT UNSAFE.

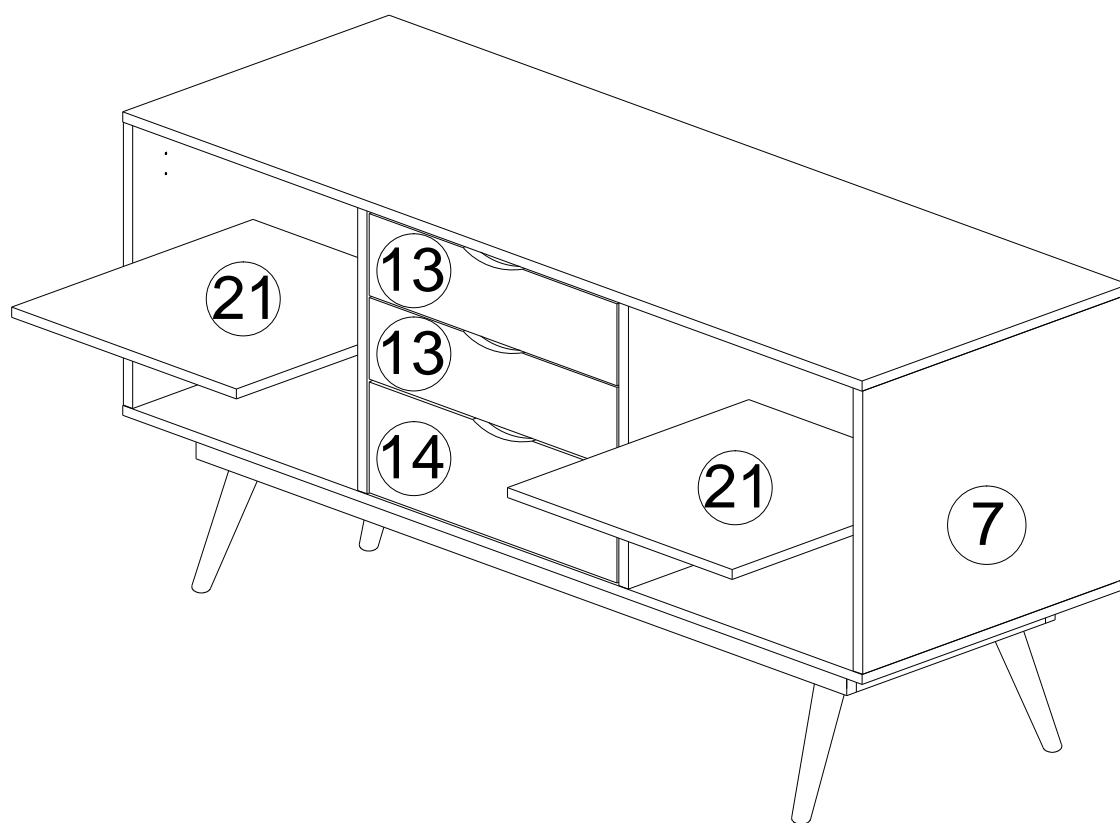


# STEP 15

C		CAM CAP	8
---	---	---------	---



# STEP 16

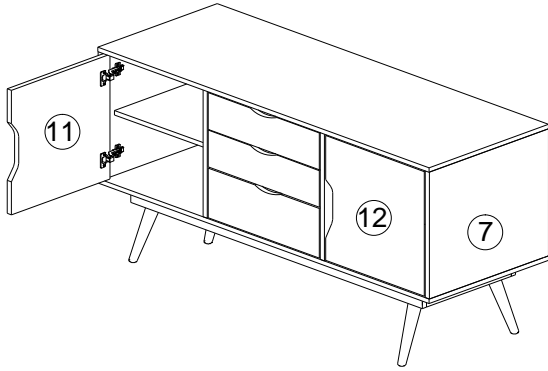


THE USE OF POWER TOOLS TO ASSEMBLE THIS PRODUCT WILL INVALIDATE ANY CLAIM AND MAY DAMAGE THIS PRODUCT MAKING IT UNSAFE.

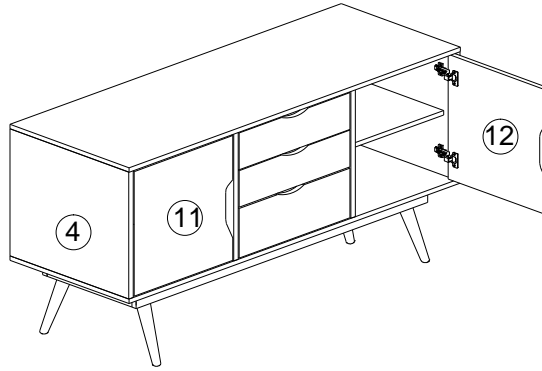


# STEP 17

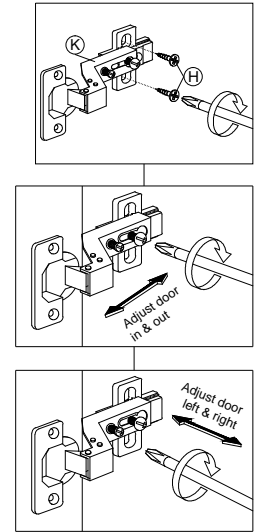
H	 CB SCREW M3.5 X 16MM	8
---	--	---



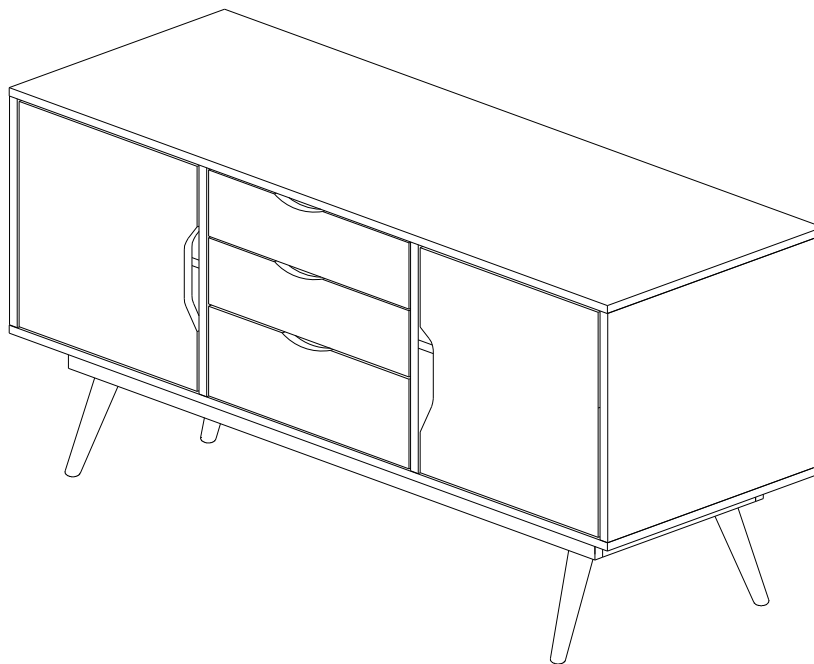
L VIEW



R VIEW

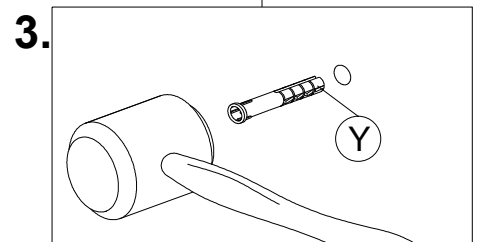
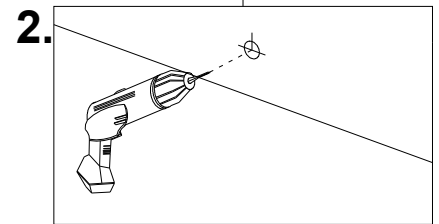
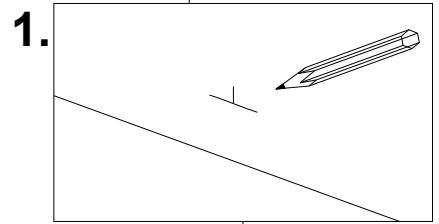
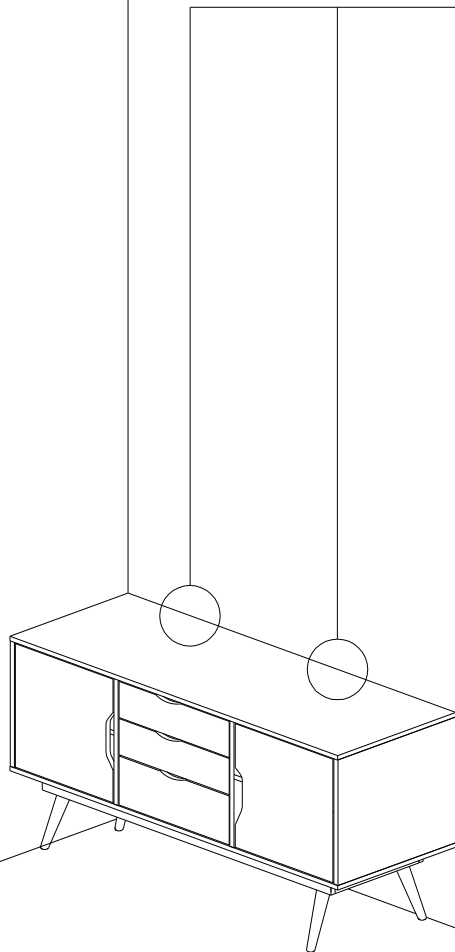


# COMPLETED



THE USE OF POWER TOOLS TO ASSEMBLE THIS PRODUCT WILL INVALIDATE ANY CLAIM AND MAY DAMAGE THIS PRODUCT MAKING IT UNSAFE.





1. First mark the wall with pencil as in diagram.

2. Drill small hole at the pencil mark.

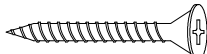
3. Insert plastic wall anchor (Y)

**V**



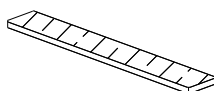
**X 2**

**W**



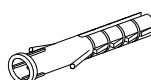
**X 2**

**X**



**X 2**

**Y**

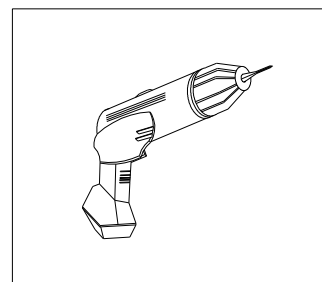


**X 2**

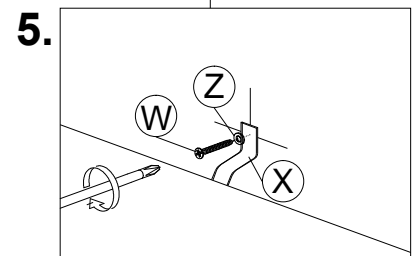
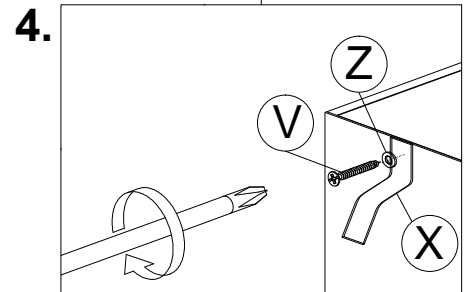
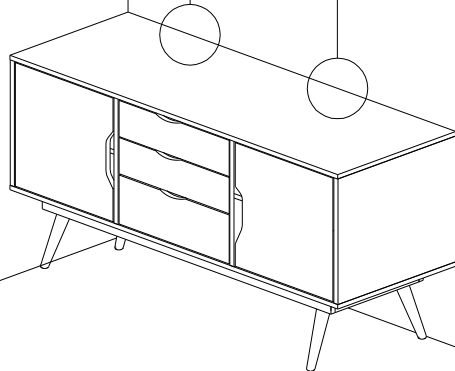
**Z**



**X 4**



**THE USE OF POWER TOOLS TO ASSEMBLE THIS PRODUCT WILL INVALIDATE ANY CLAIM AND MAY DAMAGE THIS PRODUCT MAKING IT UNSAFE.**



4. Add safety strap (X), washer (Z) using 3.5x16mm screw (V) to back of cabinet.

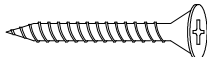
5. Finally, attach safety strap (X) and washer (Z) using 4x38mm screw (W) to the wall

**V**



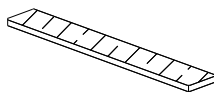
**X 2**

**W**



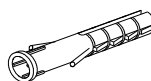
**X 2**

**X**



**X 2**

**Y**

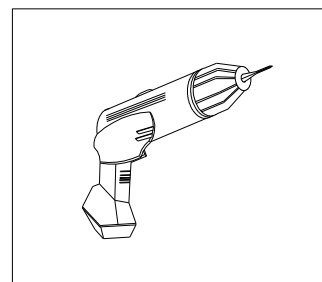


**X 2**

**Z**



**X 4**



THE USE OF POWER TOOLS TO ASSEMBLE THIS PRODUCT WILL INVALIDATE ANY CLAIM AND MAY DAMAGE THIS PRODUCT MAKING IT UNSAFE.