

User's Manual

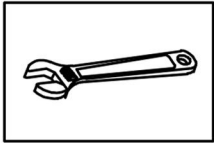


BEFORE INSTALLATION

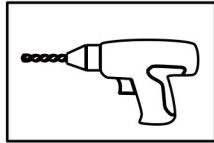
► Notes before installation

1. Please check that all components are present.
2. Before installation ensure that all feed lines are clear of debris and on/off valve is present.
3. Pictures in the manual are general in content and may not represent exactly your purchased faucet.
If you are having difficulties please contact a professional plumber.
4. If you will be away from home for an extended period you should shut off the main water supply.

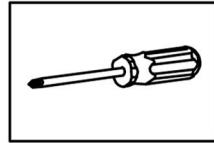
► Recommend Tools And Materials



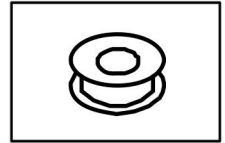
Adjustable Wrench



Impact drill

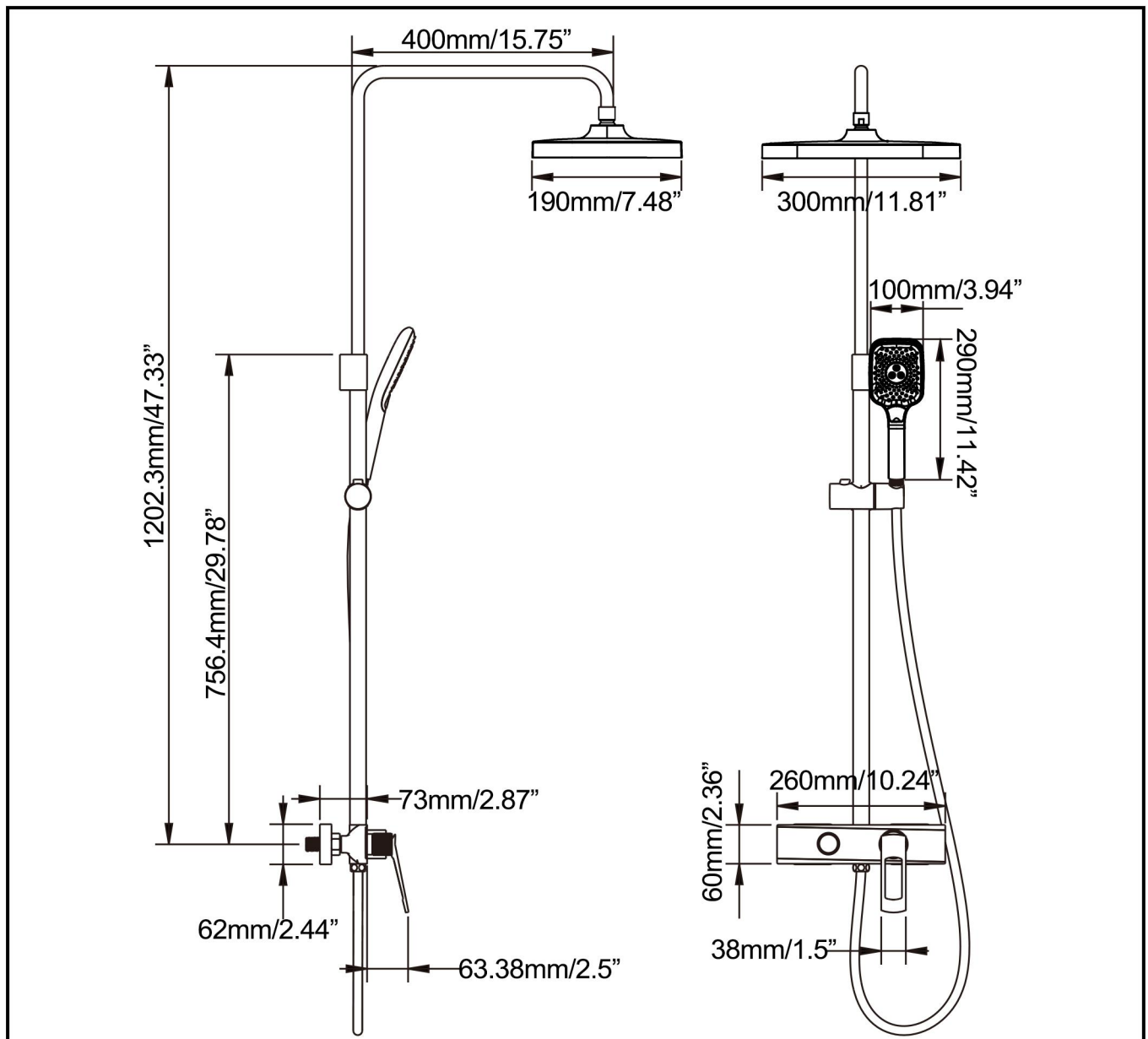


Philips Screwdriver



Pipe Tape

► Installation Dimension

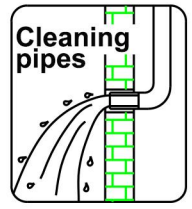


INSTALLATION STEPS

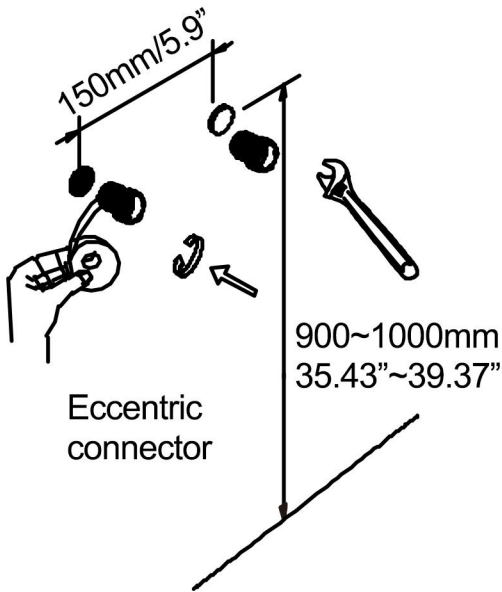
This product has been inspected and debugged by the factory to the best condition. Please do not disassemble and assemble it yourself.



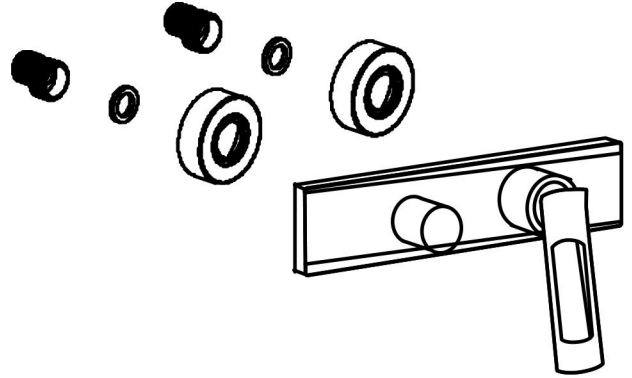
Before installing the product, please be sure to remove sundries and sludge from the water pipe to prevent sundries from blocking the product.



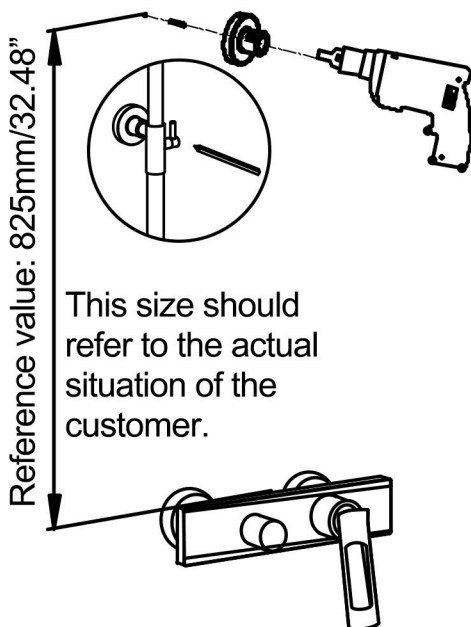
1. The 1/2 threaded joint shall be wrapped with raw material tape and connected with the embedded outlet pipe joint (the distance between the two outlet joints is 150mm, and the distance from the ground is about 900~1000mm, you can install according to your own high requirements.)



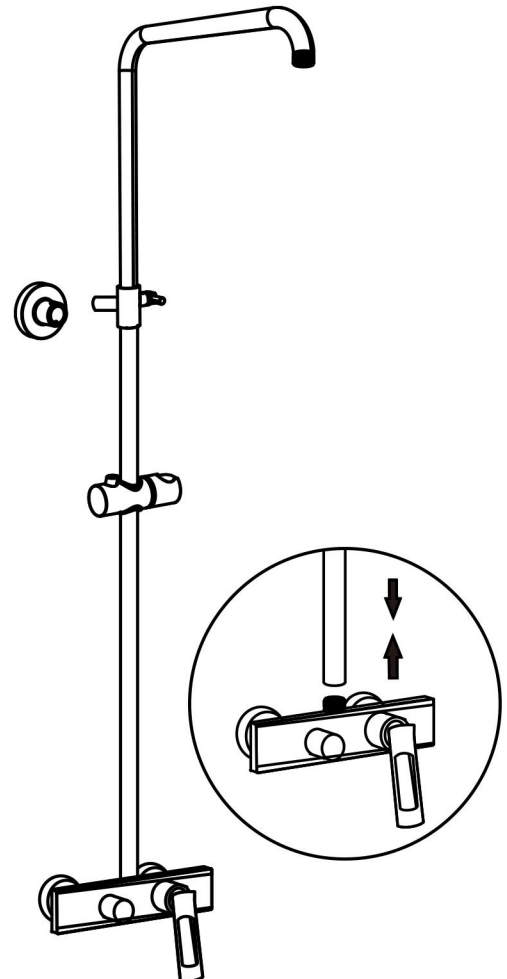
2. First put the flat gasket into the 3/4 nut, then screw the decorative cup into the 3/4 thread, and lock the nut with a wrench.



3. Draw the installation position of the fixed seat with a pencil according to the actual situation during installation, and drill holes with impact drill drive in the expansion rubber nail, fix the fixing seat on the wall with screws.

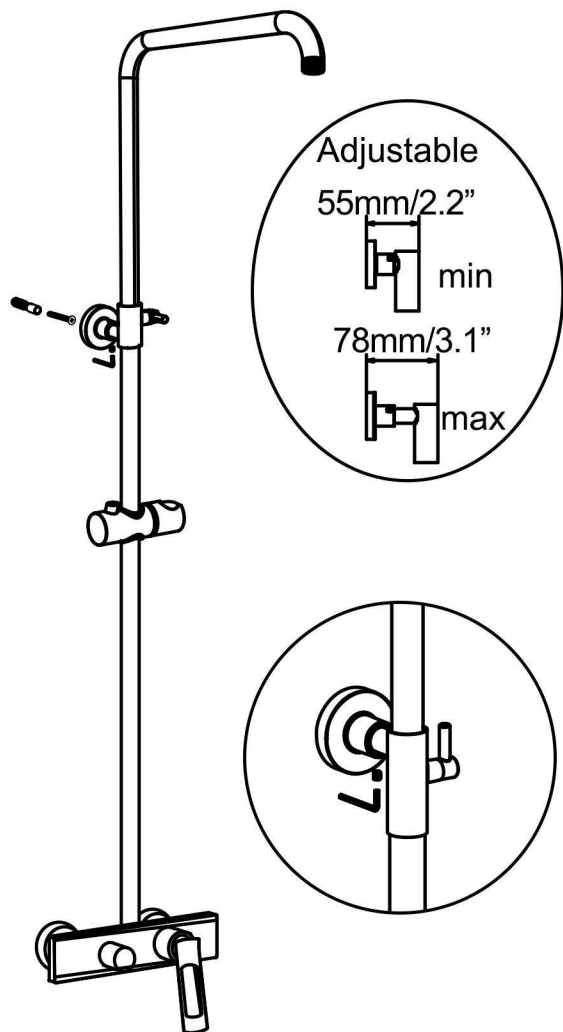


4. Install the 7-shaped tube onto the main body, And adjust the height of the 7-shaped tube and the distance from the wall and lock it.

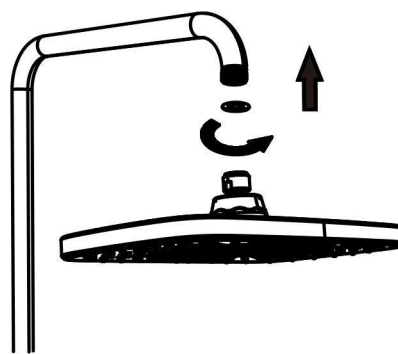


INSTALLATION STEPS

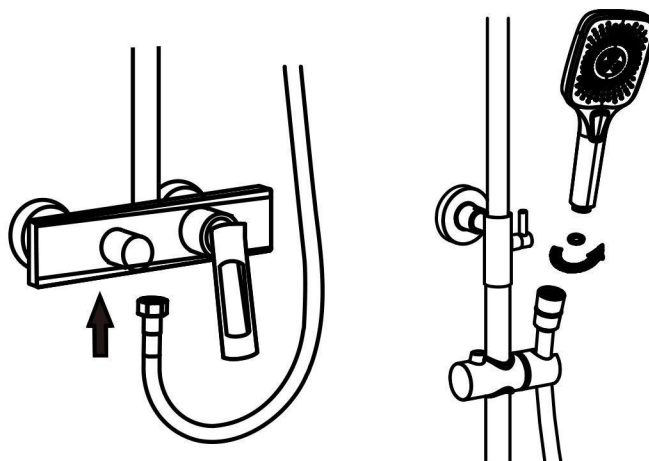
5. Adjust and lock the shower body, Then use a wrench to lock the nuts of the cold and hot water inlet hoses respectively. use the hexagonal key to lock the screws of the fixed base.



6. Install the rain shower head.



7. Finally, connect one end of the hose to the main body and the other end to the hand shower.



CLEANING CARE

In order to keep the appearance of product clean, bright and good performance, please take care of the product as follows;

1. Rinse with water only and dry with soft cotton cloth;
2. Use mild liquid and colorless glass cleaner to remove surface dirt and scale film, or use polish without abrasive effect;
3. Do not use abrasive detergent, polish, emery cloth, paper towel or scraper, etc;
4. Do not use acid cleaner, or cleaner and soap with insoluble gran etc;
5. In the process of use, mud may accumulate in the bubbler and make the water flow show, The bubbler can be unscrewed, rinsed with water, and then installed back in place.



