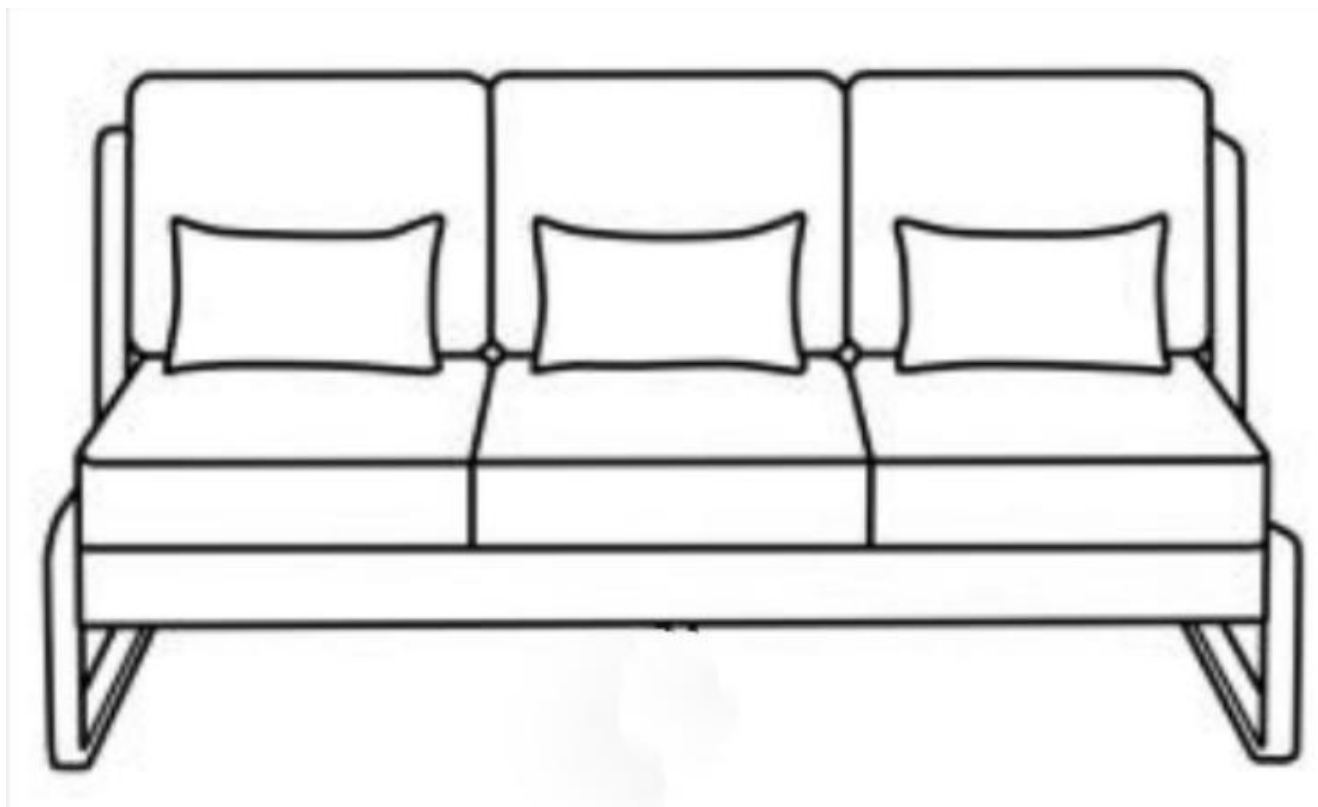


INSTRUCTION MANUAL ENCLOSED

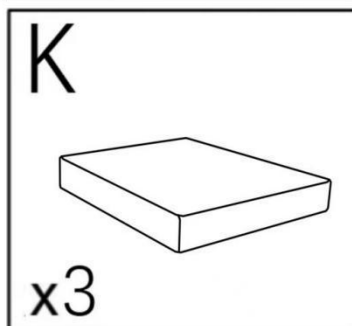
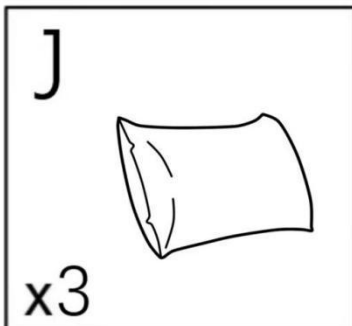
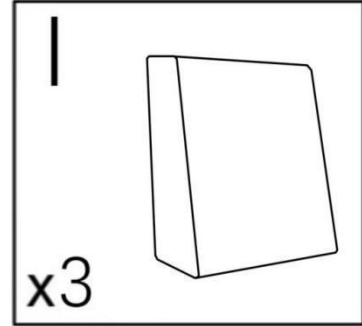
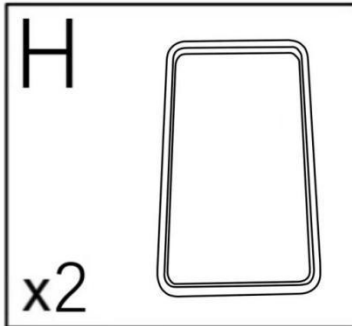
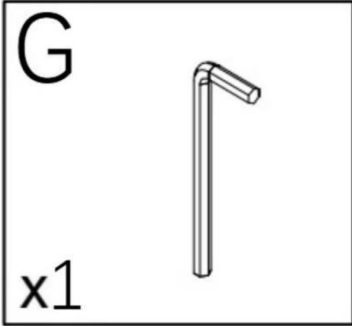
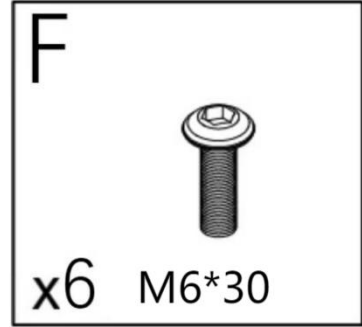
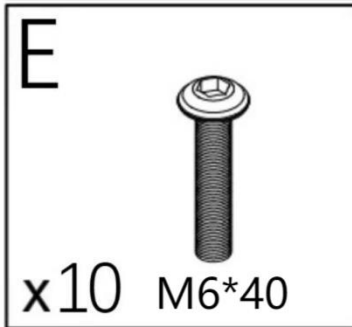
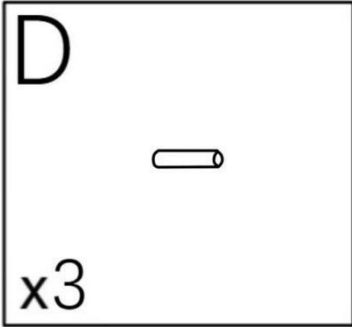
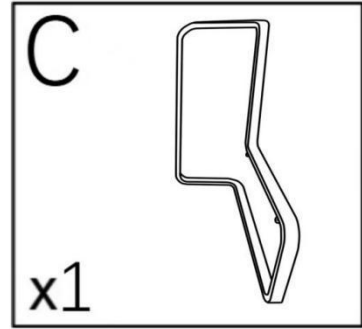
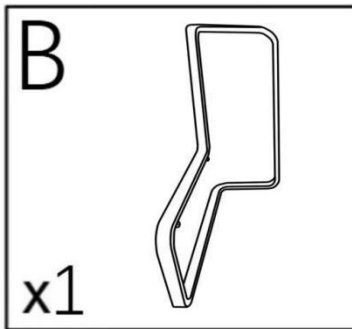
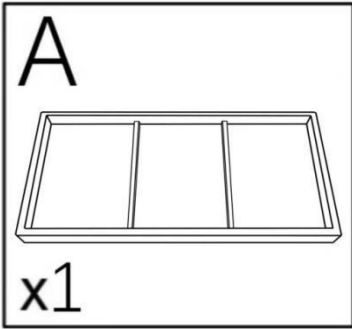
OUTDOOR SOFA

OUTDOOR SOFA ASSEMBLY INSTRUCTION



PARTS LIST

Part	Description	Quantity
	<i>PARTS</i>	
A	Seat plate	1
B	Sofa Back-Right	1
C	Sofa Back-Left	1
H	Sofa Back-Middle	2
K	Seat cushion	3
I	Back cushion	3
J	Lumbar pillow	3
	<i>HARDWARE</i>	
D	Link Pipe	3
E	Bolts M6*40	10
F	Bolts M6*30	6
G	Allen Key	1



PLEASE READ AND FOLLOW ALL SAFETY TIPS

GETTING STARTED

1. Before assembly, CAREFULLY use scissors or utility knife to cut and unwrap all parts. Make sure you do not discard the hardware.
2. Make sure that you have all the parts listed. If you are missing any parts, please email Customer Service:

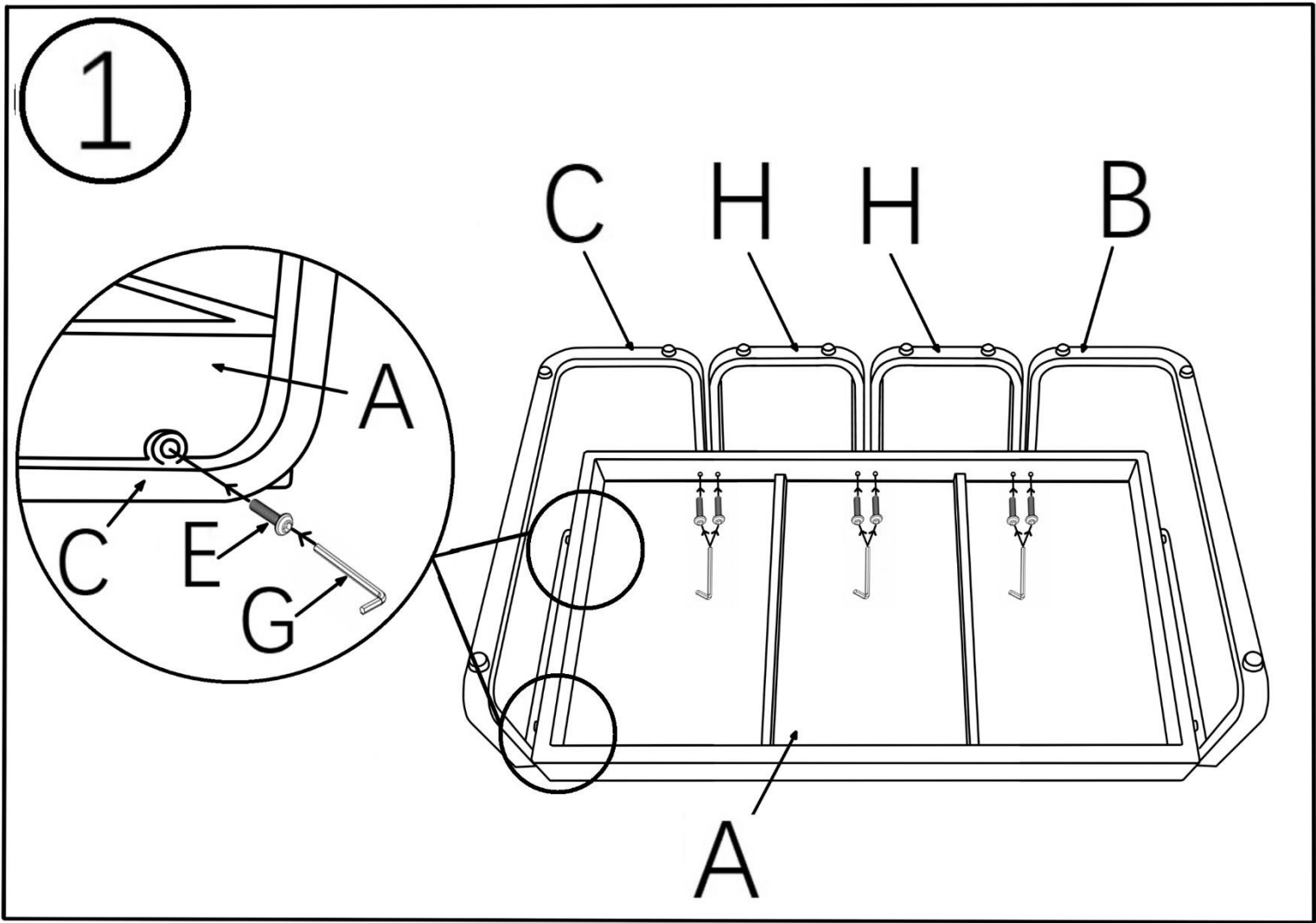
Please identify the parts you need and model number. Make sure to include your name and address.

3. Please include your **Order Number** and **platform of purchase** in the email subject, and one of our customer service representative will get back to you.

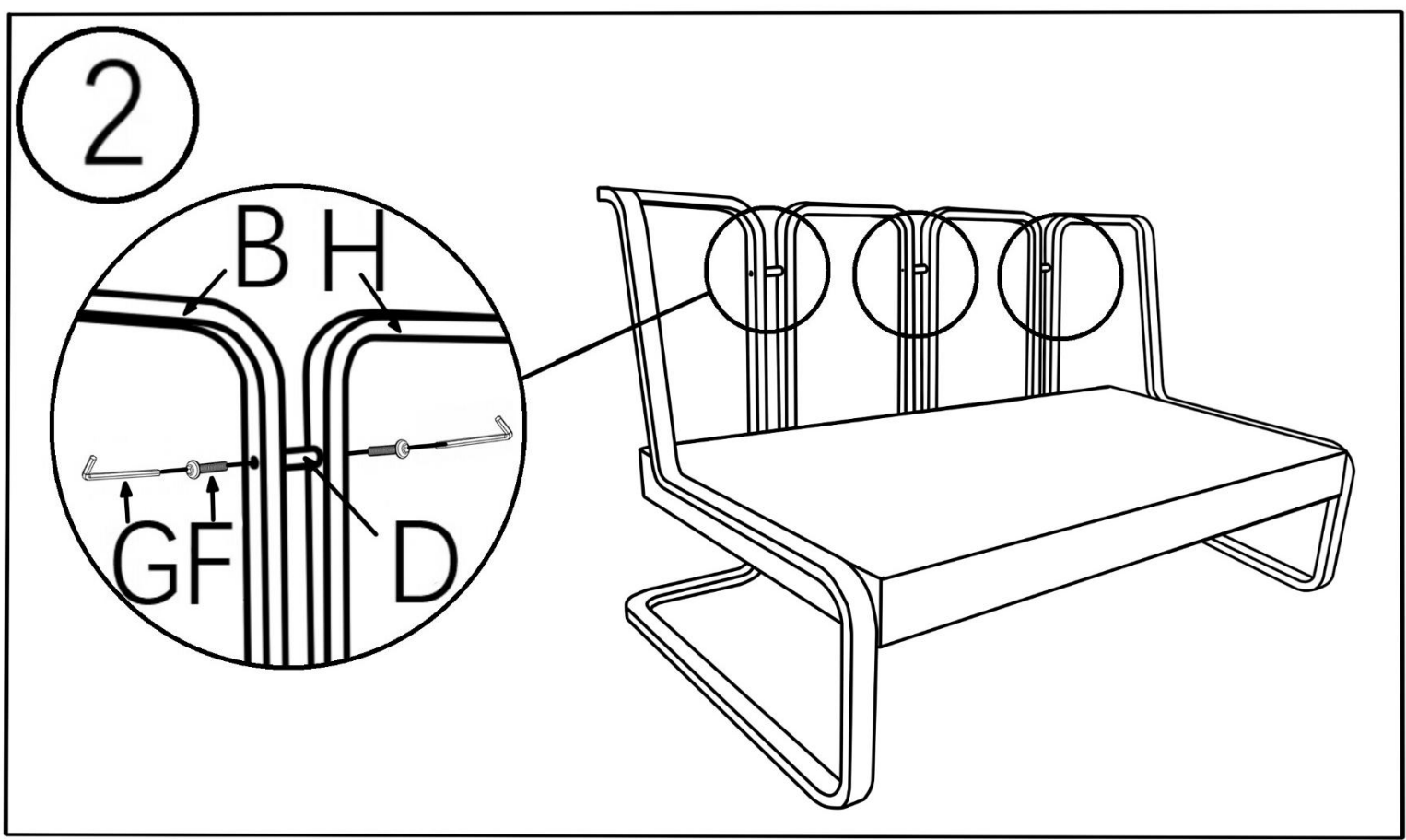
Warm Tips:

1. The plastic covers on some metal parts are just for product protection. Please remove it before assembly.
2. Please follow the sequence of AI during assembly.
3. Do not tighten the screws until all of them are in right positions.

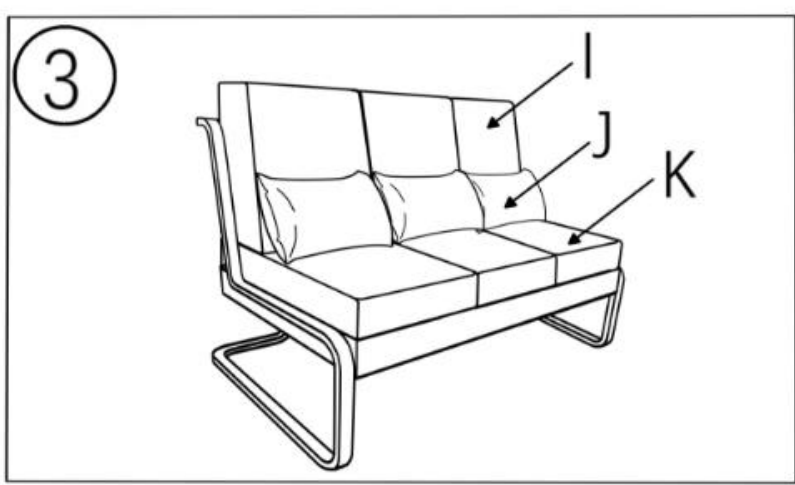
1. Position Sofa Back-Right (B), Sofa Back-Left (c) and Sofa Back-Middle (H)to the seat plate (A) by the pre-drilled threads. Use Allen Key(G) to fasten Bolts(E). Each Sofa Back-Middle should have 2 bolts fastened. Sofa Sofa Back-Right (B) should have 3 bolts fastened. Sofa Back-Left (C) should have 3 bolts fastened. (Photo 1)



2. Position Link Pipe(D) between each sofa back by the pre-drilled threads. Use Allen Key(G) to fasten Bolts(F). Each Link Pipe should have 2 bolts fastened. (Photo 2)



3. Place Back Cushion (I) & Pillow (J) and Seat cushion (K) on the assembled sofa as shown.



You have completed assembling the furniture – enjoy!

INSTRUCTION MANUAL ENCLOSED

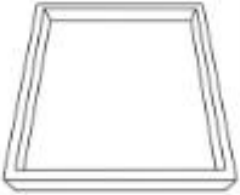
OUTDOOR CHAIR

OUTDOOR CHAIR ASSEMBLY INSTRUCTION



Part	PARTS LIST Description	Quantity
	<i>PARTS</i>	
A	Seat plate	1
B	Right armrest	1
C	Left armrest	1
H	Seat cushion	1
I	Back cushion	1
J	Lumbar pillow	1
	<i>HARDWARE</i>	
D	Link Pipe	1
E	Bolts M6*40	6
F	Bolts M6*30	2
G	Allen Key	1

A



x1

B



x1

C



x1

D



x1

E



x6 M6*40

F



x2 M6*30

G



x1

H



x1

I



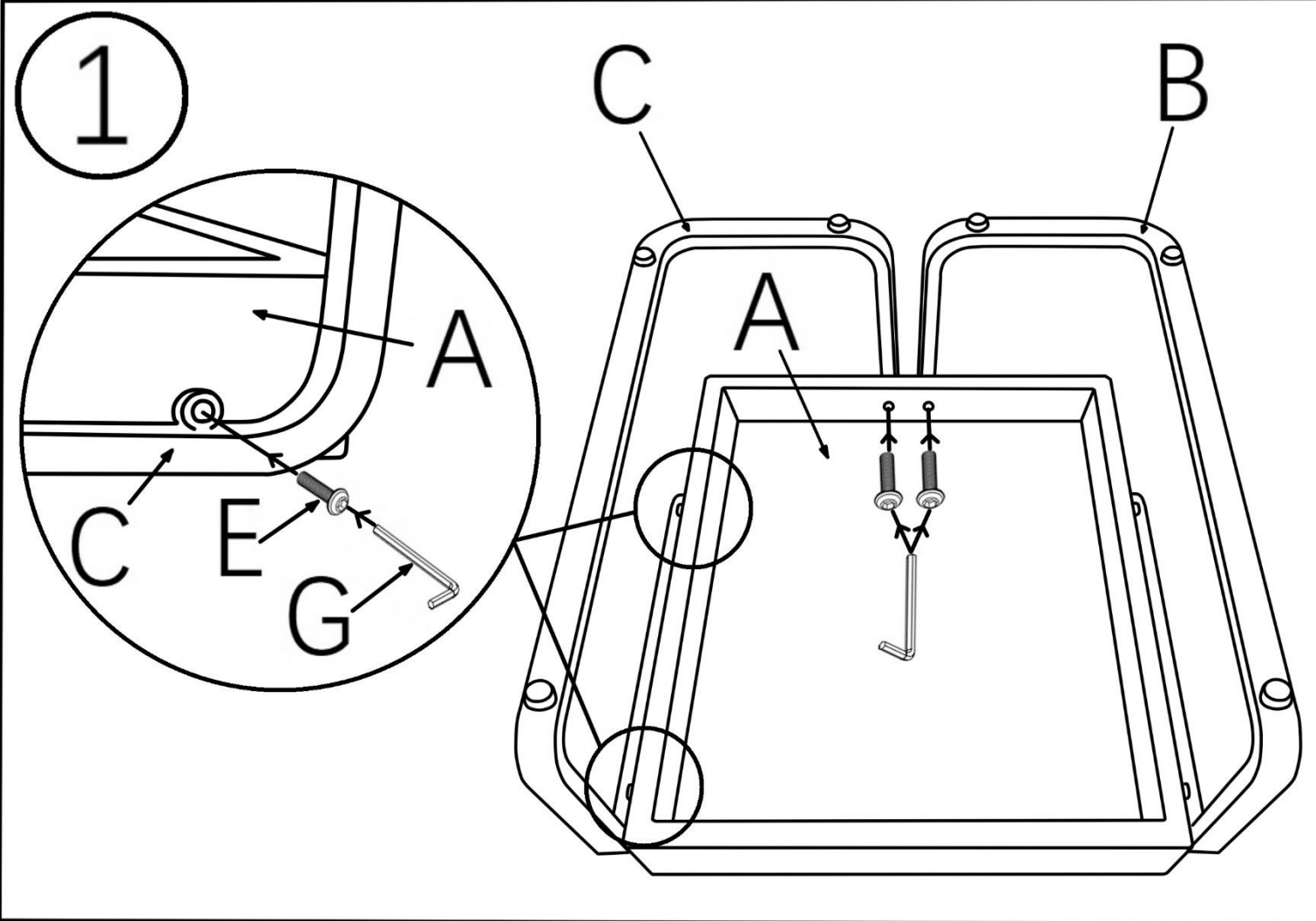
x1

J

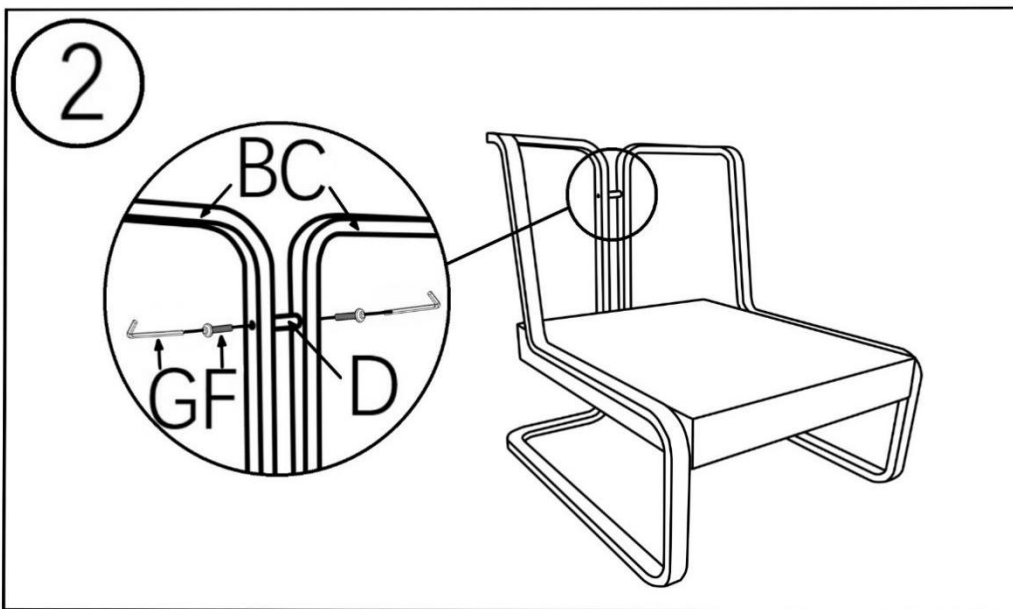


x1

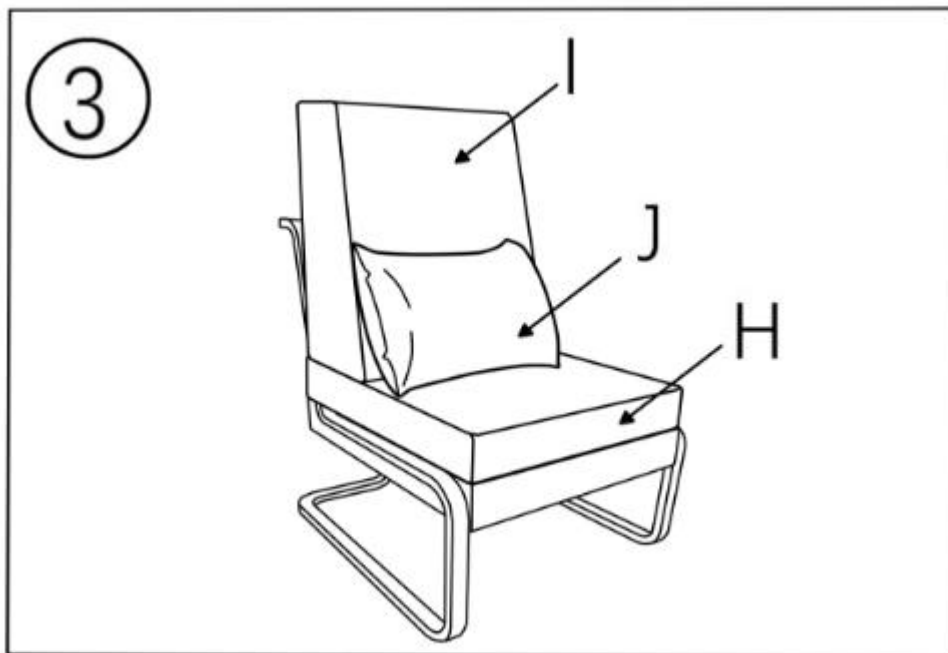
1.Position left armrest(C) and right armrest(B) to the seat plate (A) by the pre-drilled threads. Use Allen Key(G) to fasten Bolts(E). Each armrest should have 3 bolts fastened. (Photo 1)



2.Position Link Pipe(D) between left armrest(C) and right armrest(B) by the pre-drilled threads. Use Allen Key(G) to fasten Bolts(F). Link Pipe should have 2 bolts fastened. (Photo 2)



3. Place Back Cushion (I) & Pillow (J) and Seat cushion (H) on the assembled chair as shown.

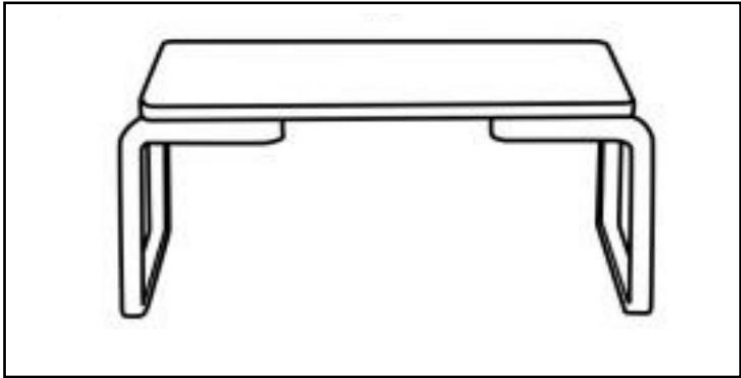


You have completed assembling the furniture – enjoy!

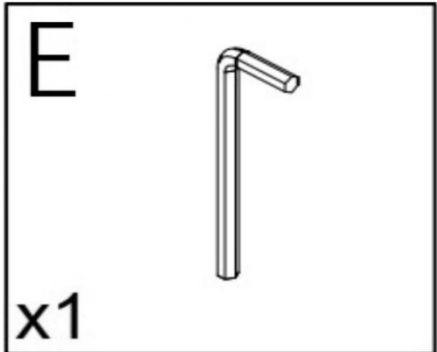
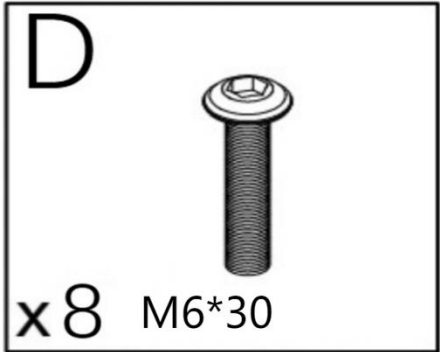
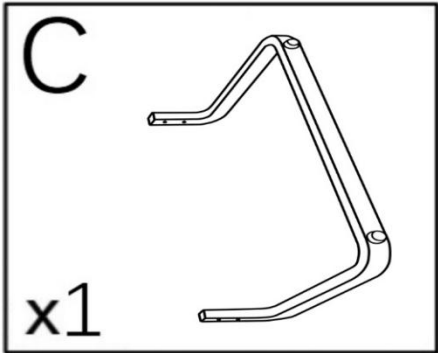
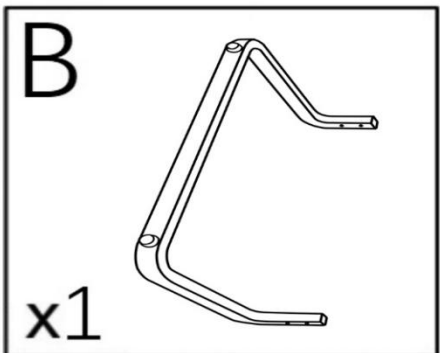
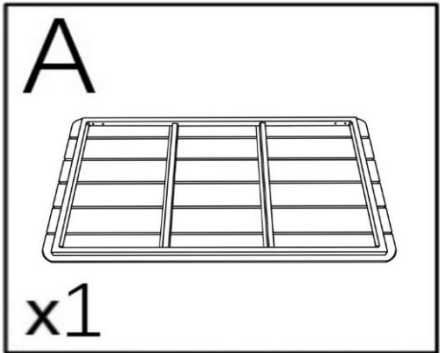
INSTRUCTION MANUAL ENCLOSED

OUTDOOR COFFEE TABLE

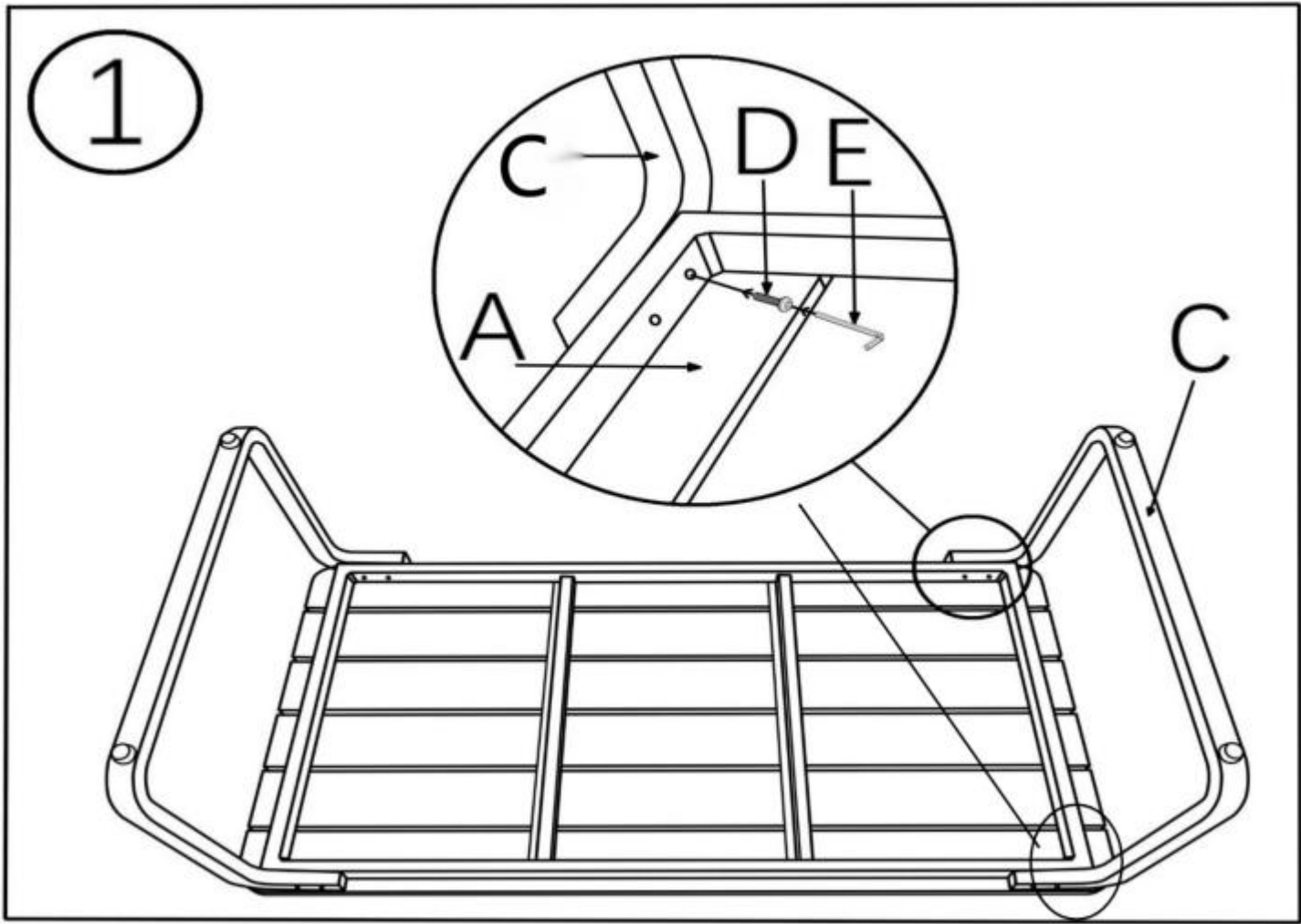
OUTDOOR COFFEE TABLE ASSEMBLY INSTRUCTION



Part	PARTS LIST Description	Quantity
A	<i>PARTS</i> Table Top	1
B	Left Feet	1
C	Right Feet	1
D	<i>HARDWARE</i> Bolts M6*30	8
E	Allen Key	1



1. Position Left Foot(B) & Right Foot(C) to the Table Top(A) by the pre-drilled threads. Use Allen Key(E) to fasten Bolts(D) . Each foot should have 4 bolts fastened. (Photo 1)



You have completed assembling the furniture – enjoy!