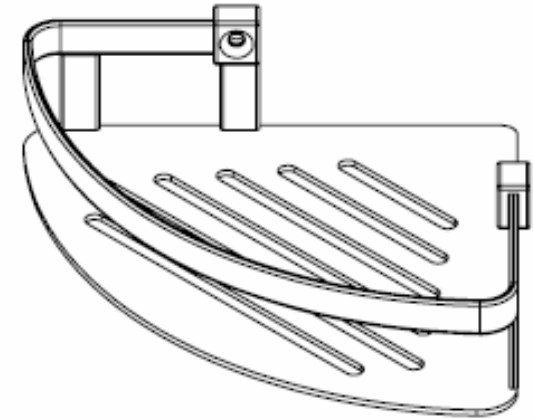
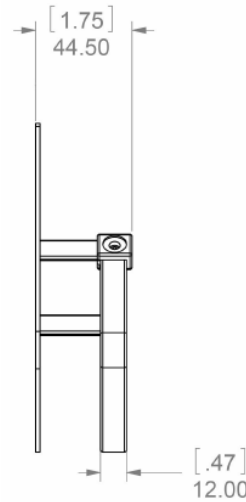
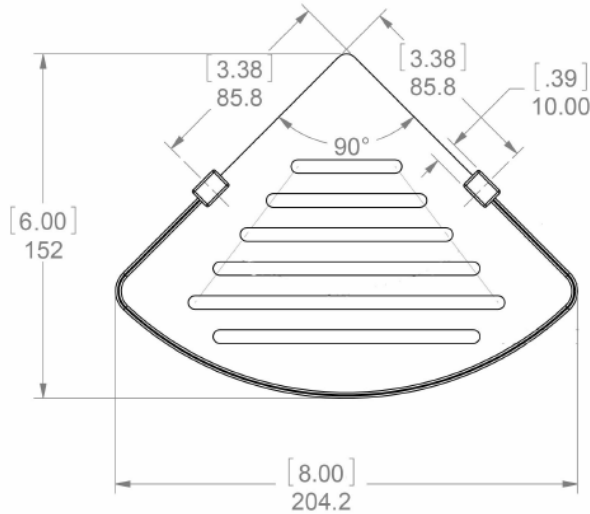


Preferred Bath Accessories Inc.  
1031 E Mountain St. Kernersville, NC 27284  
PH: 888-315-8816 FAX: 866-496-8122  
www.preferredbathinc.com



308-xx Corner Soap/Amenities 8" Basket  
Finishes: Bright Polished and Satin Stainless  
TECHNICAL DATA

### No Assembly Required Fully Welded



#### Installation:

Drill two holes to line up with the above measurements. Attach using the stainless steel wood screws. Silicon washers help secure the shelf to any type of surface material.

#### Materials:

- 1 - Stainless steel corner soap tray
- 2 - Stainless steel mounting screws
- 2 - Silicon washers
- 2 - Wall ancors

(Wood Blocking Preferred)



#### Limited Warranty

Preferred Bath Accessories Inc. warrants to the purchaser that the product will be free from defects in material and workmanship. If the product does not comply with this warranty, Preferred Bath Accessories Inc. will repair or replace the product or, at Preferred Bath Accessories Inc.'s option, refund the purchase price. The limited warranty period is for the lifetime of the product. Limitations on the Warranty: The warranty does not cover, normal wear and tear, product abuse, neglect, improper installation or maintenance. Purchaser Requirements: If this product does not meet Preferred Bath Accessories Inc.'s warranty, return the product (postage prepaid) to the place of purchase with proof of purchase and a written claim briefly describing the defect. You may be required to provide other information or evidence of the defect.