

GLOBAL PROCUREMENT AND MARKETING LIMITED

URBAN SHELF

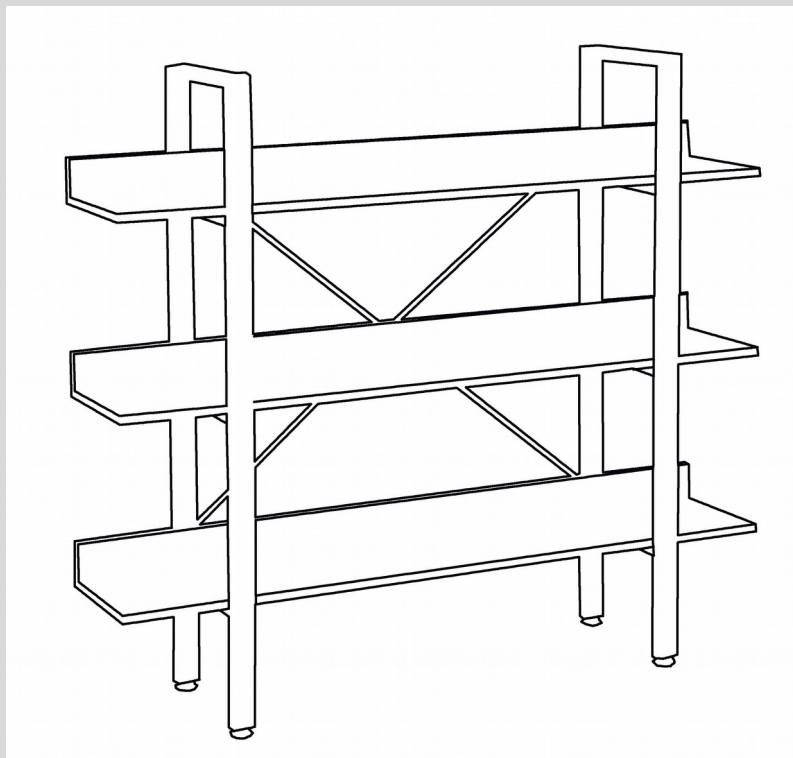
Assembly Instructions – Please keep for future reference


SHFURB3OK

CODE 1

CODE 4

CODE 2



Dimensions	No. people	Assembly Time	OW #
Width: 120 cm Depth: 28 cm Height: 106cm		10mins (approx.)	SHFURB3OK

thank you

For purchasing this
GPM Limited
product

Important – Please read these instructions fully before starting assembly

If you need help or have damaged or missing parts, please email aftersales@gpmfurniture.co.uk

Safety and Care Advice

Important – Please read these instructions fully before starting assembly

- Check you have all the components and tools listed on pages 4 and 5.
- Remove all fittings from the plastic bags and separate them into their groups.
- Keep children and animals away from the work area, small parts could choke if swallowed.
- Make sure you have enough space to lay out the parts before starting.
- Do not stand or put weight on the product, this could cause damage.
- Assemble the item as close to its final position (in the same room) as possible.
- Assemble on a soft, level surface to avoid damaging the unit or your floor.
- We do not recommend the use of power drill/drivers for inserting screws, as this could damage the unit. Only use hand screwdrivers.
- Dispose of all packaging carefully and responsibly.

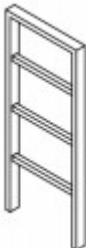





**If you are unhappy with the product and wish to return it,
please follow the retailer's returns procedure.**

Components - Panels

If you have damaged or missing components,
email: aftersales@gpmfurniture.co.uk

Please check that you have all the components listed below before constructing your item.

Part No	Description	Qty	Size (mm)	Thickness (mm)
1		2	1060*280	
2		3	1200*220	
3		3	1200*75	
4		2	1050*10Φ	

Important – Please read these instructions fully before starting assembly





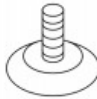

If you need help or have damaged or missing parts, please email aftersales@gpmfurniture.co.uk

Components - Fixings

If you have damaged or missing components,
email: aftersales@gpmfurniture.co.uk

Please check that you have all the components listed below before constructing your item.

Note: The quantities below are the correct amount to complete the assembly. In some cases more fittings may be supplied than are required.

(A)	 6*30mm 12pcs	(B)	 6*10mm 5pcs	(C)	 1pc	(D)	 4*35mm 9pcs
(E)	 4pcs	(F)					

Tools Required



Ruler – Use this to measure your screws (mm)

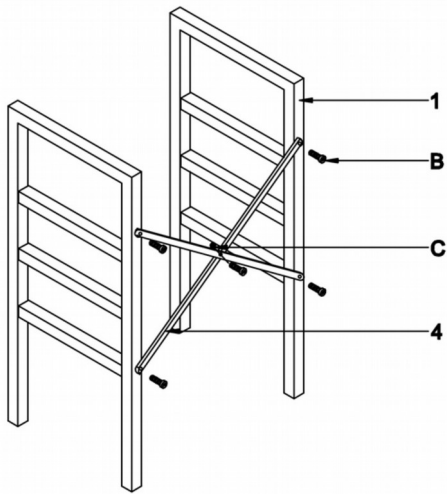
Important – Please read these instructions fully before starting assembly

If you need help or have damaged or missing parts, please email aftersales@gpmfurniture.co.uk

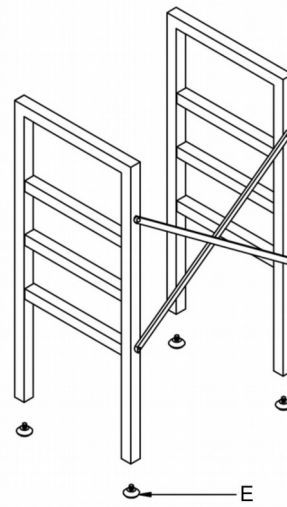
Assembly Instructions

If you have damaged or missing components,
email: aftersales@gpmfurniture.co.uk

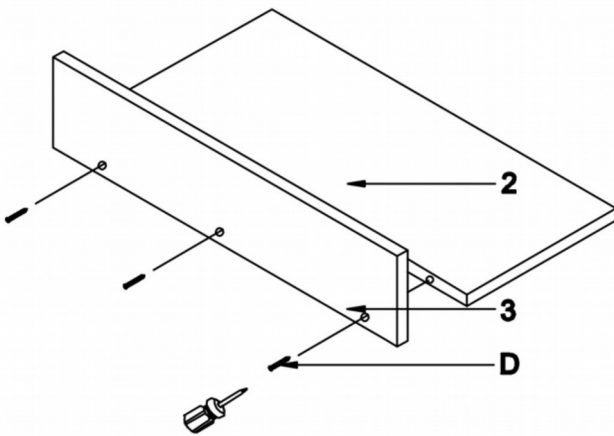
Step 1



Step 2



Step 3



Step 4

