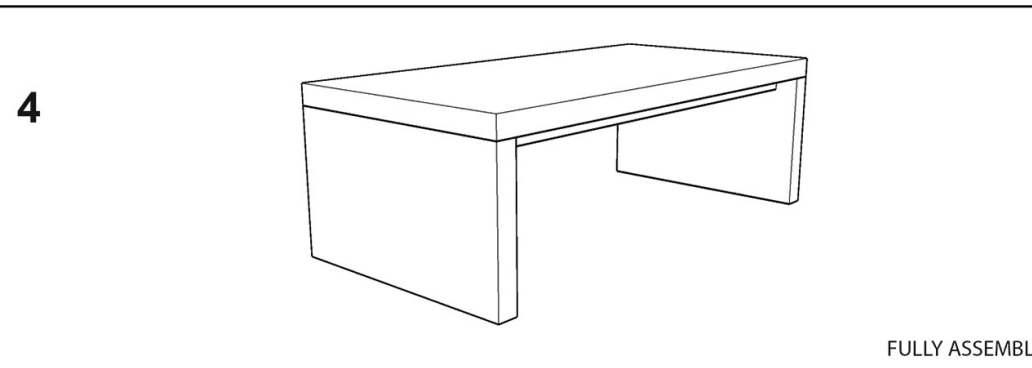
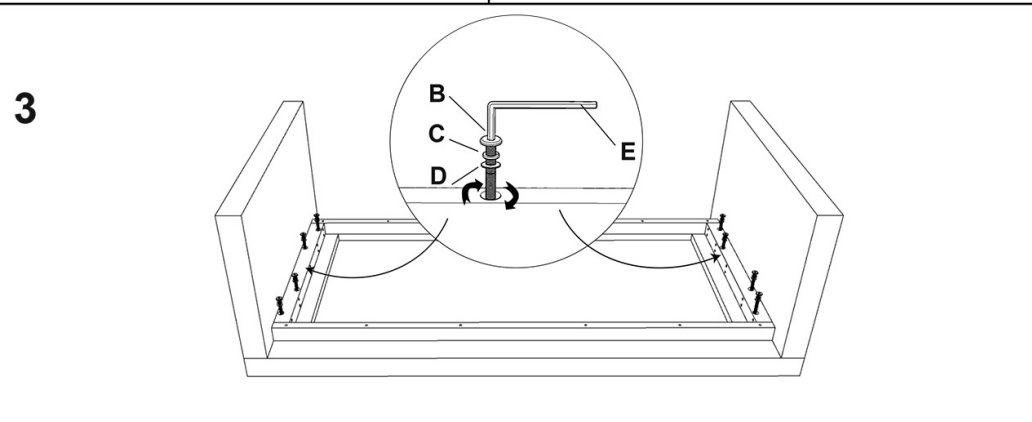
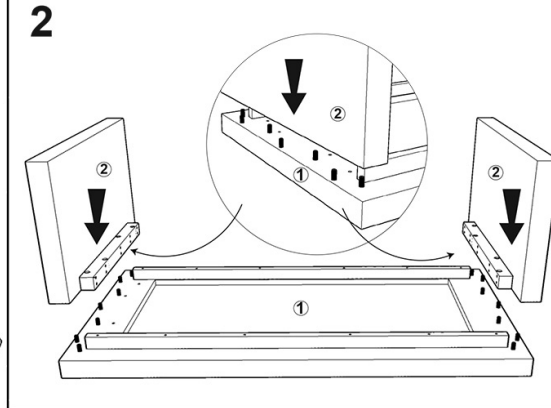
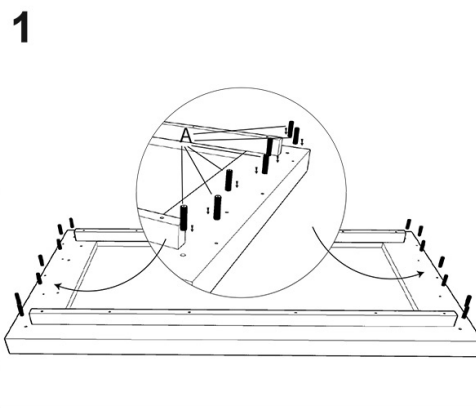


ASSEMBLY INSTRUCTIONS

NO	COMPONENT	QTY
1	TOP PANEL	1 PC
2	LEG	2 PCS

NO	HARDWARE	QTY
A	WOOD DOWEL	14 PCS
B	JCBC BOLT M6X50MM	8 PCS
C	SPRING WASHER	8 PCS
D	FLAT WASHER	8 PCS
E	L-KEY	1 PC



FULLY ASSEMBLE