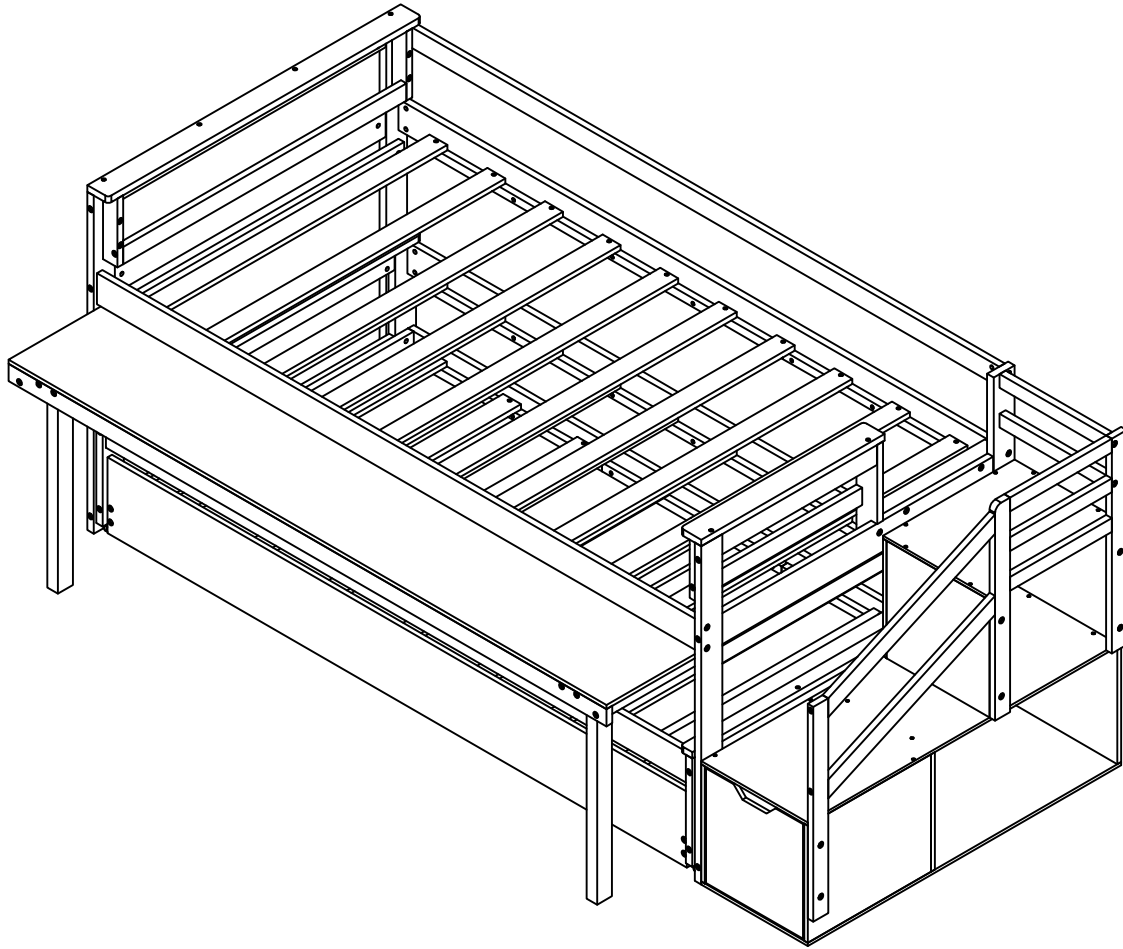
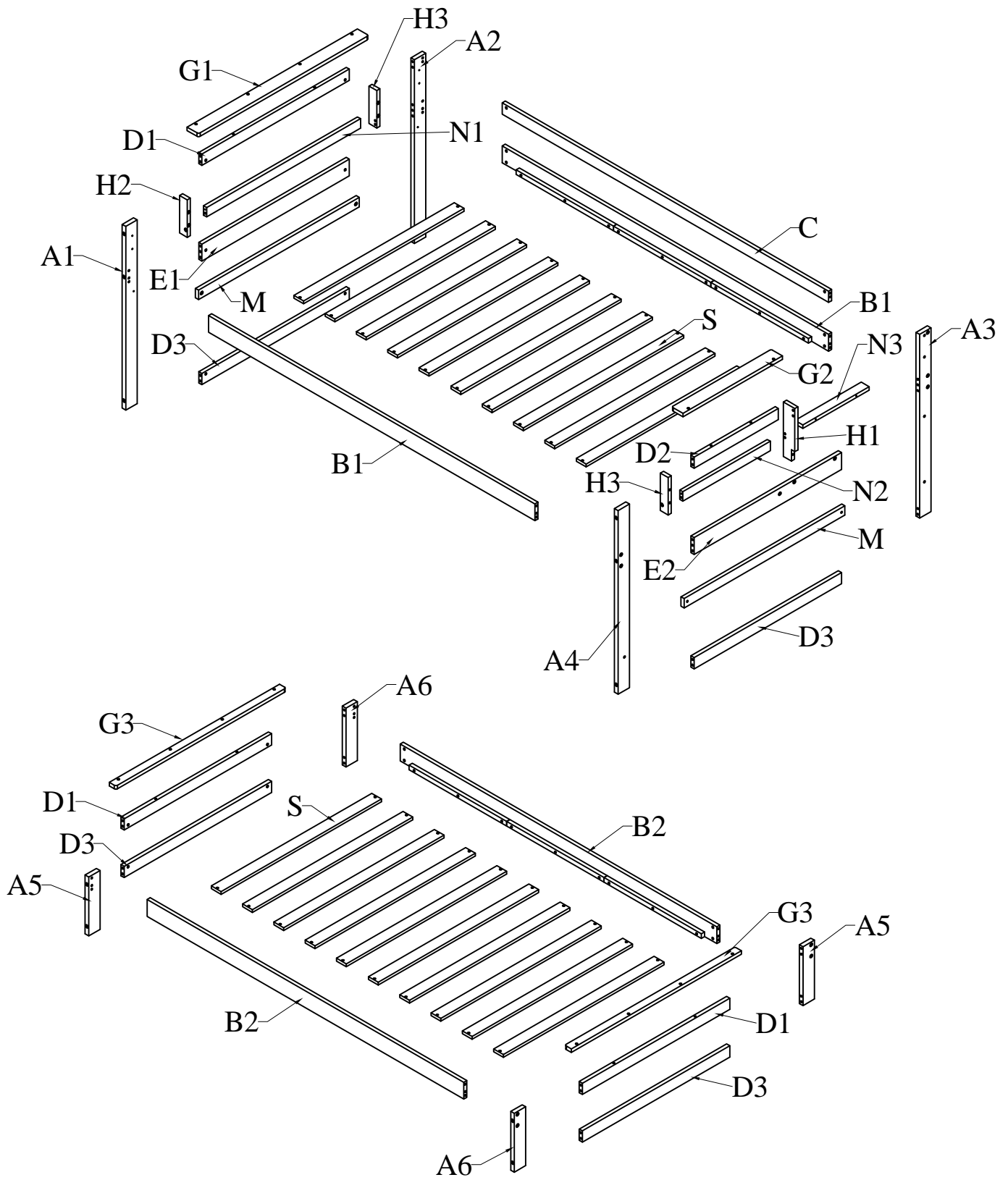


# ASSEMBLY INSTRUCTIONS

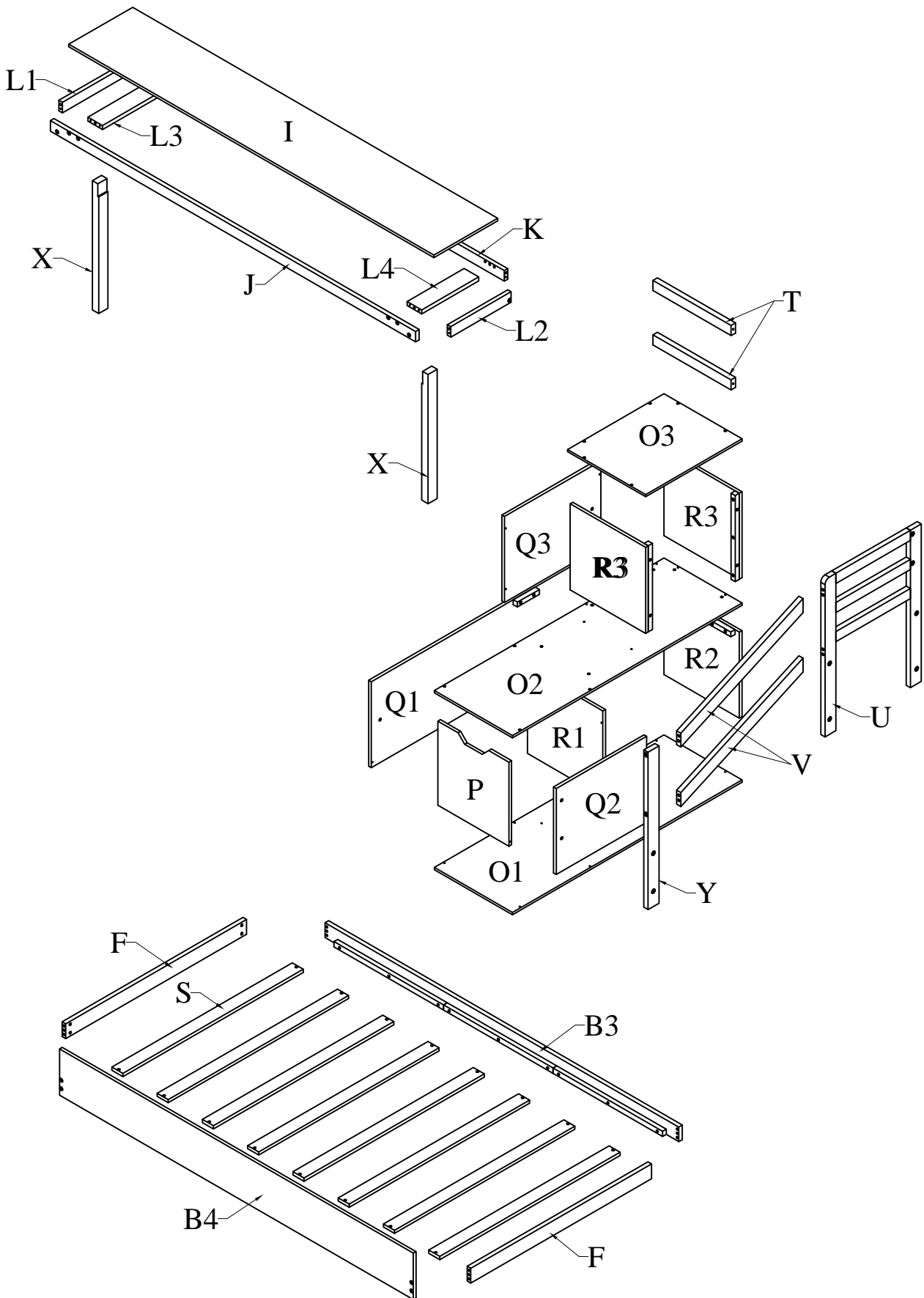
ITEM CODE: WF296627/WF296628



# DETAIL VIEW

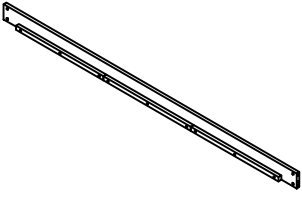


# DETAIL VIEW



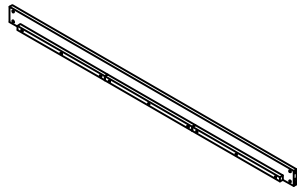
# BOX 1: WF296627

B1



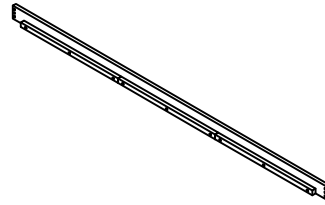
Side rail - upper (2pcs)

B2



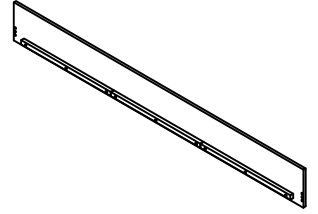
Side rail - lower (2pcs)

B3



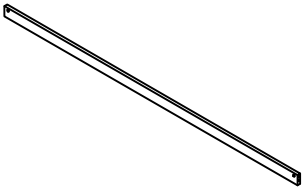
Back side rail - trundle (1pc)

B4



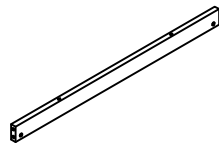
Front side rail - trundle (1pc)

C



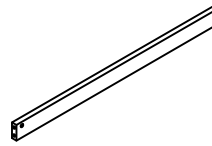
Back guardrail (1pc)

D1



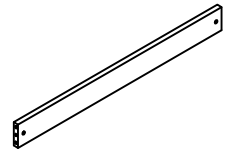
Horizontal rail left - top  
(3pcs)

D3



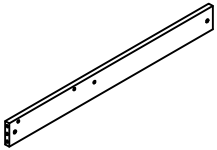
Horizontal rail - bottom  
(3pcs)

E1



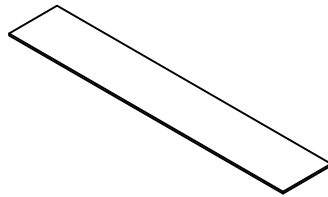
Horizontal rail left - middle  
(1pc)

E2



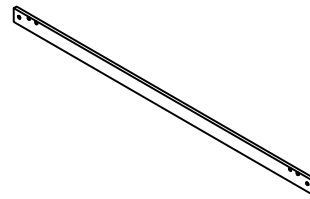
Horizontal rail right - middle  
(1pc)

I



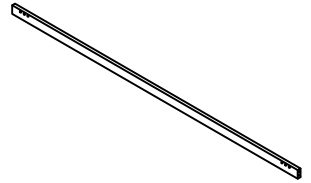
Top table (1pc)

J



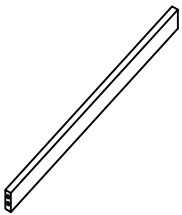
Aprron table - front (1pc)

K









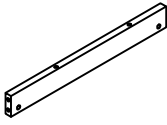
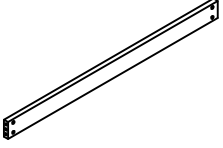
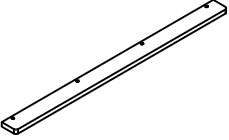
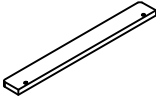
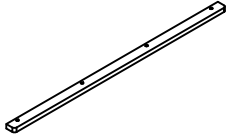



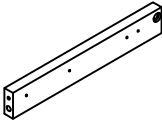
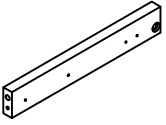
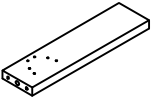
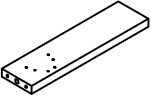
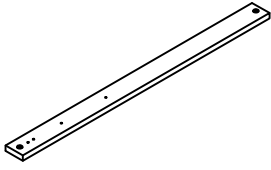
Aprron table - front (1pc)

V

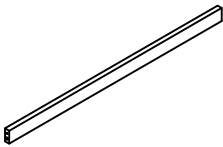
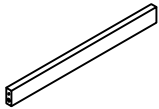
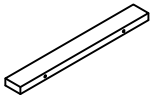
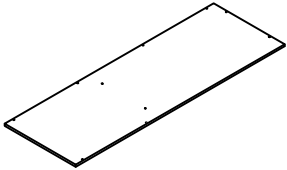
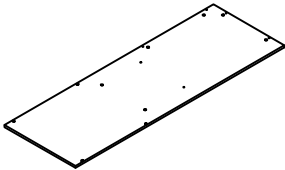
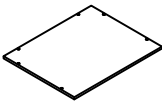
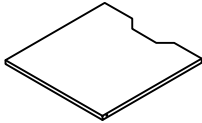
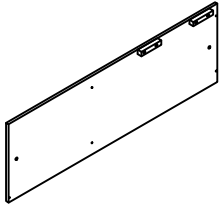
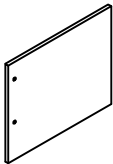
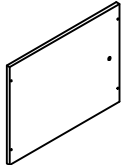
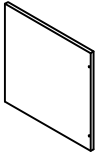
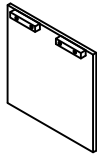
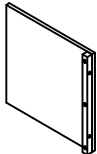
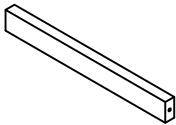
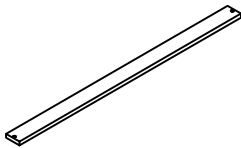
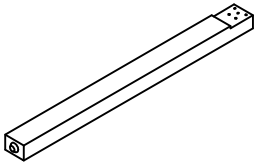
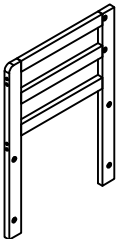



Side guardrail - stair (2pcs)

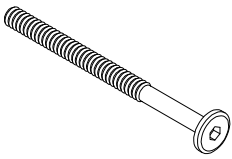
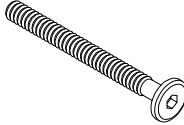

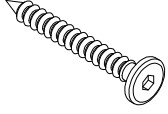
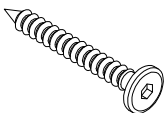
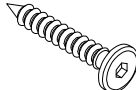
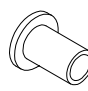
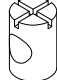
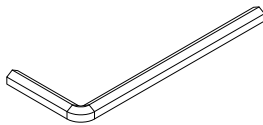
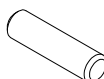
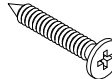
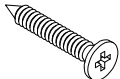
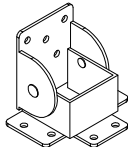

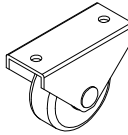



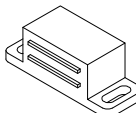
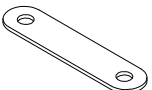
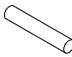
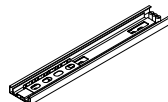
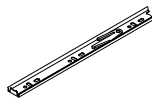
# BOX 2: WF296628

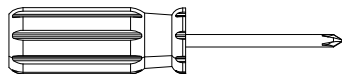
<p>A1</p>  <p>Front leg - left (1pc)</p>	<p>A2</p>  <p>Back leg - left (1pc)</p>	<p>A3</p>  <p>Back leg - right (1pc)</p>	<p>A4</p>  <p>Front leg - right (1pc)</p>
<p>A5</p>  <p>Short leg - left (2pcs)</p>	<p>A6</p>  <p>Short leg - right (2pcs)</p>	<p>D2</p>  <p>Horizontal rail right - top (1pc)</p>	<p>F</p>  <p>Horizontal rail - trundle (2pcs)</p>
<p>G1</p>  <p>Horizontal top bar - left upper (1pc)</p>	<p>G2</p>  <p>Horizontal top bar - right upper (1pc)</p>	<p>G3</p>  <p>Horizontal top bar - lower (2ps)</p>	<p>H1</p>  <p>Vertical bar - back right (1pc)</p>
<p>H2</p>  <p>Vertical bar - Front left (1pc)</p>	<p>H3</p>  <p>Vertical bar - Back left (2pcs)</p>	<p>L1</p>  <p>Side apron table - left (1pc)</p>	<p>L2</p>  <p>Side apron table - right (1pc)</p>
<p>L3</p>  <p>Support table - left (1pc)</p>	<p>L4</p>  <p>Support table - right (1pc)</p>	<p>M</p>  <p>Support slide rails (2pcs)</p>	

# BOX 2: WF296628

<p>N1</p>  <p>Side support left (1pc)</p>	<p>N2</p>  <p>Side support right - front (1pc)</p>	<p>N3</p>  <p>Side support right - back (1pc)</p>	<p>O1</p>  <p>Bottom panel - stair (1pc)</p>
<p>O2</p>  <p>Mindle panel - stair (1pc)</p>	<p>O3</p>  <p>Top panel - stair (1pc)</p>	<p>P</p>  <p>Front drawer - stair (1pc)</p>	<p>Q1</p>  <p>Side panel left - lower (1pc)</p>
<p>Q2</p>  <p>Side panel right - lower (1pc)</p>	<p>Q3</p>  <p>Side panel left - upper (1pc)</p>	<p>R1</p>  <p>Partition panel - front (1pc)</p>	<p>R2</p>  <p>Partition panel - back (1pc)</p>
<p>R3</p>  <p>Partition panel - upper (2pcs)</p>	<p>T</p>  <p>Back rail - stair (2pcs)</p>	<p>S</p>  <p>Slats (28pcs)</p>	<p>X</p>  <p>Leg table (2pcs)</p>
<p>U</p>  <p>Side frame - stair (1pc)</p>	<p>Y</p>  <p>Vertical bar - stair (1pc)</p>		

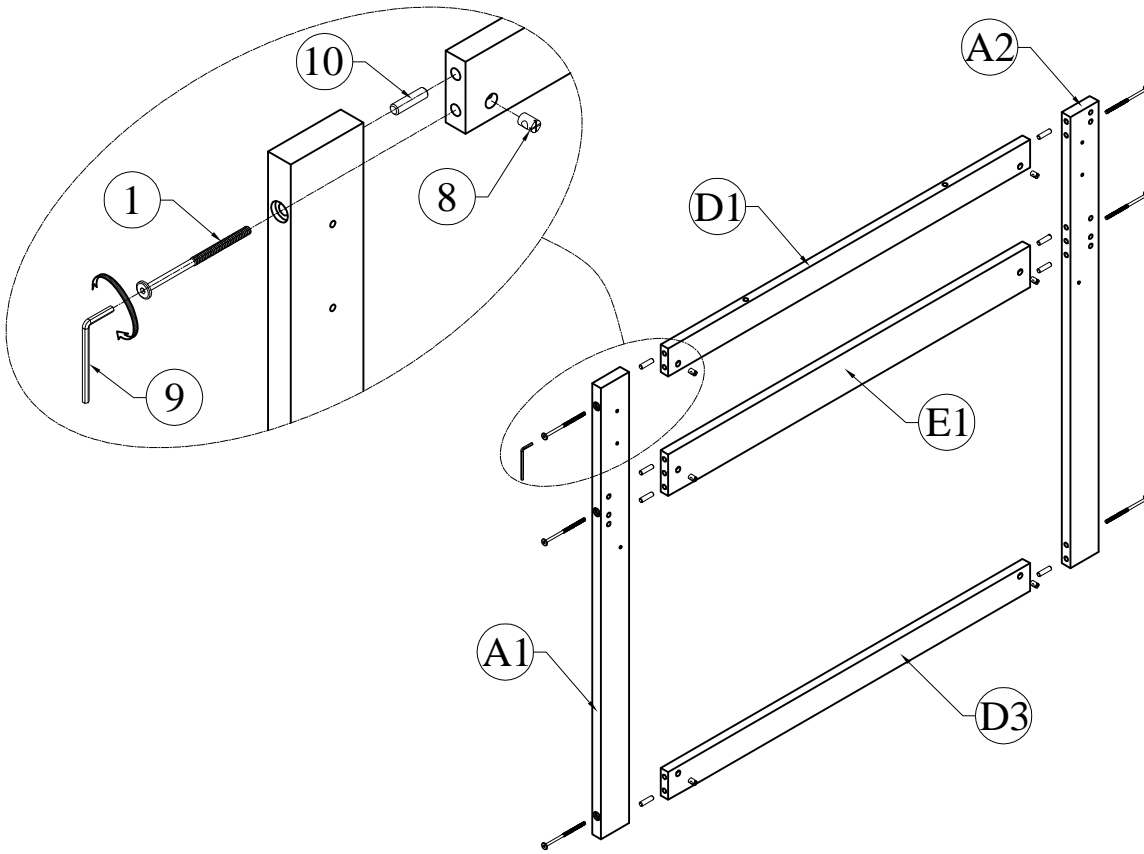
# HARDWARE LIST: WF296628

<p>1</p>  <p>Hex - Head bolts Ø1/4" * 110- 19pcs</p>	<p>2</p>  <p>Hex - Head bolts Ø1/4" * 60- 32pcs</p>	<p>3</p>  <p>Hex - Head bolts Ø1/4" * 25- 9pcs</p>	<p>4</p>  <p>Hexagonal bolts catch wood Ø6 * 60 - 6pcs</p>
<p>5</p>  <p>Hexagonal bolts catch wood Ø6 * 50 - 22pcs</p>	<p>6</p>  <p>Hexagonal bolts catch wood Ø6 * 30 - 4pcs</p>	<p>7</p>  <p>Canopy head though Ø1/4" - 6pcs</p>	<p>8</p>  <p>Horizontal - Hold bolts Ø1/4" - 46pcs</p>
<p>9</p>  <p>Allen key K4 - 2pc</p>	<p>10</p>  <p>Wood dowel Ø8 * 30 - 58pcs</p>	<p>11</p>  <p>Wood crews M4 * 35 - 14pcs</p>	<p>12</p>  <p>Wood crews M4 * 25 - 98pcs</p>
<p>13</p>  <p>Folded patt - 2pcs</p>	<p>14</p>  <p>Round Screw M4 * 20 - 38pcs</p>	<p>15</p>  <p>Wheel - 8pcs</p>	<p>16</p>  <p>Wood crews M3.5 * 15 - 18pcs</p>
<p>17</p>  <p>Wood crews M3 * 12 - 22pcs</p>	<p>18</p>  <p>L - Bracket - 10pcs</p>	<p>19</p>  <p>Magnet - 1pc</p>	<p>20</p>  <p>Mending plate - 1pc</p>
<p>21</p>  <p>Steel dowel Ø3 * 17 - 2pcs</p>	<p>22</p>  <p>Sliding rail (outside) - 2pcs</p>	<p>23</p>  <p>Sliding rail (inside) - 2pcs</p>	



**Assembly Tools Required (Not Included)**

# STEP 1

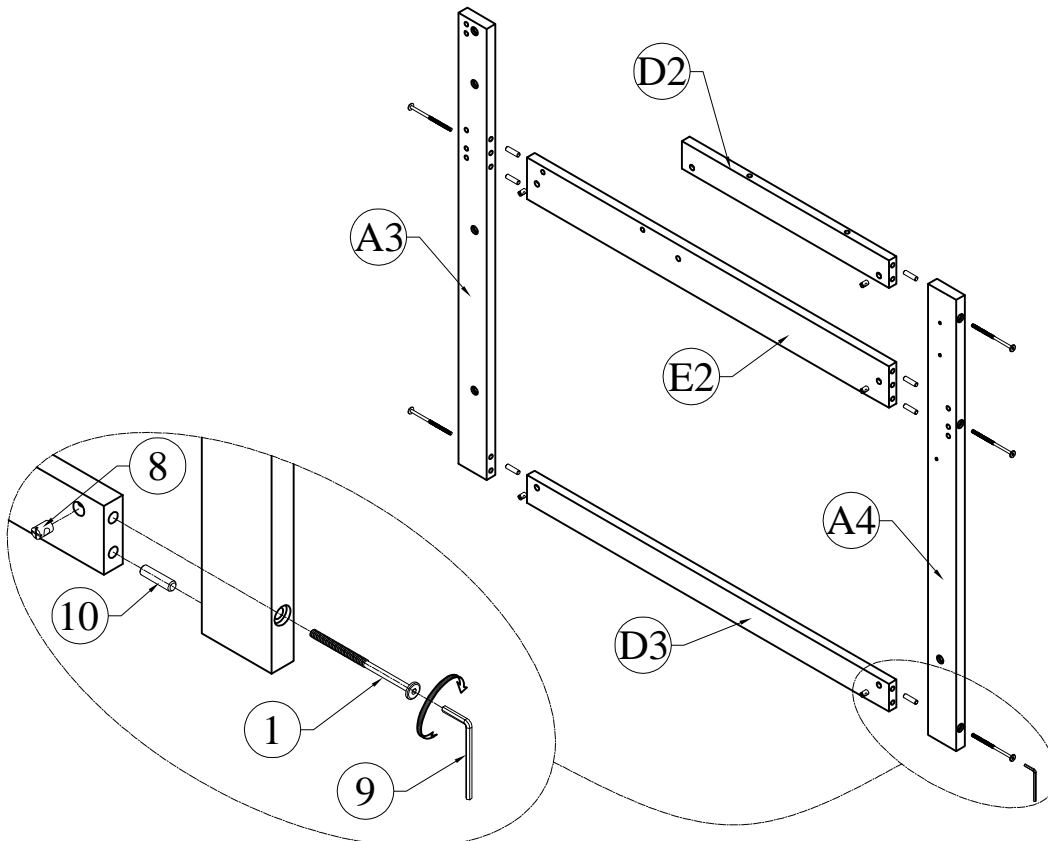


1  
Hex - Head bolts  
Ø1/4" \* 110- 6pcs

8  
Horizontal - Hold bolts  
Ø1/4" - 6pcs

10  
Wood dowel  
Ø8 \* 30 - 8pcs

# STEP 2

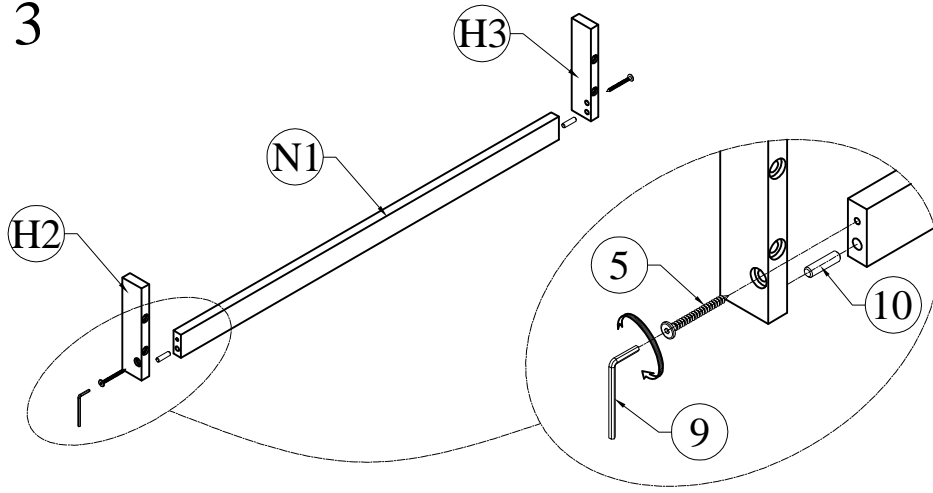


1  
Hex - Head bolts  
Ø1/4" \* 110- 5pcs

8  
Horizontal - Hold bolts  
Ø1/4" - 5pcs

10  
Wood dowel  
Ø8 \* 30 - 7pcs

# STEP 3



5



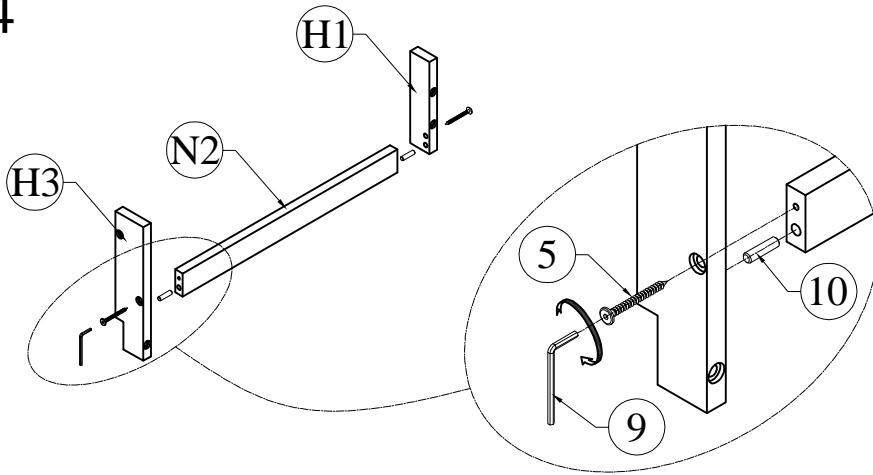
Hexagonal bolts catch wood  
Ø6 \* 50 - 2pcs

10



Wood dowel  
Ø8 \* 30 - 2pcs

# STEP 4



5



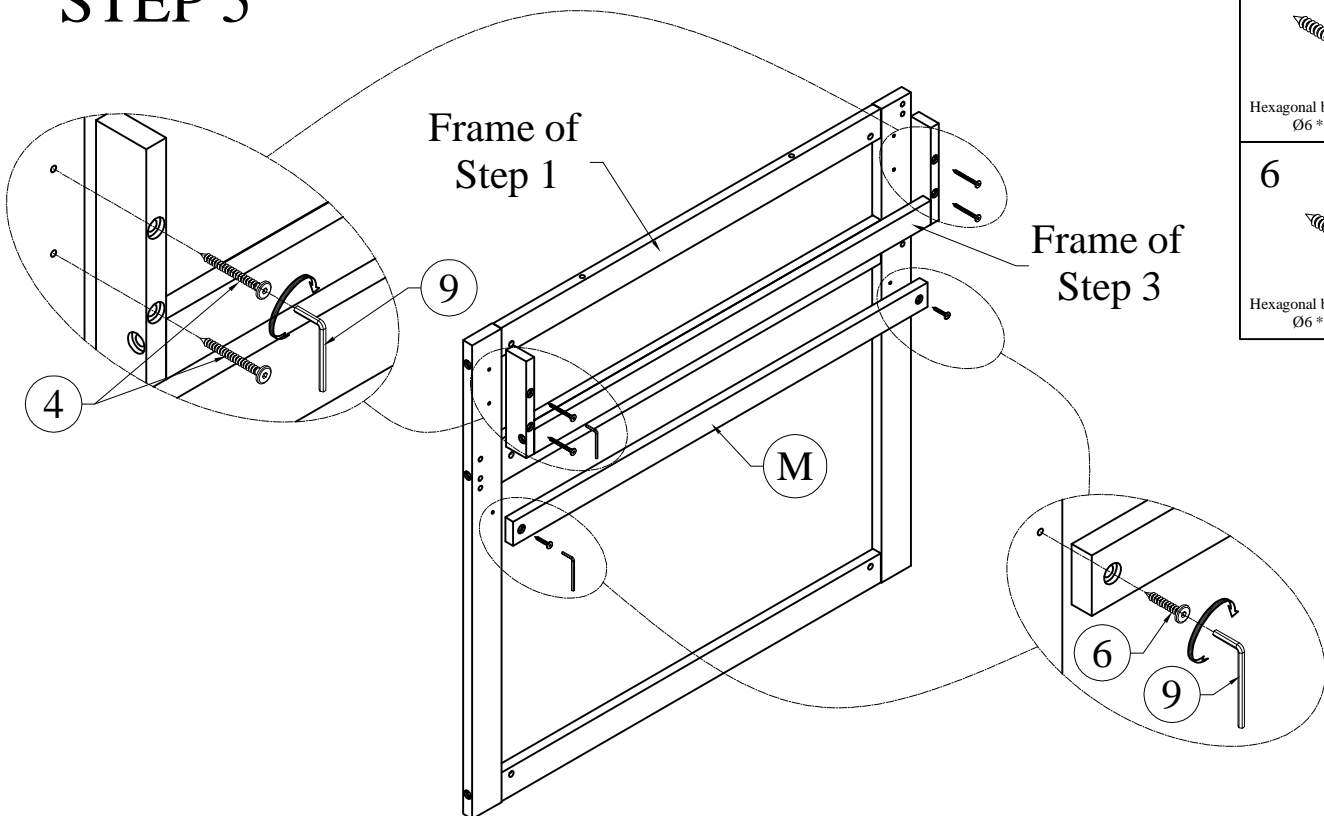
Hexagonal bolts catch wood  
Ø6 \* 50 - 2pcs

10



Wood dowel  
Ø8 \* 30 - 2pcs

# STEP 5



4



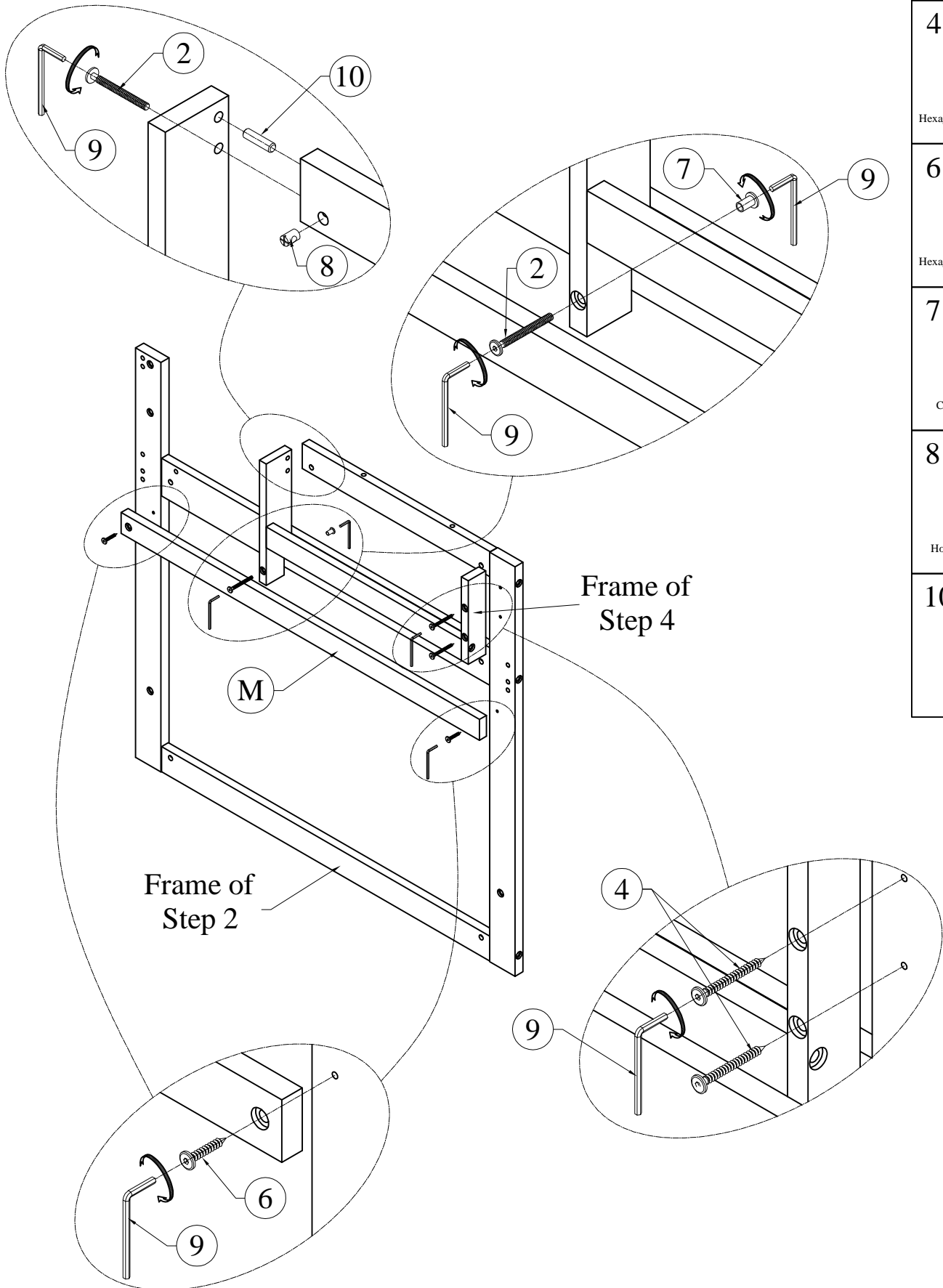
Hexagonal bolts catch wood  
Ø6 \* 60 - 4pcs

6




Hexagonal bolts catch wood  
Ø6 \* 30 - 2pcs

# STEP 6




2




Hex - Head bolts  
Ø1/4" \* 60- 2pcs

4




Hexagonal bolts catch wood  
Ø6 \* 60 - 2pcs

6




Hexagonal bolts catch wood  
Ø6 \* 30 - 2pcs

7




Canopy head through  
Ø1/4" - 1pc

8



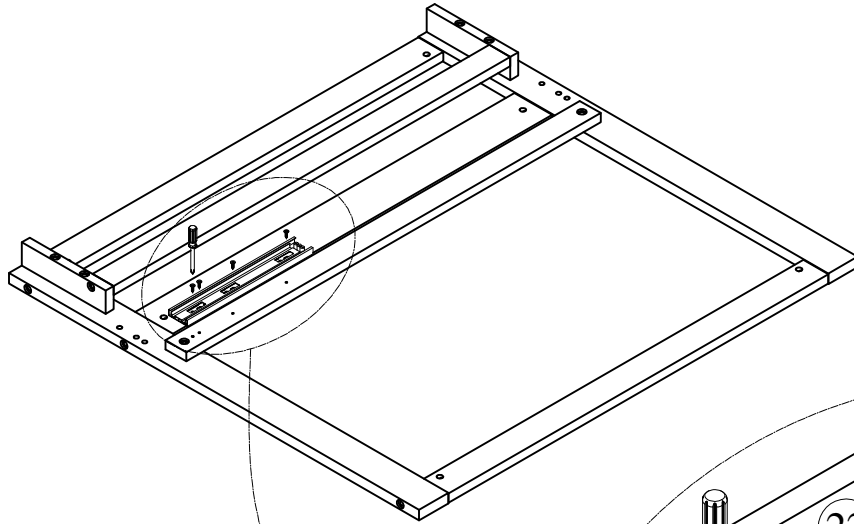
Horizontal - Hold bolts  
Ø1/4" - 1pc

10



Wood dowel  
Ø8 \* 30 - 1pc

# STEP 7



16

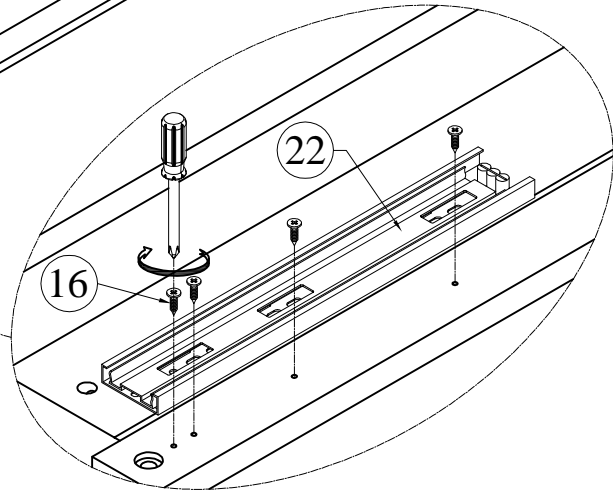


Wood crews  
M3.5 \* 15 - 4pcs

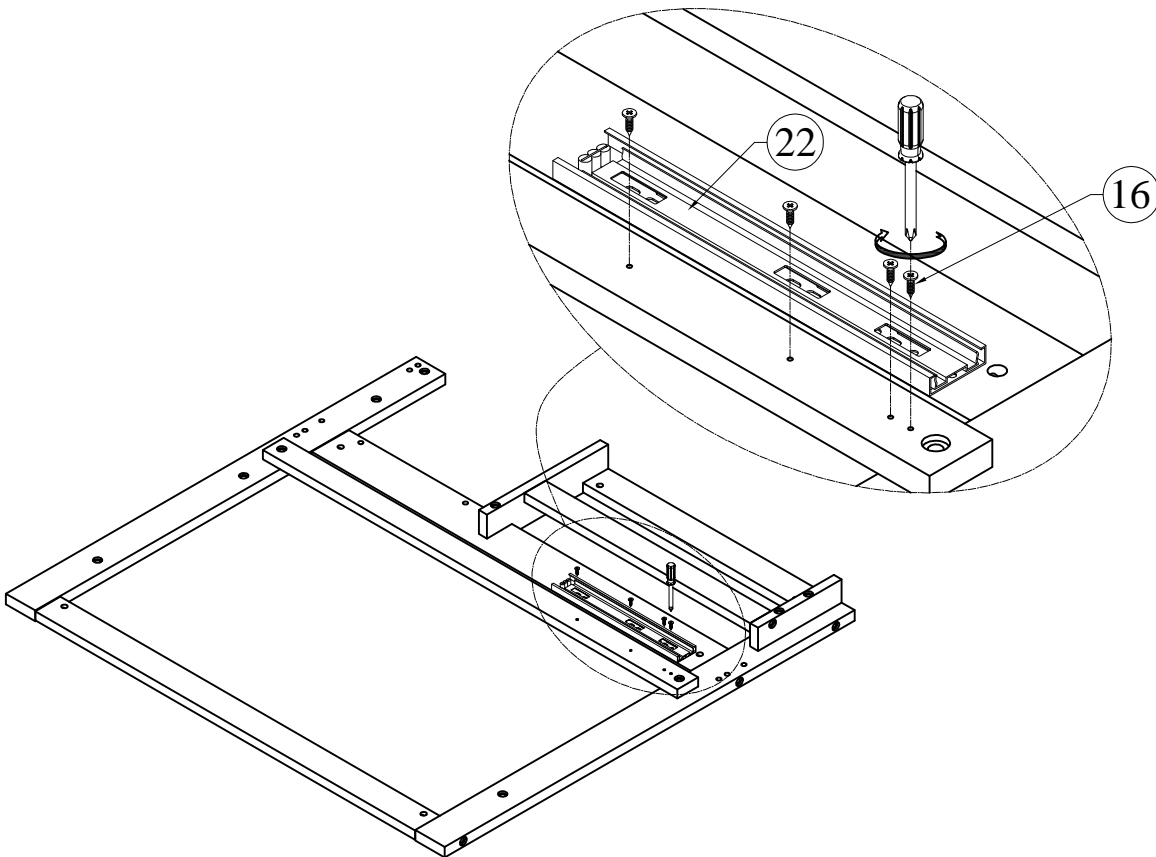
22



Sliding rail (outside) - 1pc



# STEP 8



16



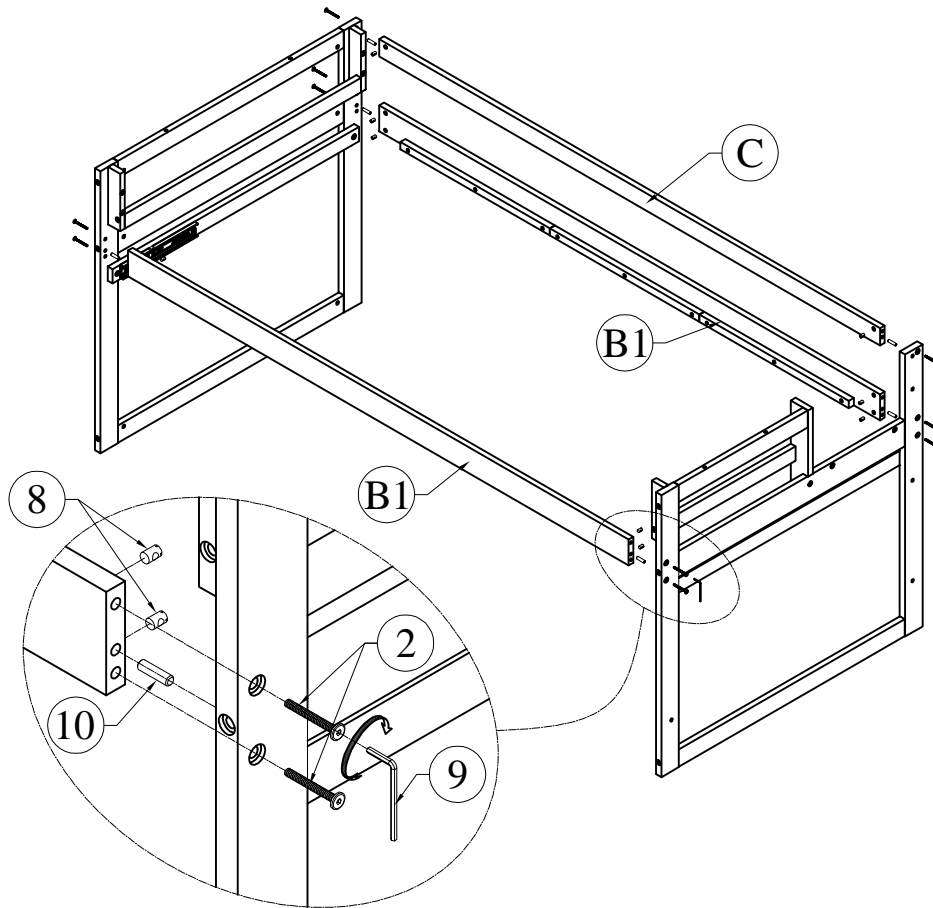
Wood crews  
M3.5 \* 15 - 4pcs


22





Sliding rail (outside) - 1pc

# STEP 9

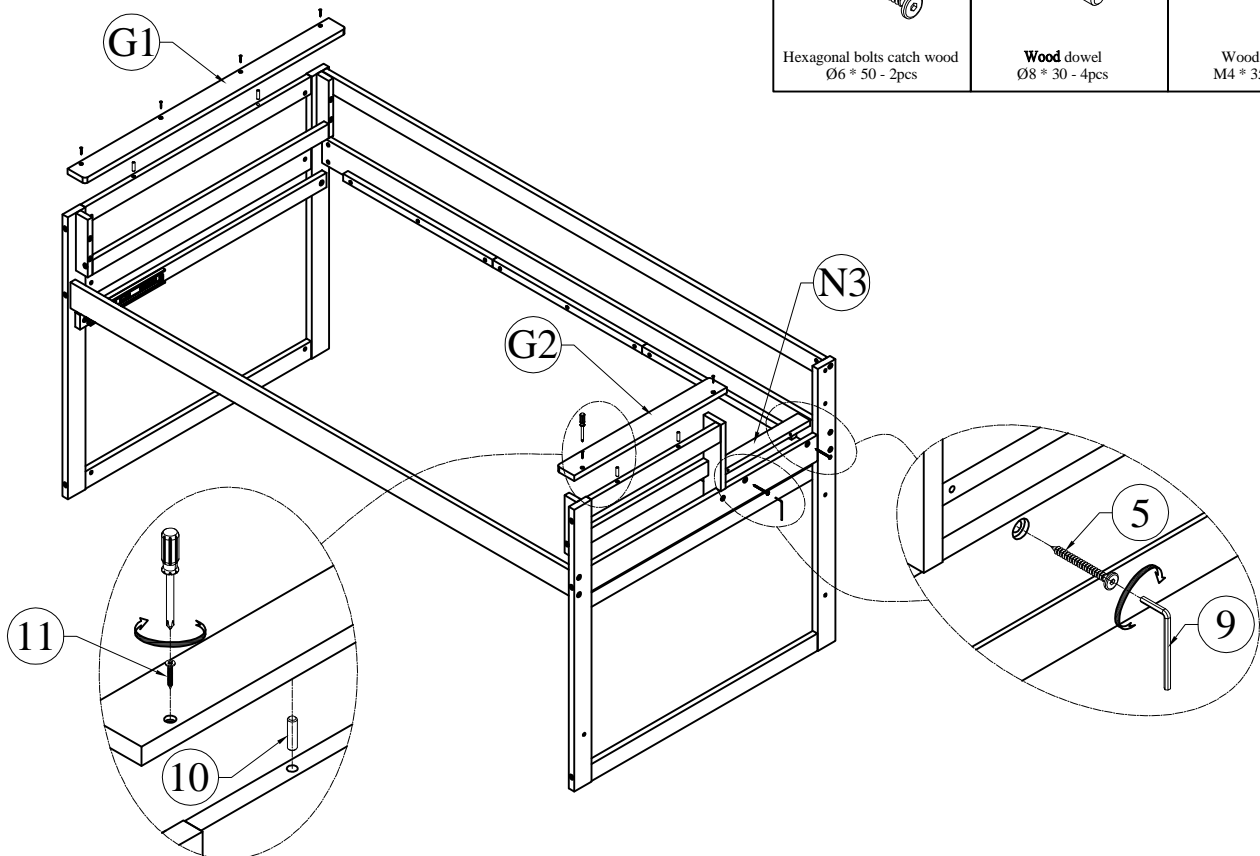



2  
  
 Hex - Head bolts  
 Ø1/4" \* 60- 10pcs


8  
  
 Horizontal - Hold bolts  
 Ø1/4" - 10pcs


10  
  
 Wood dowel  
 Ø8 \* 30 - 6pcs

# STEP 10

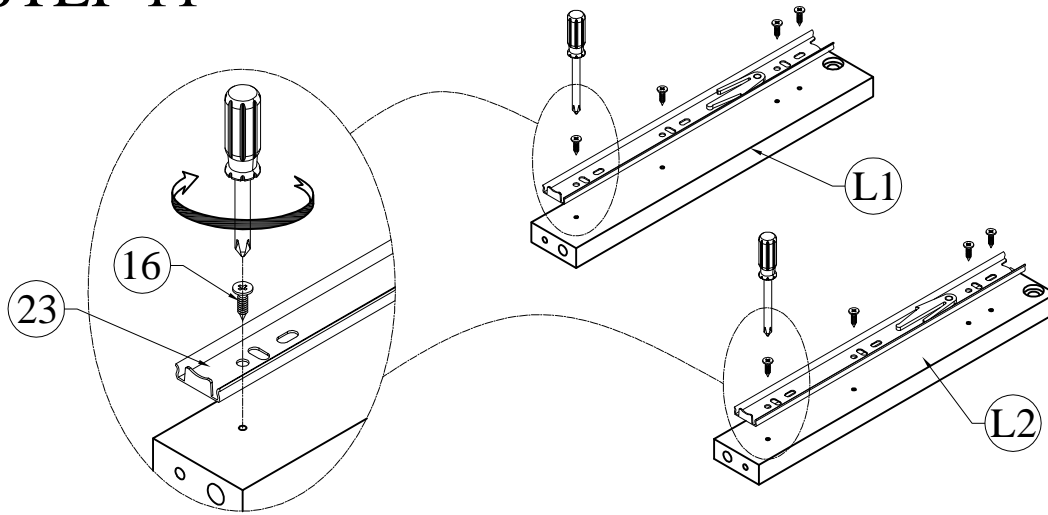


5  
  
 Hexagonal bolts catch wood  
 Ø6 \* 50 - 2pcs

10  
  
 Wood dowel  
 Ø8 \* 30 - 4pcs

11  
  
 Wood crews  
 M4 \* 35 - 6pcs

# STEP 11



16



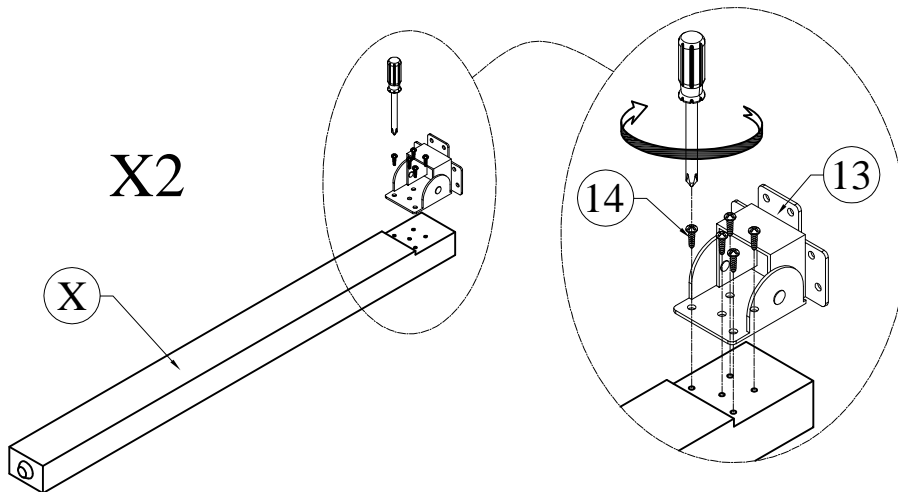
Wood crews  
M3.5 \* 15 - 8pcs

23



Sliding rail (inside) - 2pcs

# STEP 12

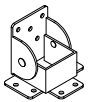


14



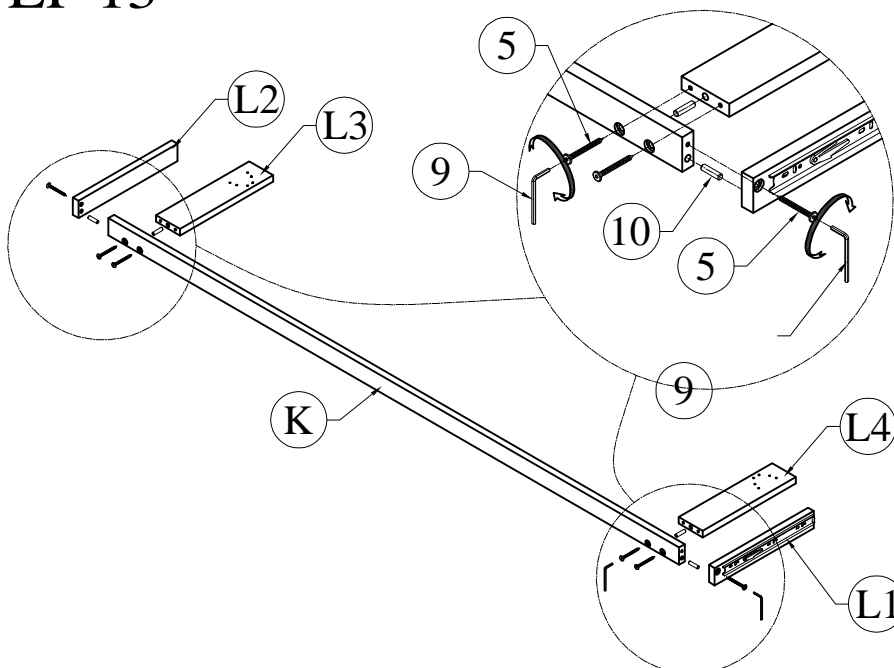
Round Screw  
M4 \* 20 - 10pcs

13



Folded part - 2pcs

# STEP 13



5



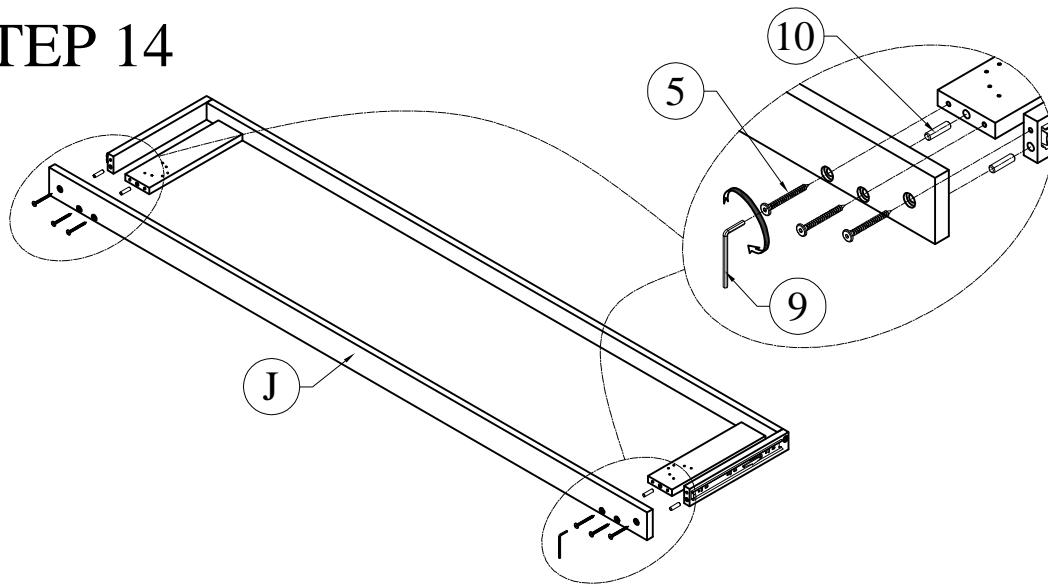
Hexagonal bolts catch wood  
Ø6 \* 50 - 6pcs

10



Wood dowel  
Ø8 \* 30 - 4pcs

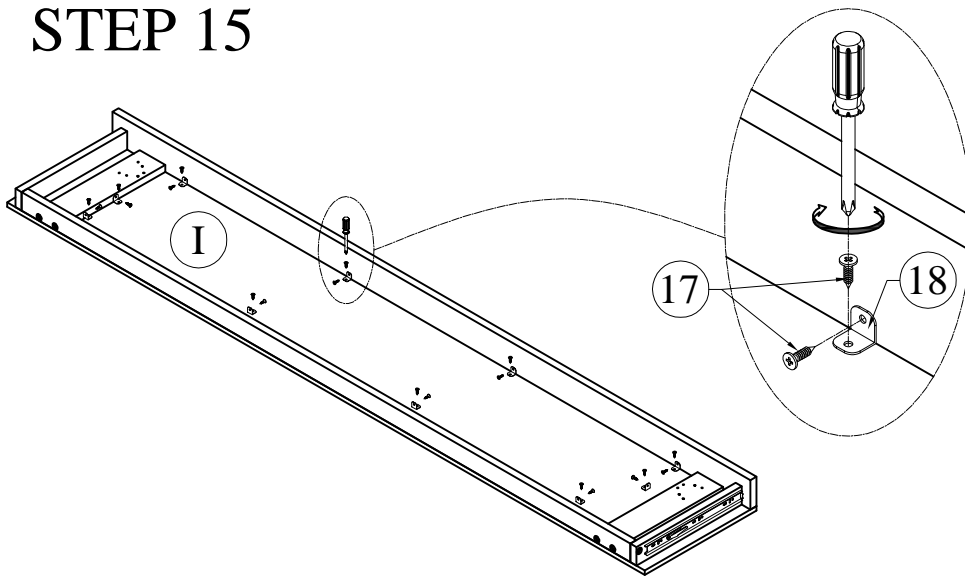
# STEP 14



5  
Hexagonal bolts catch wood  
Ø6 \* 50 - 6pcs

10  
Wood dowel  
Ø8 \* 30 - 4pcs

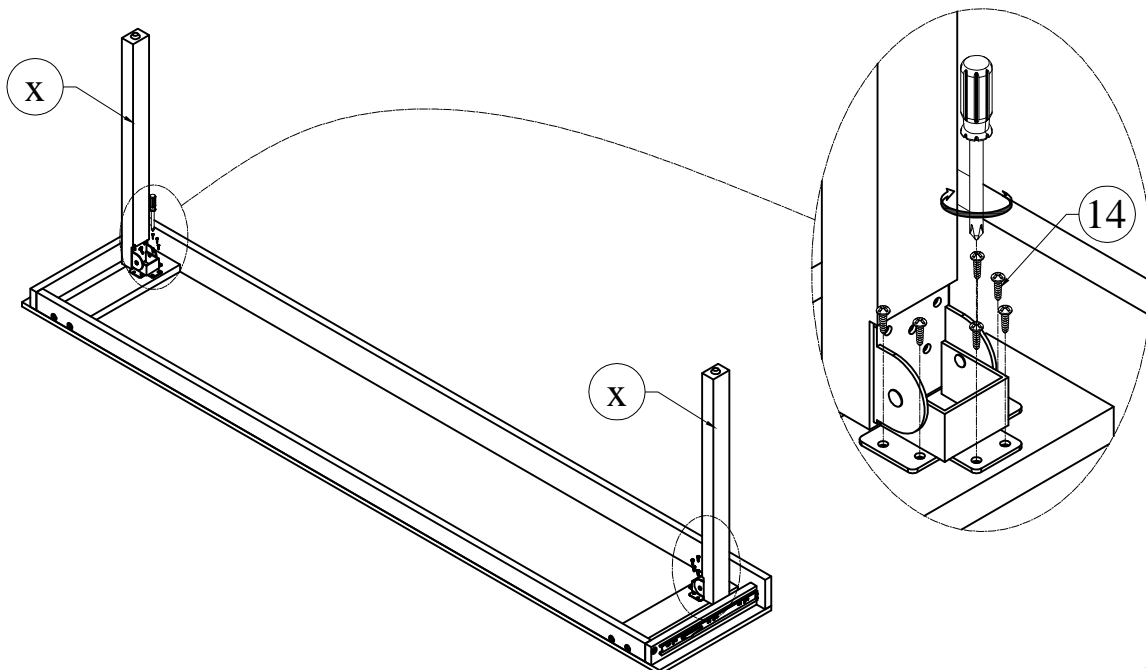
# STEP 15



17  
Wood crews  
M3 \* 12 - 20pcs

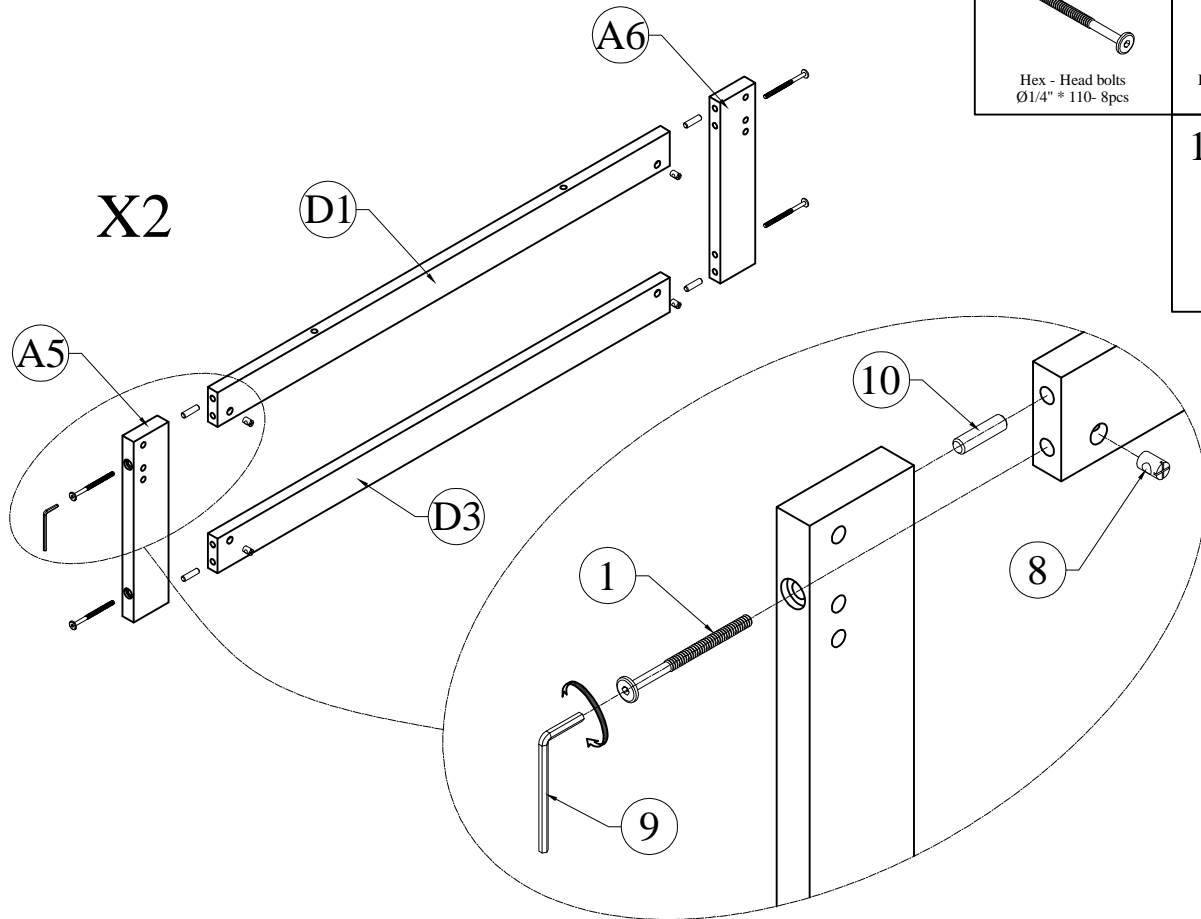
18  
L - Bracket - 10pcs

# STEP 16



14  
Round Screw  
M4 \* 20 - 12pcs

# STEP 17



**1**

Hex - Head bolts  
Ø1/4" \* 110 - 8pcs

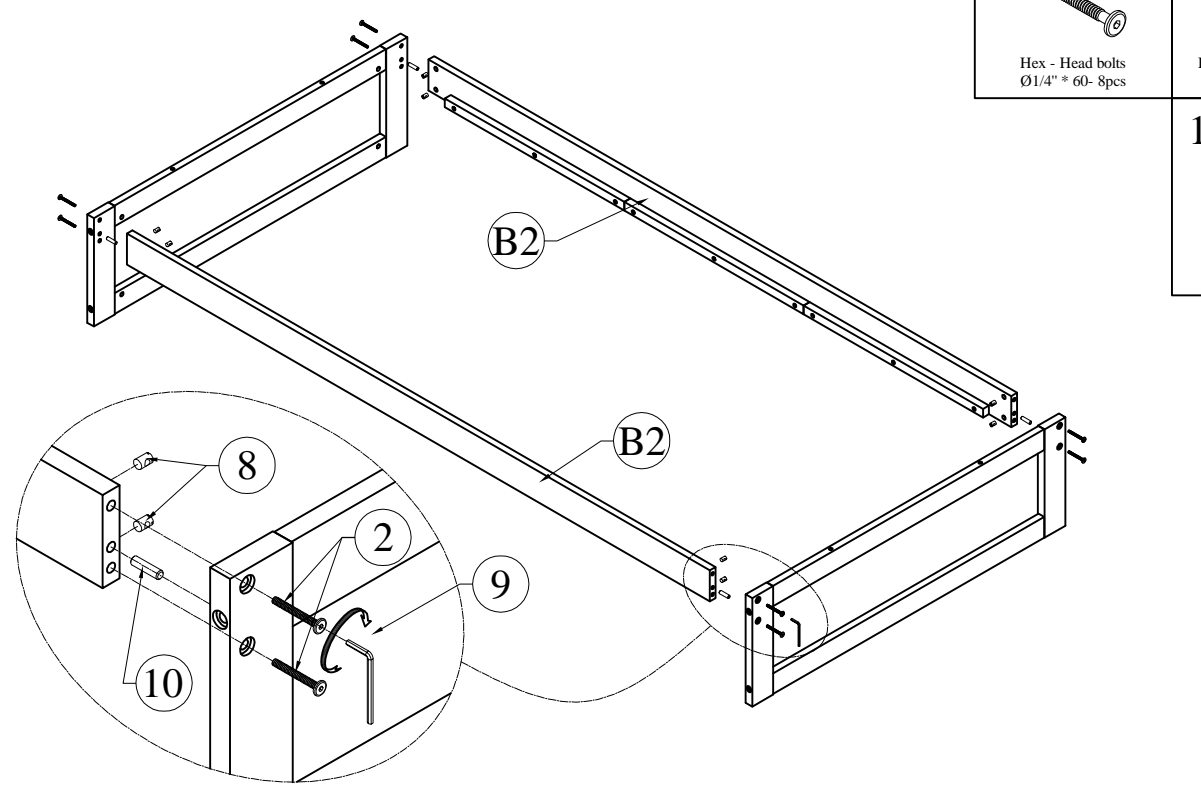
**8**

Horizontal - Hold bolts  
Ø1/4" - 8pcs

**10**

Wood dowel  
Ø8 \* 30 - 8pcs

# STEP 18



**2**

Hex - Head bolts  
Ø1/4" \* 60 - 8pcs

**8**

Horizontal - Hold bolts  
Ø1/4" - 8pcs

**10**

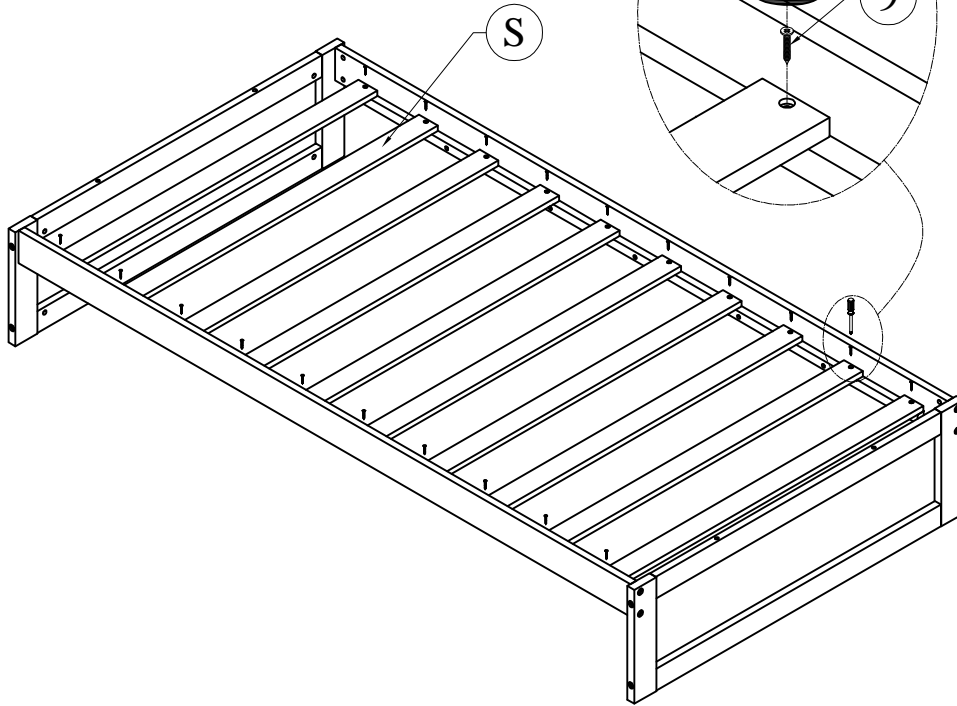
Wood dowel  
Ø8 \* 30 - 4pcs

# STEP 19

12



Wood screws  
M4 \* 25 - 20pcs



# STEP 20

10

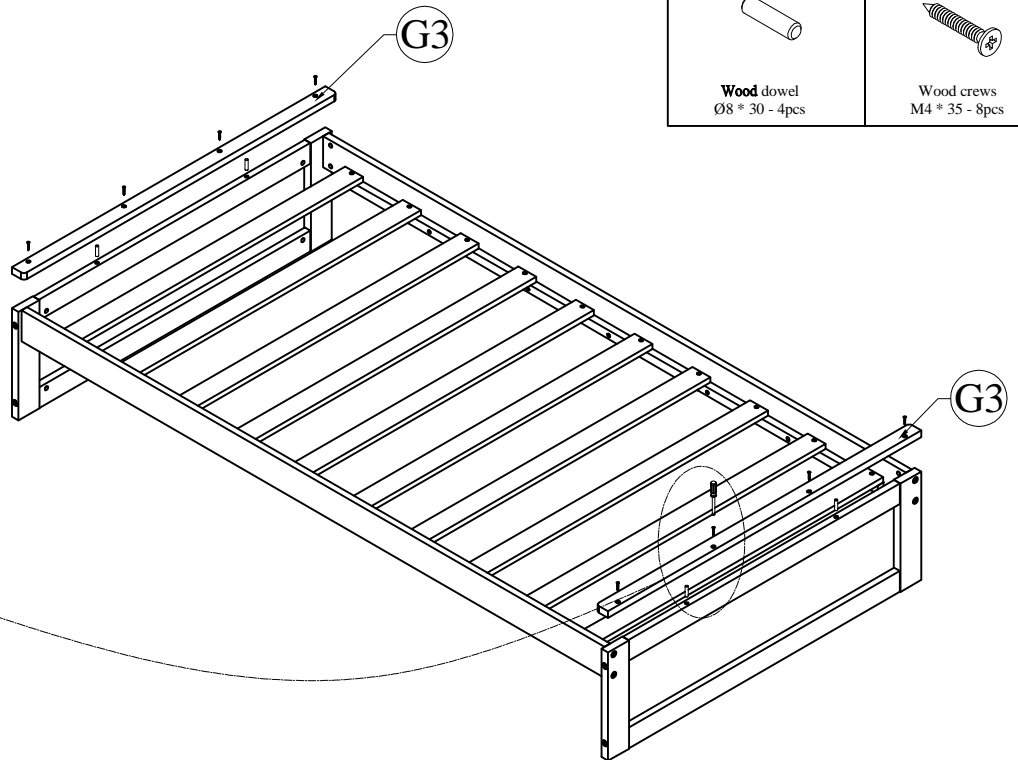
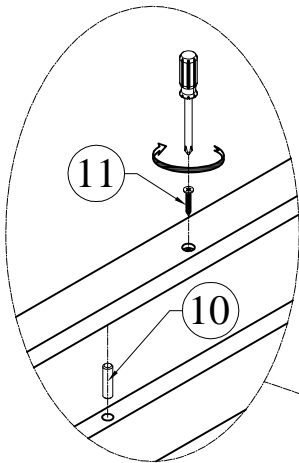


Wood dowel  
Ø8 \* 30 - 4pcs

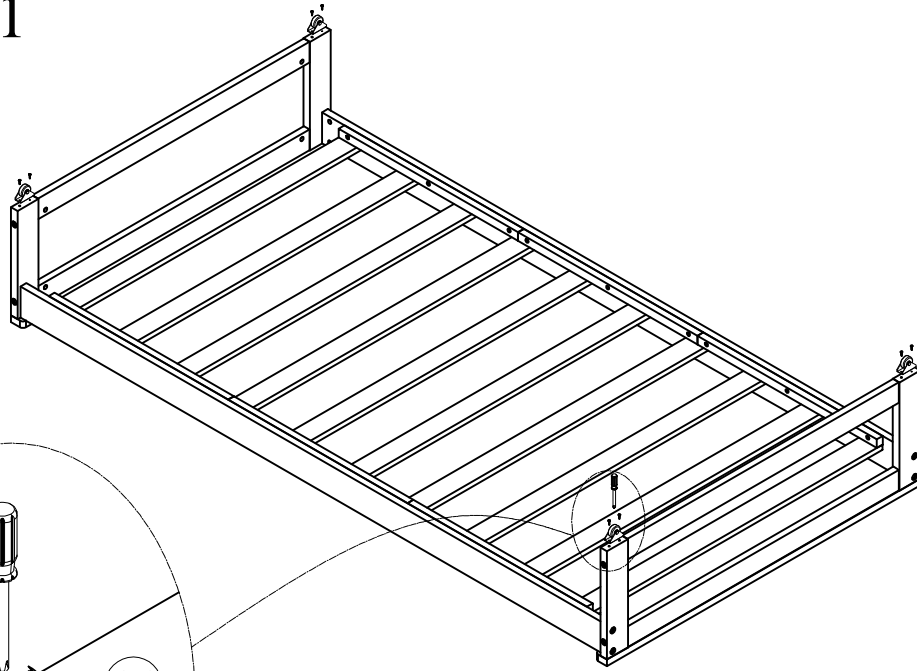
11



Wood screws  
M4 \* 35 - 8pcs



# STEP 21

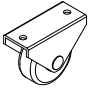


14

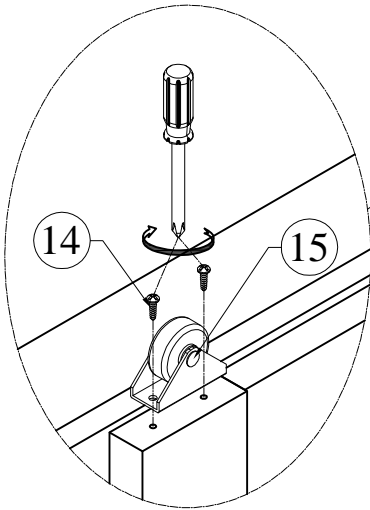


Round Screw  
M4 \* 20 - 8pcs

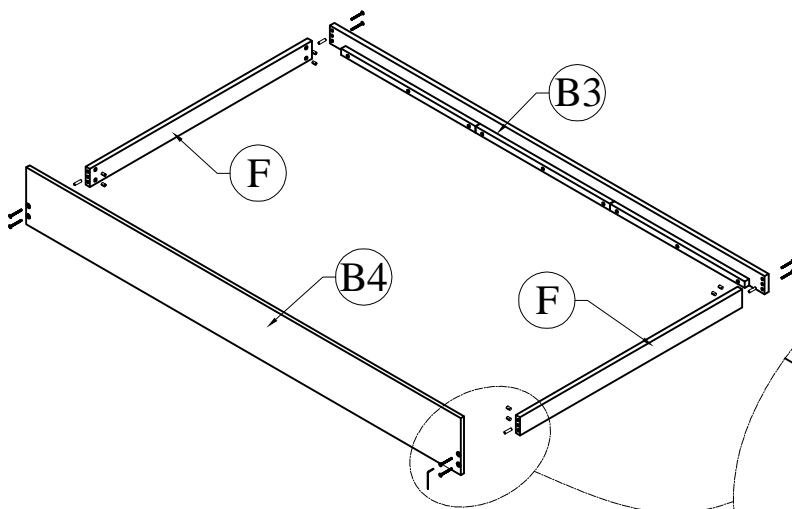
15



Wheel - 4pcs



# STEP 22



2



Hex - Head bolts  
Ø1/4" \* 60- 8pcs

8

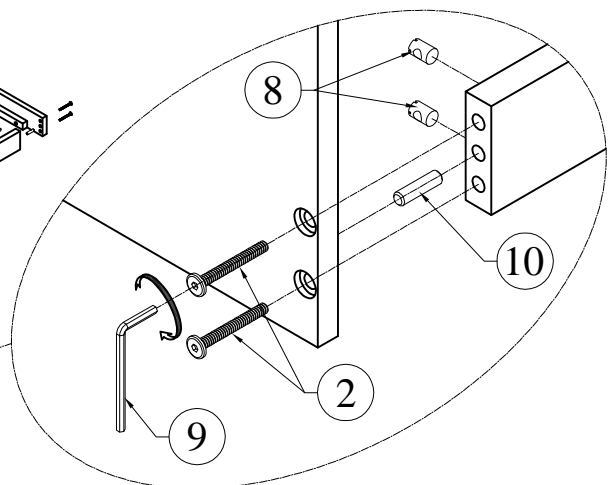


Horizontal - Hold bolts  
Ø1/4" - 8pcs

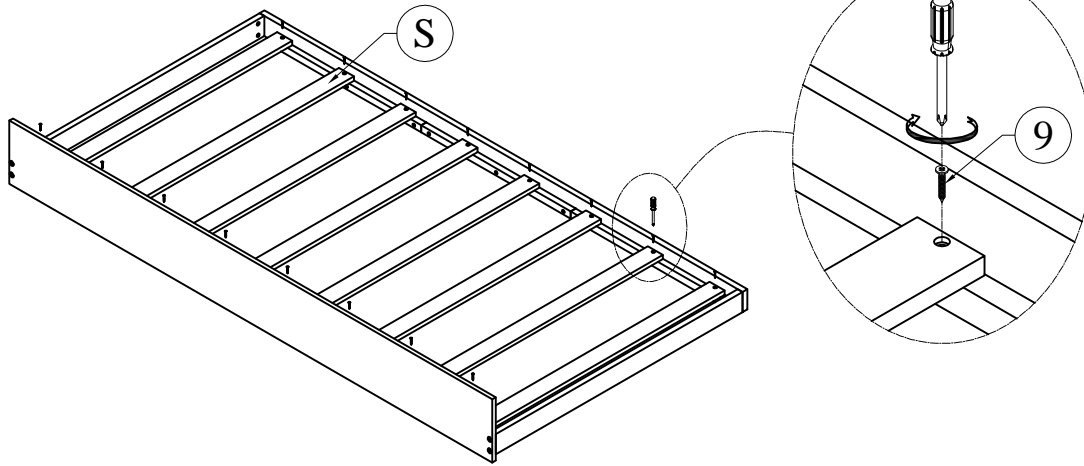
10



Wood dowel  
Ø8 \* 30 - 4pcs



# STEP 23

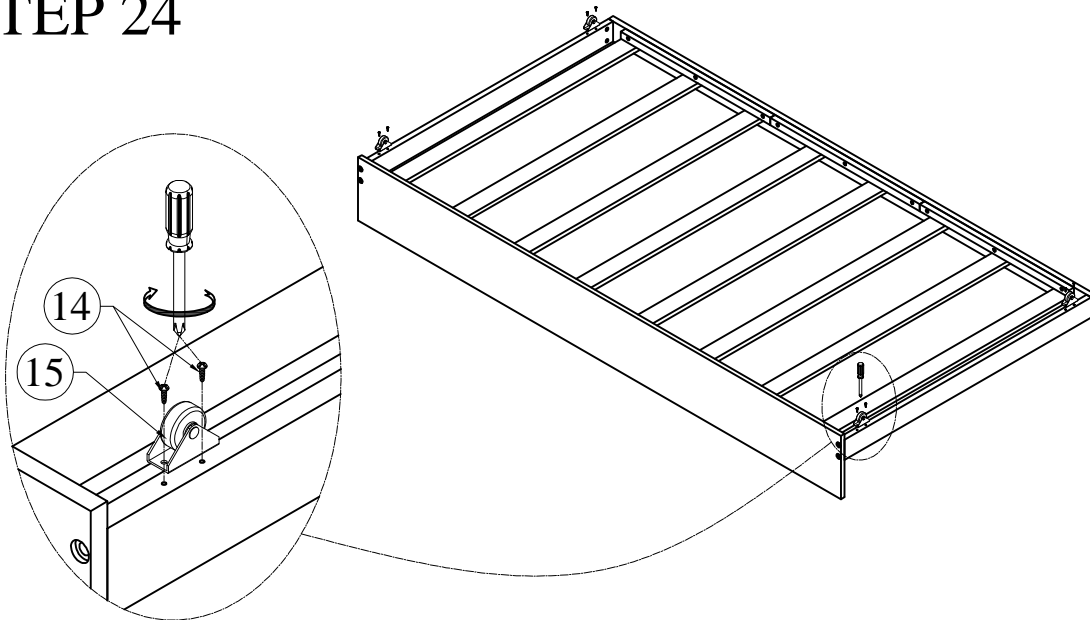


12



Wood crews  
M4 \* 25 - 16pcs

# STEP 24

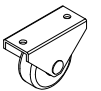


14



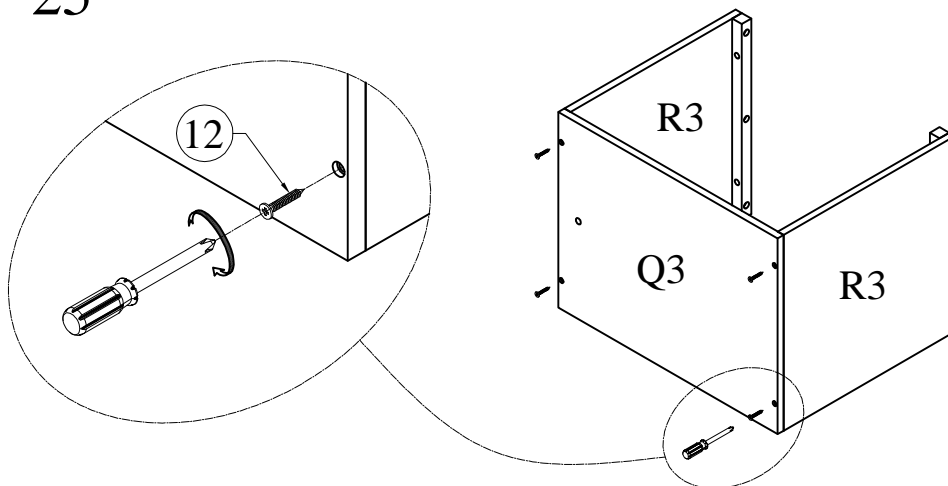
Round Screw  
M4 \* 20 - 8pcs

15



Wheel - 4pcs

# STEP 25

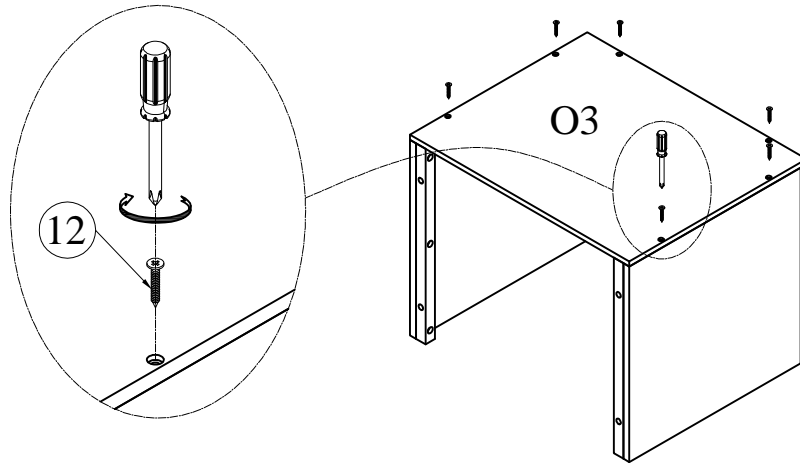


12



Wood crews  
M4 \* 25 - 4pcs

# STEP 26

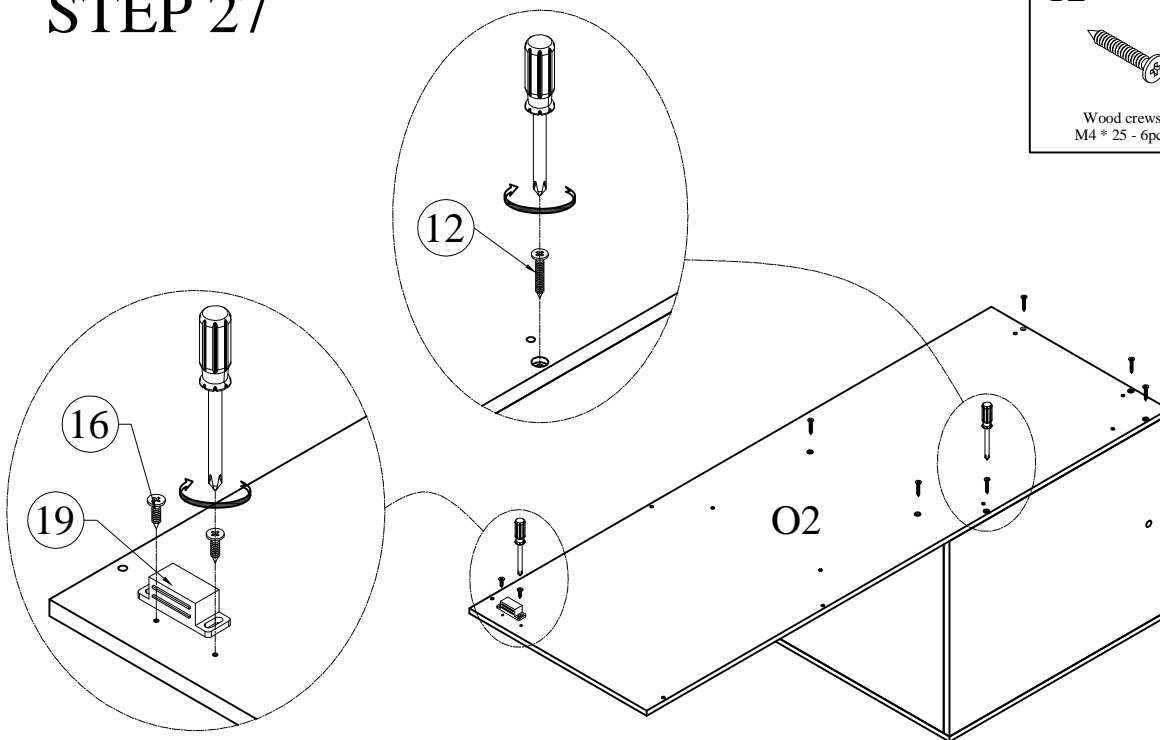


12



Wood screws  
M4 \* 25 - 6pcs

# STEP 27



12



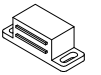
Wood screws  
M4 \* 25 - 6pcs

16



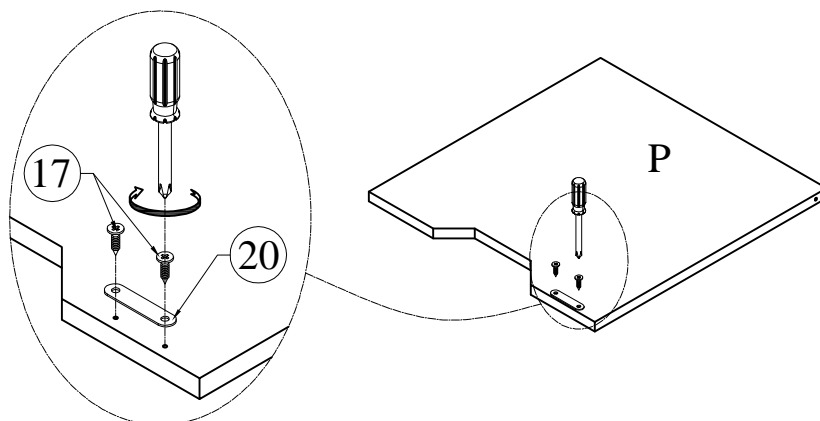
Wood screws  
M3.5 \* 15 - 2pcs

19



Magnet - 1pc

# STEP 28

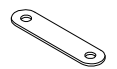


17



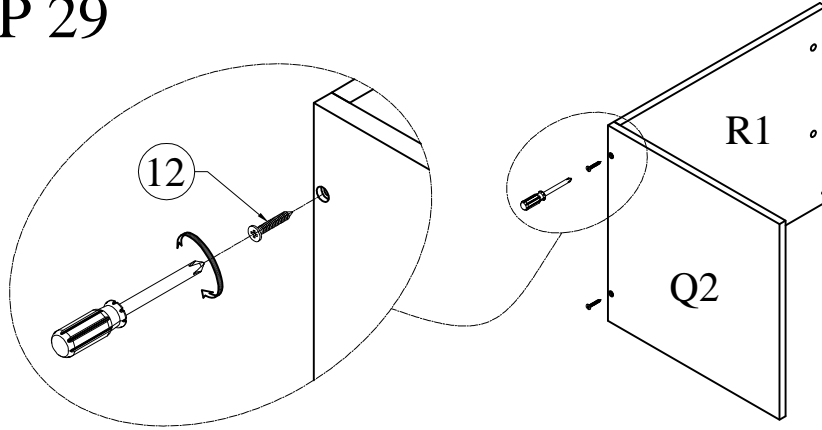
Wood screws  
M3 \* 12 - 2pcs

20

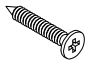


Mending plate - 1pc

# STEP 29

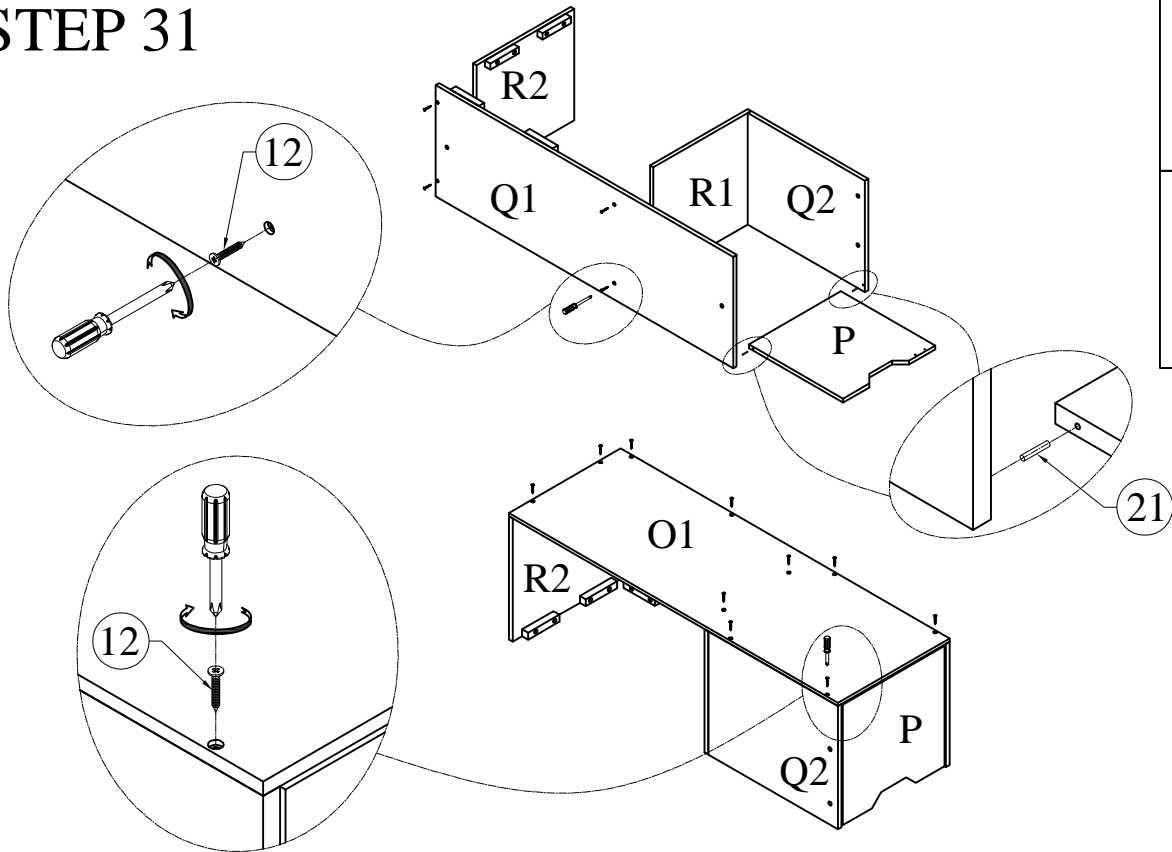


12



Wood screws  
M4 \* 25 - 2pcs

# STEP 31



12



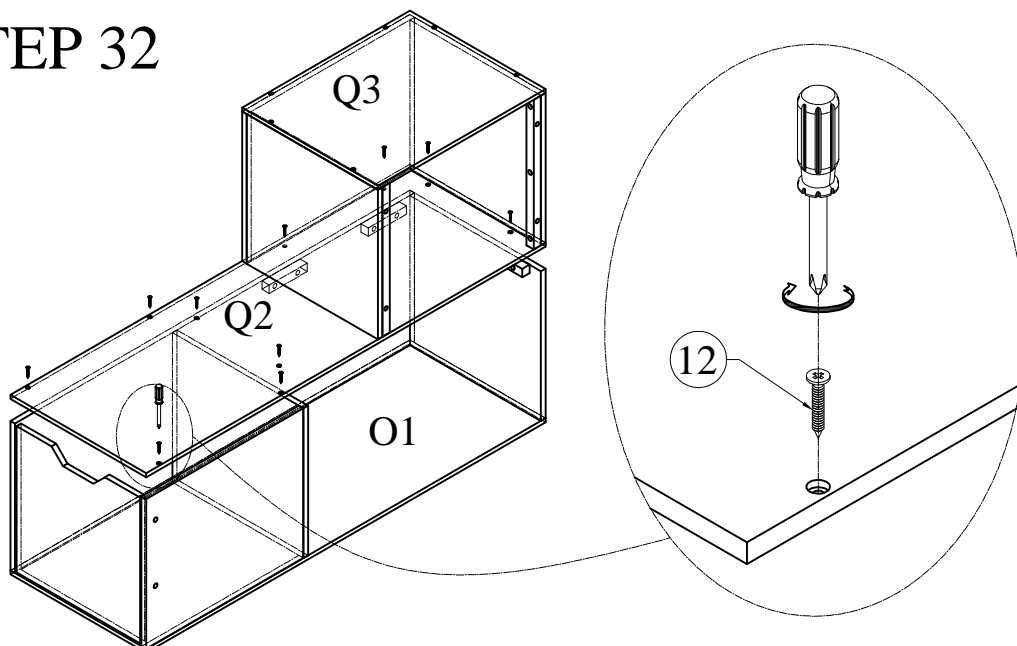
Wood screws  
M4 \* 25 - 14pcs

21



Steel dowel  
Ø3 \* 17 - 2pcs

# STEP 32

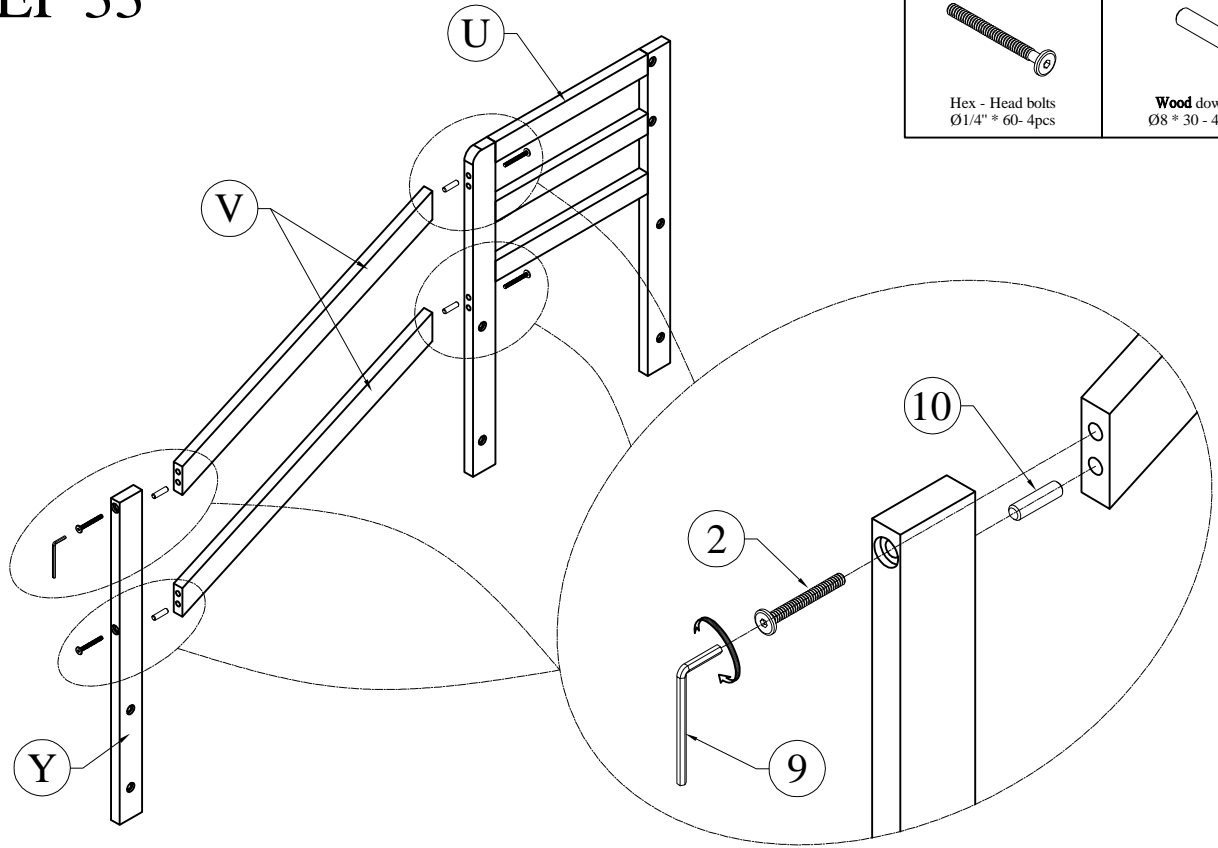


12



Wood screws  
M4 \* 25 - 10pcs

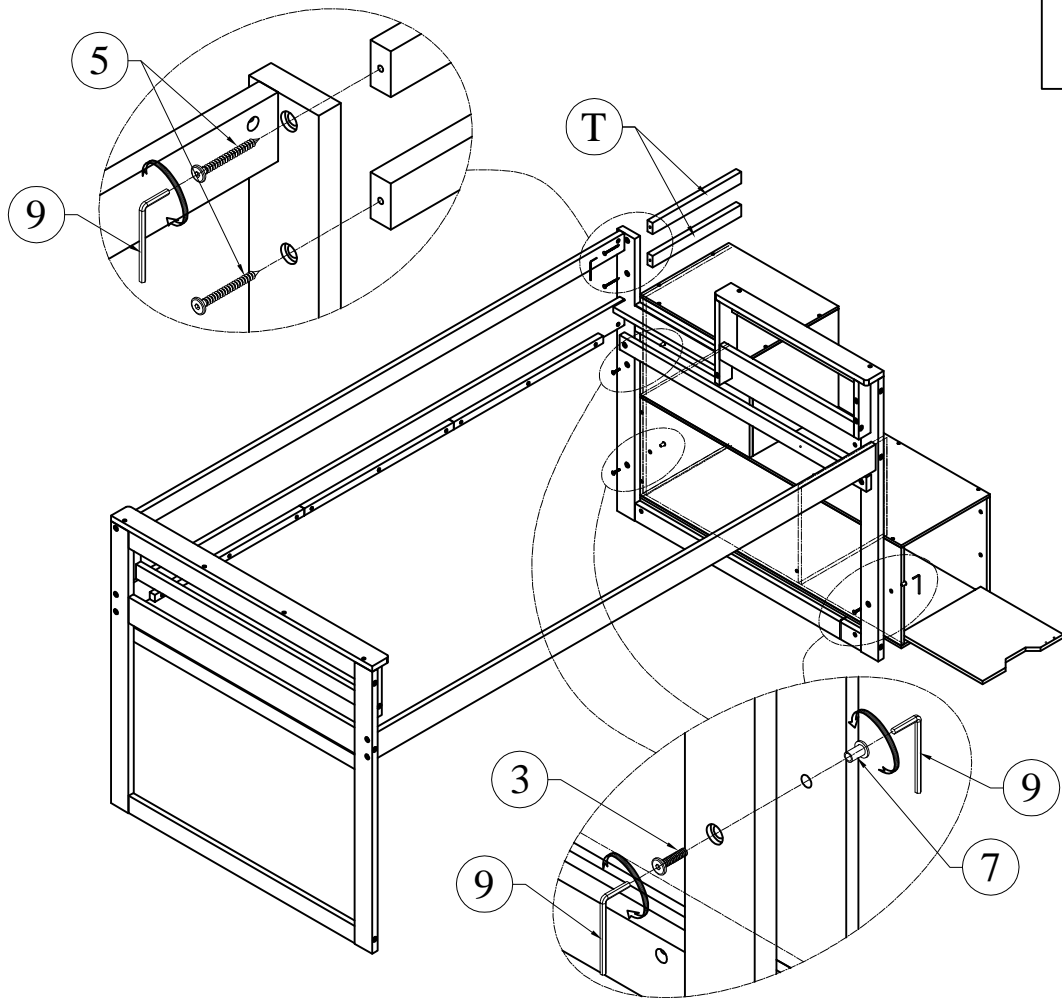
# STEP 33



2  
Hex - Head bolts  
Ø1/4" \* 60 - 4pcs

10  
Wood dowel  
Ø8 \* 30 - 4pcs

# STEP 34

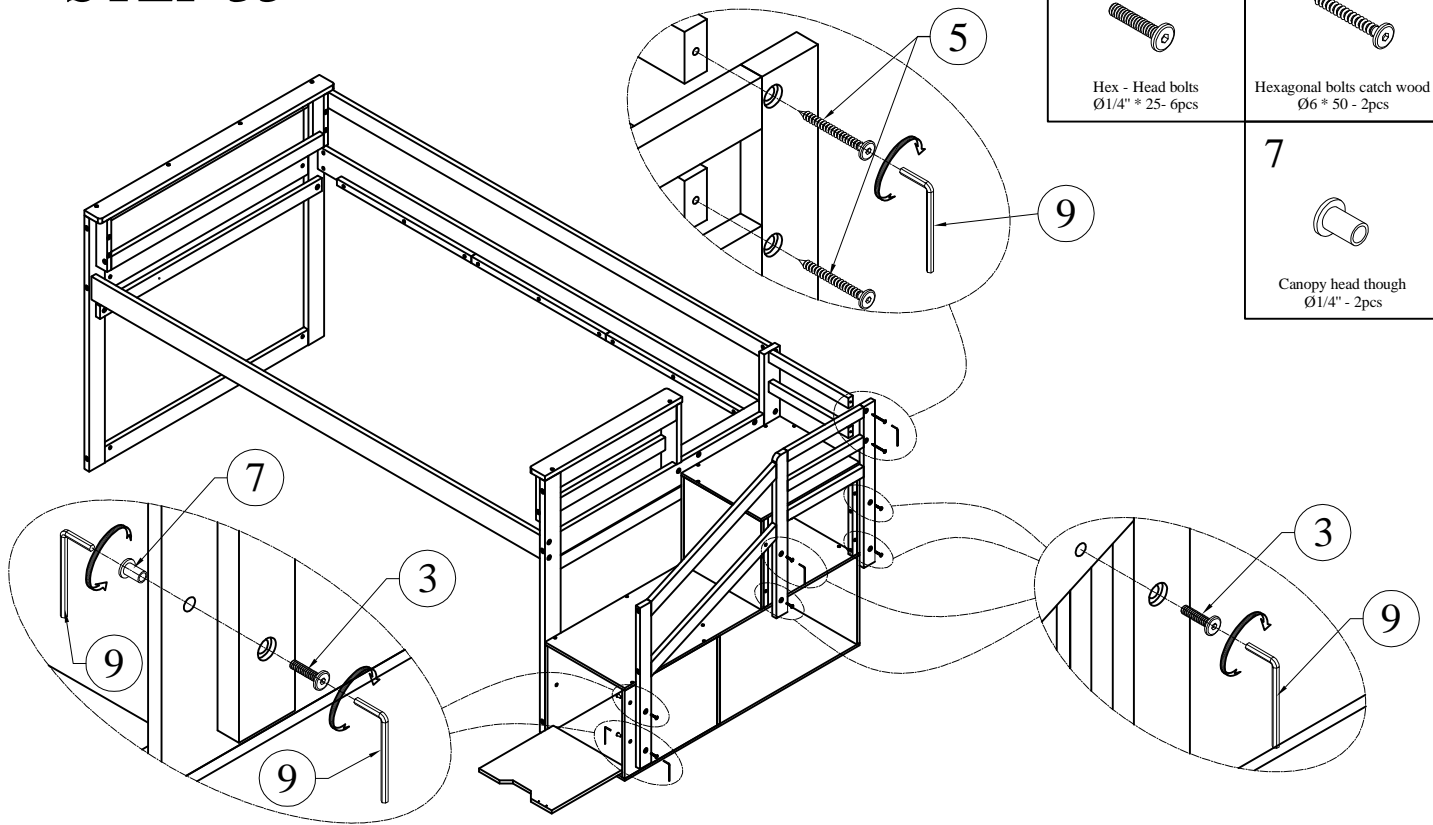


3  
Hex - Head bolts  
Ø1/4" \* 25 - 3pcs

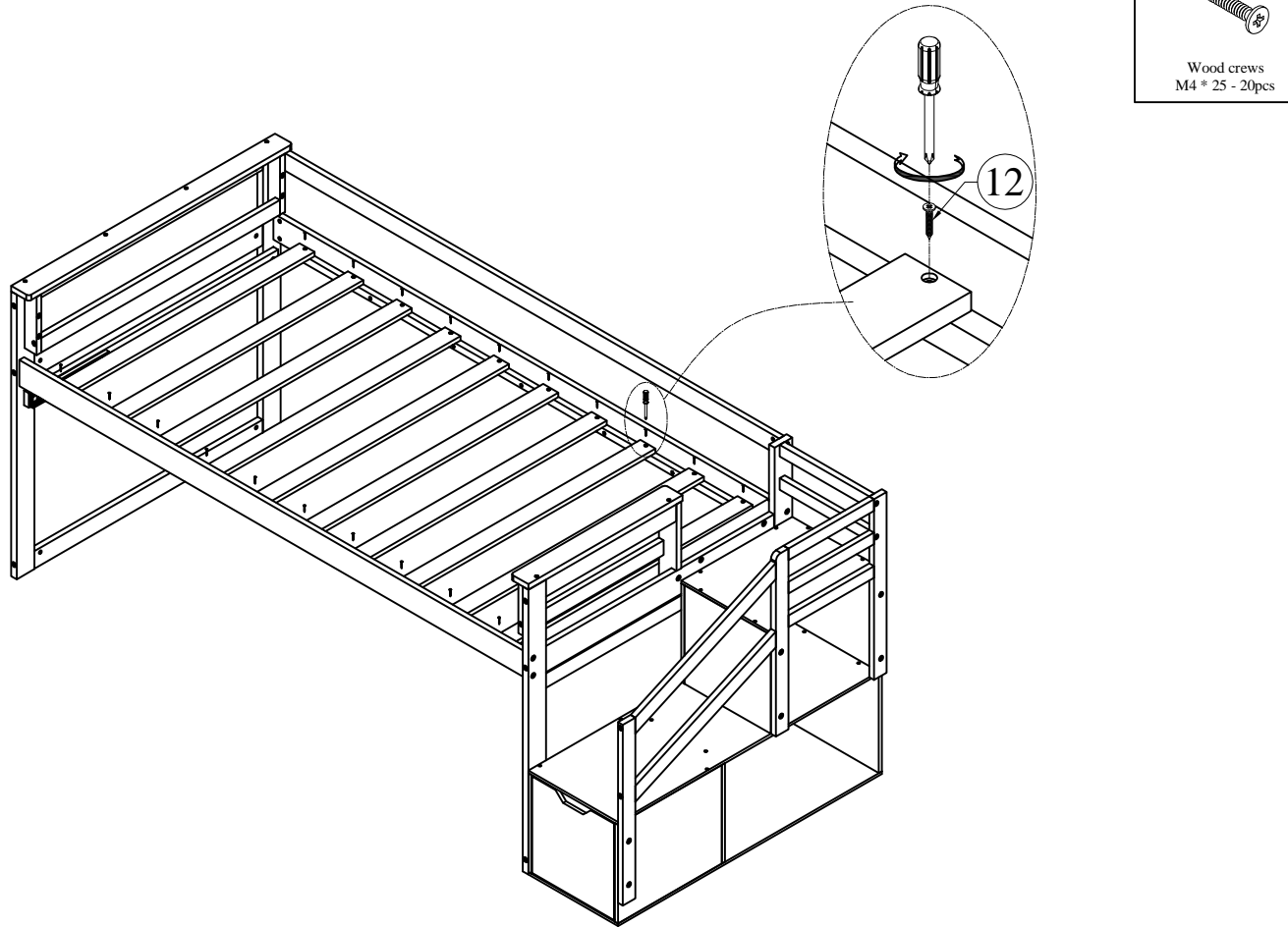
5  
Hexagonal bolts catch wood  
Ø6 \* 50 - 2pcs

7  
Canopy head though  
Ø1/4" - 3pcs

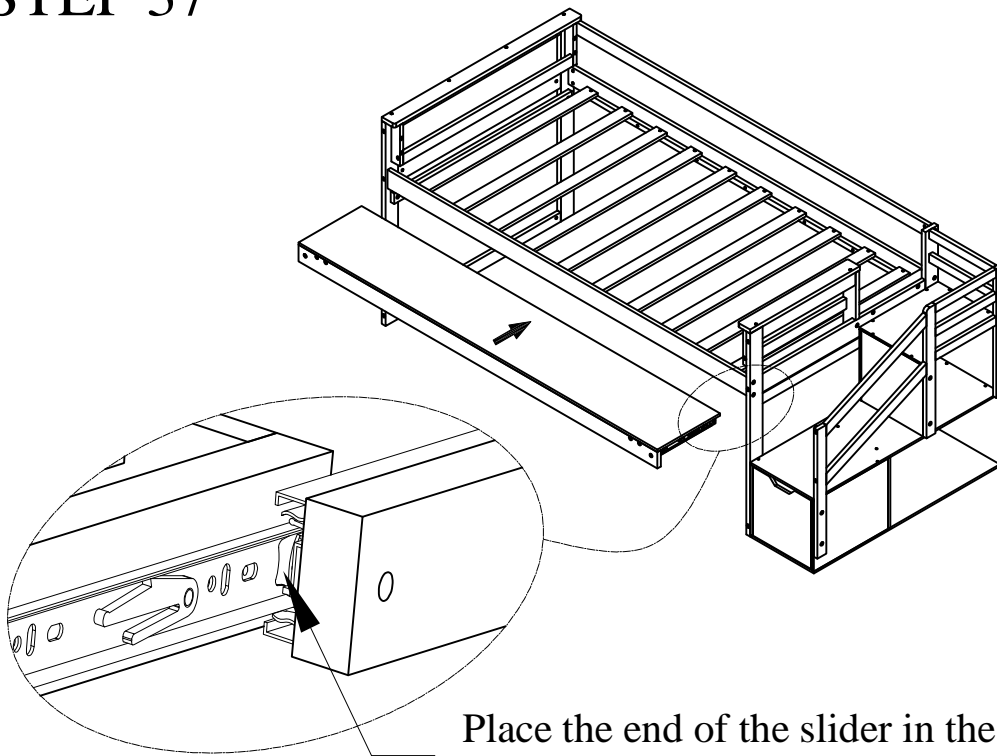
# STEP 35



# STEP 36

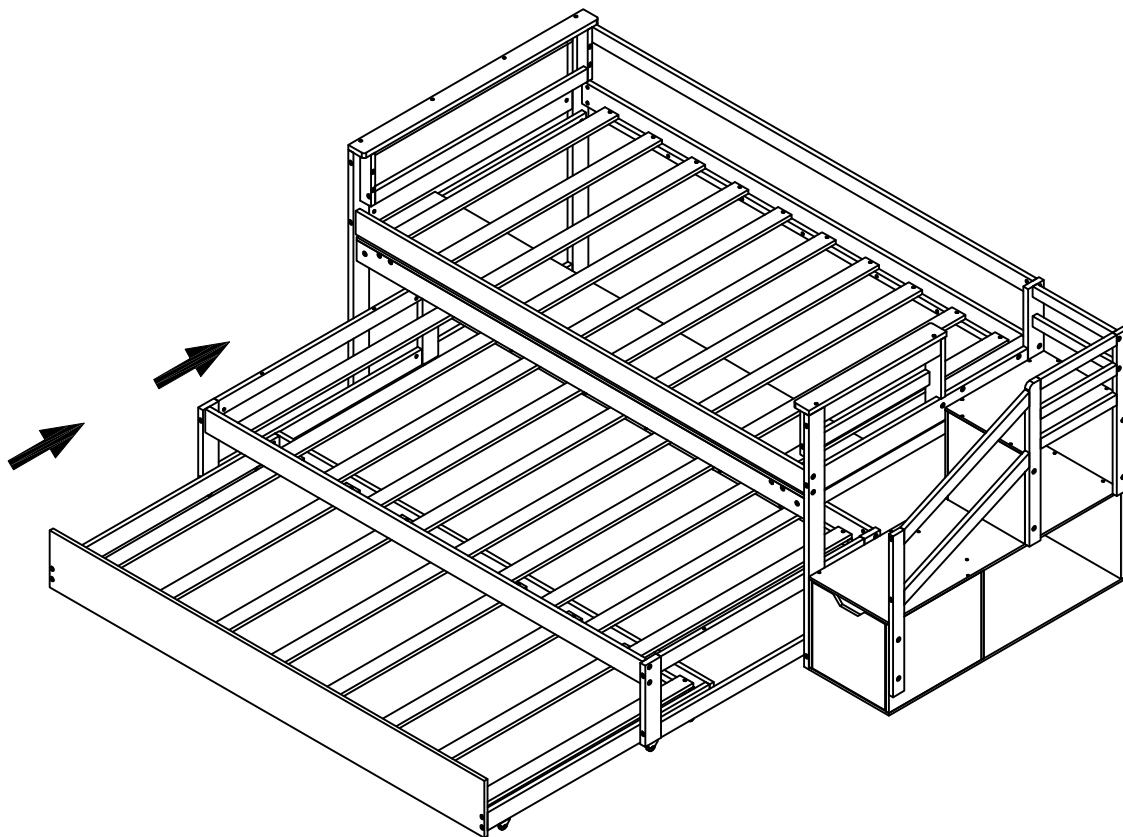


## STEP 37

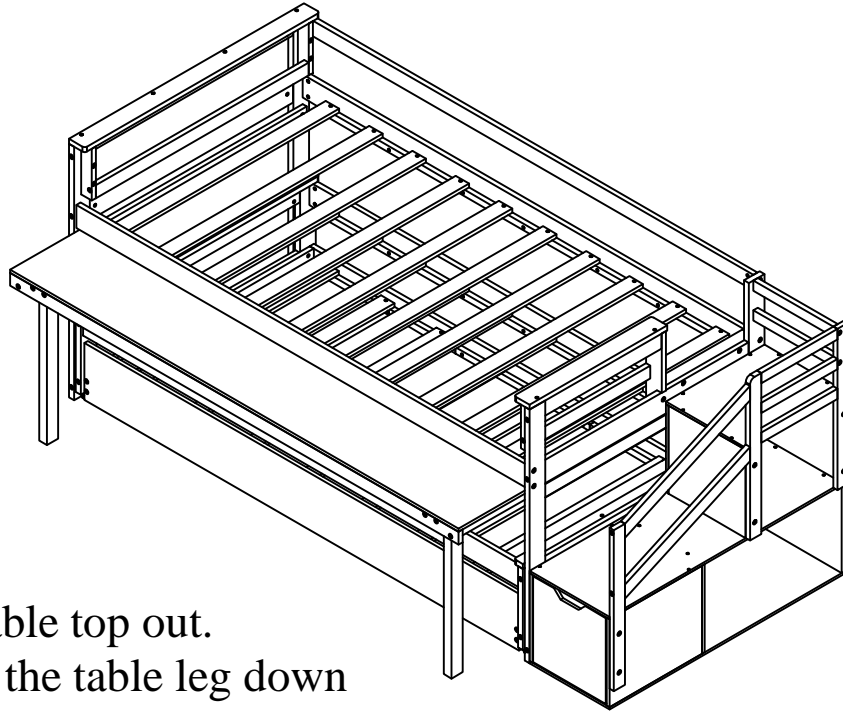


Place the end of the slider in the groove before pushing it in

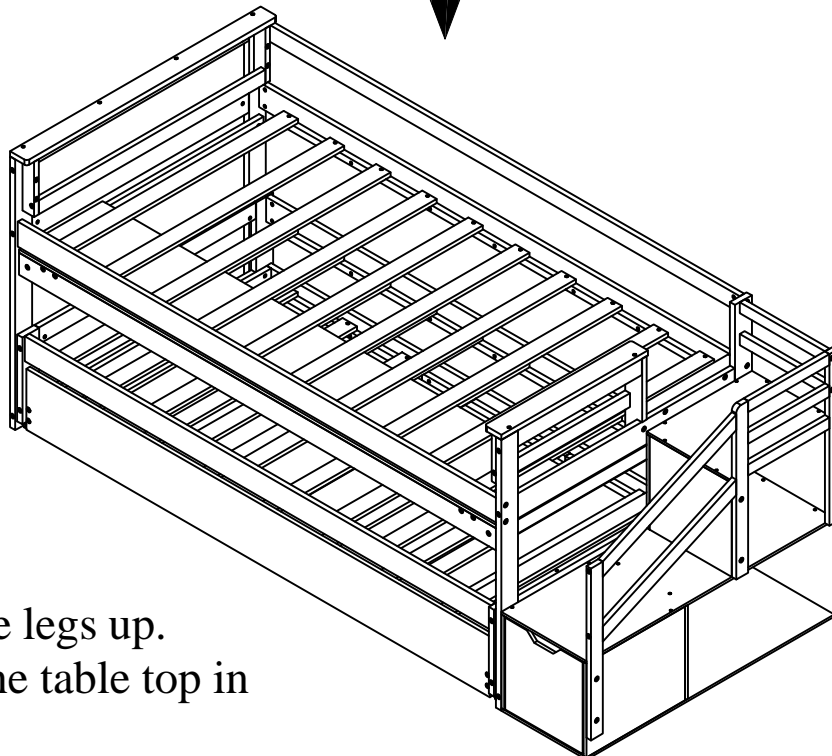
## STEP 38



# COMPLETED



Pull the table top out.  
Then pull the table leg down



Pull the table legs up.  
Then push the table top in