

WARNING

- ** WE RECOMMEND INSTALLATION OF THIS LIGHTING FIXTURE BE DONE BY A LICENSED ELECTRICIAN **
- *Switch off the main electrical supply from the main fuse box / circuit breaker before installation.
- * Inspect item carefully before attempting to install.
- * If there is any damages or obvious defects, do not install.
- * Item may not be returned once it has been installed.


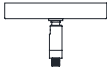
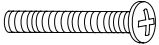

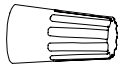

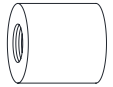

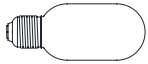


CARE AND MAINTENANCE

- * To clean the outside of the fixture, use a dry or slightly dampened clean cloth (use clean water, never a solvent) to wipe the surface of the fixture.
- * To clean the inside of the fixture, first disconnect power to the fixture by turning off the circuit breaker or by removing the fuse at the fuse box. Next, use a dry or slightly dampened clean cloth (use clean water, never a solvent) to wipe the interior surface of the fixture.
- * Do not use any cleaners with chemical, solvents or harsh abrasives. Use only a dry soft cloth to dust or wipe carefully.

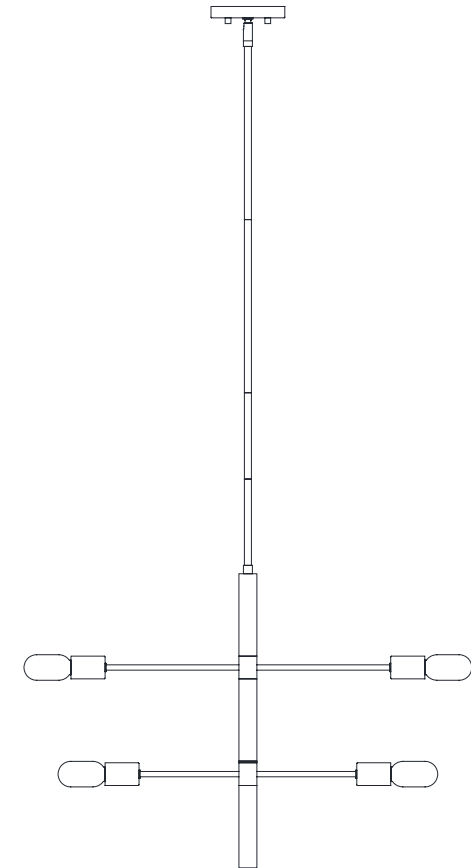
NOTICE& IMPORTANT SAFETY INSTRUCTIONS

- * Please make sure that you have all parts indicated before you begin assembly of this item
 - * This item should be assembled on a soft surface to prevent scratching the finish during assembly
 - * To reduce the risk of fire, electrical shock or injury to persons or property, please follow the guideline below for safe use and installation
 - * The external flexible cable or cord of this lamp cannot be replaced.
- If the cord is damaged, the lamp shall be destroyed.

Part List and Hardware List (Parts are not to scale)

PIECE	DESCRIPTION	PICTURE	QUANTITY	PIECE	DESCRIPTION	PICTURE	QUANTITY
A	Mounting bracket		1	F	Canopy assembly		1
B	Outlet box screw		2	G	Long tube		2
C	Wire nut		3	H	Short tube		2
D	Cap nut		2	I	Lamp body		1
E	Bulb		4	J	Upper wood column		1
				K	Bottom wood column		1

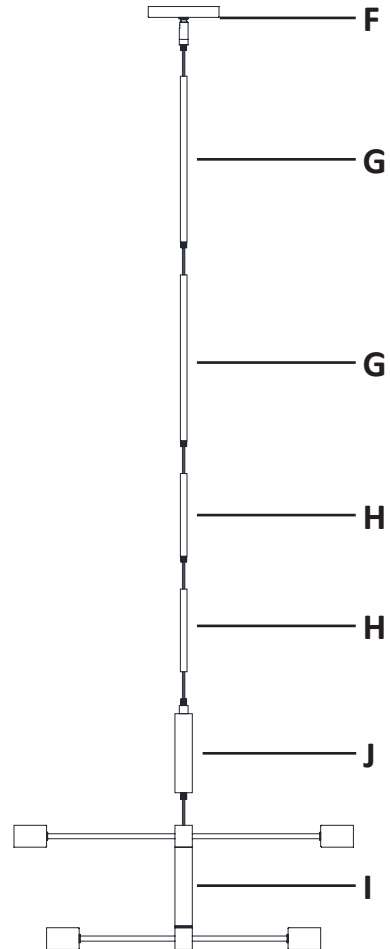
5"L X 5.125"W X 29.75-59.75"H



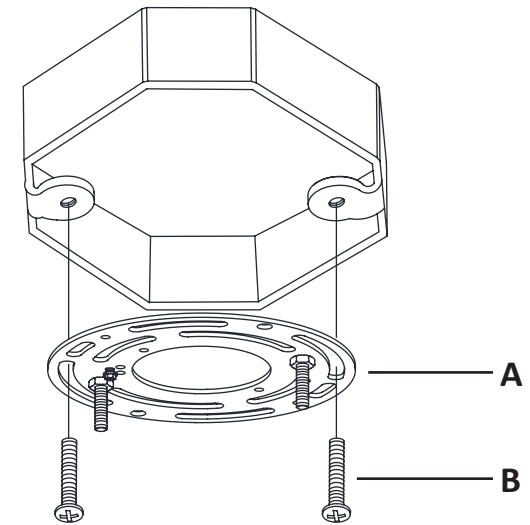
PREPARATION

- * Before beginning assembly of product, make sure all parts are present. Compare parts with package contents list and hardware contents list.
- * If any part is missing or damaged, do not attempt to assemble the product.
- * Estimated Assembly Time: 20 minutes.
- * If you are having difficulty, our friendly Customer Care team is always here to help.

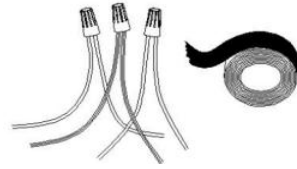
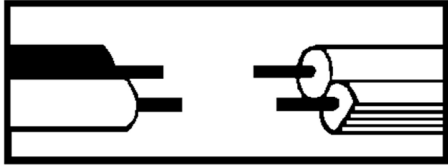
NOTE: PLEASE USE TYPE "A" BULB MAX 25-WATT OR LED BULB MAX 9-WATT, THERE ARE 4 PCS LED 4-WATT BULB IN THE BOX



Step 1: Unpack all parts from cartons carefully. Guide the fixture wire with the bare copper ground wire through the Upper wood column (J), short tubes (H), long tubes (G) and the canopy assembly (F) as your desired length. Rotate each tubes and canpy assembly (F) clockwise till tight.



Step 2: Fasten the mounting bracket (A) onto the outlet box using two outlet box screws (B).



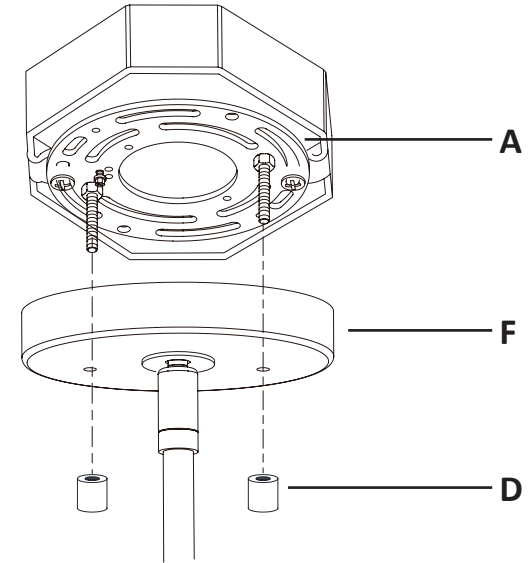
Step3: Strip 3/4 in. of insulation from the wire ends.

Connect the glossy/live wire (labeled "L") from the fixture to the black wire from the outlet box, then connect the rough/neutral live wire (labeled "N") from the fixture to the white wire from the outlet box.

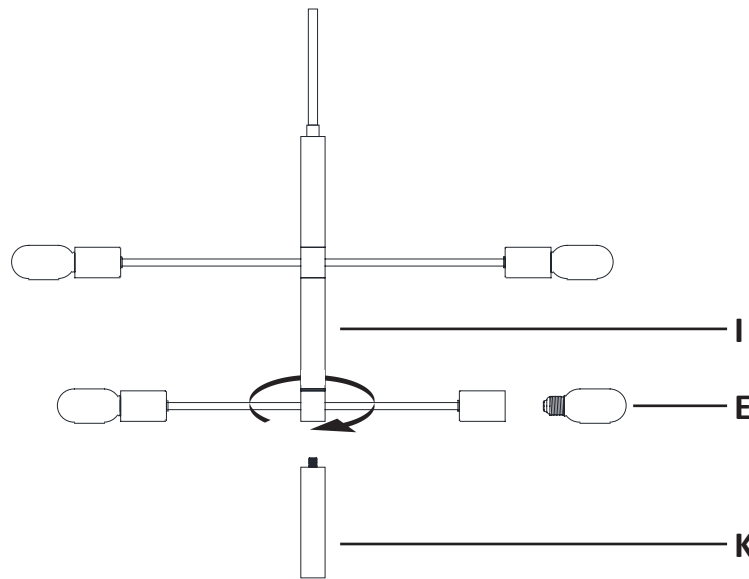
CAUTION: Do not reverse the hot and neutral connections

Grounding Instructions:

Wrap ground wire from outlet box around green ground screw on mounting bracket, no less than 2" from wire end. Tighten ground screw. If fixture is supplied with a ground wire, connect to outlet ground wire with a wire nut.



Step 4: Place the canopy assembly (F) over the outlet box, and ensure the heads of the support screws of the mounting bracket (A) come through the holes of the canopy assembly (F). Tighten the cap nuts (D) onto the protruding support screws on the mounting bracket (A) until the canopy assembly (F) is held firmly against the ceiling.



Step 5: Install the light bulbs (E) into the socket of the lamp body (I).

Screw the bottom wood column (K) to the lamp body (I). Adjust the below arm to the desired position.