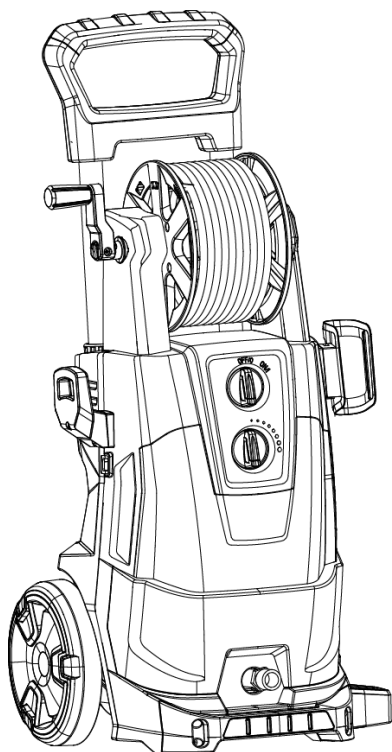




SKU: AI1376

APW-VDN-130P(B) High Pressure Cleaner Operator Manual



**BEFORE OPERATING THIS APPLIANCE.
PLEASE READ THESE INSTRUCTIONS CAREFULLY**



SYL Moda Trading LTD
Po Box 148, Manchester, M266BJ, United Kingdom
sylmodatradingltd@gmail.com

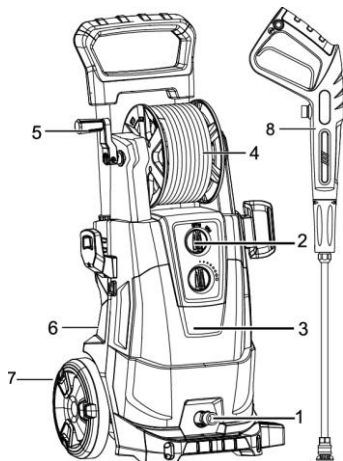


ZHEJIANG ANLU CLEANING MACHINERY CO., LTD
No.899 JINQING WEST AVENUE, LUQIAO AREA TAIZHOU CITY, ZHEJIANG PROVINCE, CHINA

OVERVIEW

Item Description

1. Water inlet
2. On/off switch
3. High pressure washer
4. Hose Reel with Trigger Gun Hose
5. Hose Reel Handle
6. Water outlet
7. Mobile adapter bracket with wheel
8. Gun



APPLICATION

THE PORTABLE PRESSURE WASHING MACHINE is a highly specialized multifunctional machine with exceptionally reliable safety assurance, which may be used to wash and clean cars, bikes and other outdoor equipment or garden patios, green houses etc.

Helpful Hints for Getting Started

Automatic ON/OFF:

The motor on this pressure washer does not run continuously. It only runs when the trigger of the spray gun is squeezed. After following the start up procedures in this manual, turn the pressure washer ON and squeeze the trigger for activation. See the section of this manual entitled "Operating Instructions" for further details on this feature.

Bleeding the Gun:

It is very important to bleed the gun before using the pressure washer. Squeeze the trigger to allow any air that is trapped inside of the unit and hose to escape. Continue to squeeze trigger until a steady stream of water comes from the nozzle. (This process may take up to 2 minutes). See the section of this manual entitled "Operating Instructions" for further details on this process.

SAFETY REGULATIONS

The electric supply connection shall be made by a qualified electrician and comply with IEC 60364-1

Electric supply should include a residual current device for max. 30 mA

WARNING: The appliance is intended to be used at a temperature above 0 degree.

WARNING: Read all the instructions before using the product.

WARNING: Before each use pressure must be released! Trigger on wand then start the washer

WARNING: To reduce the risk of injury, close supervision is necessary when a product is used near children. High-pressure cleaner shall not be used by children or untrained person.

WARNING: Know how to stop the product and bleed pressures quickly. Be thoroughly familiar with the controls.

WARNING: Stay alert and watch what you are doing.

WARNING: Do not operate the product when fatigued or under the influence of alcohol or drugs.

WARNING: Keep operating area clear of all persons.

WARNING: Do not overreach or stand on unstable support. Keep good footing and balance at all times.

WARNING: Follow the maintenance instructions specified in the manual.

WARNING: This product must be grounded. If it should have malfunction or breakdown, grounding provides a path of least resistance for electric current to reduce the risk of electric shock. The plug must be plugged into an appropriate outlet that is properly installed and grounded in accordance with all local codes and ordinances. The rating voltage (V/Hz) of the appliance has to be in compliance with the local power supplying voltage.

WARNING: Check with a qualified electrician or service personnel if you are in doubt as to whether the outlet is properly grounded. Do not modify the plug provided with the product. If it will not fit the outlet, have a proper outlet installed by a qualified electrician. Do not use any type of adapter with this product.

WARNING: Use only 3-wire extension cords that have 3-prong grounding-type plugs and 3-pole cord connectors that accept the plug from the product. Use only extension cords that are intended for outdoor use and the socket must be of watertight construction. These extension cords are identified by a marking "Acceptable for use with outdoor appliances; store indoors while not in use." Use only extension cords having an electrical rating not less than the rating of the product. Do not use damaged extension cords. Examine extension cord before using and replace if damaged. Inadequate extension cords can be dangerous. Do not abuse extension cord and do not yank on any cord to disconnect. Keep cord away from heat and sharp edges. Always disconnect the extension cord from the receptacle before disconnecting the product from the extension cord.

WARNING: If the supply cord is damaged, it must be replaced by a special cord or assembly available from the manufacturer or its service agent; and should not change the length of the cable.

WARNING: To reduce the risk of electrocution, don't start and run the machine in the rain or storm. Keep all connections dry and off the ground. Do not touch plug with wet hands. It is strictly prohibited to let water leak into the machine.

WARNING: When the machine is turned on, the interior pumps start and continue to run even if the pressure wand trigger has not been depressed. Running the machine for more than 3 minutes without depressing the pressure wand trigger could cause heat damage to the motor and pumps. Please do not leave the machine running unattended or unused for more than 3 minutes.

WARNING: When the machine is running, please maintain a constant water supply. Without water circulation will damage the sealing rings of the machine.

WARNING: It is necessary to turn on the spray lance within one or two minutes after the machine has been started. Otherwise, the temperature of the circulating water within the machine will soon rise to a critical point, which will cause damage to the sealing rings inside the machine.

WARNING: Don't start and run the machine in a place excessively cold so as to prevent the machine from the freezing current.

WARNING: This appliance has been designed for only using cleaning water, do not use corrosive chemicals.

WARNING: Use cleaning agent supplied or recommend by the manufacturer.

WARNING: Do not use the appliance within the range of persons unless they wear protective clothing.

WARNING: High-pressure jets can be dangerous if subject to misuse. The jet must not be directed at persons, live electrical equipment or the appliance itself. Pressure washers should not be pointed at tire walls, as it may be possible to damage them.

WARNING: Do not direct the jet against yourself or others in order to clean clothes or footwear.

WARNING: Disconnect from the electrical power supply before carrying out user maintenance.

WARNING: To ensure the appliance safety, please only use original spare parts from the manufacturer or approved by the manufacturer. Do not use the machine before you changed them if they are damaged.

WARNING: High pressure hoses, fittings and couplings are important for the safety of the appliance. Use only hoses, fittings and couplings recommended by the manufacturer

WARNING: Do not use the appliance if a supply cord or important parts are damaged, e.g. safety devices, high pressure hoses, trigger gun.

WARNING: Incorrect fuels shall not be used, as they may prove hazardous.

WARNING: Be aware of the recoil caused by the water jet when the machine is switched on.

OPERATING INSTRUCTIONS

! This unit is to be connected to a cold water source **ONLY**

! The motor of this pressure washer will NOT run, it will only operate when the trigger is squeezed.

- Connect the outlet hose to the washer and connect the spray gun to the outlet hose.
- Connect nozzle and nozzle extension.
- Check gauze filter is clear of any blockage.
- Connect the water supply hose.
- Check that the hose has no kinks in it.
- Turn on water and check for leaks.
- Depress trigger to allow air to be expelled through the pump and hoses, lock trigger.
- Plug in machine and turn on switch.
- Unlock trigger and use the pressure washer.

SHUT DOWN

1. Turn off the motor(push switch to the off position)
2. Unplug the unit from the power source.
3. Turn off the water supply.
4. Press the trigger of the gun to depressurize the system.
5. Disconnect the garden hose from the pressure washer.
6. Wipe all surfaces of the unit with a damp clean cloth.
7. Engage the gun safety lock.

CAUTION: ALWAYS turn off the unit's motor BEFORE turning off the unit's water supply. Serious damage could occur to the motor if the unit is run without water.

CAUTION: NEVER disconnect the high-pressure discharge hose from the machine while the system is still pressurized. To depressurize the unit, turn off the motor, turn off the water supply and squeeze the trigger 2-3 times.

SPRAY NOZZLES

The Pressure Washer comes furnished with four spray nozzles. Each nozzle is color coded and delivers a specific spray pattern and pressure for a particular cleaning job. The size of the nozzle determines the size of the fan spray and the pressure out of the nozzle.

0°Nozzle – Red: This nozzle delivers a pinpoint stream of pressurized water and is extremely powerful. It covers only a small area of cleaning. This nozzle should only be

directed at surfaces that can withstand high pressure such as metal or concrete. Do not use this nozzle to clean wood. (fig 1)



Fig 1



Fig 2



Fig 3



Fig 4

25° Nozzle – Green: This nozzle delivers a 25 degree spray pattern for intense cleaning of larger areas. This nozzle should only be used on areas that can withstand pressure from this nozzle. (fig 2)

Chemical Nozzle – Black: This nozzle is used to apply special chemicals and cleaning solutions. This nozzle produces the weakest pressure stream of the five nozzles. (fig 3)

Turbo Nozzle: This nozzle circulates a powerful spray into a circular pattern to provide greater cleaning efficiency over large areas. (fig 4)

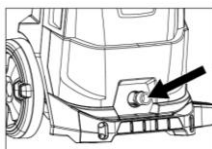


Fig 3

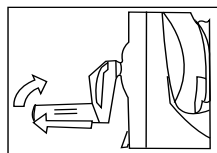


Fig 4

WATER INLET SCREEN

The water inlet filter must be inspected regularly, so as to avoid blockage and restriction in the water supply to the pump (fig 3).

HOSE-REEL HANDLE

The hose reel handle turns down for use and up for storage. To turn up the handle, pull out and turn up. (fig 4)

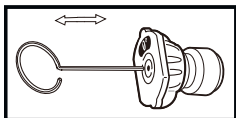
GUN SAFETY DEVICE

Whenever you use the high pressure washer, we suggest you grip the in the right position, with one hand on the handle and the other on the lance, When you stop the machine it is necessary to use the safety lock placed on the gun in order to avoid accidental.



CLEANING PIN INSTRUCTION

- Using included tip cleaner, or an unfolded paper clip, insert wire into the nozzle hole and move back and forth until debris is dislodged.

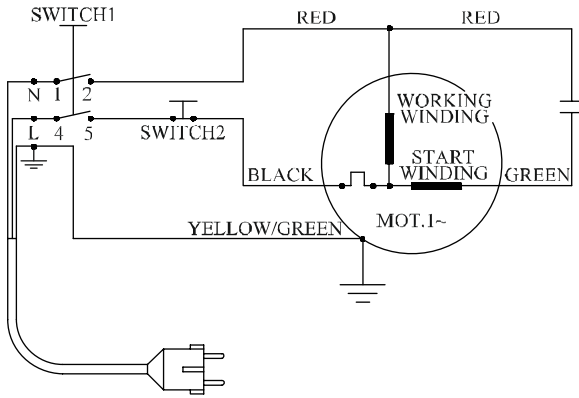


- Remove additional debris by back-flushing water through the nozzle. To do this, place end of a garden hose (with water running) to the end of nozzle for 30-60 seconds.

MAJOR TECHNICAL DATA

ITEM	APW-VDN-130P(B)
Working pressure	13MPa(130 bar)
Max. pressure	19.5MPa(195 bar)
Flow	6.7 l/min
Max. flow	8.0 l/min
Max. pressure water supply	0.4MPa(4bar)
Motor Capacity	2500W
Power Supply Voltage	240V-50Hz
Max. Water Temperature	50 °C

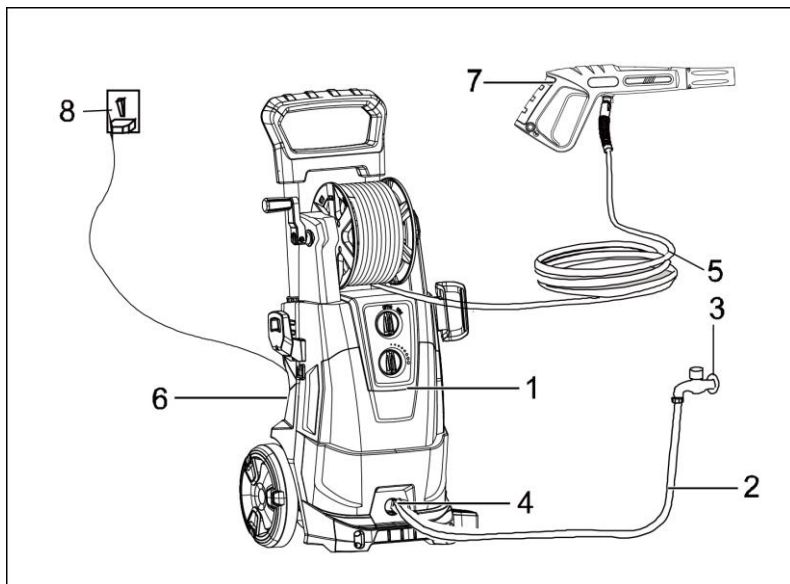
ELECTRICAL DIAGRAM



TROUBLE SHOOTING

FAULT	PROBABLE CAUSE	REPAIR
<p>When switched on the machine will not start working</p>	<p>Plug is not well connected or electric socket is faulty</p> <p>The main voltage is insufficient, lower than minimum requirement</p> <p>The pump is stuck.</p> <p>Thermal safety switch has tripped</p>	<p>Check plug, socket</p> <p>Check that the main voltage is adequate.</p> <p>Refer to after storage instructions.</p> <p>Switch off the unit and let the motor cool for a few minutes</p> <p>Leave the lance open</p>
<p>Fluctuating Pressure</p>	<p>Pump sucking air.</p> <p>Valves dirty, worn out or stuck.</p> <p>Pump seals worn out.</p>	<p>Check that hoses and connections are airtight.</p> <p>Clean and replace, or refer to dealer..</p>
<p>Water leaking from the pump.</p>	<p>Seals worn out.</p>	<p>Check and replace, or refer to dealer.</p>
<p>The motor stops suddenly.</p>	<p>Thermal safety switch has tripped due to overheating.</p>	<p>Check that the main voltage corresponds to specifications.</p> <p>Switch off the unit and let it cool for a few minutes.</p>
<p>The pump doesn't reach the necessary pressure.</p>	<p>Water inlet filter is clogged.</p> <p>Pump sucking air from connections or hoses.</p> <p>Suction/ delivery valves are clogged or worn out.</p> <p>Unloaded valve is stuck.</p> <p>Lance nozzle incorrect or worn out.</p>	<p>Clean the water inlet filter.</p> <p>Check that all supply connections are tight</p> <p>Check that the water feeding hose is not leaking.</p> <p>Clear or replace valves.</p> <p>Loosen and re-tighten regulation screw.</p> <p>Check and/or replace</p>

INSTALLATION, ELECTRICAL AND WATER CONNECTIONS



- | | |
|-----------------------|-----------------------------------|
| 1. PRESSURE CLEANER | 2. WATER SUPPLY HOSE(not include) |
| 3. WATER CONNECTION | 4. WATER INLET |
| 5. HIGH PRESSURE TUBE | 6. HIGH-PRESSURE, WATER OUTLET |
| 7. SPRAY GUN | 8. POWER SUPPLY |

Note: The company reserves the right to modify its product specifications without given any notice; for up to date information please visit our website.



Meaning of crossed –out wheeled dustbin:

Do not dispose of electrical appliances as unsorted municipal waste, use separate collection facilities.

Contact your local government for information regarding the collection systems available.

If electrical appliances are disposed of in landfills or dumps, hazardous substances can leak into the groundwater and get into the food chain, damaging your health and well-being.

When replacing old appliances with new ones, the retailer is legally obligated to take back your old appliance for disposals at least free of charge.

This appliance is not intended for use by persons (including children) with reduced physical, sensory or mental capabilities, or lack of experience and knowledge, unless they have been given supervision or instruction concerning use of the appliance by a person responsible for their safety.

Children should be supervised to ensure that they do not play with the appliance.



EC	REP
----	-----

SYL Moda Trading LTD

**Po Box 148,Manchester,M266BJ,United Kingdom
sylmodatradingltd@gmail.com**



ZHEJIANG ANLU CLEANING MACHINERY CO.,LTD

No.899 JINQING WEST AVENUE, LUQIAO AREA TAIZHOU CITY, ZHEJIANG PROVINCE, CHINA