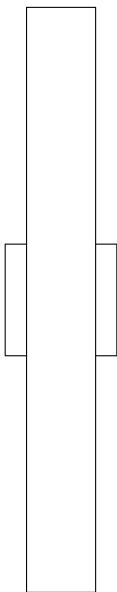


edishinē

# LED Outdoor Wall Light

SKU: HOWL22C/D

[Instruction Manual]



Please pay attention to the warning signs  
Read the instructions with caution before operating  
and keep it properly

## Warning:

Risk of fire. Min 75°C supply conductors. Consult a qualified electrician to ensure correct installation. Before installation, please turn off the main power of the circuit breaker to prevent possible electric shock.

## Packing list

Part	Description	Quantity
1	LED Wall light	1pc
2	Wire Connectors	3pcs
3	Self Tapping Screw	4pcs
4	Plastic Anchor	4pcs
5	Mounting Screw for J-BOX	2pcs
6	Mounting Plate	1pc
7	Instruction Manual	1pc

## Specifications

- Input Voltage: 120-277VAC, 60Hz
- LED light: 24W, 1800Lm, 3CCT (3000K/4000K/5000K)
- CRI:  $\geq 90$
- Function : 120V TRIAC Dimming (Dimming range: 10%-100%)
- Material: aluminium, iron, PC
- Dimensions: 21.65"(H) x 4.13"(W) x 2.16"(D)

## Installation Instructions

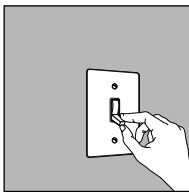


FIG.1 WALL SWITCH

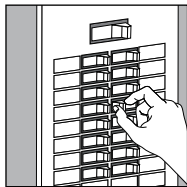


FIG.2 BREAKER PANEL

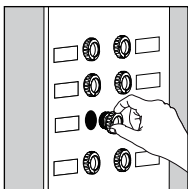


FIG.3 FUSE BOX

**NOTE:** PLEASE INSTALL THIS WALL LANTERN 1.2 METERS 3.94 FEET ABOVE THE GROUND

### STEP 01: POWER OFF

FIG.1. Turn the wall switch to the "OFF" position. Depending on which type of fuse box in your home;

FIG.2. Either turn the main (Master) switch to the "OFF" position to cut off the power supply of the entire home, or turn off the individual switch that supplies power to the fixture installation location.

OR

FIG.3. Either turn the main (Master) switch to the "OFF" position to cut off the power supply of the entire home, or unscrew the fuse that supplies or turn off the individual switch that supplies power to the fixture installation location.

### STEP 02: INSTALL THE MOUNTING PLATE

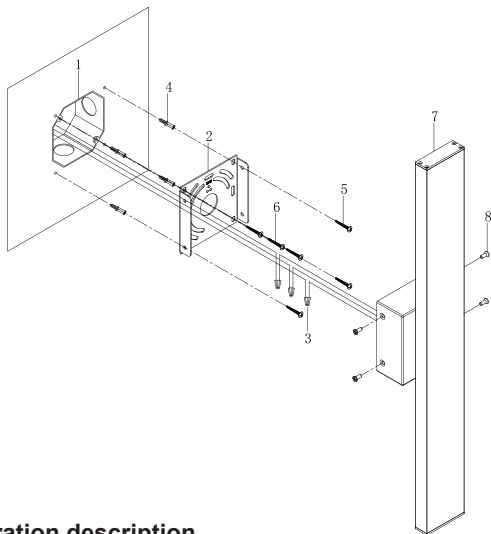
Unscrew the fixture screws(8) and remove mounting plate(2) first, then install the mounting plate to the junction box(1) (not included) in the wall with expansion screws(4) and mounting screw(5). Make sure that the wire can pass through the center hole of the mounting plate from the inside of the junction box(not included).

### STEP 03: CONNECT THE WIRE

Connect the fixture wires to the internal wires from the junction box (not included) with the wire connectors(3). Make sure that the wires are connected correctly. Black wire to live wire, white wire to neutral wire, ground wire to ground wire. Wrap the ground wire around the screw on the mounting plate, then secure the screw to the mounting plate.

## STEP 04: FIX THE LIGHT

Secure the light body(7) to the mounting plate(2) and tighten the fixture screws(8) on both sides. Make sure that the light body(7) is perfectly fixed and that the wires are not pinched between the mounting plate and the fixture.



## Operation description

1.Color temperature selection: Turn off the switch and turn it on again within 10S to switch the color temperature. NOTE: If the color temperature of two fixtures is different after turning on, please quickly switch on and off twice in one second, and the color temperature will both change to 5000K.

2.Dimming function: Brightness adjustment range 10%-100%.

Memory function: More than 10 seconds to open again, memory the color temperature and brightness before power off.

## NOTE:

To ensure waterproofing, please fill Sealant or Glue in all gaps where the wall and lighting fixtures are attached after fixing the light.

## List of compatible dimmers

Brand	Model number
Lutron	DVCL-153PR (15%)
	MACL-153MLH-WH (10%)
	P-PKG1W-WH-R (7.5%)
	STCL-153PH-WH (5%)
Leviton	R11-DSL06-1TW (15%)
	R00-RNL06-0TW (10%)
	R02-DW6HD-2RW (5%)
	R68-06674-P0T (2.5%)
Legrand	RHCL453PNICCV4 (10%)
TP-link	HS220 (5%)
Commercial Electric	HPDA311CWB (15%)

## One Year Limited Warranty

Supported by our professional R&D team and QC team, we provide One Year Warranty for materials and workmanship from the purchase date. Please note that the warranty does not cover damage caused by personal misuse or improper installation.

Please attach your Order ID and Name so that our dedicated customer service team can help you better.

