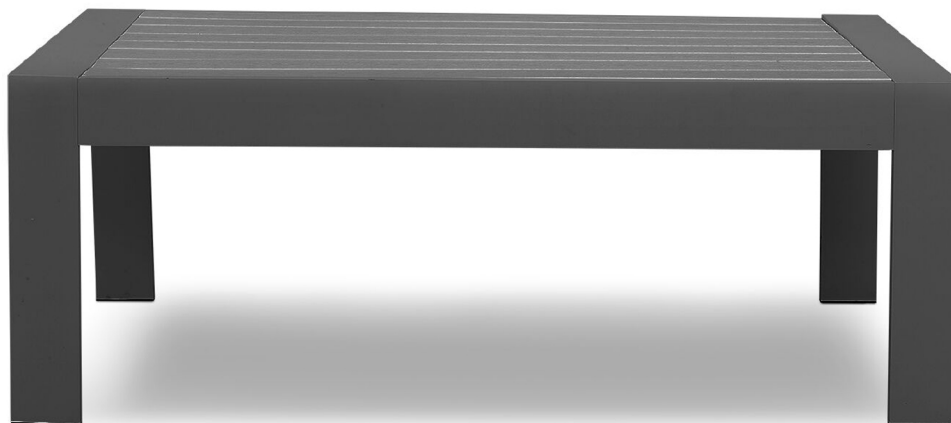


ASSEMBLY INSTRUCTIONS



DO NOT RETURN PRODUCT TO THE STORE !

If parts are missing or damaged, we reissue replacement parts for you.





Please **E-Mail: megogroup@163.com**

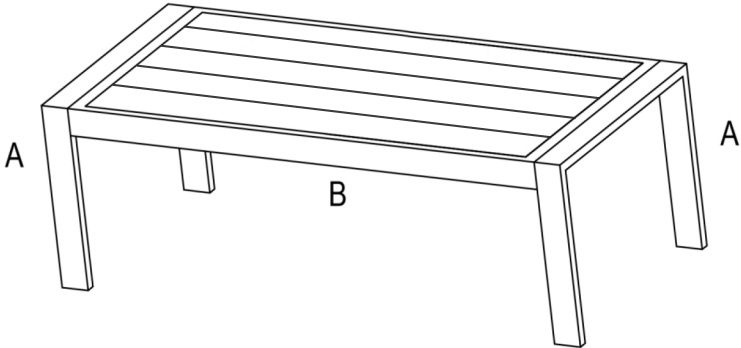
NOTICE:

- Before beginning assembly of product, Compare parts with parts list, make sure all parts are present.
- Please keep all the packaging for the product as we can't accept returned product not in the original packaging.

Assembly Instructions

Please check you have all the parts listed below

No	Fitting	QTY
a4	 (M6*25) Bolt	8
a5	 Washer	16
a6	 Nut	8
a7	 Wrench	1



NOTE:DO NOT TIGHTEN THE SCREWS UNTIL THE ITEM IS COMPLETELY ASSEMBLED

Step 1

