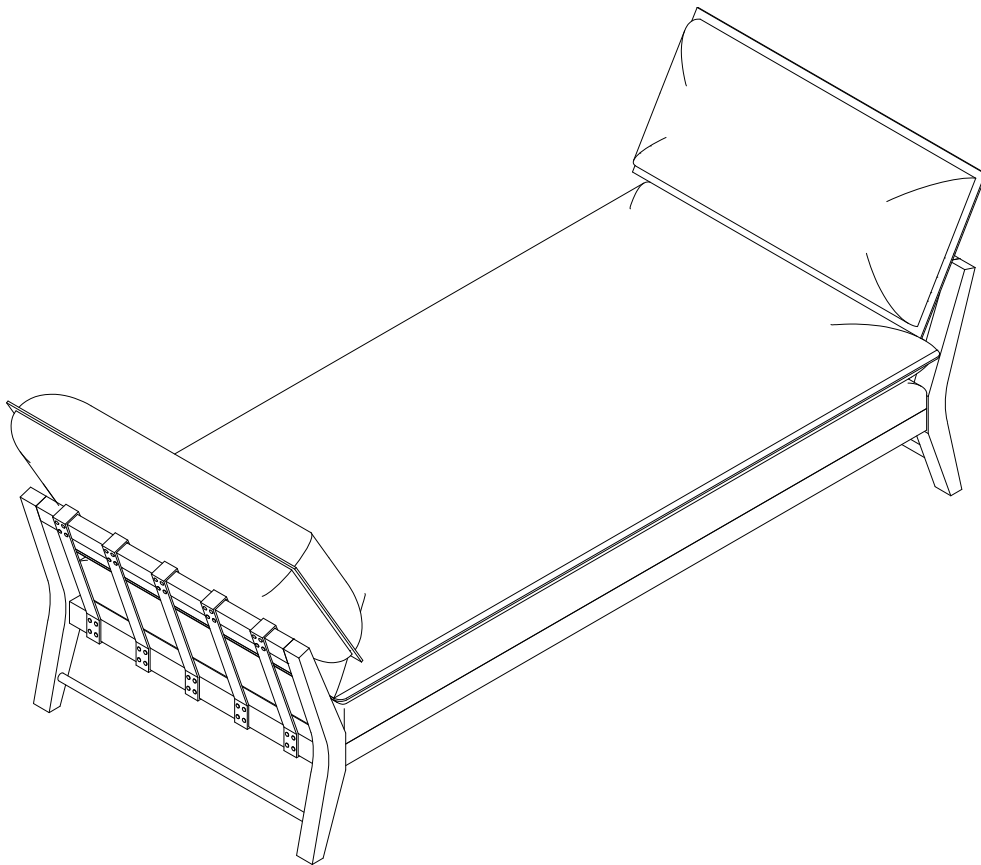


ASSEMBLY INSTRUCTIONS

MODEL # : 3098-800DB DAYBED (V#12600DTCL)

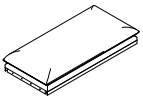

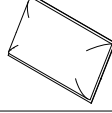
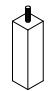

NOTE: KEEP THIS DOCUMENT FOR REFERENCE IN CASE PARTS ARE NEEDED
DO NOT TIGHTEN SCREWS UNTIL COMPLETELY ASSEMBLED!!
UNIT SHOULD BE ASSEMBLED BY TWO OR MORE PEOPLE.


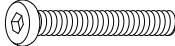

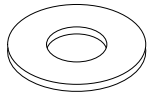
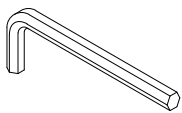


ASSEMBLY INSTRUCTIONS

MODEL # : 3098-800DB DAYBED (V#12600DTCL)

NOTE: KEEP THIS DOCUMENT FOR REFERENCE IN CASE PARTS ARE NEEDED
DO NOT TIGHTEN SCREWS UNTIL COMPLETELY ASSEMBLED!!
UNIT SHOULD BE ASSEMBLED BY TWO OR MORE PEOPLE.

No	PART LIST		Q'TY
A		SEAT CUSHION FRAME	1PC
B		ARM	2PCS
C		CUSHION	2PCS
D		SUPPORT LEGS	2PCS
E		PLASTIC WASHER	2PCS

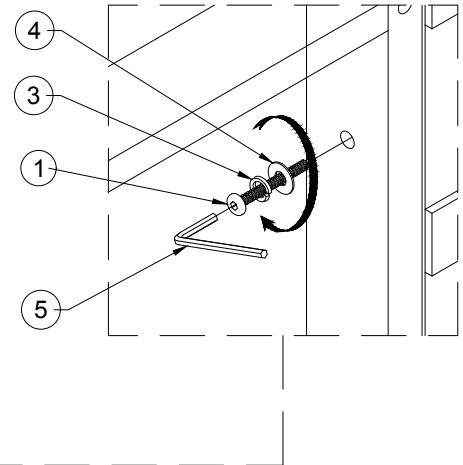
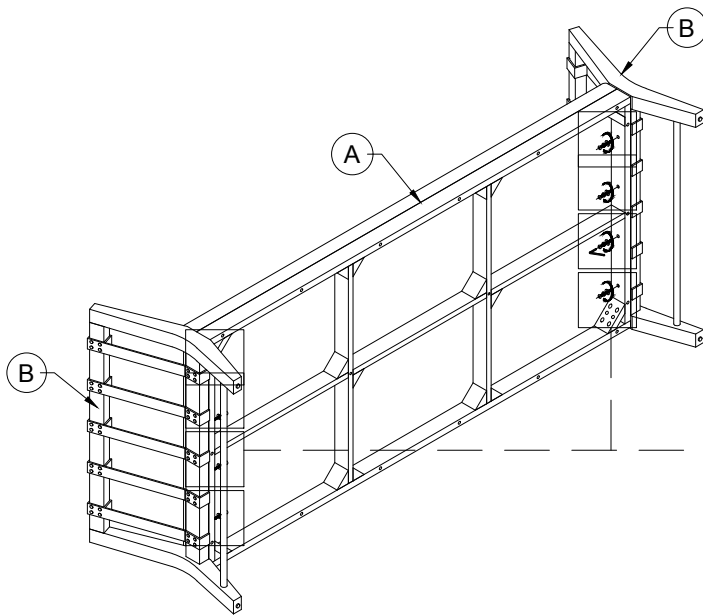
No	HARDWARE LIST		Q'TY
1		ALLEN BOLT Ø5/16x2-1/4"	8PCS
2		ALLEN BOLT Ø5/16x4"	8PCS
3		LOCK WASHER Ø5/16x13x1mm	16PCS
4		FLAT WASHER Ø5/16x19x1.5mm	16PCS
5		ALLEN KEY 2-3/8x4mm	1PC

ASSEMBLY INSTRUCTIONS

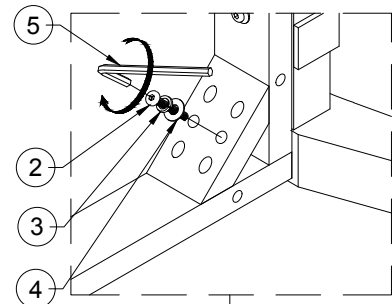
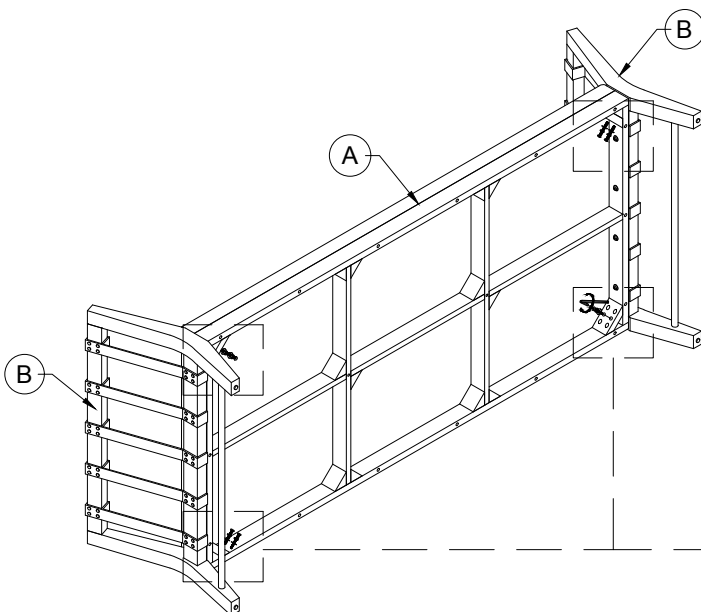
MODEL # : 3098-800DB DAYBED (V#12600DTCL)

NOTE: KEEP THIS DOCUMENT FOR REFERENCE IN CASE PARTS ARE NEEDED
DO NOT TIGHTEN SCREWS UNTIL COMPLETELY ASSEMBLED!!
UNIT SHOULD BE ASSEMBLED BY TWO OR MORE PEOPLE.

STEP 1



STEP 2

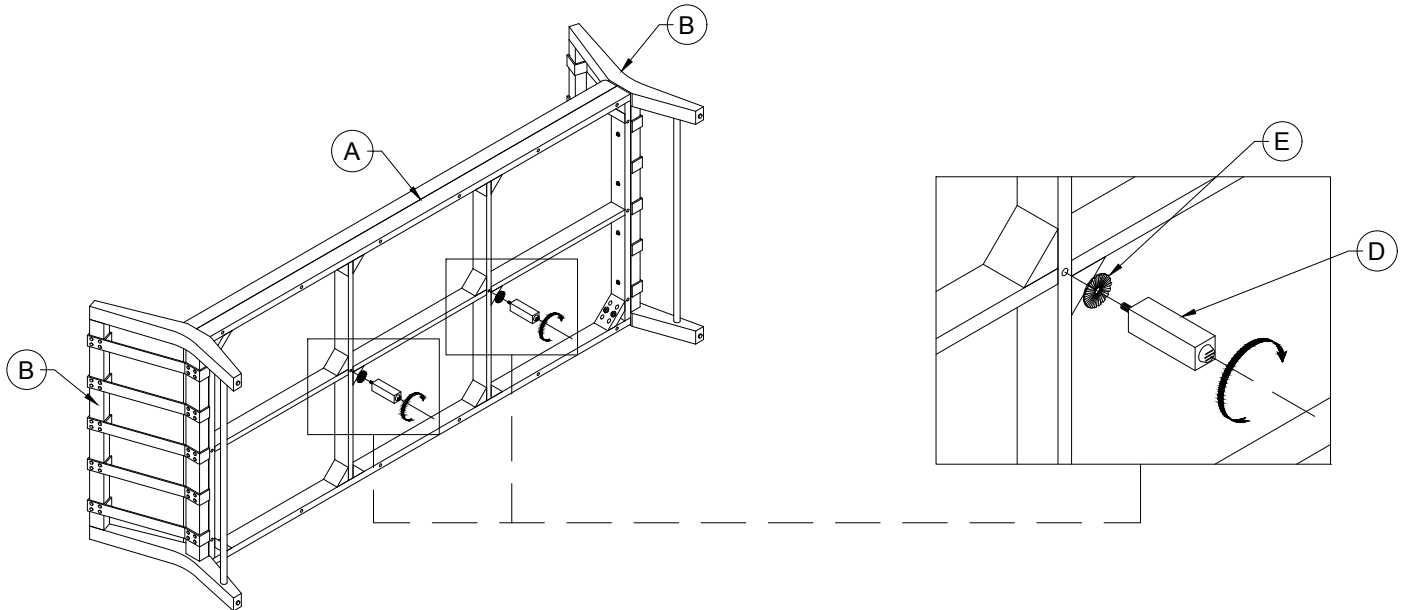


ASSEMBLY INSTRUCTIONS

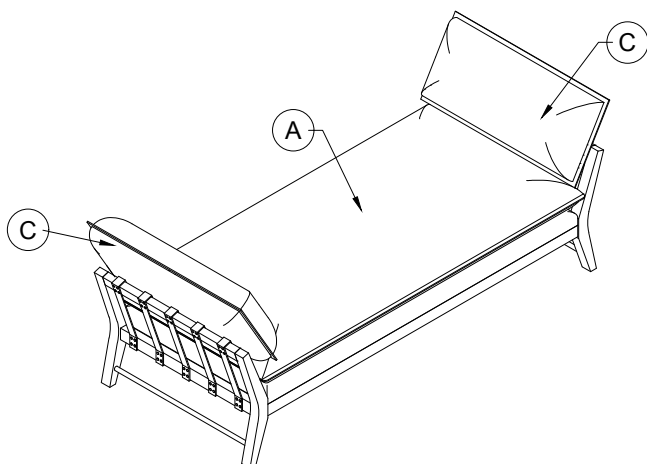
MODEL # : 3098-800DB DAYBED (V#12600DTCL)

NOTE: KEEP THIS DOCUMENT FOR REFERENCE IN CASE PARTS ARE NEEDED
DO NOT TIGHTEN SCREWS UNTIL COMPLETELY ASSEMBLED!!
UNIT SHOULD BE ASSEMBLED BY TWO OR MORE PEOPLE.

STEP 3



STEP 4



COMPLETE

