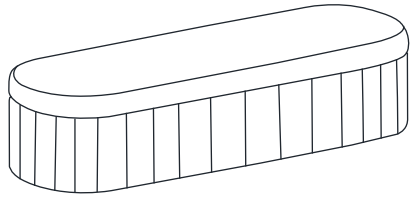


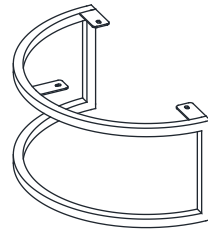
Assembly instructions

A



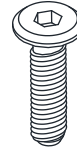
x1

B



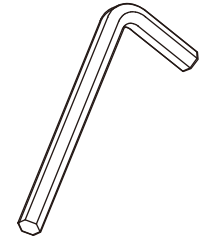
x2

C



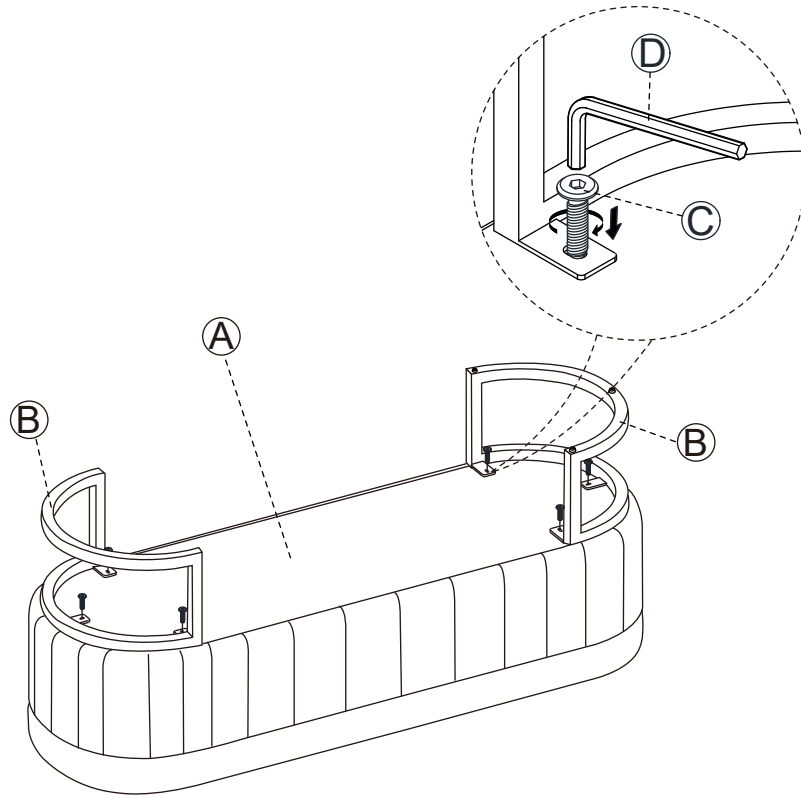
x6

D



x1

1.



2.

