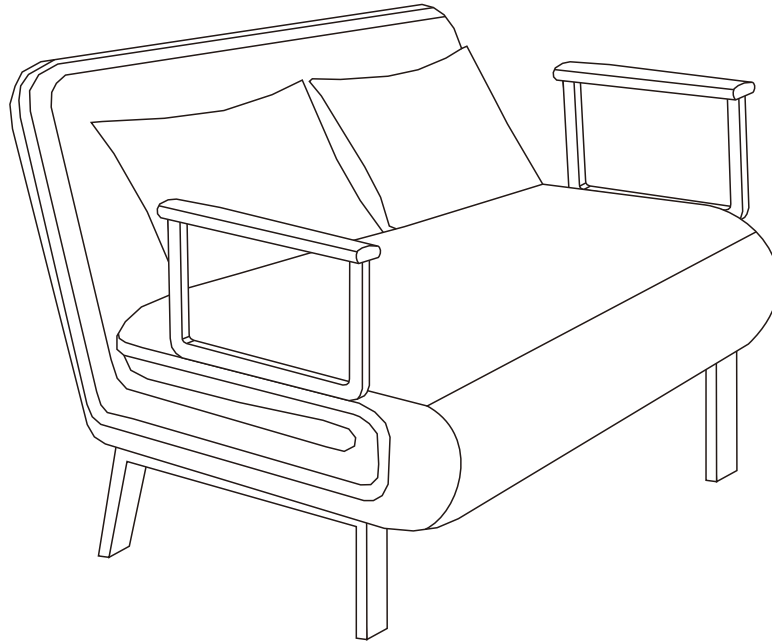


Assembly Instructions



WARNING:

The sofa bed is not to be used for standing purposes and will not function as a stool or step-ladder. Use on even surfaces only. Improper use of this product or failure to use as directed may result in injury. Not intended for commercial use.

IMPORTANT:

Please read all the instructions and warnings before assembling. In order to make the whole product adjust to the best, please install all the screws on the product before fully tighten.

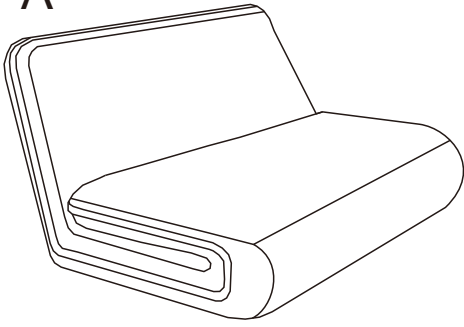
SAFETY INFORMATION:

- Keep all children and pets away from assembly area. Children and pets should be supervised when they are in the area of the product construction.
- Keep assembly area at least 6 feet from any obstruction such as a fence, garage, house, overhanging branches, laundry line or electrical wires.
- Some parts may contain sharp edges. When assembling and using this product, basic safety precautions should always be followed to reduce the risk of personal injury and damage to the product. Please read all instructions before assembly and use.
- Check all bolts for tightness before use. **IMPORTANT** - check and tighten bolts often to keep them secure!
- The sofa bed not to be used for standing purposes and will not function as a stool or step-ladder. Use on even surfaces only.

CARE & MAINTENANCE :

- Over time nuts and bolts can loosen. Occasionally, nuts and bolts on all sofa bed , re-tighten if necessary.

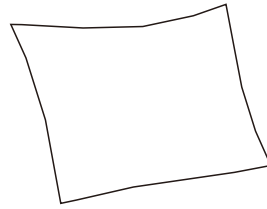
A



bed frame

x1

B



pillow

C



M8x12mm

The screw has been installed on the bed frame, please remove it before use

x8

D

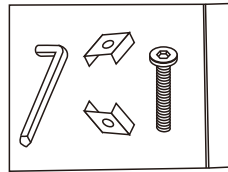


M8x35mm

The screw has been installed on the bed frame, please remove it before use

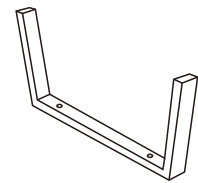
x4

E accessory pack



D, (M8*35mm*4)
G, (u-shaped acces sories*8)
H, (Allen wrench*1)
I, (Assembly Instructions*1)

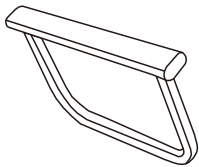
F



Sofa leg

x2

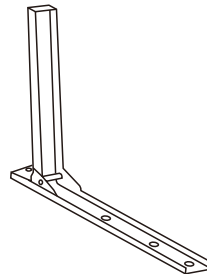
J



Armrest

x2

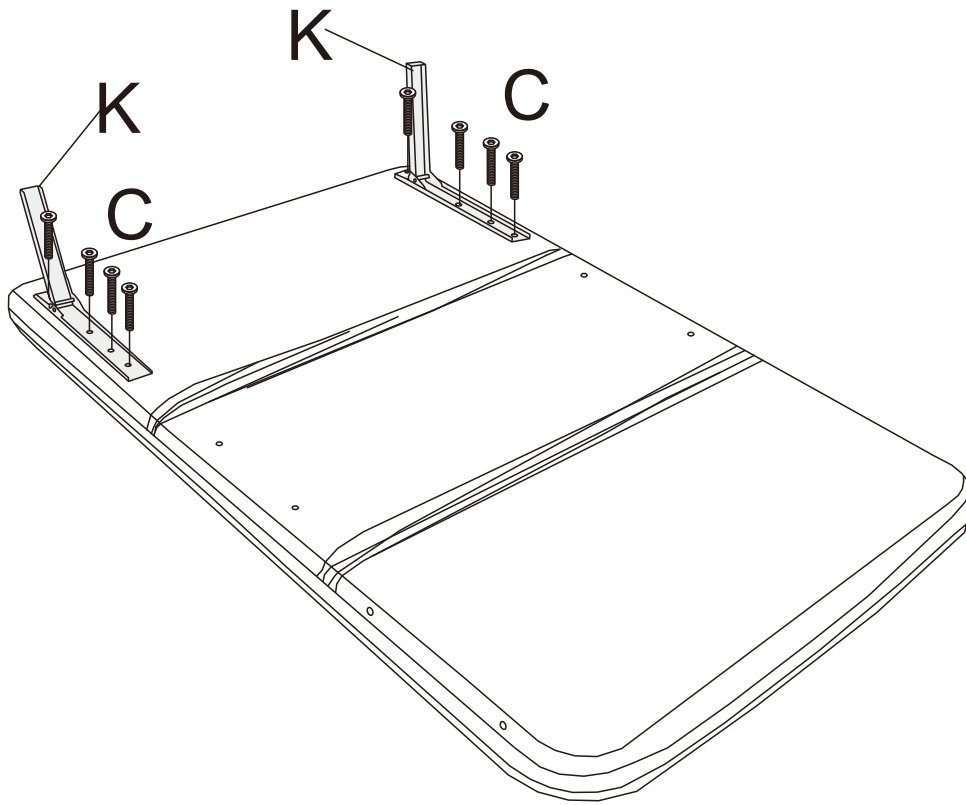
K



Foldable sofa legs

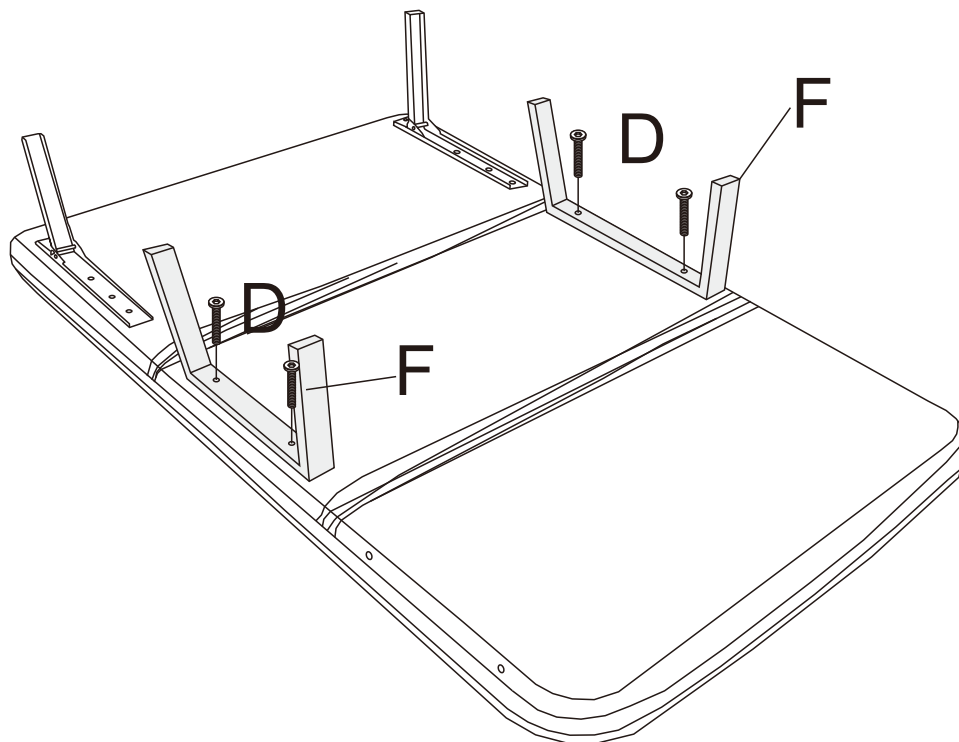
x2

01



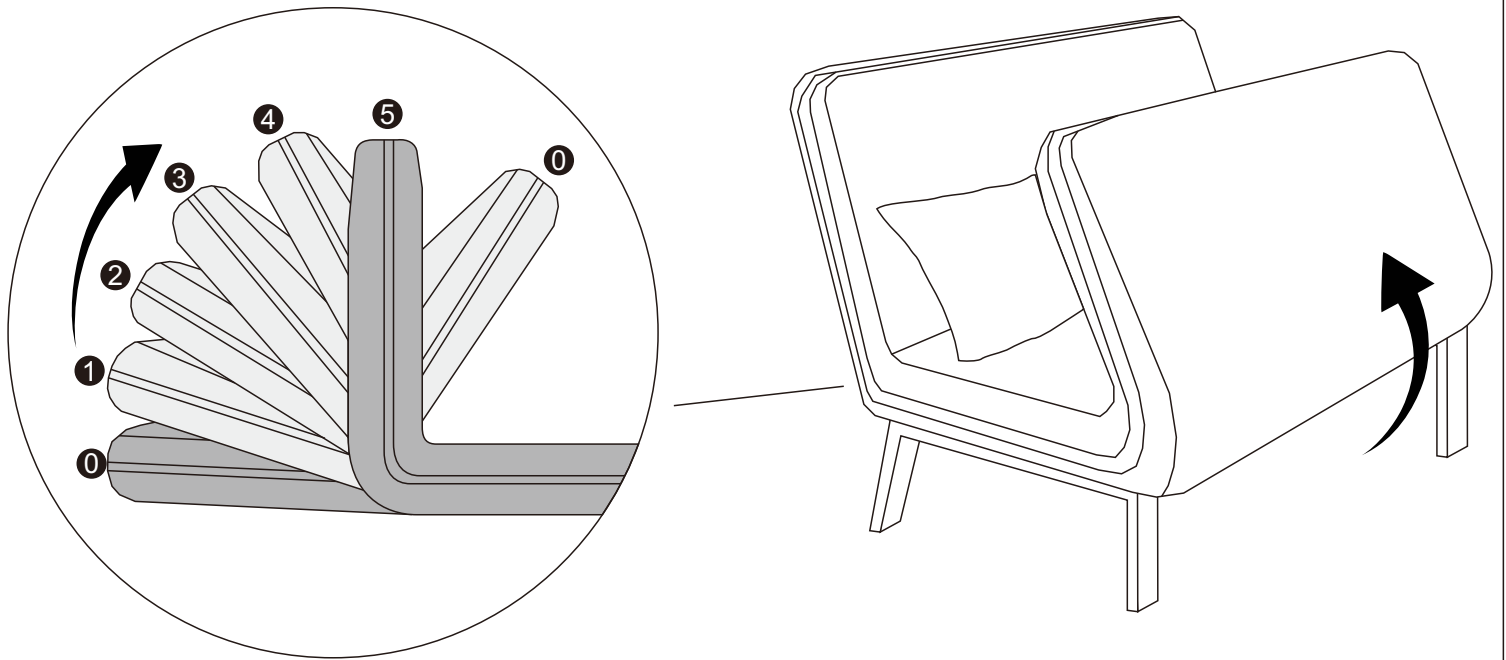
The screw(C) has been installed on the bed frame, please remove it by using allen wrench (H) and install foldable sofa legs(K)

02



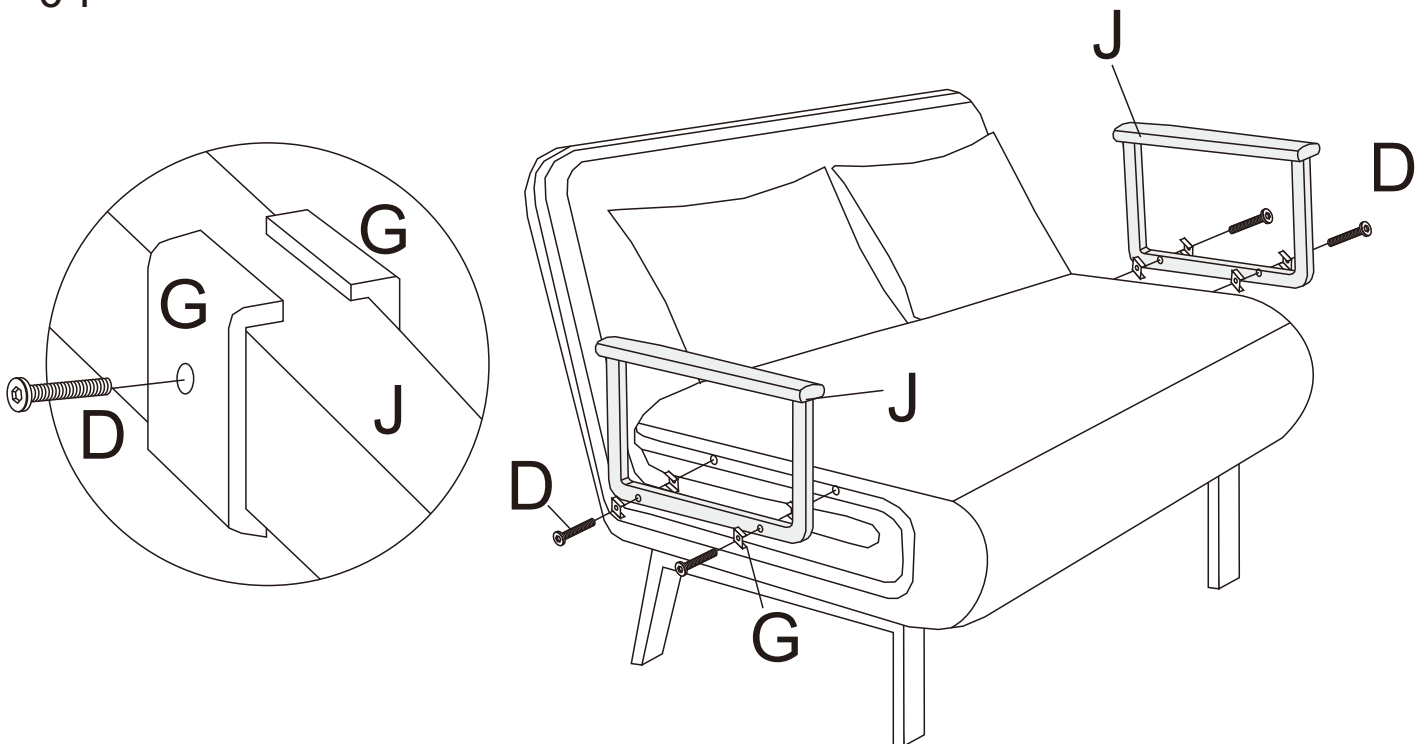
Open accessory pack E, Secure 4 screws(D) by using allen wrench(H). Install sofa legs(F)

03



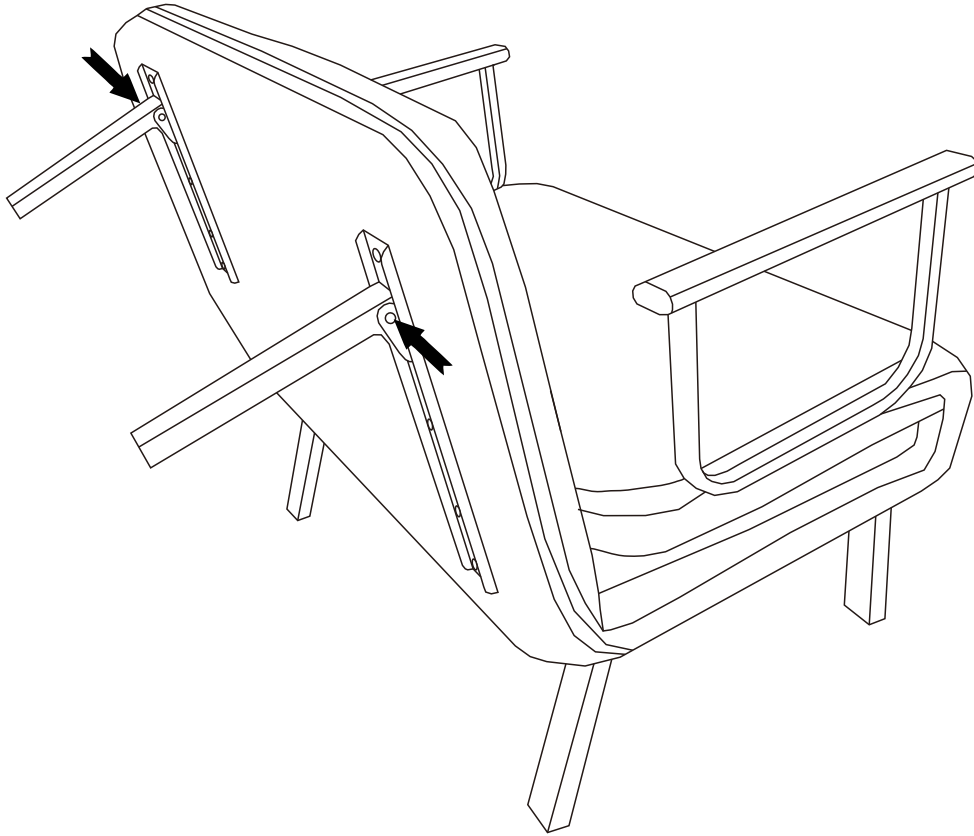
Flip the sofa over for easy installation of armrests, The sofa backrest can be shifted by pushing it forward, with a total of 5 gears. When In the 5th gear, if the backrest is pushed forward by more than 108 °, it will return to the 0 gear (it can be place horizontally to 180 ° now)

04



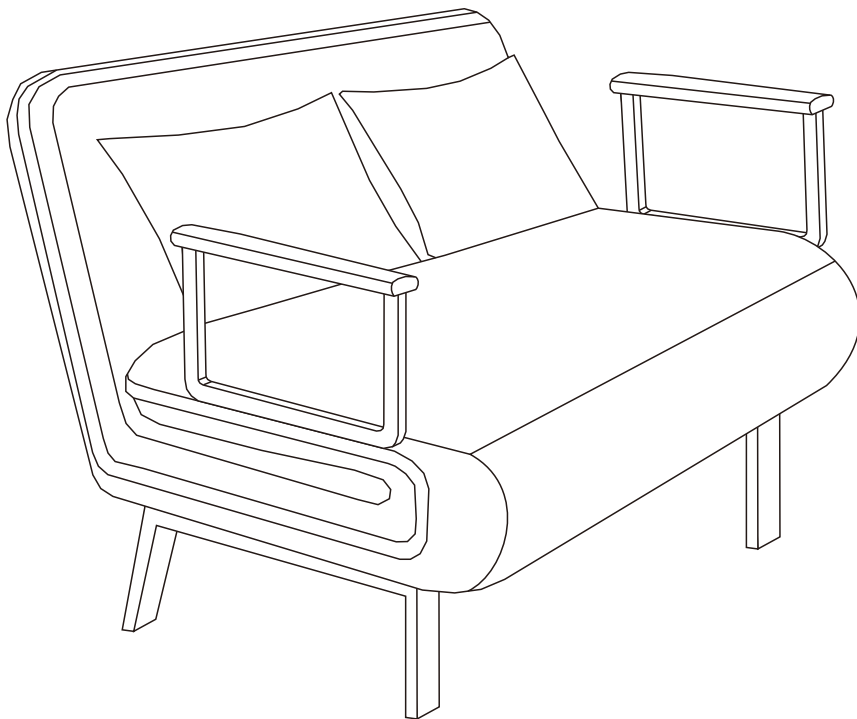
The screw (D) has been installed on the bed frame. Please use an Allen wrench (H) to remove it, and then install Armrest (J) using u-shaped acces sories (G) and screw (D)

05

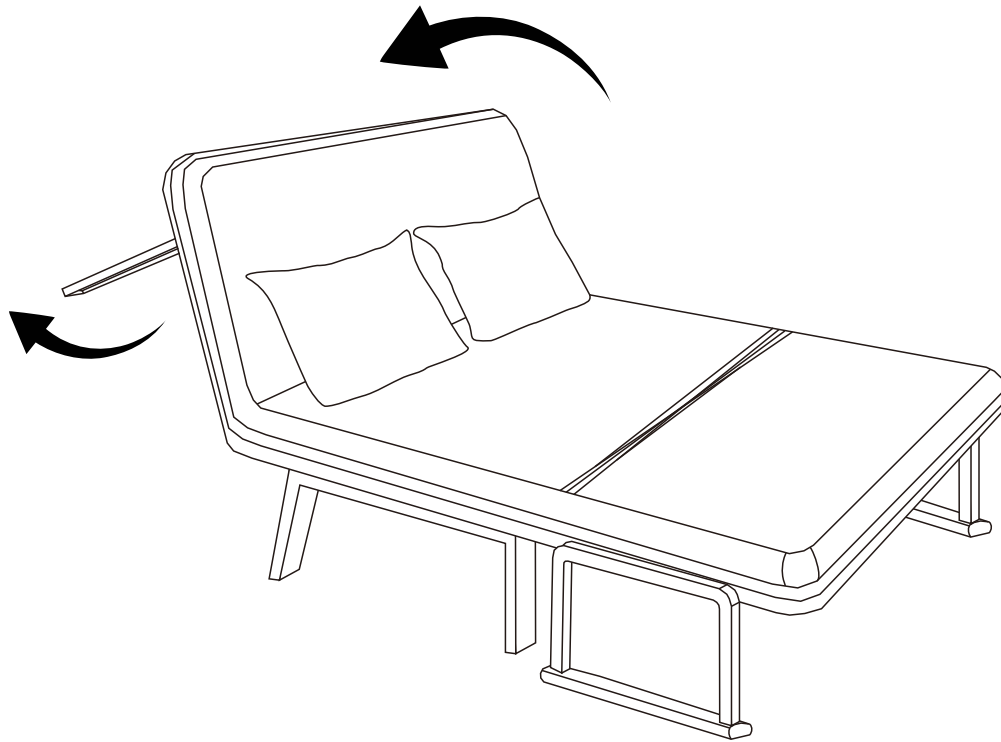


Click a button to expand Foldable sofa legs

06



07



Before using it as a bed function, click the button to expand the foldable sofa legs (K), and then push the sofa backrest forward to the end 0 position to flatten the sofa backrest to 180 ° for use.

08

