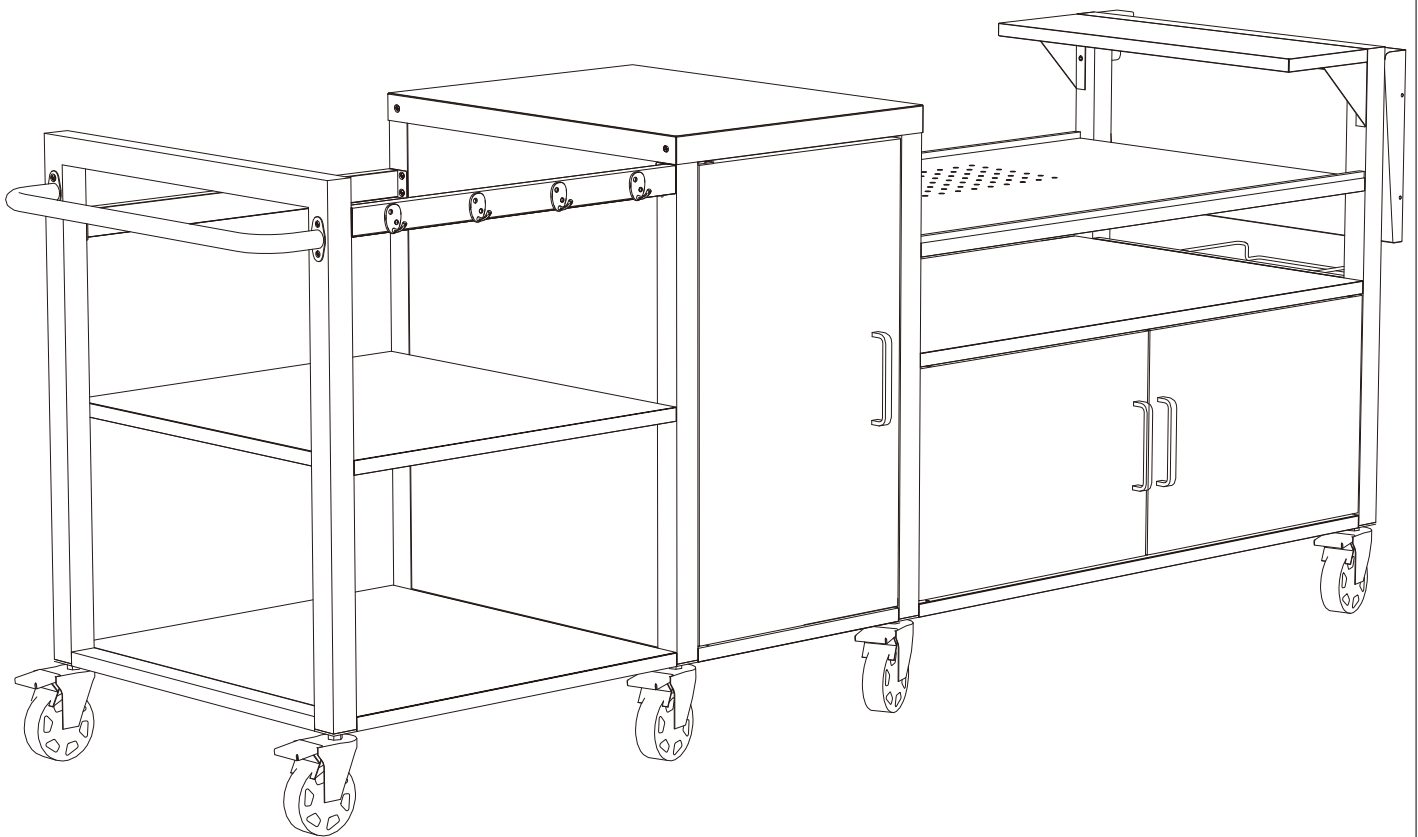


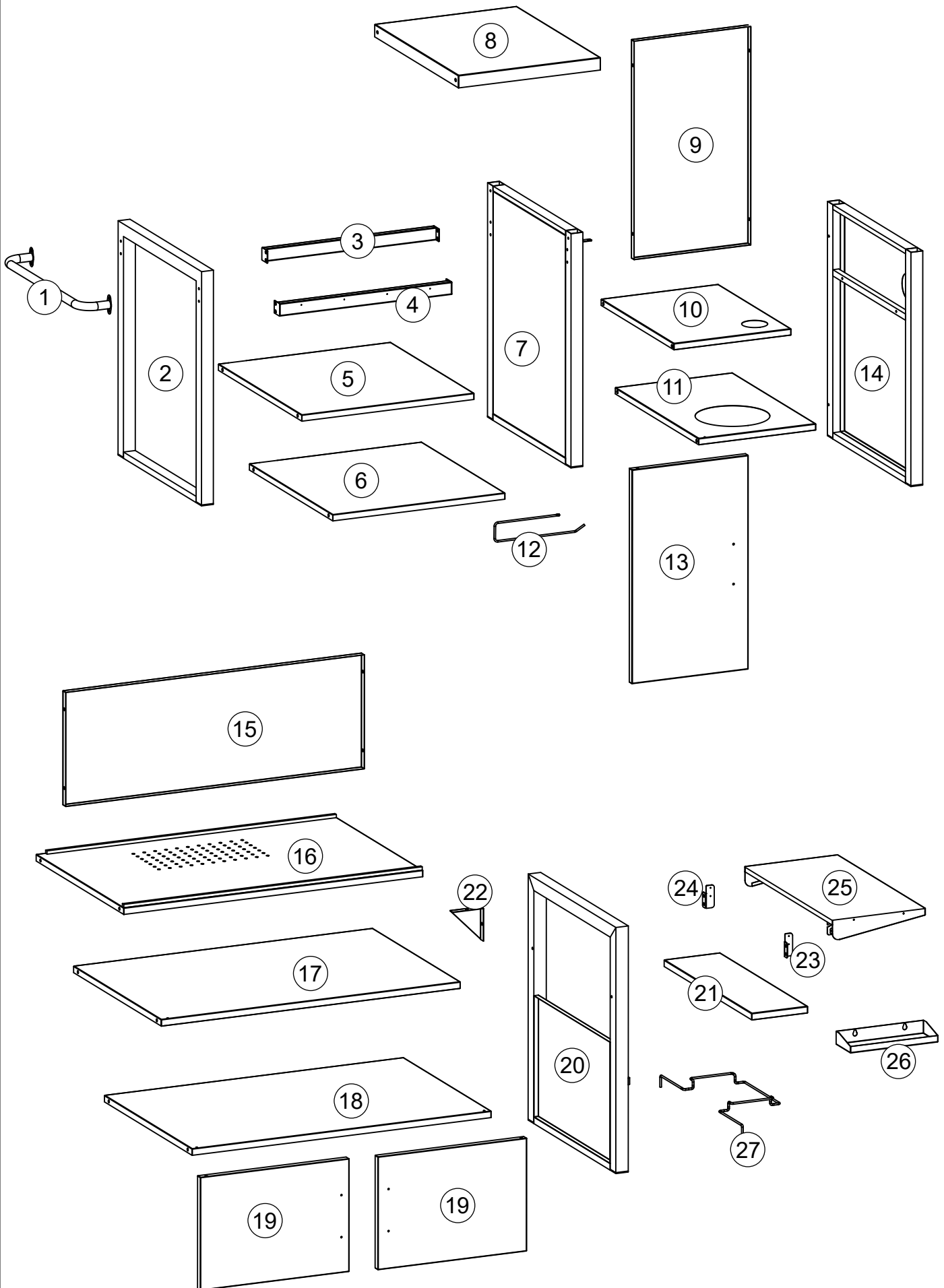
# Assembly Instructions

LNG840


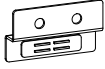

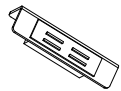

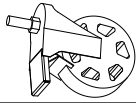









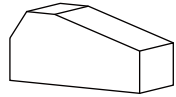


**This product ships in 2 boxes.  
You may receive them on different days.**

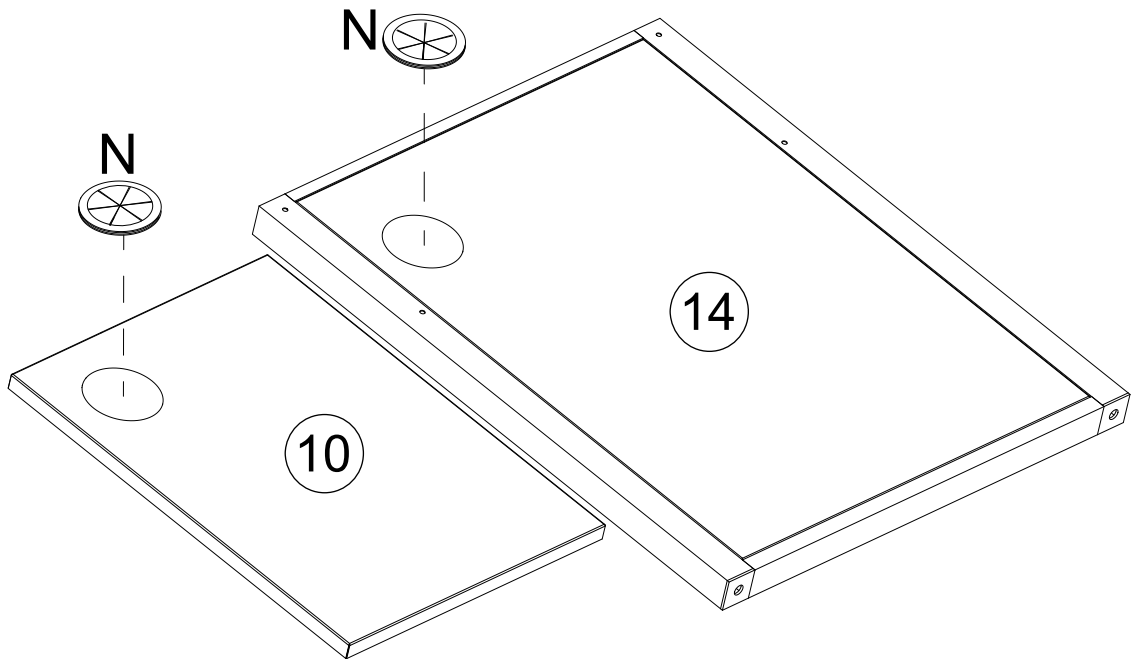




## Hardware List

ITEM	PART	QTY	ITEM	PART	QTY
A	 6x10mm	10+1PCS	J		1PCS
B	 6x10mm	30+3PCS	K		1PCS
C	 6x12mm	4+1PCS	L		8PCS
D	 6x20mm	24+2PCS	M		3PCS
E	 6x30mm	4+1PCS	N		2PCS
F	 4x4mm	6+1PCS	O		6PCS
G	 M5	1PCS	P		4PCS
H	 3x10mm	8+1PCS	Q		1PCS

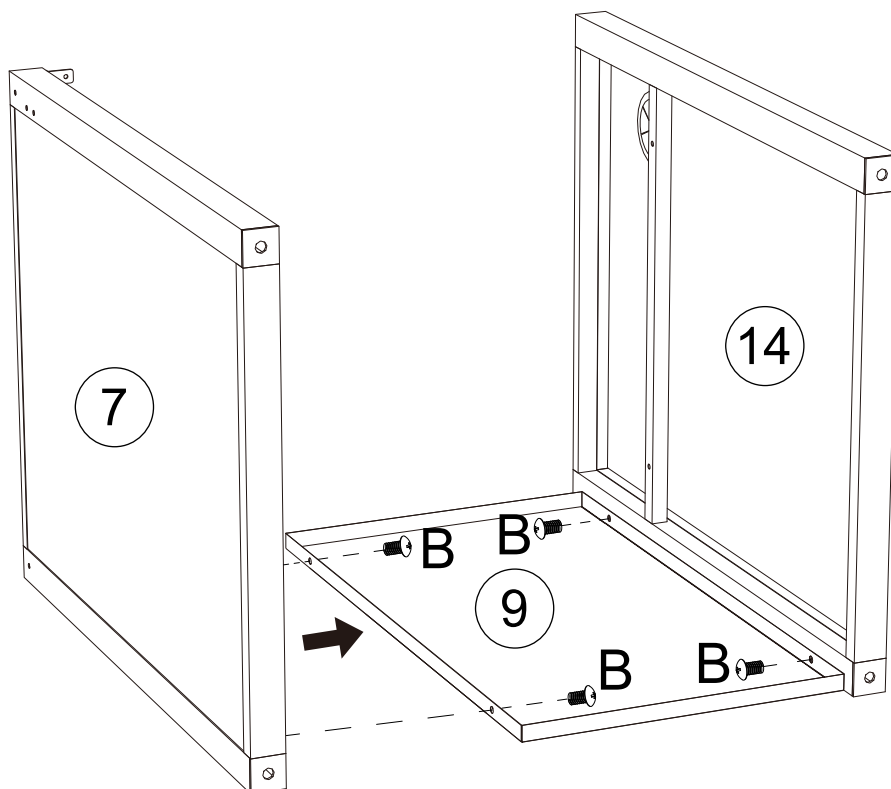
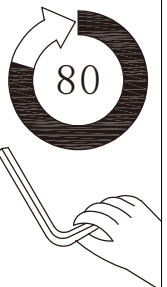
**1** Install N x2 to Part #10 & 14 holes as shown.



 N x2

**2** Attach Part #9 to Part #14 & 7 with Screws B x4 as shown.

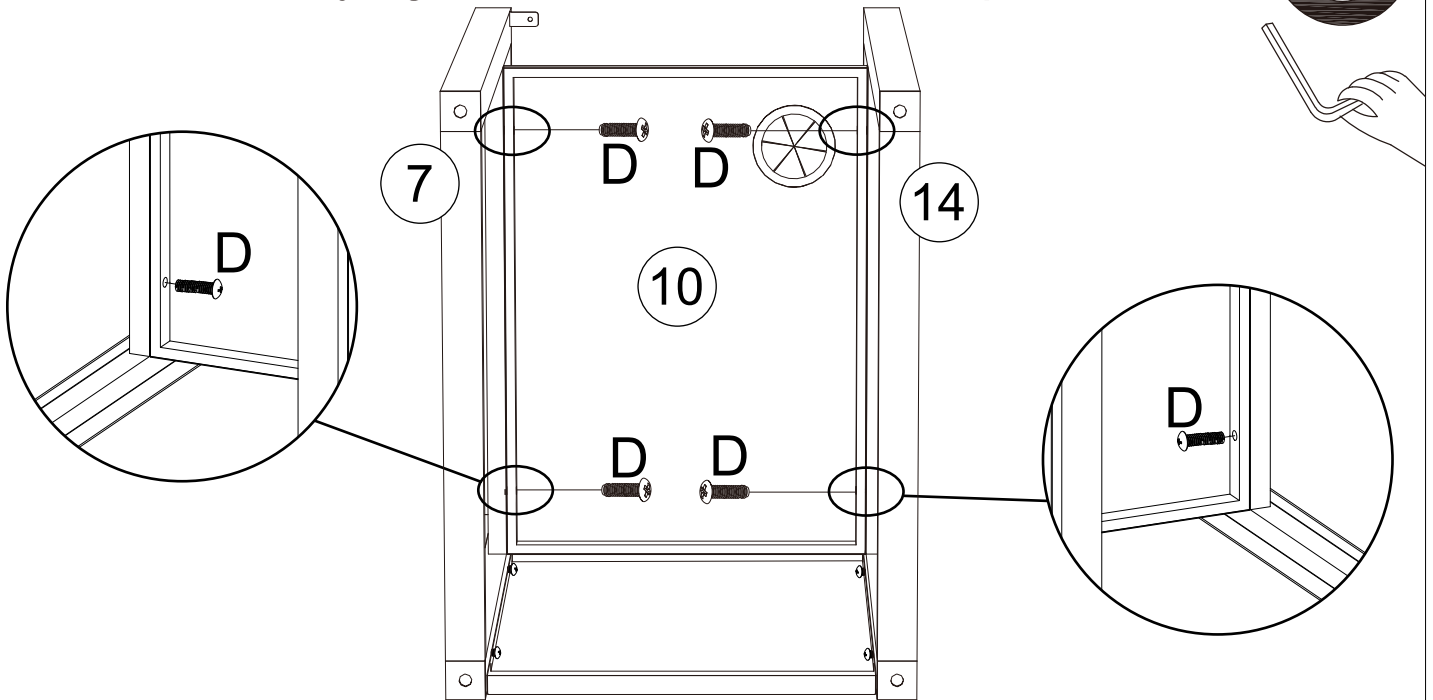
Do not fully tighten the screws until Step 4.



 B x4

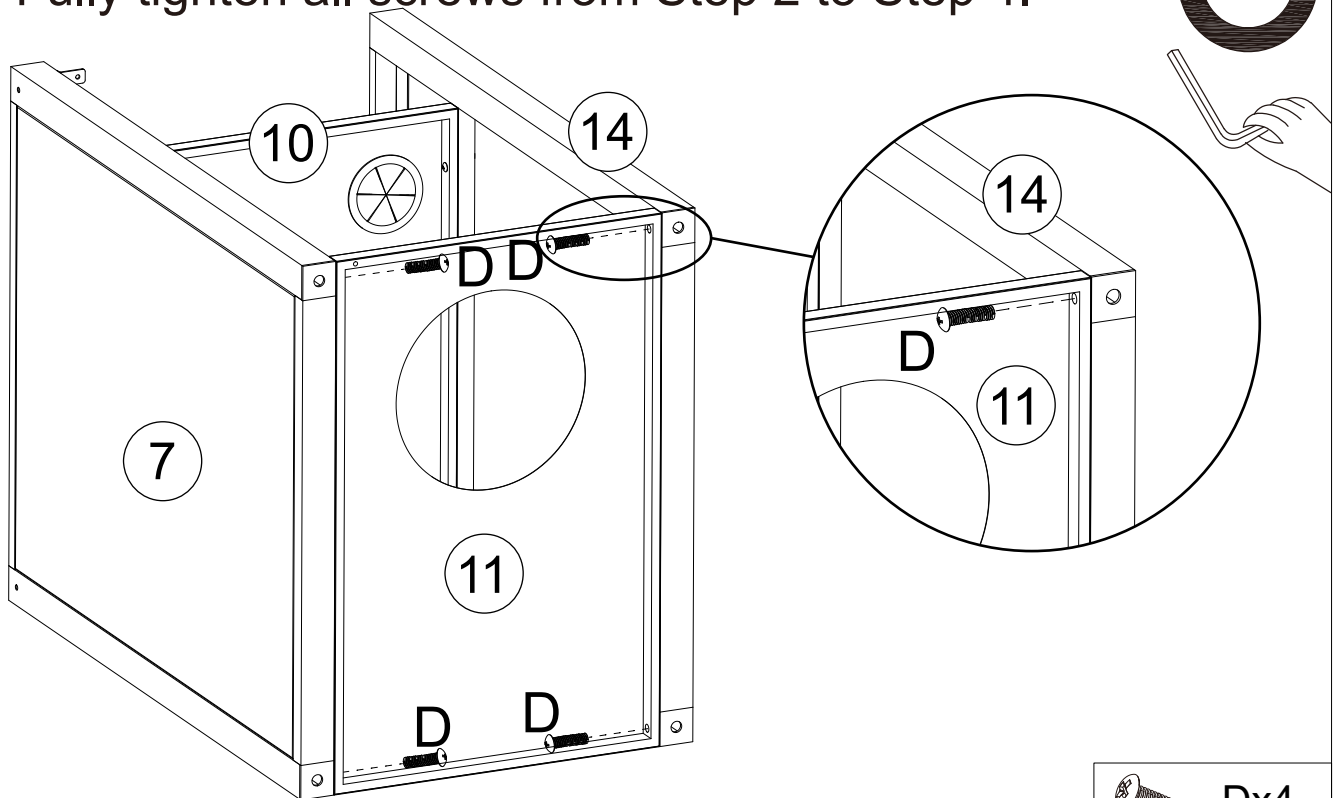
**3** Attach Part #10 to Part #7 & 14 with Screws D x4 as shown.

Do not fully tighten the screws until Step 4.

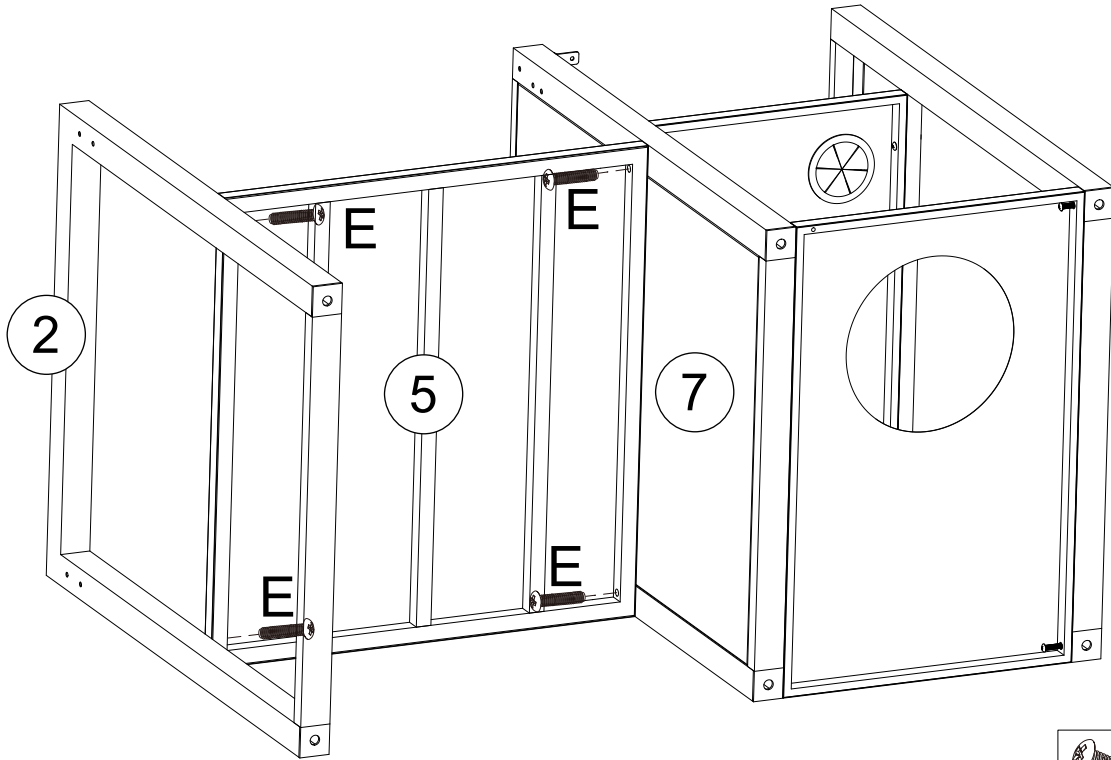
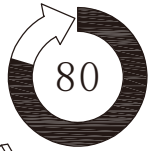


**4** Attach Bottom Part #11 to Part #7 & 14 with Screws D x4 as shown.

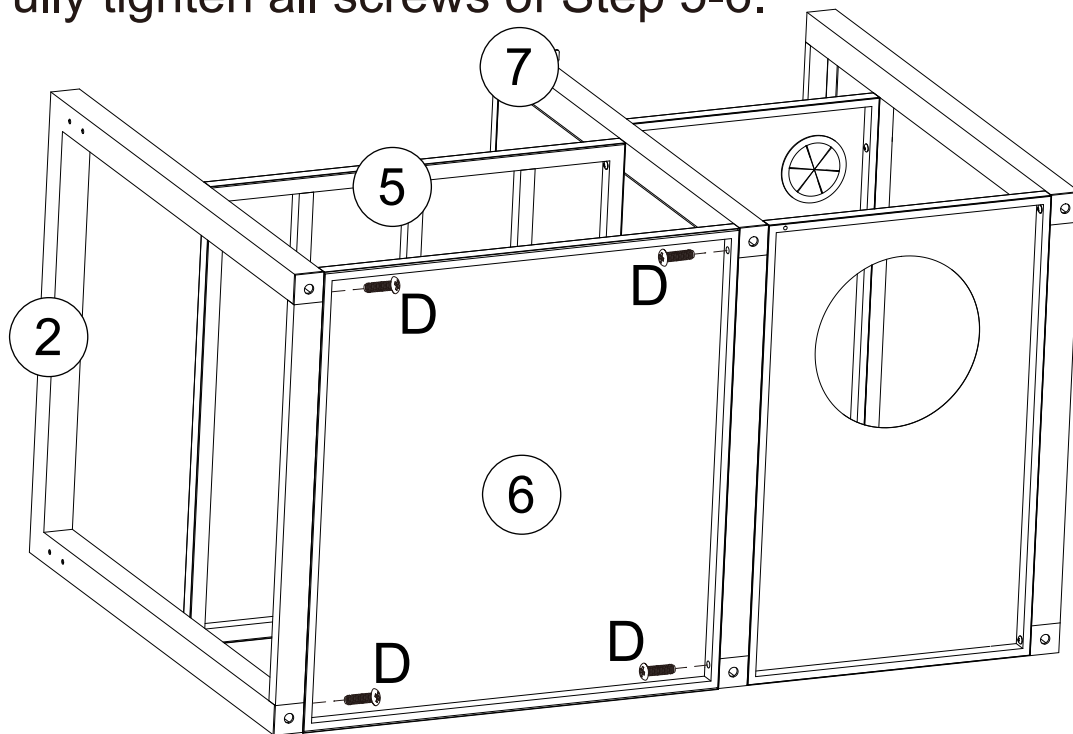
Fully tighten all screws from Step 2 to Step 4.



**5** Connect Part #5 to Part #7 & 2 with Screws E x4 as shown.  
Do not fully tighten the screws until Step 6.

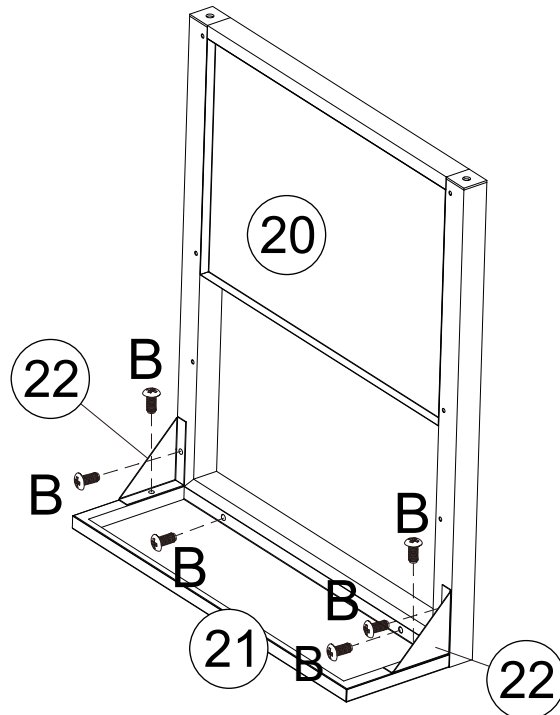


**6** Attach Bottom Part #6 to Part #2 & 7 with Screws D x4 as shown.  
Fully tighten all screws of Step 5-6.



## 7 Optional Step

Attach Part #21 to Part #20 with Screws B x2 as shown.  
Attach Part #22 x2 to Part #20 & 21 with Screws B x4.

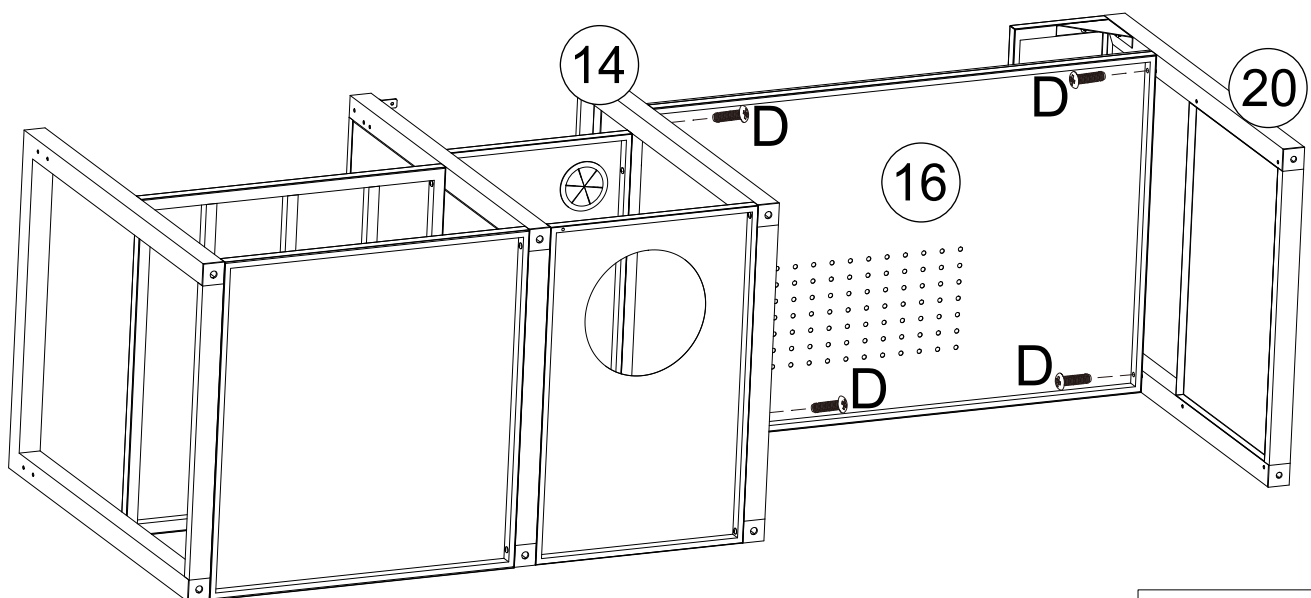
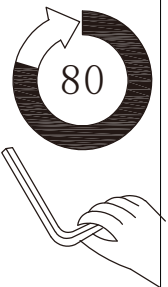


If yours is Blackstone 36-inch model, Step 7 can be skipped.

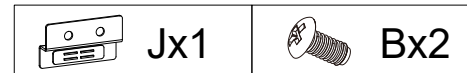
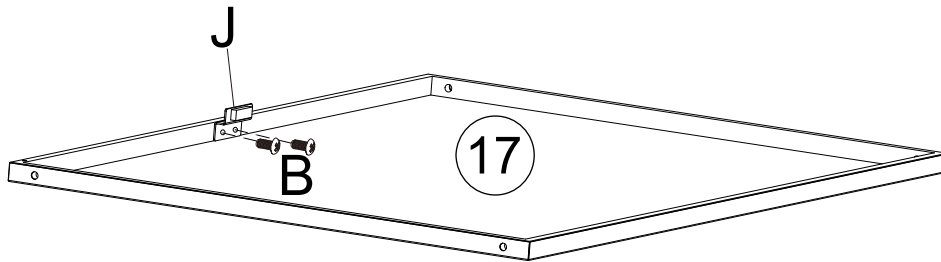


## 8 Connect Part #16 to Part #14 & 20 with Screws D x4 as shown.

Do not fully tighten the screws until Step 12.

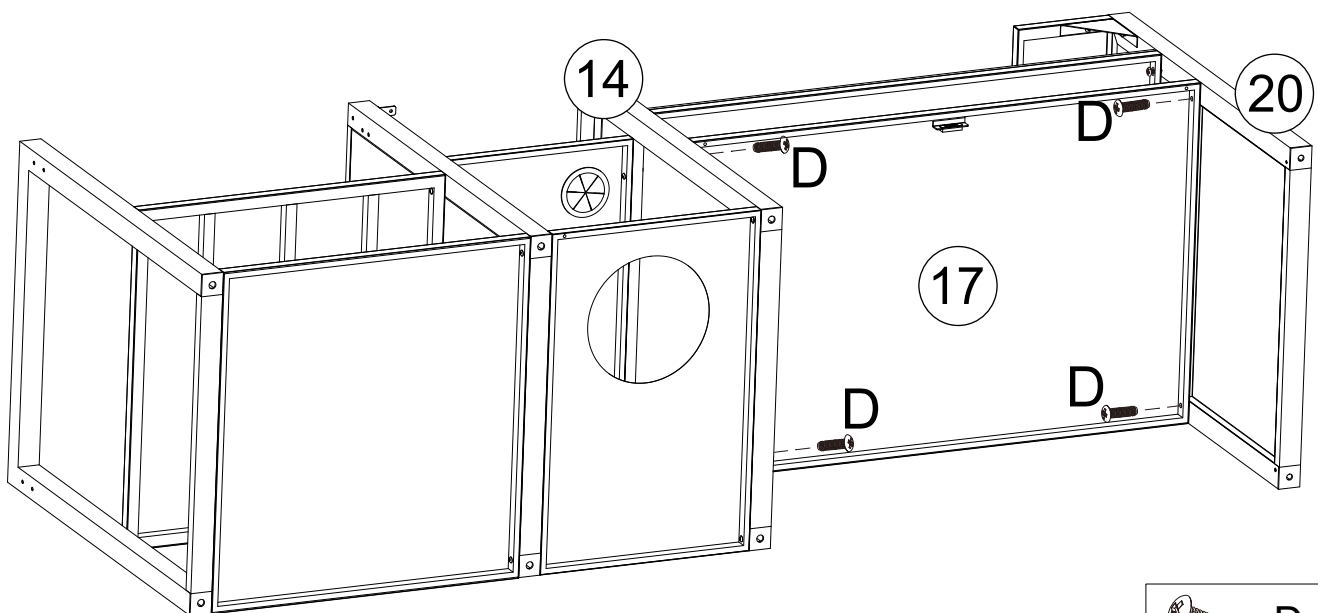
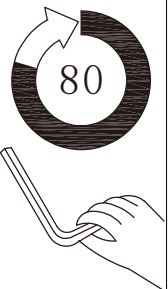


**9** Install J x1 to Part #17 with Screws B x2 as shown.



**10** Attach Part #17 to Part #14 & 20 with Screws D x4 as shown.

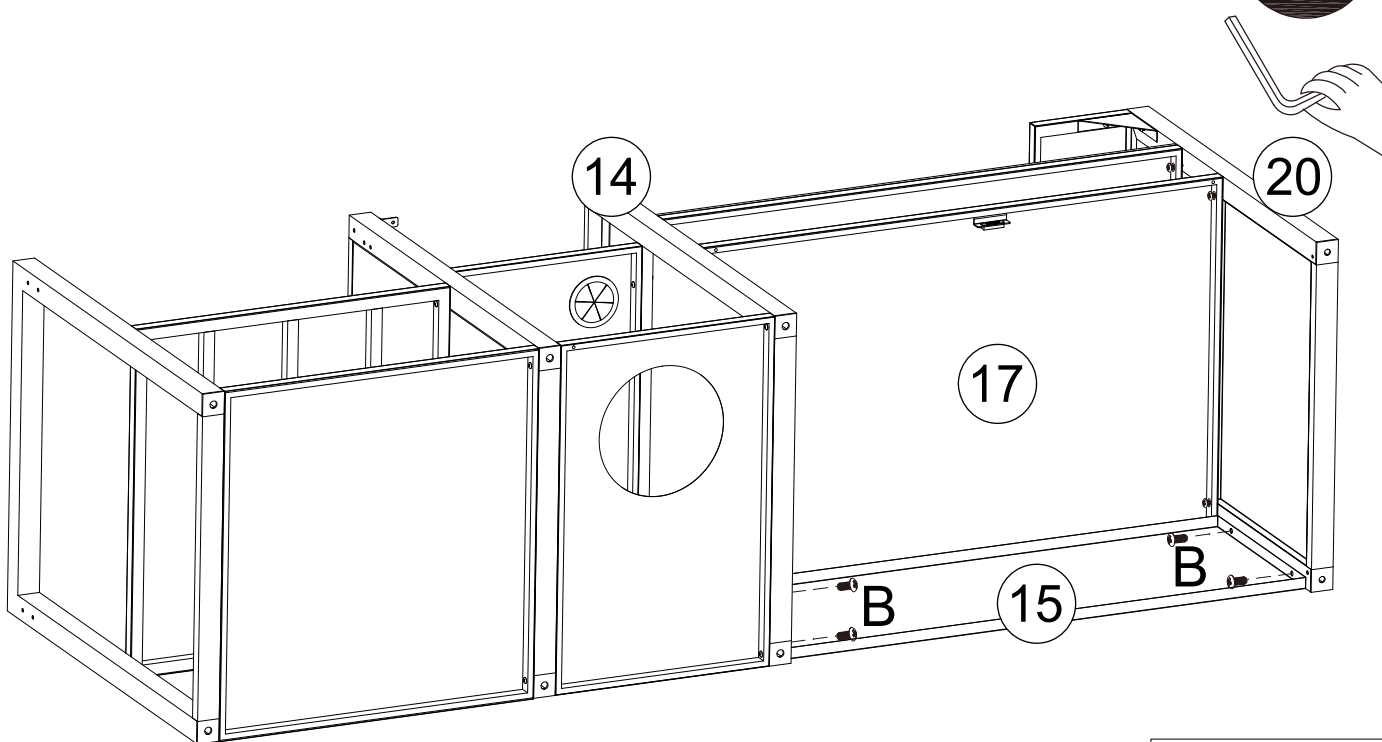
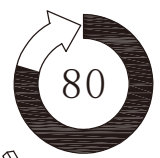
Do not fully tighten the screws until Step 12.



**11**

Attach Part #15 to Part #14 & 20 with Screws B x4 as shown.

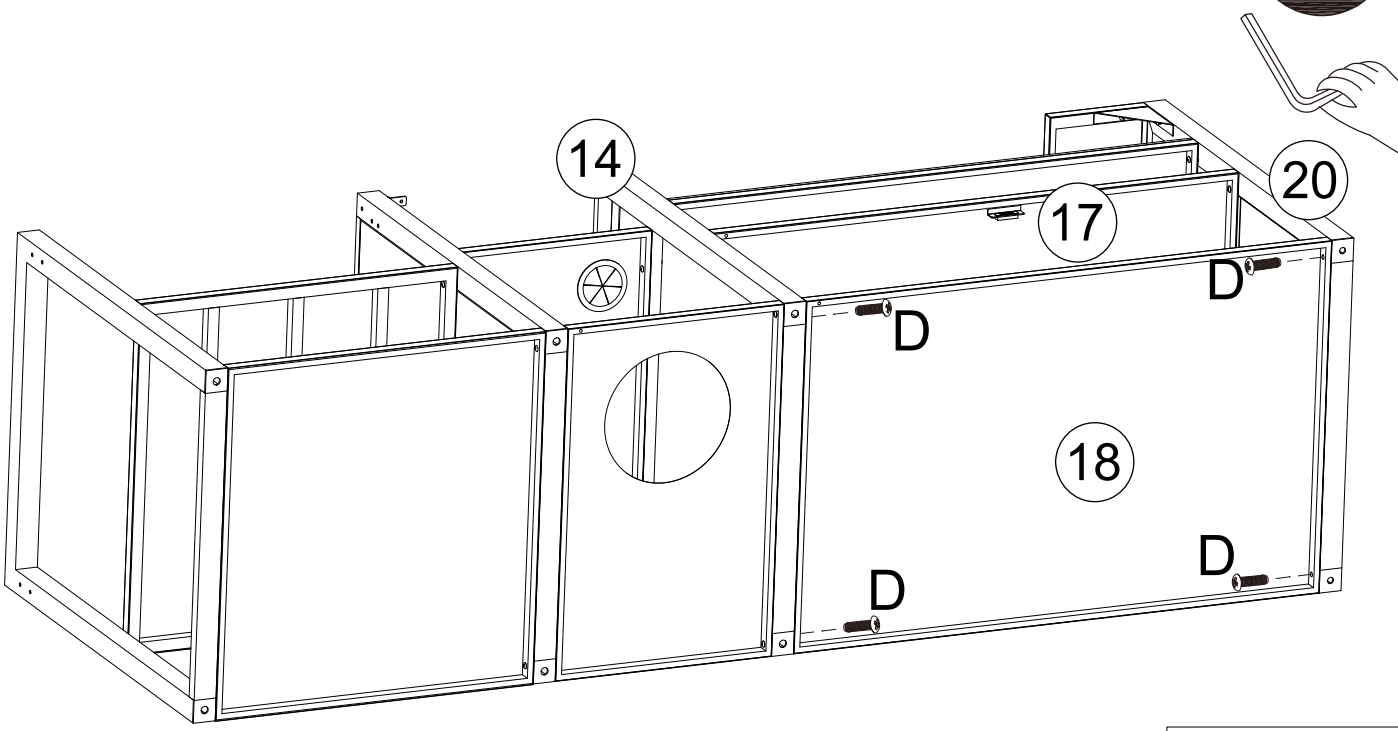
Do not fully tighten the screws until Step 12.



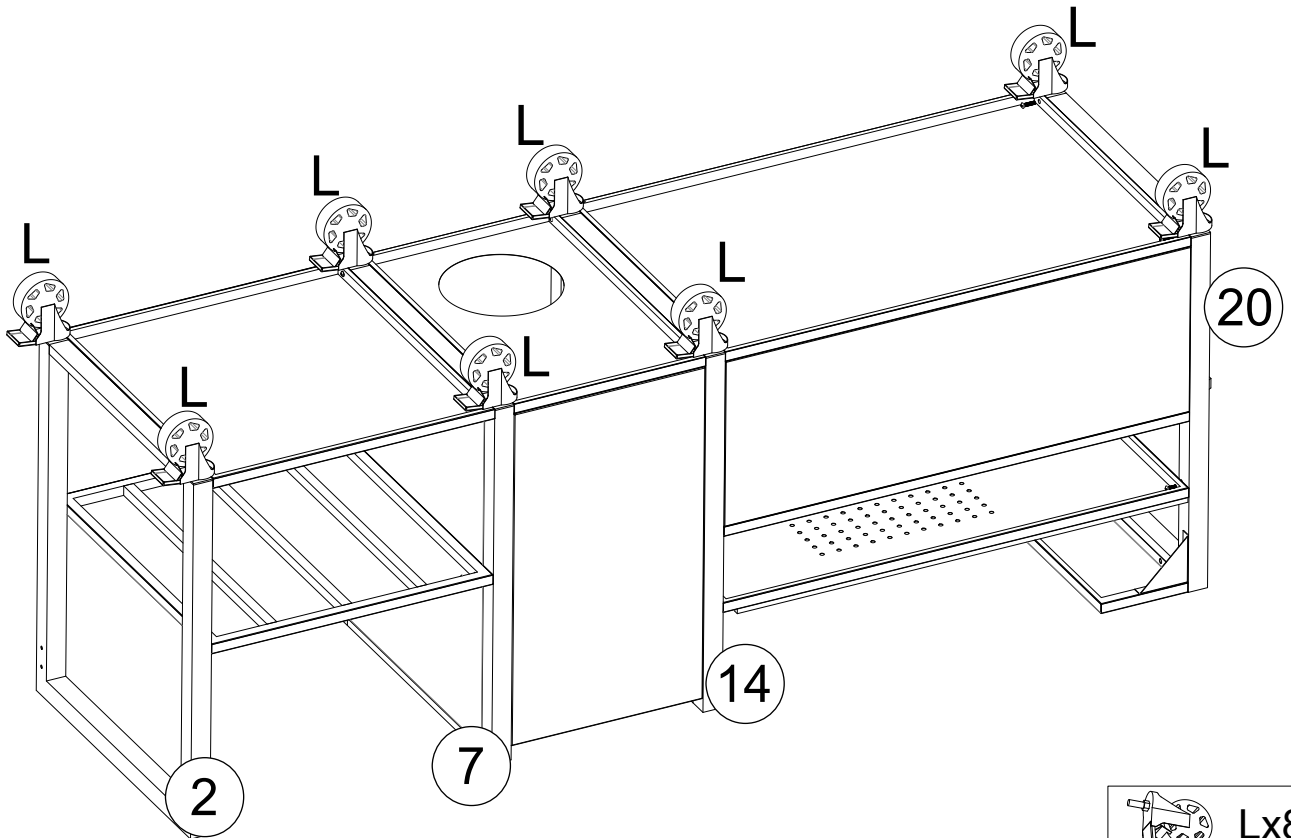
**12**

Attach Part #18 to Part #14 & 20 with Screws D x4 as shown.

Fully tighten all screws of Step 8 to Step 12.

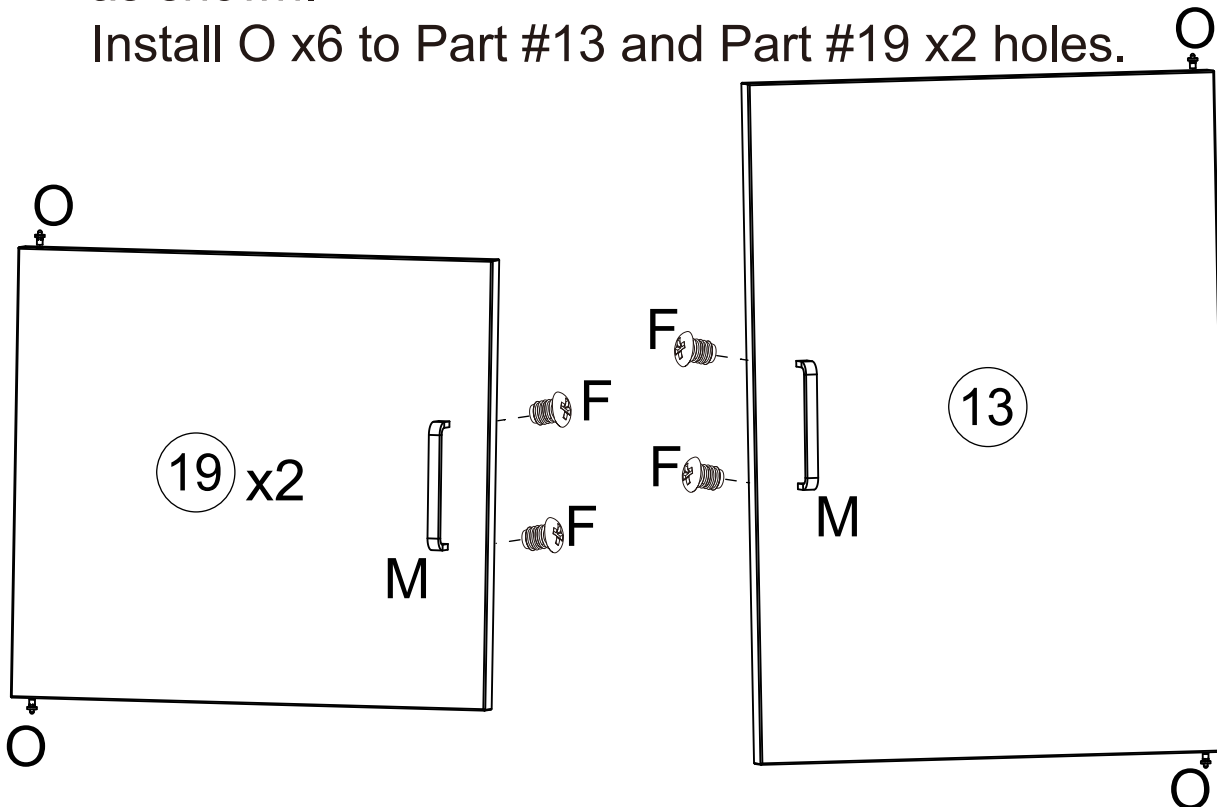


**13** Install Wheel Part L x8 to the corresponding holes as shown.

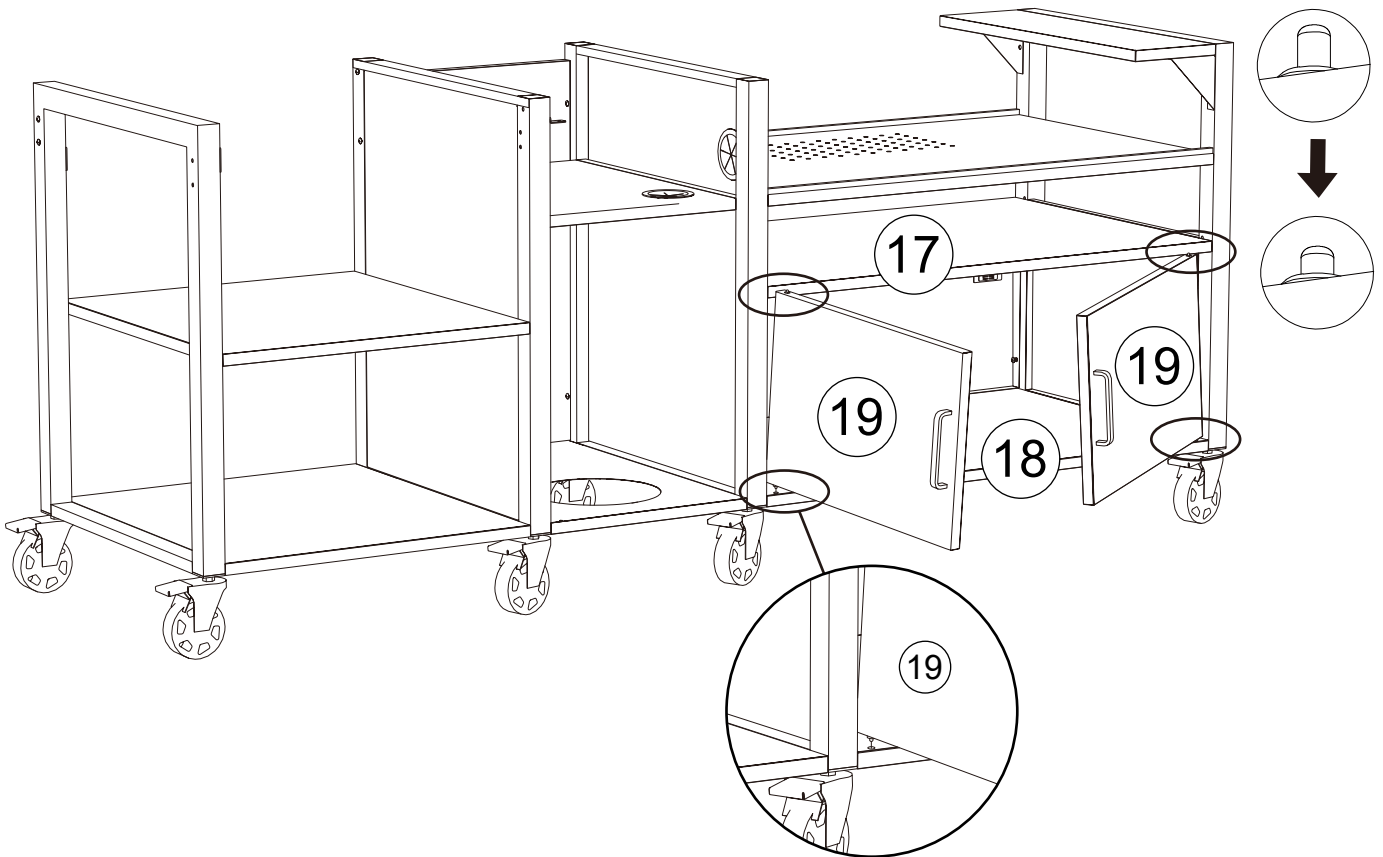


**14** Install M x3 to Part #13 and Part #19 x2 with Screws F x6 as shown.

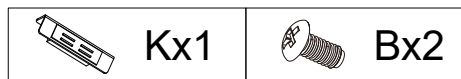
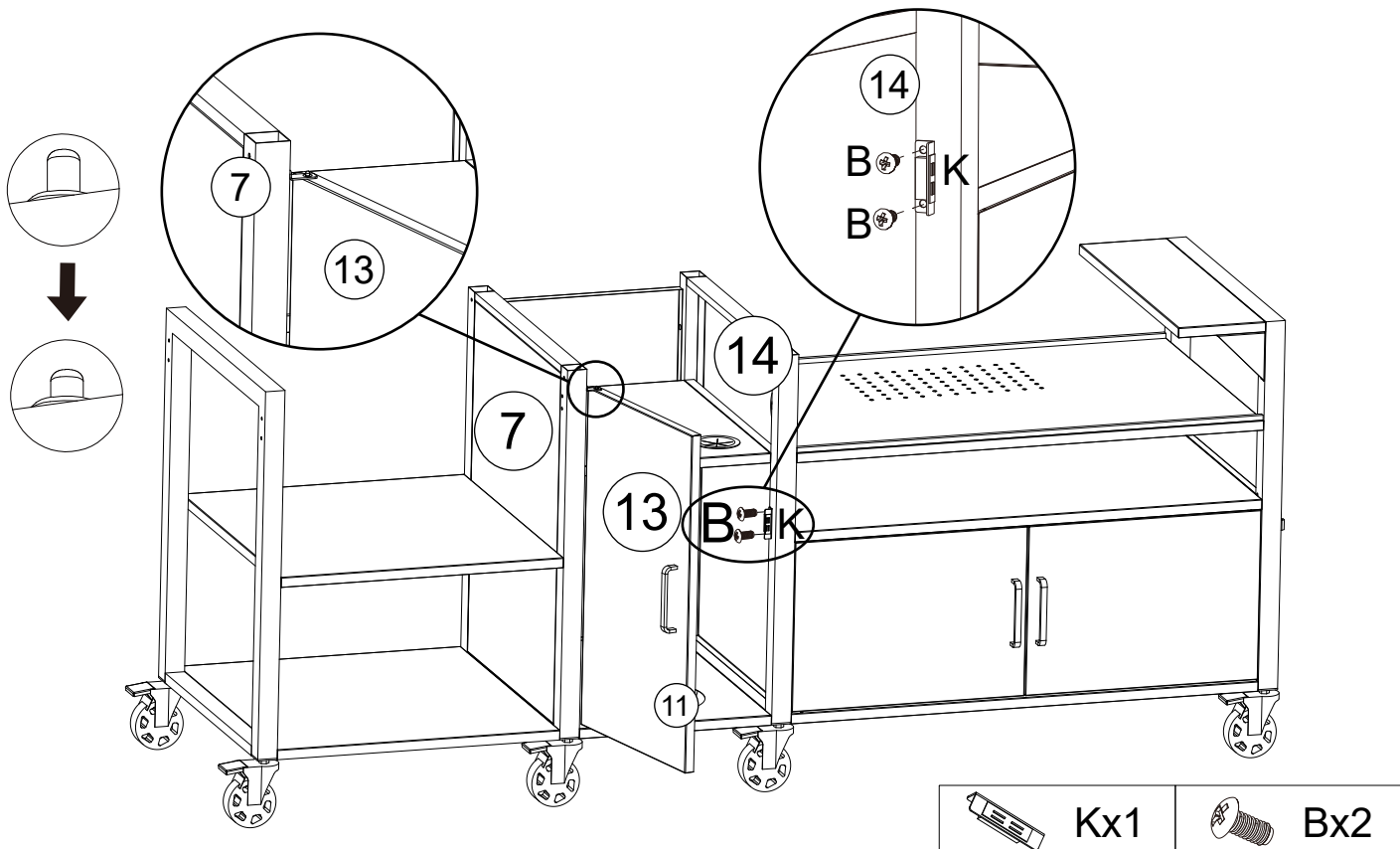
Install O x6 to Part #13 and Part #19 x2 holes.



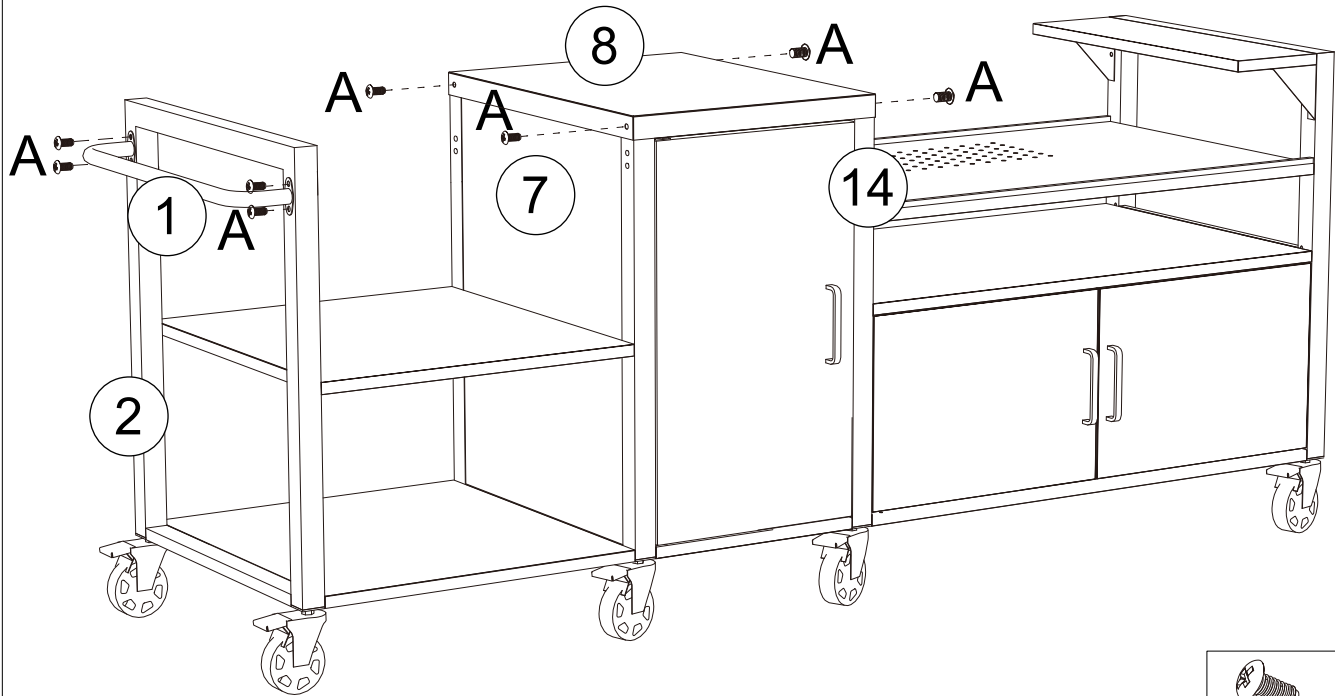
**15** Attach Door Part #19 x2 to Part #17 & 18 holes as shown.



**16** Install K x1 to Part #14 with Screws B x2 as shown. Attach Door Part #13 to Part #11 & 7 holes as shown.

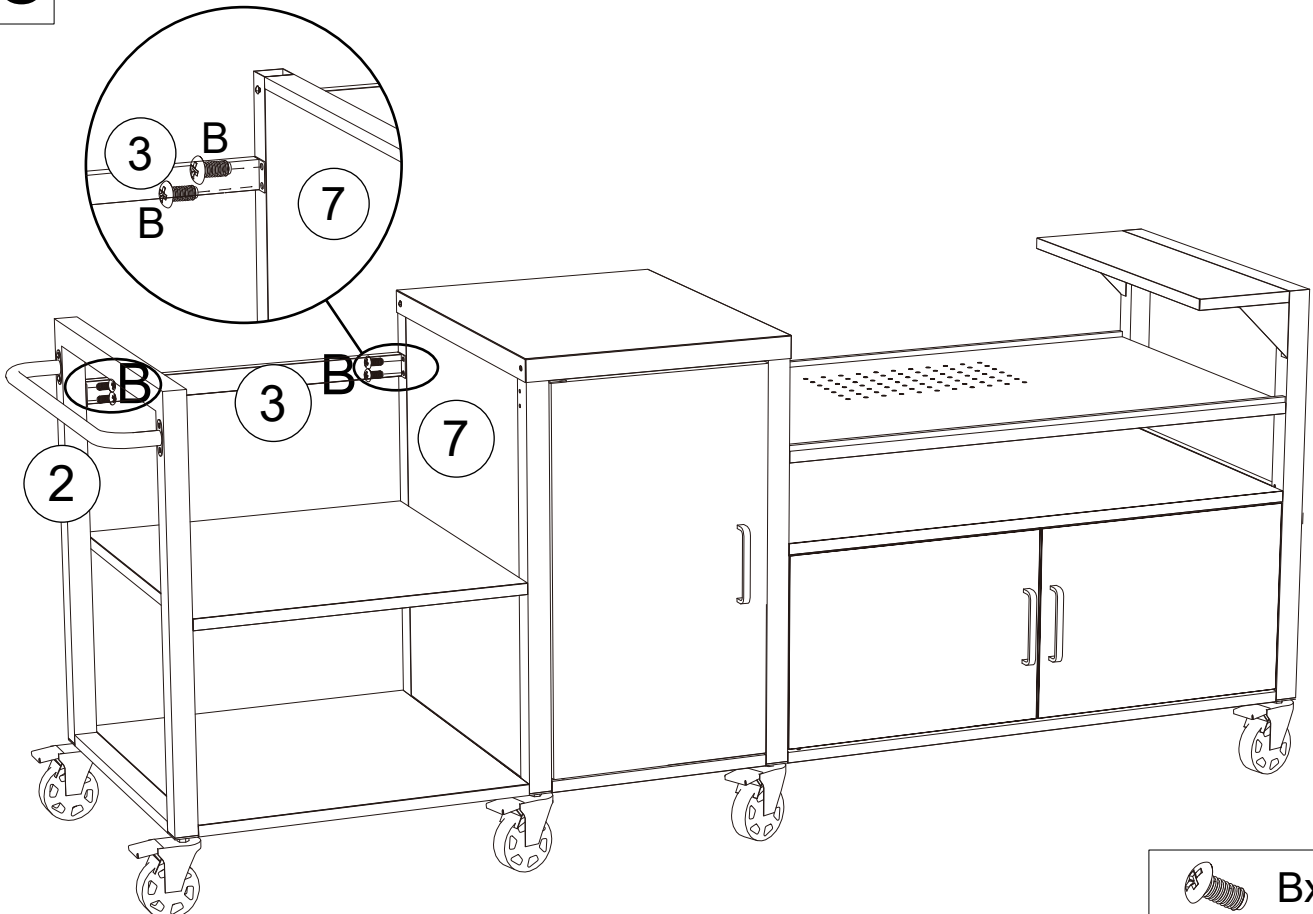


**17** Attach Part #8 to Part #7 & 14 with Screws A x4 as shown.  
Attach Part #1 to Part #2 with Screws A x4 as shown.



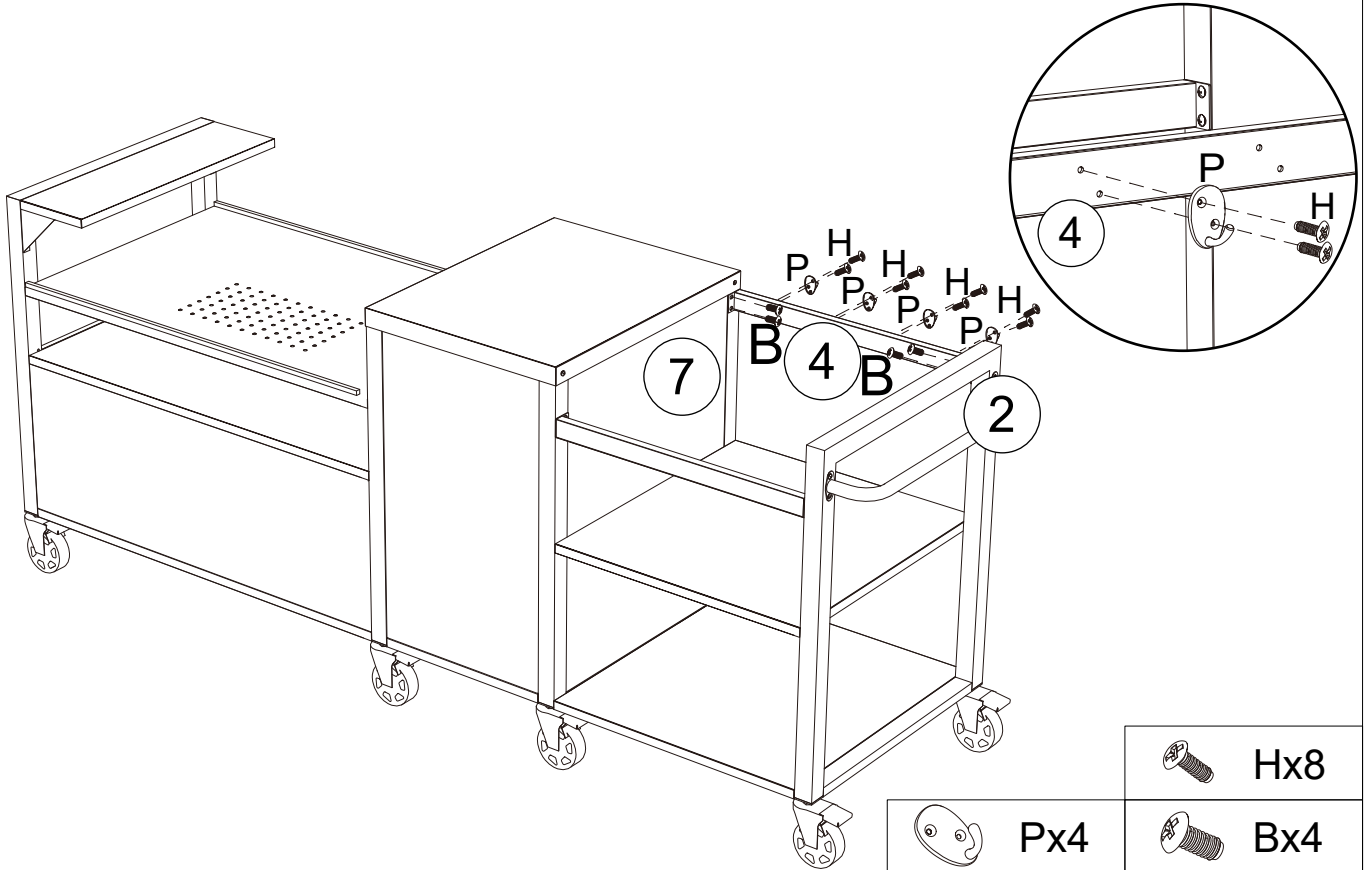
 Ax8

**18** Attach Part #3 to Part #2 & 7 with Screws B x4 as shown.

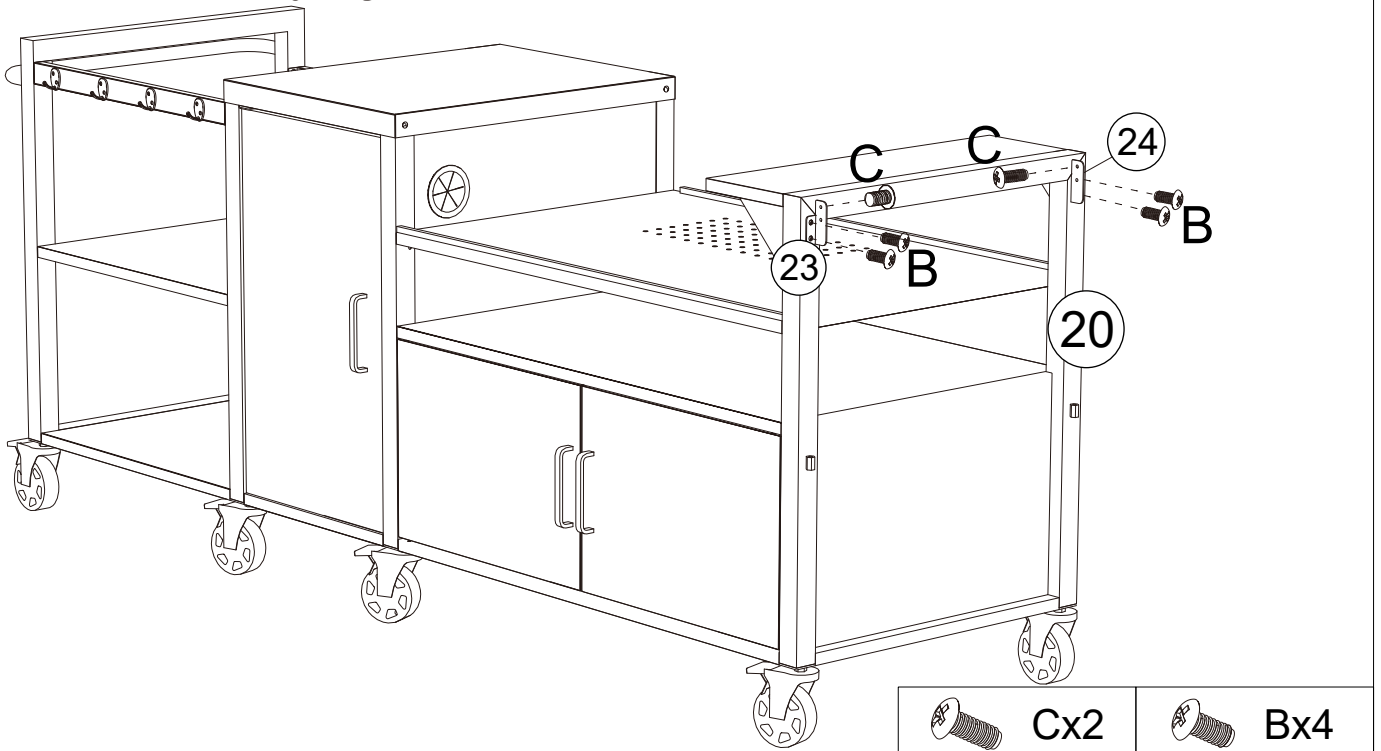


 Bx4

**19** Attach Part #4 to Part #2 & 7 with Screws B x4 as shown. Install P x4 to Part #4 with Screws H x8.

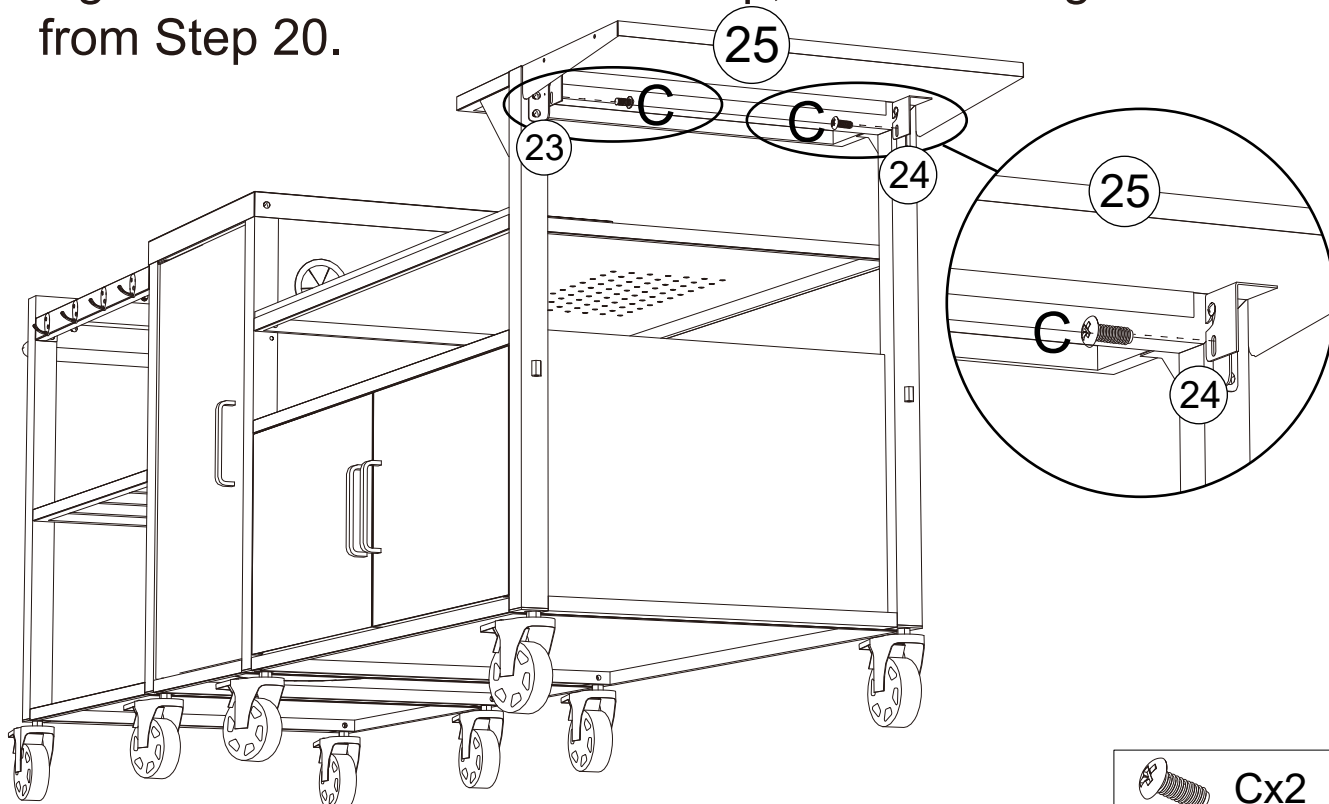


**20** Install Part #23 & 24 to Part #20 with Screws B x4 as shown. Install Screws C x2 to Part #23 & 24 Top holes as shown. Do not fully tighten Screws C.

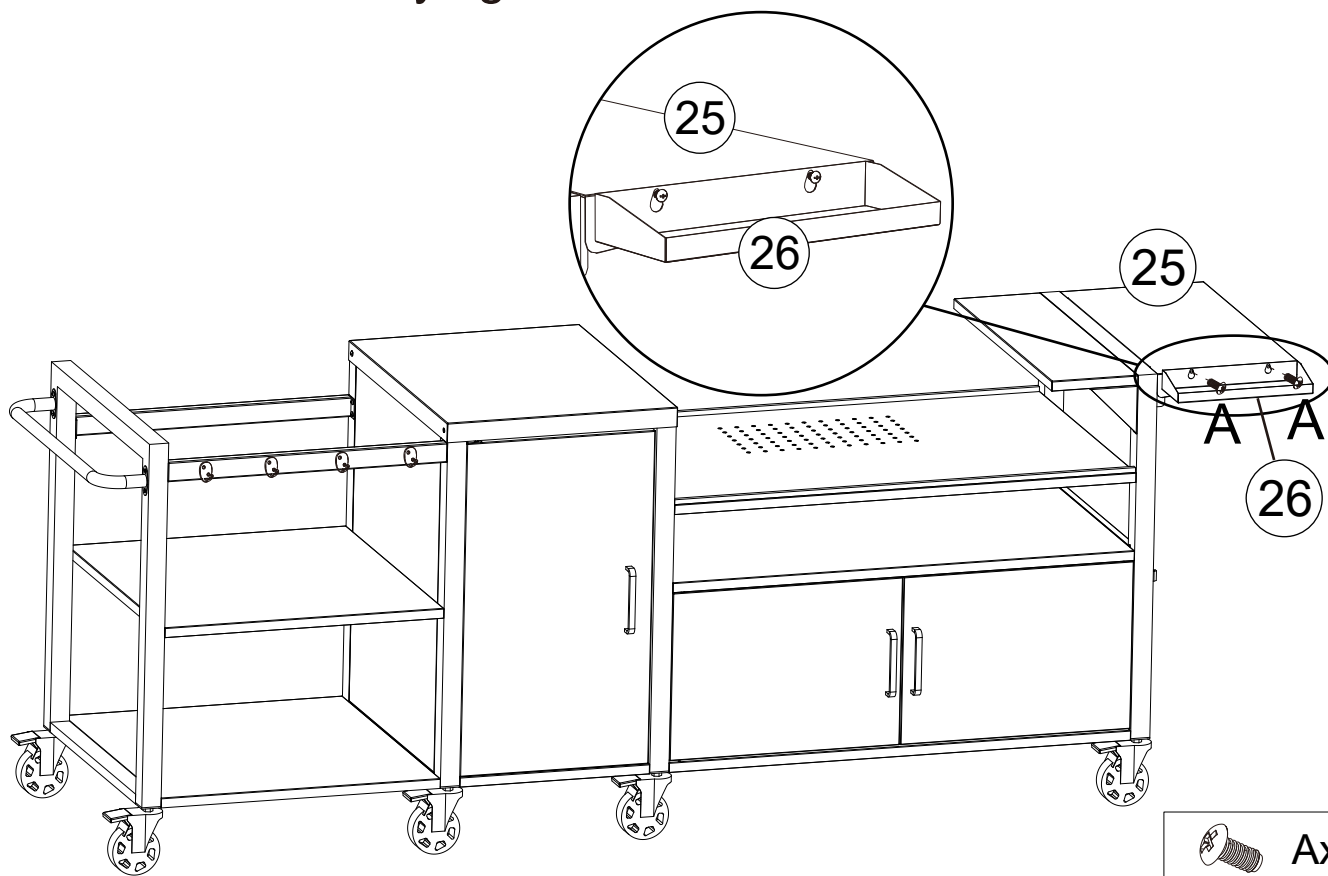


**21** Attach Part #25 to Part #23 & 24 Bottom holes with Screws C x2 as shown.

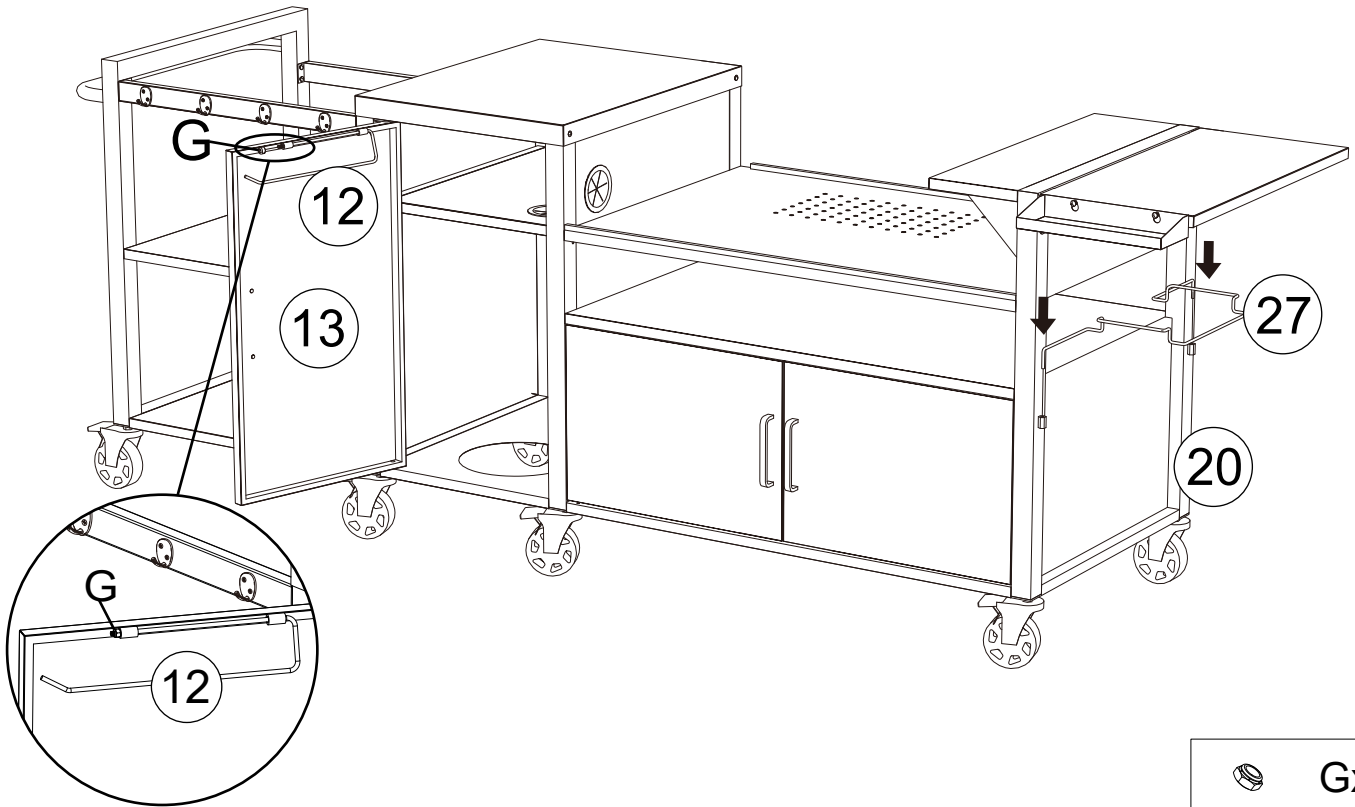
Tighten Screws C x2 of this Step, but do not tighten C x2 from Step 20.



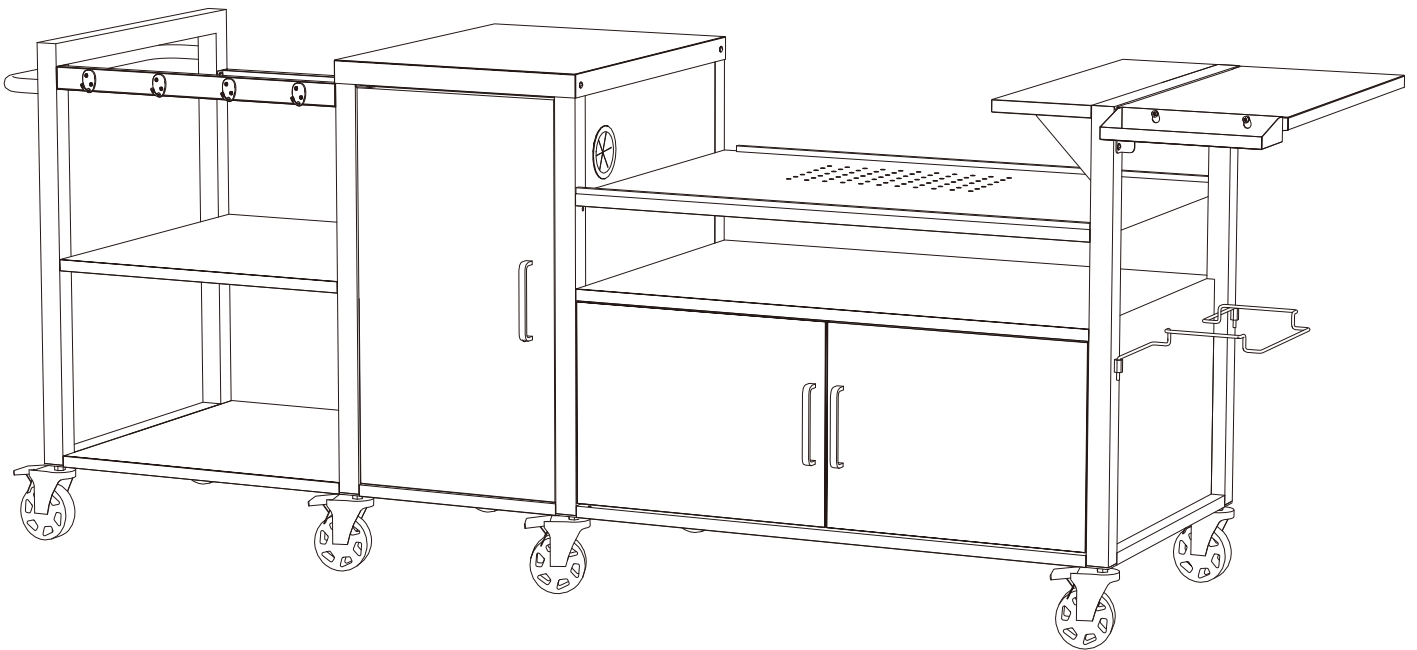
**22** Attach Part #26 to Part #25 with Screws A x2 as shown. No need to fully tighten the Screws A x2 for easier use.



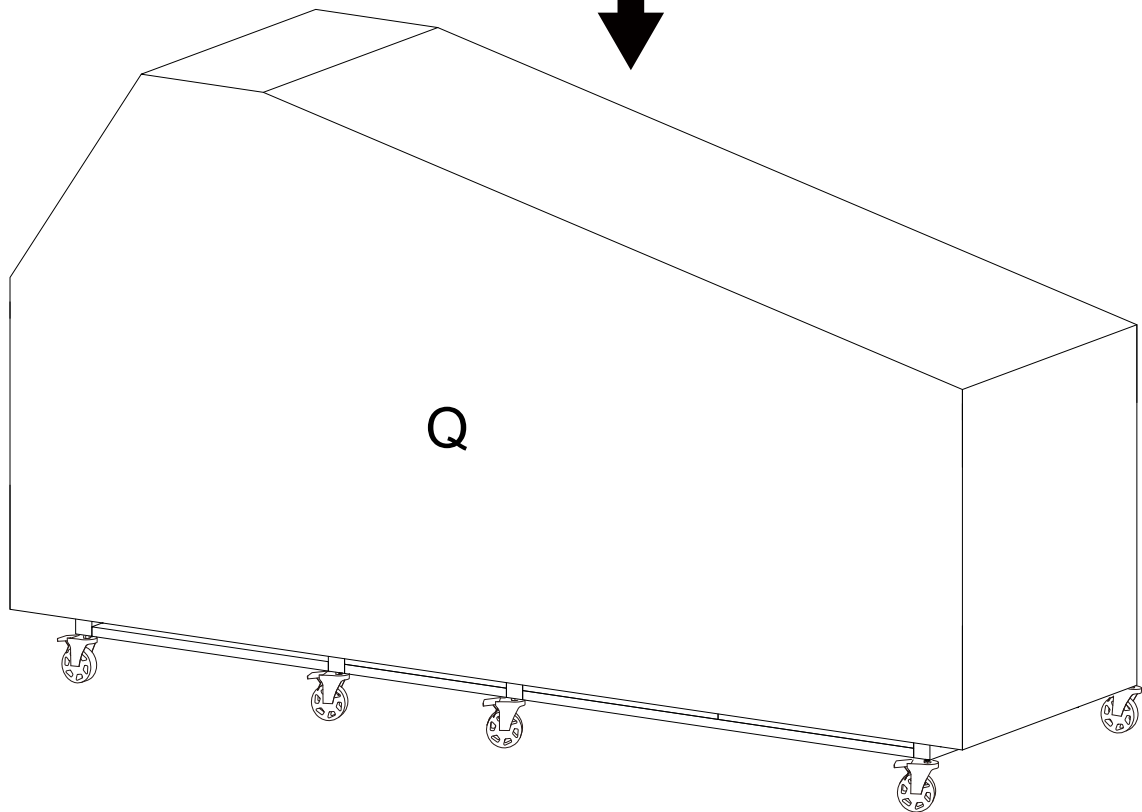
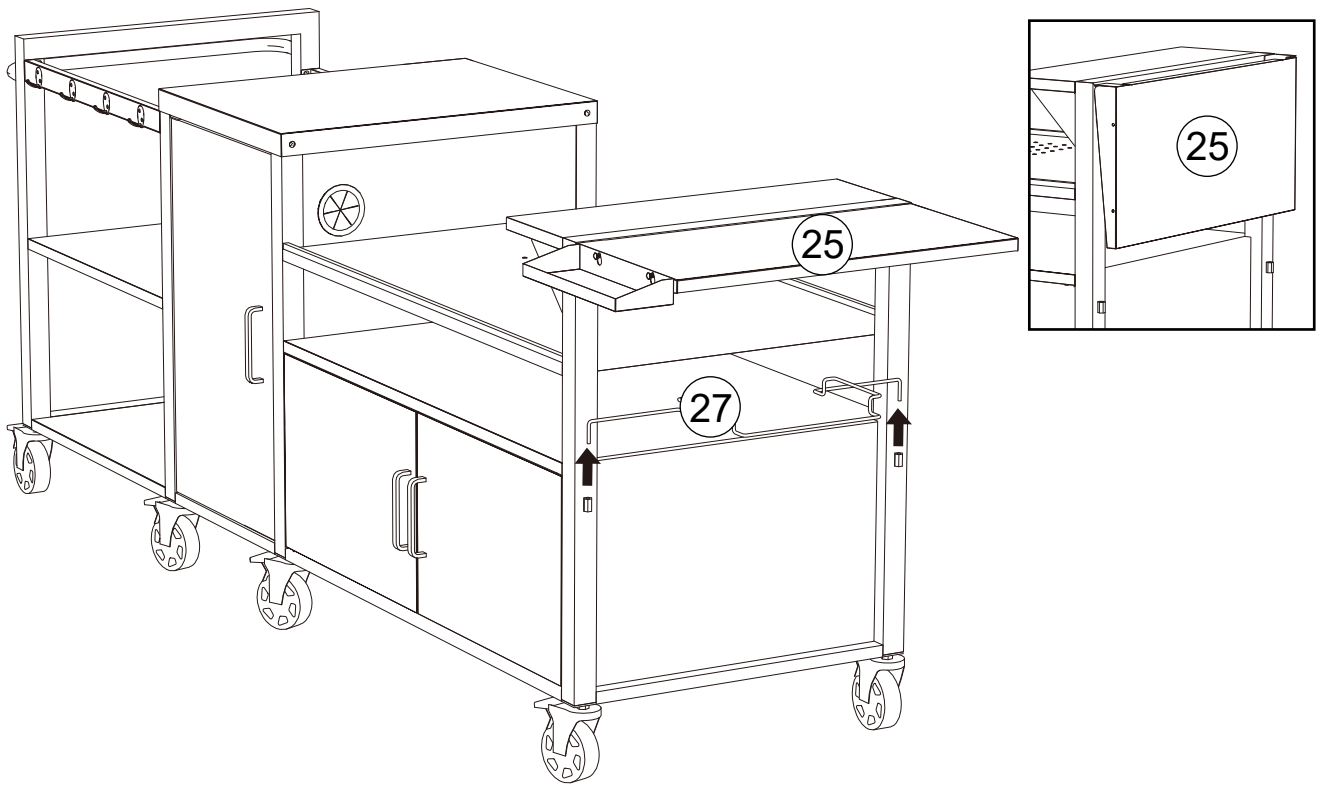
**23** Attach Part #12 to Part #13 with Nut G as shown.  
Install Part #27 to Part #20 holes as shown.



**Enjoy the unit!**



24



Considering the large size of this grill cart, it is difficult to find a suitable cover on the market. We provide a waterproof cover. Before covering the grill cart with the waterproof cover, please remove the waste rack and fold down the extension panels.

