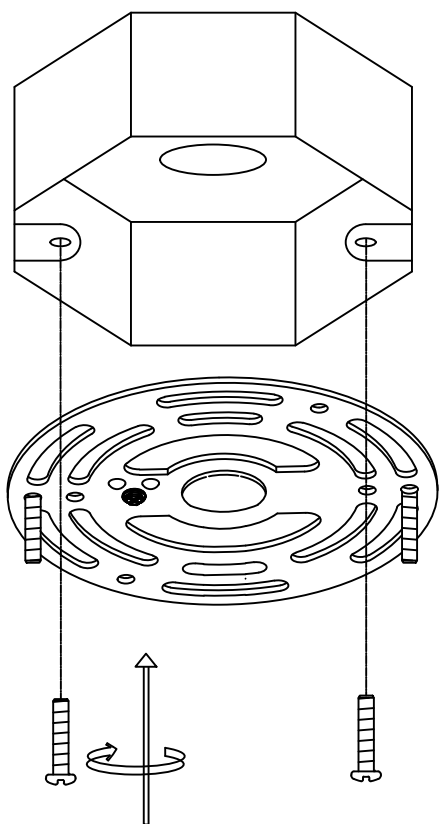


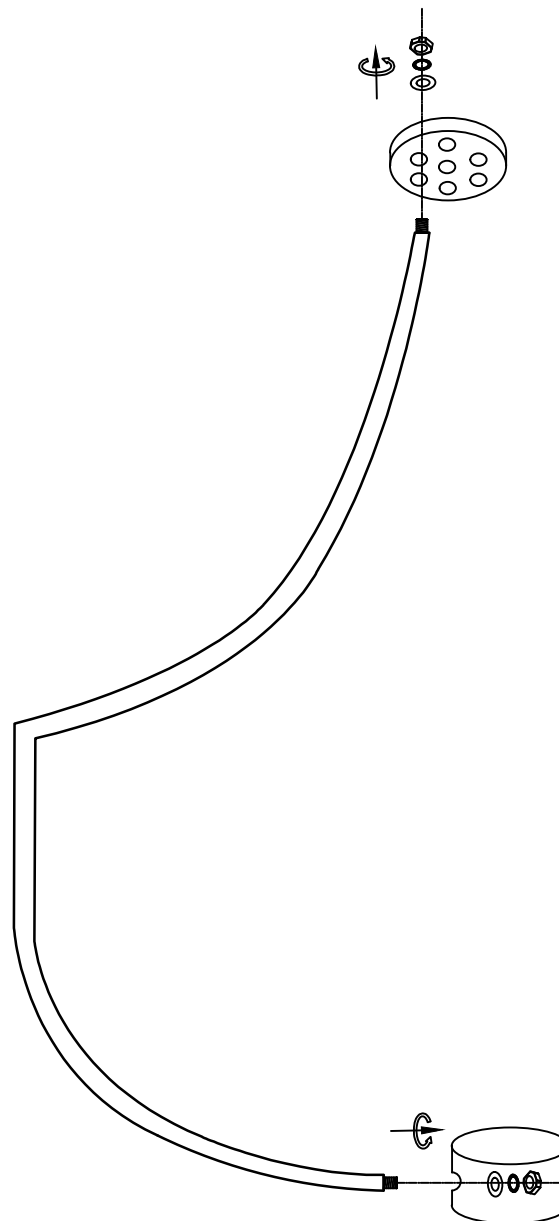
Installation

L016006-D500-P5B

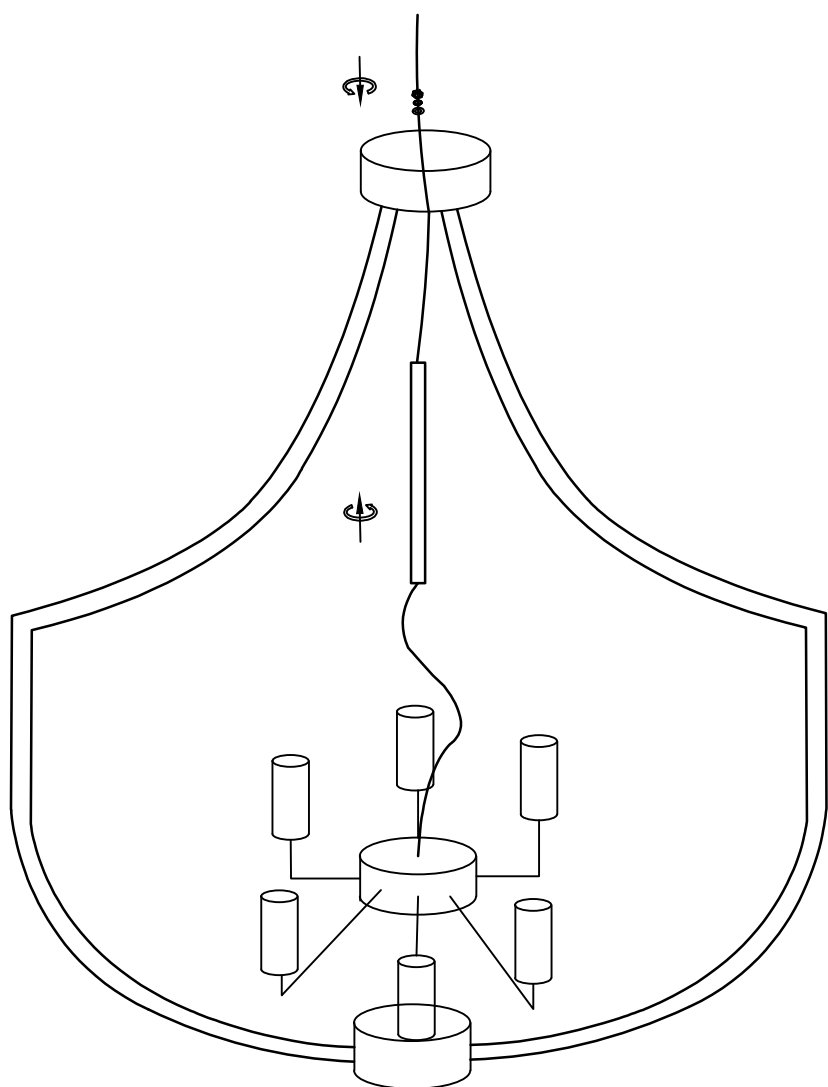
- 1** Install the mounting plate to the outlet box by screws.



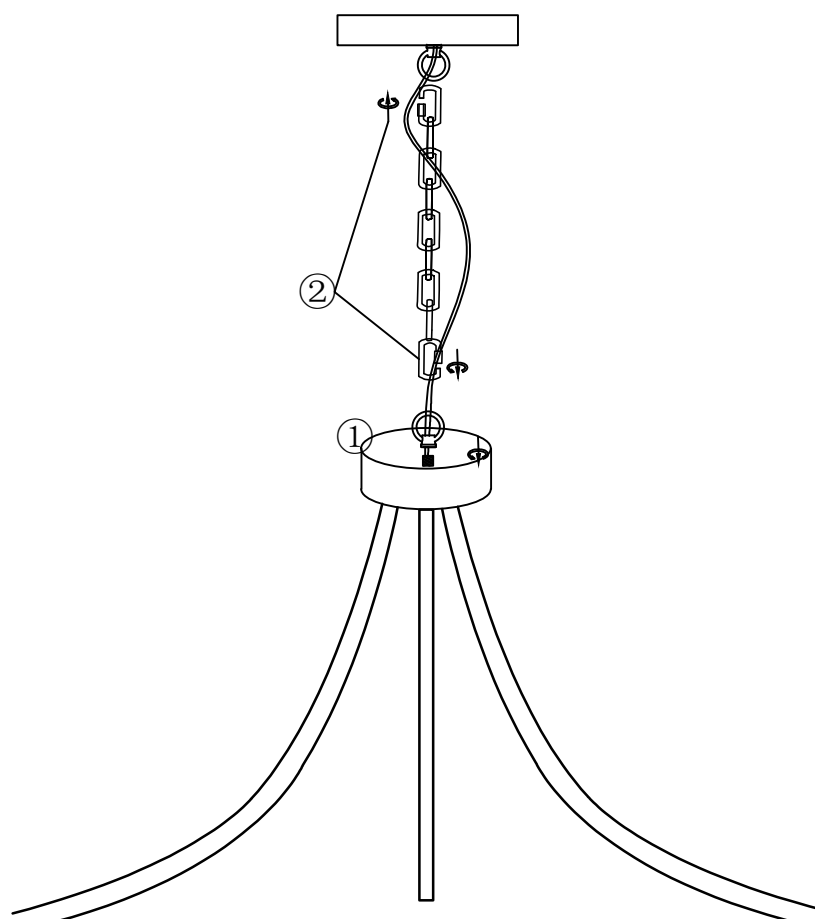
- 2** Fix all lamp arm into the top and bottom box by hexagonal nut and washer.



- 3** Put the lamp holder's wire through the support tube, and install it to the top box.



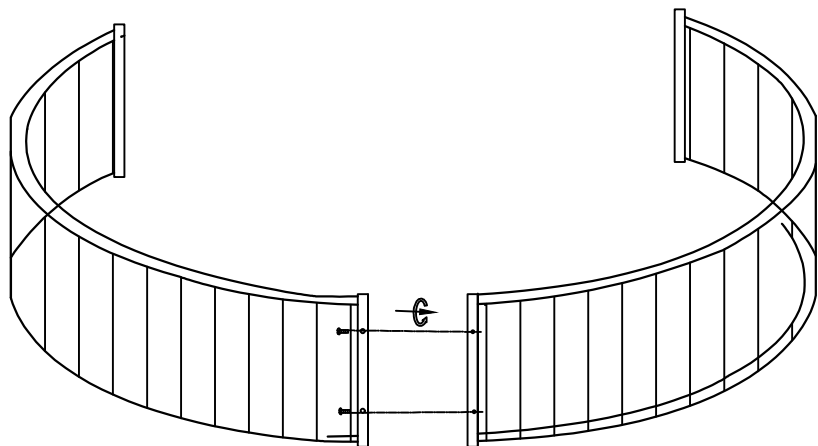
- 4** ① Install the loop to the thread of shade and put the wire through the hanging chain.
② Adjust the hanging wire and chain to suitable length. Install the quick link to the loop.



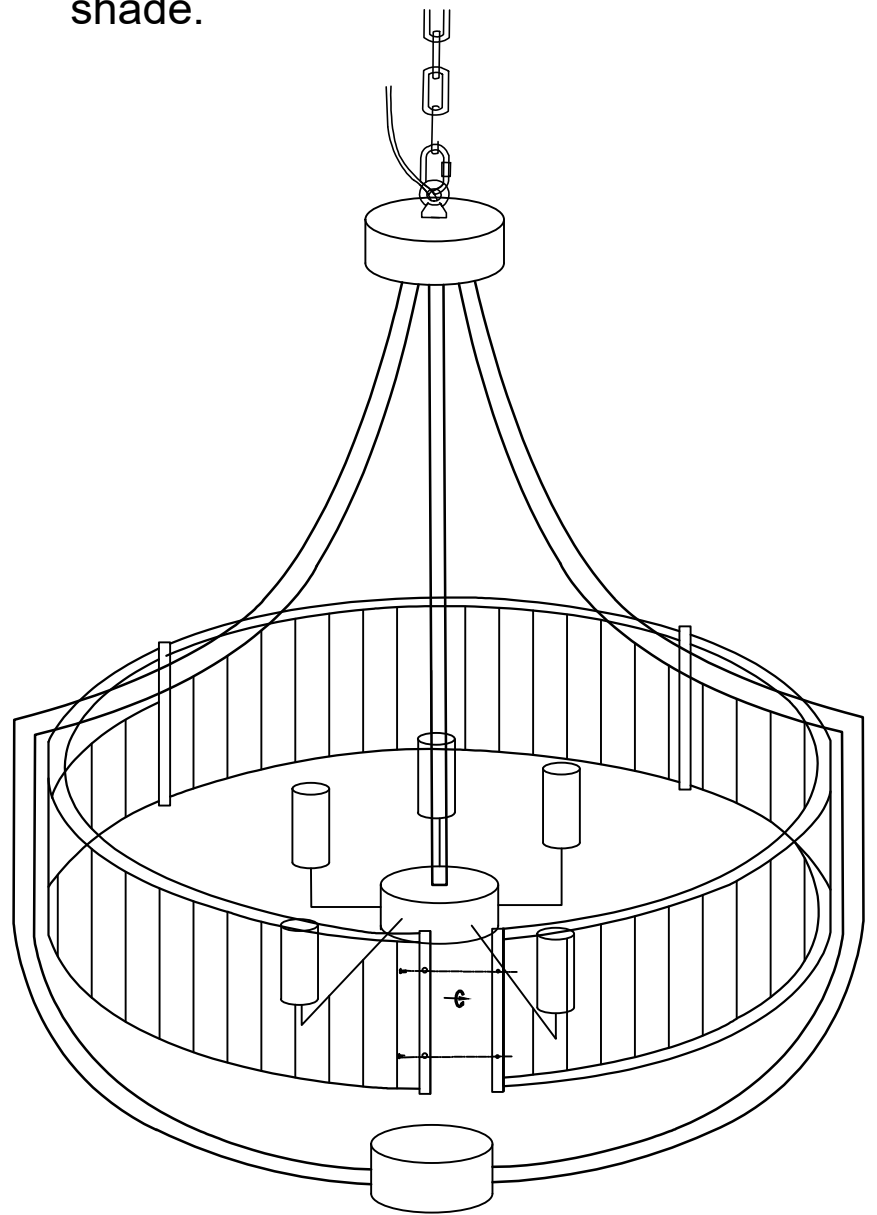
Installation

L016006-D500-P5B

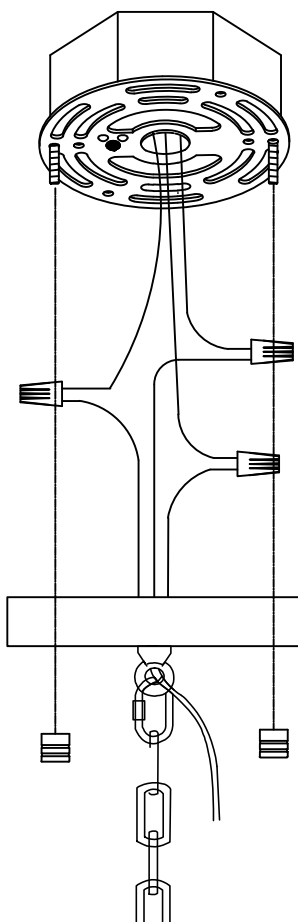
5 Install two weave shade by screws.



6 Put step 5 connect weave shade into the lamp, then install the final weave shade.



7 Connect the wire by connector, and fix the canopy to the bracket by ball nut.



8 Install E26 bulbs.

