



protect. **teach.** love.™

# Plastic Pet Door

## La Chatière en plastique

## La Puerta de plástico para mascotas

Installation Guide

Manuel d'installation

Manual de instalación




Model Numbers  
Numéros de modèles  
Números de modelo

PPA00-10958  
PPA00-10959  
PPA00-10960  
PPA00-10961  
HPA11-10966  
HPA11-10967  
HPA11-10968  
HPA11-10969

PLEASE READ THIS ENTIRE GUIDE BEFORE INSTALLING.  
VEUILLEZ LIRE TOUT CE MANUEL AVANT DE COMMENCER.  
POR FAVOR, LEA COMPLETAMENTE ESTA GUÍA ANTES DE COMENZAR.

# IMPORTANT SAFETY INFORMATION

Explanation of Attention Words and Symbols used in this guide

 This is the safety alert symbol. It is used to alert you to potential personal injury hazards. Obey all safety messages that follow this symbol to avoid possible injury or death.

**⚠ WARNING** **WARNING** indicates a hazardous situation which, if not avoided, could result in death or serious injury.

**⚠ CAUTION** **CAUTION**, used with the safety alert symbol, indicates a hazardous situation which, if not avoided, could result in minor or moderate injury.

**NOTICE** **NOTICE** is used to address safe use practices not related to personal injury.

## **⚠ WARNING**

- When children are present in the home, it is important to consider the pet door during child proofing activities. The pet door may be misused by a child resulting in the child accessing potential hazards that may be on the other side of the pet door. Purchasers/Homeowners with swimming pools should ensure that the pet door is monitored at all times and that the swimming pool has adequate barriers to entry. If a new hazard is created inside or outside of your home, which may be accessed through the pet door, Radio Systems Corporation recommends that you properly guard access to the hazard or remove the pet door. The closing panel or lock, if applicable, is provided for aesthetic and energy efficiency purposes and is not intended as a security device. Radio Systems Corporation will not be liable for unintended use and the purchaser of this product accepts full responsibility for oversight of the opening it creates.
- Power Tools. Risk of severe injury; follow all safety instructions for your power tools. Be sure to always wear your safety goggles.

## **⚠ CAUTION**

- The user, prior to installation, must become familiar with all building codes that may affect the installation of the pet door and determine, along with a licensed contractor, its suitability in a given installation. This pet door is not a fire door. It is important for the owner and contractor to consider any risks that may be present inside or outside of the pet door, and any risks that may be created by subsequent changes to your property and how they may relate to the existence and use, including misuse of the pet door.
- Be sure to use heavy scissors for cutting the core covers.

## **NOTICE**

- Keep these instructions with important papers; be sure to transfer these instructions to the new owner of the property.

Thank you for choosing the PetSafe® brand. You and your pet deserve a companionship that includes memorable moments and a shared understanding together. Our products and training tools enhance the relationship between pets and their owners. If you have any questions about our products or training your pet, please visit our website at [www.petsafe.com](http://www.petsafe.com).

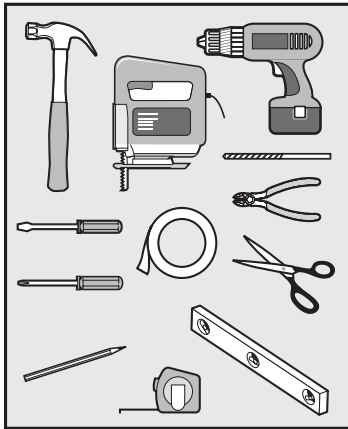
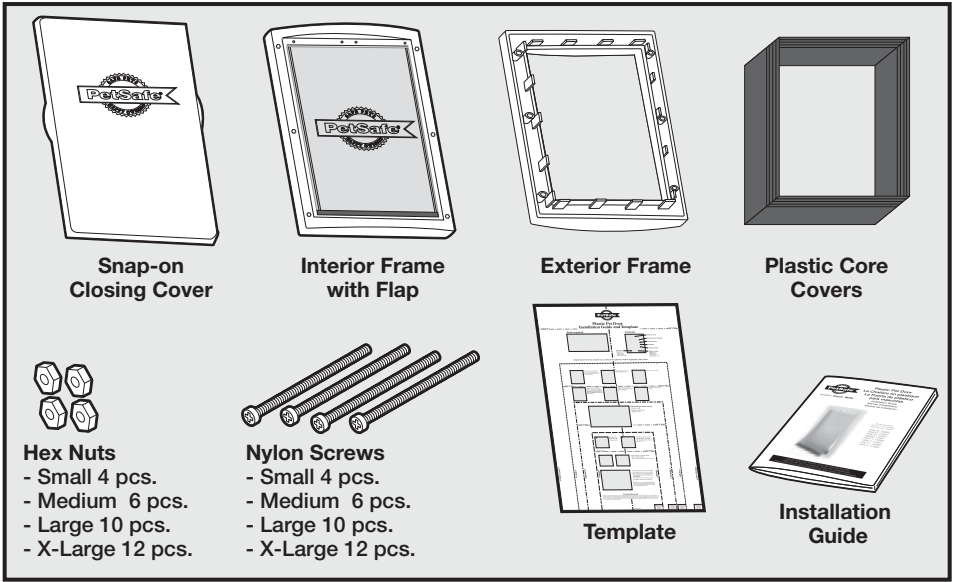
To get the most protection out of your warranty, please register your product within 30 days at [www.petsafe.com](http://www.petsafe.com). By registering and keeping your receipt, you will enjoy the product's full warranty and should you ever need to call the Customer Care Centre, we will be able to help you faster. Most importantly, PetSafe® will never give or sell your valuable information to anyone. The complete warranty information is available online at [www.petsafe.com](http://www.petsafe.com).

---

## Table of Contents

Components.....	4
Key Definitions .....	4
<b>Installing Your Pet Door</b>	
Determine Pet Door Location .....	5
Prepare Door.....	5
Cut Pet Door Opening .....	6
Fit Plastic Core Covers .....	6
Install Pet Door .....	7
Train Your Pet.....	7
Replacement Flaps.....	8
Replacement Parts and Accessories .....	8
Terms of Use and Limitation of Liability .....	8
Customer Care International .....	9
Warranty .....	9
<b>Français</b> .....	11
<b>Español</b> .....	19

# Components



## Tools Needed

- Hammer
- Jigsaw
- Drill
- 3/8" (0,95 cm) Drill Bit
- Wire Cutters
- Slotted & Phillips Screwdrivers
- Masking or Painter's Tape
- Scissors
- Pencil
- Tape Measure
- Level
- Safety Equipment

## Optional

- Duct Tape
- Caulk

**NOTE:** The PetSafe® Plastic Pet Door can be installed in most doors and walls. Additional tools and materials, such as wood framing, may be required.

## Key Definitions

**Outer Frame Size:** Overall pet door dimensions

**Cut Out Size:** Opening cut in homeowner's door for proper fit and pet door installation

**Replacement Flap Size:** Overall flap size when removed from pet door. During extreme changes in weather, vinyl flaps can shrink during cold months and stretch in warmer months

**Flap Opening Size:** Usable flap size for pet to enter and exit through pet door

**Interior Frame:** Pet door frame on the inside of home

**Exterior Frame:** Pet door frame on the outside of home

**Snap-on Closing Panel:** Cover that snaps onto the pet door frame to close the pet door opening

# Installing Your Pet Door

*NOTE: If painting the pet door, it is recommended to paint it prior to the pet door being installed. For best results, use a primer for plastics before applying your paint.*

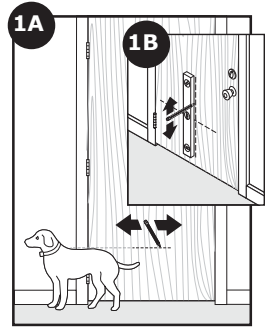
## Step 1

### Determine Pet Door Location

**1A.** Measure and mark your pet's shoulder height on the door.

**1B.** Determine location for the pet door. Draw a vertical centre line through the shoulder height line using a level.

*NOTE: If homeowner's door or other application is not level, the pet door must be marked level to swing properly.*



## Step 2

### Prepare Door

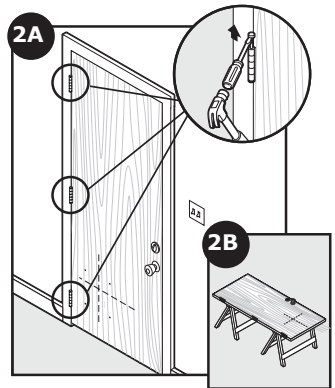
**2A.** Remove door from hinges.

**2B.** Place on a raised level surface such as saw horses.

**Helpful Tip:** Clamp or weigh down the door to prevent it from moving.

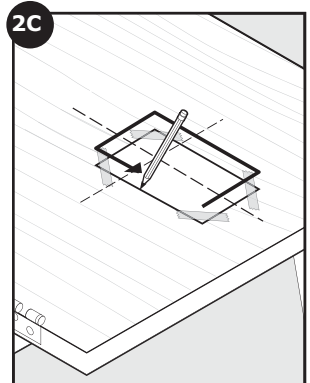
*NOTE: The Pet Door can be installed with the door hanging based on your skill level.*

**2C.** Cut out the correct template size. Match the marked lines on the door with the shoulder and centre lines on the template. Tape the template in place and carefully trace template. Make sure to trace underneath tape and connect the corners. Now, remove the template and any excess tape from the door.



#### **NOTICE**

When applying template there should be a minimum of 3" (8 cm) between the bottom and sides of the door and the outer edge of the template to maintain the structural integrity of the door.



## Step 3

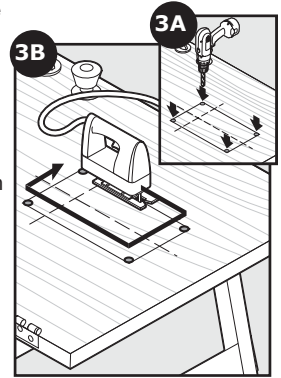
### Cut Pet Door Opening

- 3A.** Drill  $\frac{3}{8}$ " (0,95 cm) holes in inside corners of drawn template. These will be the pilot holes for the saw blade.

**Helpful Tip:** Use both hands to hold drill steady and straight at a 90° angle.

- 3B.** Beginning in one of the holes you just drilled, cut along the drawn template lines. After cutting out the opening, you may need to recut to square opening. This is necessary for the pet door frame to fit correctly.

**Helpful Tip:** Use a proper saw blade according to door material (for example a wood blade for wood door and metal blade for a metal door). When cutting use both hands to hold the saw slow, steady and straight at a 90° angle. This will prevent the blade from cutting unevenly between interior and exterior areas of door.



#### **NOTICE**

Make sure there is nothing underneath the door where you will be drilling the holes or cutting out opening.

## Step 4

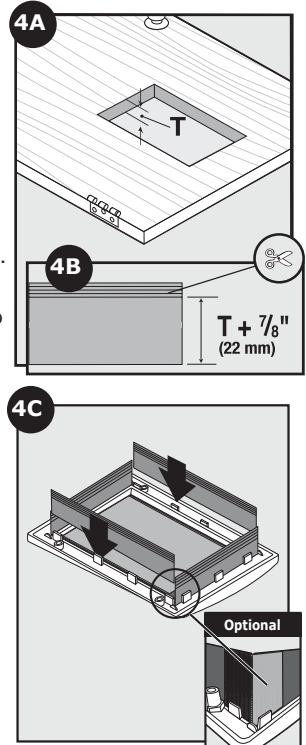
### Fit Plastic Core Covers

- 4A.** Measure the thickness (T) of your door. Note this measurement.

- 4B.** Cut the grooved side of the plastic core covers to equal the thickness (T) of your door +  $\frac{7}{8}$ " (2,22 cm).

- 4C.** Place side of core covers with one rib (uncut edge) facing inside and snap into tabs of interior frame (frame with flap). Also, core covers may need to be trimmed to meet at corners.

**Optional:** Use duct tape in the corners of core covers to help secure in place and to improve weather resistance. Cut off any excess tape.



## Step 5

# Install Pet Door

**Fit** ✓

**Check** Before putting away the jigsaw, place the interior frame (frame with the flap) inside the cut out and check the fit. Then, place the exterior frame into the underside of the door to check the fit. If frames do not fit inside the opening, you may need to recut to square opening before proceeding with installation.

**Helpful Tip:** Tape the flap up to keep it out of the way during the installation.

**5A.** Place interior frame (frame with flap) into cutout. Next place exterior frame into cutout from underside of door, aligning core covers into tabs of frame. Hold frame together with one hand.

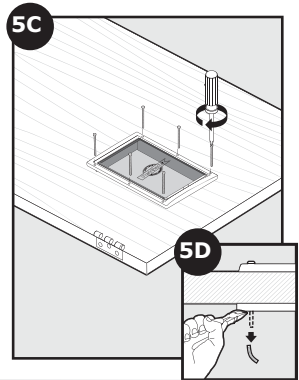
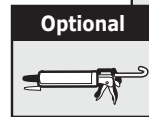
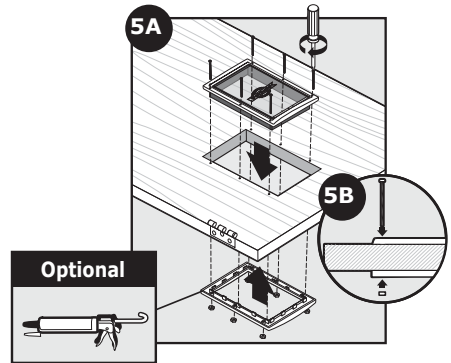
**5B.** Drop nylon screws through holes in frame then thread hex nut to bottom of each screw. While continuing to hold frames, tighten screws until frames come together.

**Optional:** Caulk around the exterior frame (frame without the flap) and inside threshold where core covers meet for weather resistance.

**5C.** Use a screwdriver to evenly tighten screws throughout frame while keeping core covers in position. It may be necessary to adjust screws to make sure pet door fit is correct.

**5D.** Cut off excess screws length with wire cutters. Hold wire cutters flush with frame for a clean, level cut.

**NOTICE** Use a manual screwdriver to tighten the screws. Do not overtighten. Overtightening can strip the thread off the screws or bow the pet door frame.

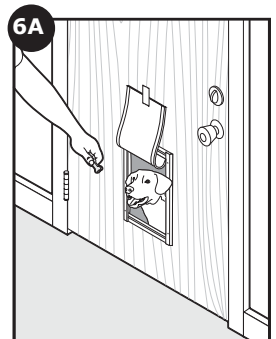


## Step 6

# Train Your Pet

**6A.** Rehang your door and begin training your pet. Tape the flap open to help your pet become familiar with the opening.

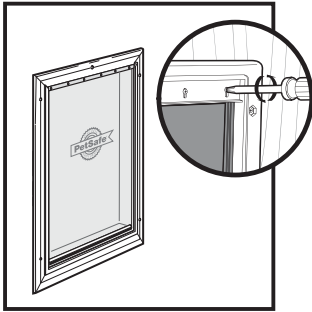
**Helpful Tip:** Try treats to encourage your pet to go through the pet door and become comfortable using it.



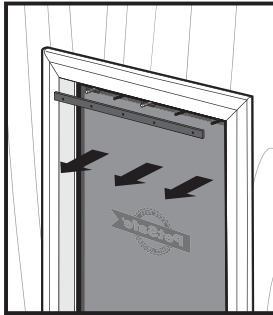
# Replacement Flaps

## Replace & Adjust

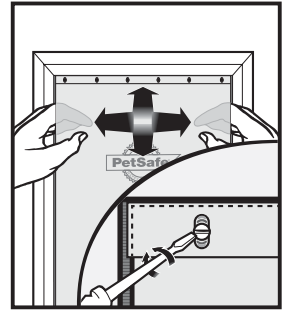
During extreme changes in weather, vinyl flaps can shrink during cold months and stretch in warmer months. Easily replace or adjust to ensure a snug fit during seasonal changes.



**To Replace:** Remove screws from the interior frame of pet door.



Remove bar and flap.



Replace new vinyl flap and position horizontally and vertically to fit into door frame. Replace existing bar and tighten screws in place.

**To Adjust:** Slightly loosen screws from interior frame of pet door.

Slightly move bar away from flap.

Adjust flap horizontally and/or vertically to fit into door frame. Push bar towards flap and tighten screws in place.

## Replacement Parts and Accessories

To purchase replacement parts for your PetSafe® Plastic Pet Door, visit our website at [www.petsafe.com](http://www.petsafe.com) to locate a retailer near you and for a listing of Customer Care Centre telephone numbers in your area.

Plastic Pet Door	Replacement Part Number
Small Replacement Flap	PAC11-11037
Medium Replacement Flap	PAC11-11038
Large Replacement Flap	PAC11-11039
Extra Large Replacement Flap	PAC11-11040

## Terms of Use and Limitation of Liability

### 1. Terms of Use

The use of this product is subject to your acceptance without modification of the terms, conditions and notices contained with this product. Use of this product implies acceptance of all such terms, conditions, and notices. If you do not wish to accept these terms, conditions, and notices, please return the Product, unused, in its original packaging and at your own cost and risk to the relevant Customer Care location together with proof of purchase for a full refund.

### 2. Proper Use

Proper Use includes, without limitation, reviewing the entire Product Manual and any specific safety information statements. The specific temperament or size/weight of your pet may not be suitable for this product. If you are unsure whether this Product is appropriate for your pet, please consult your veterinarian or certified trainer prior to use. For products used with pets where training is desired, Radio Systems Corporation recommends that these training products are not used if your pet is aggressive and accepts no liability for determining suitability in individual cases.



### 3. **No Unlawful or Prohibited Use**

This product is designed for use with pets only. This product is not intended to harm, injure or provoke. Using this product in a way that is not intended could result in violation of Federal, State or local laws.

### 4. **Limitation of Liability**

In no event shall Radio Systems Corporation or any of its associated companies be liable for (i) any direct, indirect, punitive, incidental, special or consequential damage and/or (ii) any loss or damages whatsoever arising out of or connected with the use or misuse of this product. The Purchaser assumes all risks and liability from the use of this product to the fullest extent permissible by law.

### 5. **Modification of Terms and Conditions**

Radio Systems Corporation reserves the right to change the terms, conditions and notices governing this product from time to time. If such changes have been notified to you prior to your use of this product, they shall be binding on you as if incorporated herein.

## **Customer Care International**

USA & Canada - Tel: 800-732-2677

Monday - Friday 8 AM - 8 PM / Saturday 9 AM - 5 PM

UK - Tel: 0800 046 1414

Monday - Friday 8:30 AM - 5 PM

Australia - Tel: 1800 786 608

Monday - Friday 8:30 AM - 5 PM

New Zealand - Tel: 0800 543 054

Monday - Friday 10:30 AM - 7 PM

## **Warranty**

### **Three Year Non-Transferable Limited Warranty**

This Product has the benefit of a limited manufacturer's warranty. Complete details of the warranty applicable to this Product and its terms can be found at [www.petsafe.com](http://www.petsafe.com) and/or are available by contacting your local Customer Care Centre:

#### **Europe**

Radio Systems PetSafe Europe Ltd.

2nd Floor, Elgee Building, Market Square

Dundalk, Co. Louth, A91 YR9X Ireland

### **One Year Non-Transferable Limited Warranty**

This Product has the benefit of a limited manufacturer's warranty. Complete details of the warranty applicable to this Product and its terms can be found at [www.petsafe.com](http://www.petsafe.com) and/or are available by contacting your local Customer Care Centre:

#### **US/Canada**

Radio Systems Corporation

10427 PetSafe Way

Knoxville, TN 37932 USA

#### **Australia/New Zealand**

In compliance with the Australian Consumer Law, Warranties Against Defects, effective January 1, 2012, warranty details of this Product are as follows: Radio Systems Australia Pty Ltd (hereinafter referred to as "Radio Systems") warrants to the original retail purchaser, and not any other purchaser or subsequent owner, that its Product, when subject to normal and proper residential use, will be free from defects in material or workmanship for a period of one (1) year from the purchase date. An "original retail consumer purchaser" is a person or entity who originally purchases the Product, or a gift recipient of a new Product that is unopened and in its original packaging. When serviced by Radio Systems Customer Service, Radio Systems covers labour and parts for the first year of

ownership; after the first year, a service or upgrade charge will apply relative to replacement of the Product with new or refurbished items at Radio Systems' sole discretion.

The limited warranty is non-transferable and shall automatically terminate if the original retail consumer purchaser resells the Radio Systems Product or transfers the property on which the Radio Systems Product is installed. This Limited Warranty excludes accidental damage due to dog chews; lightning damage; or neglect, alteration, and misuse. Consumers who purchase products outside of Australia, New Zealand, or from an unauthorized dealer will need to return the Product to the original place of purchase for any warranty issues. Please note that Radio Systems does not provide refunds, replacements, or upgrades for change of mind, or any other reason outside of these Warranty terms.

### **Claims Procedure**

Any claim made under this Warranty should be made directly to Radio Systems Australia Pty Ltd Customer Care Centre at:

Radio Systems Australia Pty Ltd.  
PO Box 3442  
Australia Fair QLD 4215, Australia  
Australia Residents: 1800 786 608  
New Zealand Residents: 0800 543 054  
Email: [aus-info@petsafe.net](mailto:aus-info@petsafe.net)

To file a claim, a proof of purchase must be provided. Without a proof of purchase, Radio Systems will not repair or replace faulty components. Radio Systems requests the Consumer to contact the Radio Systems Customer Care Centre to obtain a Warranty Return Number, prior to sending the Product. Failure to do so may delay in the repair or replacement of the Product.

If the Product is deemed to be faulty within 30 days from date of original purchase, Radio Systems will organize for a replacement to be sent in advance of returning the faulty Product. A Post Bag will be included with the replacement Product for the return of the faulty Product. The Product must be returned within 7 days of receiving the replacement. If the Product is deemed to be faulty after 30 days from the date of original purchase, the consumer will be required to return the Product to Radio Systems at the consumer's own expense. Radio Systems will test and replace the faulty unit or its components and return to the consumer free of charge, provided the Product is within its said warranty period. This warranty is in addition to other rights and remedies available to you under the law. Radio Systems goods come with guarantees that cannot be excluded under the Australia Consumer Law. You are entitled to a replacement or refund for a major failure and for compensation for any other reasonably foreseeable loss or damage. You are also entitled to have the goods repaired or replaced if the goods fail to be of acceptable quality and the failure does not amount to a major failure.

Should you have any queries or require any further information, please contact our Customer Care Centre on 1800 786 608 (Australia) or 0800 543 054 (New Zealand).

## CONSIGNES DE SÉCURITÉ IMPORTANTES

Explication des avis et symboles utilisés dans le présent manuel

**!** Il s'agit d'un symbole d'alerte relatif à la sécurité. Il sert à vous avertir d'un risque de blessure. Respectez tous les messages de sécurité qui suivent ce symbole afin d'éviter tout risque de blessure ou de mort.

**⚠ AVERTISSEMENT** **AVERTISSEMENT** indique une situation dangereuse qui, si elle n'est pas évitée, pourrait causer des blessures graves ou la mort.

**⚠ ATTENTION** **ATTENTION**, utilisé avec le symbole d'alerte de sécurité, indique une situation dangereuse qui, si elle n'est pas évitée, pourrait causer une blessure légère ou modérée.

**AVIS** **AVIS** indique les pratiques d'utilisation sûres qui ne risquent pas de causer des blessures corporelles.

### **⚠ AVERTISSEMENT**

- Si vous avez des enfants à la maison, il est important de tenir compte de la chatière lorsqu'il est question d'assurer la sécurité des enfants. La chatière pourrait être mal employée par un enfant et l'exposer à des dangers éventuellement présents de l'autre côté de la chatière. Les acheteurs/propriétaires qui ont une piscine doivent s'assurer que la chatière est surveillée en permanence et que la piscine est entourée de barrières adéquates. Si vous effectuez une installation qui pourrait créer un nouveau danger à l'extérieur ou à l'intérieur de votre maison et que la chatière y donne accès, Radio Systems Corporation vous recommande de protéger correctement l'accès à ce danger potentiel ou de retirer la chatière. Le panneau de fermeture ou le verrou, le cas échéant, est fourni à des fins esthétiques et d'économie d'énergie ; il ne s'agit pas d'un dispositif de sécurité. Radio Systems Corporation décline toute responsabilité en cas d'utilisation incorrecte du produit et la responsabilité de surveiller l'ouverture créée par ce dispositif revient entièrement à l'acheteur.
- Outils électriques. Risque de blessure grave; respectez toutes les directives relatives à la sécurité qui accompagnent vos outils électriques. Veillez à toujours porter vos lunettes de protection.

### **⚠ ATTENTION**

- Avant l'installation, l'utilisateur doit se familiariser avec les codes de construction susceptibles d'affecter l'installation de la chatière et déterminer, avec l'aide d'un entrepreneur agréé, son caractère approprié dans une installation donnée. Cette chatière n'est pas une porte coupe-feu. Il est important pour le propriétaire et l'entrepreneur de prendre en compte tous les risques éventuels à l'intérieur ou à l'extérieur de la chatière ainsi que tous les risques consécutifs aux modifications ultérieures de votre propriété, et l'impact que celles-ci peuvent avoir sur l'existence, l'utilisation, et même le mauvais usage, de la chatière.
- S'assurer d'utiliser des ciseaux robustes pour couper les couvercles de centre.

### **AVIS**

- Gardez ces instructions avec les documents importants; veillez à les transférer au nouveau propriétaire de votre maison, le cas échéant.

Merci d'avoir choisi la marque PetSafe®. Vous et votre animal méritez une camaraderie qui comprend des moments mémorables et une compréhension partagée. Nos produits et nos outils de dressage permettent aux animaux et leurs propriétaires de vivre une meilleure relation. Si vous avez des questions sur nos produits ou l'entraînement de votre animal, veuillez visiter notre site Internet au [www.petsafe.com](http://www.petsafe.com).

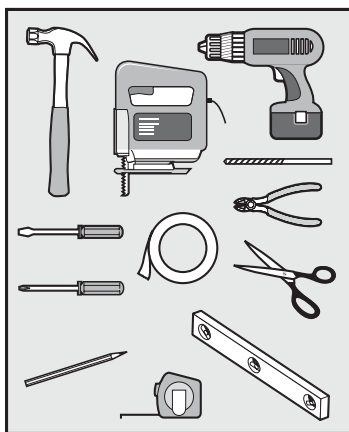
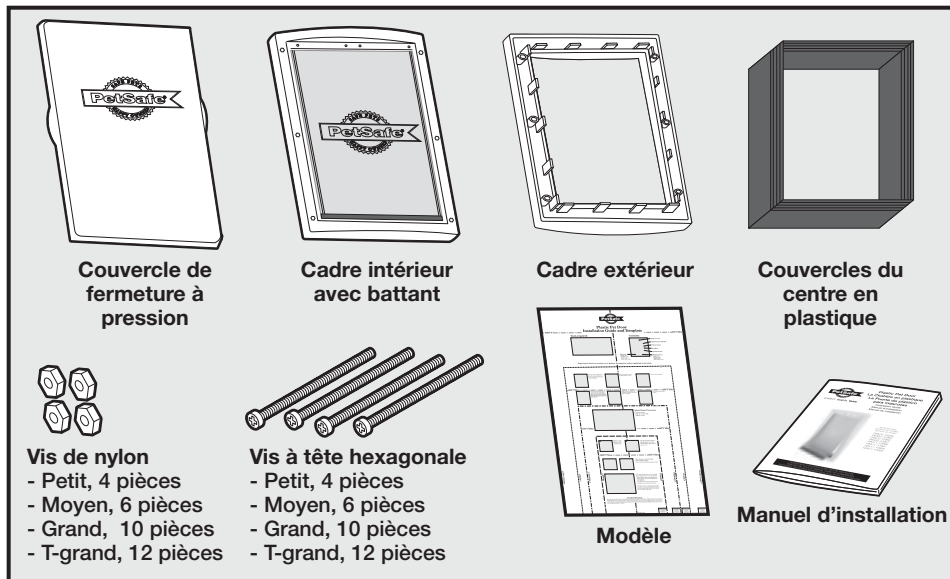
Pour obtenir la protection maximale de votre garantie, veuillez enregistrer votre produit sur notre site Web dans les 30 jours suivant votre achat à l'adresse [www.petsafe.com](http://www.petsafe.com). En enregistrant votre produit moins de 30 jours après la date d'achat et en conservant votre reçu, vous bénéficierez d'une réponse plus rapide du service à la clientèle s'il advenait que vous deviez communiquer avec eux. Plus important encore, PetSafe® remettra ni ne vendra de renseignements importants à votre sujet à quiconque. L'information complète de la garantie est disponible en ligne à l'adresse [www.petsafe.com](http://www.petsafe.com).

---

## Table des matières

Contenu du kit.....	13
Définitions.....	13
<b>Installer votre la chatière</b>	
Déterminer l'emplacement de la chatière.....	14
Préparer la chatière.....	14
Découper l'ouverture de la chatière.....	15
Ajuster les couvercles de centre en plastique.....	15
Installer la chatière.....	16
Dresser votre animal.....	16
Battants de rechange.....	17
Pièces de rechange et accessoires.....	17
Conditions d'utilisation et limitation de responsabilité.....	17
Service à la clientèle international.....	18
Garantie.....	18

# Contenu du kit



## Outils nécessaires

- Marteau
- Scie sauteuse
- Perceuse
- Foret de 0,95 cm (3/8")
- Cisaille
- Tournevis cruciforme et pour écrous à fente
- Ruban masque ou de peintre
- Ciseaux
- Crayon
- Ruban à mesurer
- Niveau
- Équipement de sécurité

## En option

- Ruban adhésif en toile
- Matériau d'étanchéité

**REMARQUE :** La chatière en plastique PetSafe® peut être installée dans la plupart des portes et des murs. D'autres outils et matériaux, comme un cadre de bois, pourraient être nécessaires.

## Définitions

**Taille du cadre extérieur :** dimensions hors-tout de la chatière

**Taille de la découpe :** taille de l'ouverture découpée dans la porte du propriétaire pour pouvoir installer correctement la chatière.

**Dimensions du battant de rechange :** dimensions hors-tout du battant une fois retiré de la chatière. Pendant les changements extrêmes de conditions météo, les battants de vinyle peuvent rapetisser lors des grands froids d'hiver et prendre de l'expansion pendant les canicules estivales

**Taille de l'ouverture du rabat :** dimension utile du battant pour que l'animal puisse entrer et sortir par la chatière

**Cadre intérieur :** Cadre de la chatière se trouvant vers l'intérieur de la maison

**Cadre extérieur :** Cadre de la chatière se trouvant vers l'extérieur de la maison

**Panneau de fermeture à pression :** Couvercle se verrouillant sur le cadre de la chatière pour en fermer l'ouverture

# Installer votre la chatière

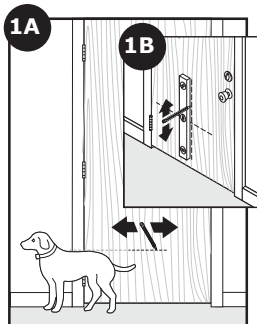
**REMARQUE :** Si la chatière doit être peinte, il est préférable de le faire avant de l'installer. Pour obtenir les meilleurs résultats, utiliser un apprêt pour plastique avant d'appliquer la peinture.

## Étape 1

### Déterminer l'emplacement de la chatière

- 1A.** Mesurer et marquer la hauteur à l'épaule de votre animal sur la porte.
- 1B.** Déterminer l'emplacement de la chatière. Tracer une ligne centrale verticale croisant la ligne représentant la hauteur à l'épaule de l'animal à l'aide d'un niveau.

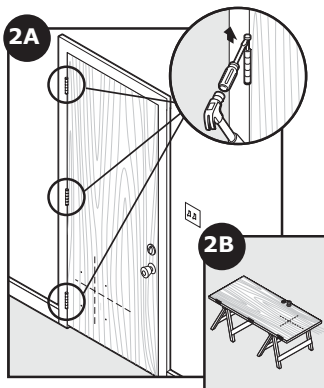
**REMARQUE :** Si la porte du propriétaire ou tout autre support n'est pas bien nivelé, la chatière doit être installée à niveau afin de basculer correctement.



## Étape 2

### Préparer la chatière

- 2A.** Retirer la porte de ses charnières.
- 2B.** La placer sur une surface surélevée, comme des bancs de scie.  
**Astuce :** Coincer la porte avec des pinces ou la charger de poids pour éviter qu'elle ne bouge.  
**REMARQUE :** La chatière peut être installée avec le battant suspendu si vos aptitudes le permettent.
- 2C.** Couper le modèle aux bonnes dimensions. Aligner les lignes marquées sur la porte sur la ligne représentant la hauteur à l'épaule de l'animal et la ligne centrale sur le modèle. Coller le modèle en place avec du ruban adhésif en place et tracer soigneusement ses contours. S'assurer de faire le tracé en dessous du ruban adhésif et de relier les coins. Retirer ensuite le modèle et tout surplus de ruban adhésif de la porte.



#### AVIS

Lors de l'application du modèle de découpe, vous devez laisser au moins 8 cm (3") entre le bas et les côtés de la porte et le bord extérieur du gabarit afin de préserver l'intégrité structurelle de la porte.

## Étape 3

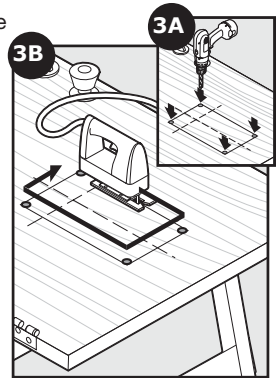
### Découper l'ouverture de la chatière

**3A.** Percer des trous de 0,95 cm (3/8") à l'intérieur des coins du modèle dessiné. Ces trous serviront à insérer la lame de scie.

**Astuce :** utiliser les deux mains pour assurer la stabilité de la perceuse pour garder un angle droit de 90 degrés.

**3B.** En commençant par l'un des trous tout juste percés, effectuer une découpe le long des lignes du modèle tracé. Une fois l'ouverture découpée, il peut s'avérer nécessaire d'effectuer d'autres découpes afin d'égaliser l'ouverture. Cela est requis pour s'assurer que le cadre de la chatière s'ajuste correctement.

**Astuce :** Utiliser une lame de scie convenant au matériel (lame pour bois si la porte est en bois, lame pour métal si la porte est en métal). Au moment de couper, utiliser les deux mains pour tenir la scie stable et droite et la faire avancer lentement à un angle de 90 degrés. Cela empêchera la lame d'effectuer une découpe irrégulière entre les faces intérieure et extérieure de la porte.



**AVIS**

Vérifier qu'il n'y a rien sous la porte, à l'endroit où vous allez percer les trous ou découper l'ouverture.

## Étape 4

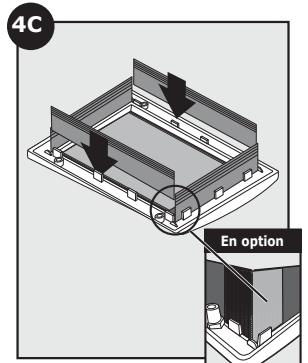
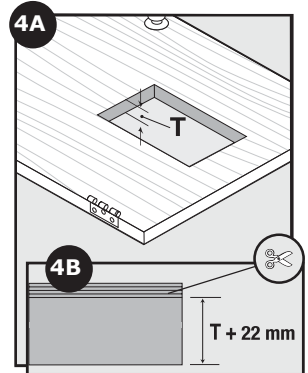
### Ajuster les couvercles de centre en plastique

**4A.** Mesurer l'épaisseur (T) de votre porte. Prendre en note cette mesure.

**4B.** Couper le côté côtelé des couvercles de centre en plastique pour égaliser l'épaisseur (T) de votre porte, en ajoutant 2,22 cm (7/8").

**4C.** Placer le côté des couvercles de centre de manière à ce qu'une côte (bord non coupé) soit orienté vers l'intérieur et s'enclenche dans la languettes du cadre intérieur (cadre avec le battant). Il pourrait aussi être nécessaire de couper les couvercles de centre pour que le joint se fasse correctement aux coins.

**En option :** Utiliser du ruban adhésif à tuyau dans les coins des couvercles de centre afin de les maintenir en place afin d'augmenter la résistance aux intempéries. Couper tout ruban adhésif en excès.



## Étape 5

# Installer la chatière

Verification

**d'ajustement** Avant de ranger la scie sauteuse, mettre le cadre intérieur (avec le battant) dans la découpe et vérifier l'ajustement. Placer ensuite le cadre extérieur sous la porte pour vérifier l'ajustement. Si les cadres ne s'ajustent pas à l'intérieur de l'ouverture, il peut s'avérer nécessaire de redécouper l'ouverture avant de poursuivre l'installation.

**Astuce :** Maintenir le battant ouvert avec du ruban adhésif pendant l'installation pour le tenir à l'écart.

**5A.** Placer le cadre intérieur (cadre avec le battant) dans l'ouverture. Placer ensuite le cadre extérieur dans l'ouverture, à partir du bas de la porte, en alignant les couvercles de centre avec les languettes du cadre. Tenir le cadre ensemble avec une seule main.

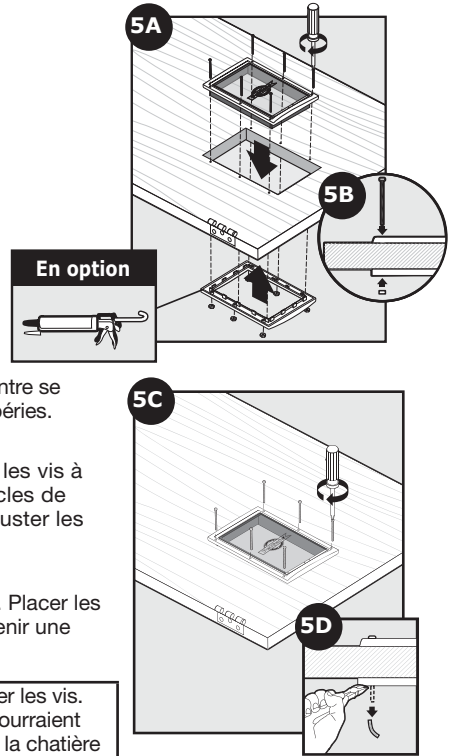
**5B.** Faire passer les vis de nylon dans les trous du cadre puis visser l'écrou hexagonal au bas de chaque vis. Tout en continuant de maintenir les cadres, serrer les vis jusqu'à ce que les cadres soient rassemblés.

**En option :** Mettre du produit de calfeutrage autour du cadre extérieur (cadre sans le battant) et à l'intérieur du seuil, là où les couvercles de centre se rencontrent pour assurer la résistance aux intempéries.

**5C.** Utiliser un tournevis pour serrer uniformément les vis à travers le cadre tout en maintenant les couvercles de centre en place. Il pourrait être nécessaire d'ajuster les vis afin que la chatière s'ajuste correctement.

**5D.** Couper tout excédant de vis à l'aide de cisailles. Placer les cisailles le plus près possible du cadre pour obtenir une coupe franche de niveau.

**AVIS** Utiliser un tournevis manuel pour serrer les vis. Ne pas trop serrer. Les filets des vis pourraient être ruinés si les vis sont trop serrées; la chatière pourrait également être déformée.

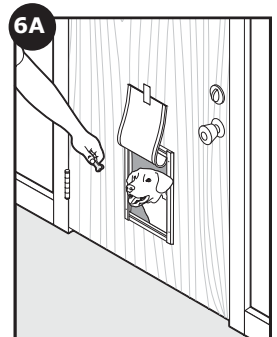


## Étape 6

# Dresser votre animal

**6A.** Remettre votre porte en place et commencer le dressage de votre animal. Maintenir le battant ouvert avec du ruban adhésif jusqu'à ce que l'animal se soit familiarisé avec l'ouverture.

**Astuce :** essayez d'appâter votre animal avec des gourmandises ou des jouets pour l'inciter à passer par la chatière et se familiariser avec celle-ci.

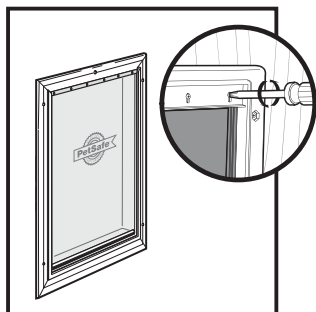




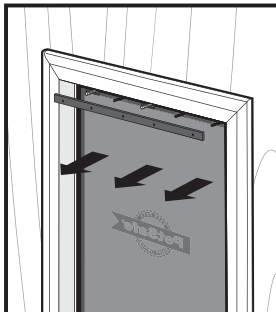
# Battants de rechange

## Remplacer et ajuster

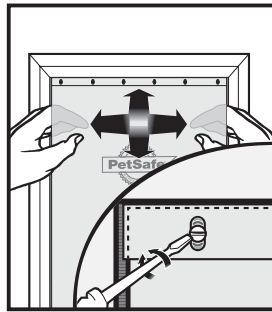
Pendant les changements extrêmes de conditions météo, les battants de vinyle peuvent rapetisser lors des grands froids d'hiver et prendre de l'expansion pendant les canicules estivales. Le battant se remplace ou s'ajuste facilement pour assurer un contact étroit pendant les changements saisonniers.



Pour remplacer : retirer les vis se trouvant du côté du cadre intérieur de la châtière.



Retirer la barre et le battant.



Remplacer le battant en vinyle par un nouveau et le placer de manière à ce qu'il s'ajuste à l'horizontale et à la verticale dans le cadre de la châtière. Remettre la barre déjà utilisée et resserrer les vis.

Pour ajuster : desserrer légèrement les vis du côté du cadre intérieur de la châtière.

Éloigner légèrement la barre du battant.

Placer le battant de manière à ce qu'il s'ajuste à l'horizontale et à la verticale dans le cadre de la châtière. Repousser la barre vers le battant et resserrer les vis.

## Pièces de rechange et accessoires

Pour acheter des pièces de rechange pour votre la châtière en verre PetSafe®, contactez le Service clientèle ou consultez notre site web pour connaître l'adresse du revendeur le plus proche de chez vous. Pour obtenir une liste des centres de service clientèle de votre région, consultez [www.petsafe.com](http://www.petsafe.com).

La Châtière en plastique	Numéro de référence de la pièce de rechange
Petit battant de rechange	PAC11-11037
Moyen battant de rechange	PAC11-11038
Grand battant de rechange	PAC11-11039
Très grand battant de rechange	PAC11-11040

# Conditions d'utilisation et limitation de responsabilité

## 1. Conditions d'utilisation

L'utilisation de ce produit est sujette à votre acceptation sans modification de l'intégralité des conditions générales et consignes d'utilisation fournies avec ce produit. L'utilisation de ce produit revient à en accepter les termes, conditions et consignes d'utilisation. Si vous n'acceptez pas ces conditions générales et consignes d'utilisation, veuillez renvoyer ce produit, inutilisé, dans son emballage d'origine et à vos frais et risques, au Service clientèle approprié avec la preuve d'achat, afin d'obtenir un remboursement complet.

## 2. Utilisation appropriée

Une utilisation appropriée implique, sans s'y limiter, la consultation de l'intégralité du manuel d'utilisation du produit et de toutes les informations spécifiques relatives à la sécurité. Le caractère ou la taille/le poids spécifiques de votre animal ne sont peut-être pas adaptés à ce produit. Si vous n'êtes pas sûr(e) que ce produit est adapté à votre animal de compagnie, veuillez consulter votre vétérinaire ou un dresseur certifié avant emploi. Pour les produits utilisés sur des animaux nécessitant un dressage, Radio Systems Corporation recommande de ne pas les utiliser si votre animal est agressif et ne saurait être tenu pour responsable de leur éventuelle inadéquation selon les cas.

## 3. Pas d'utilisation illégale ou interdite

Ce produit a été exclusivement conçu pour être utilisé avec des animaux de compagnie. Ce produit n'est pas destiné à blesser ni à provoquer les animaux. L'usage de ce produit d'une manière non prévue pourrait entraîner des infractions aux lois fédérales, locales ou de l'État.

## 4. Limitation de responsabilité

Radio Systems Corporation et ses sociétés affiliées ne peuvent en aucun cas être tenus pour responsables (i) des dommages directs, indirects, punitifs, accidentels, spéciaux ou secondaires, ni (ii) des pertes ou dommages consécutifs ou associés à l'utilisation ou à l'utilisation inappropriée de ce produit. L'acheteur assume tous les risques et responsabilités en rapport avec l'utilisation de ce Produit, dans la pleine mesure prévue par la loi.

## 5. Modification des conditions générales

Radio Systems Corporation se réserve le droit de modifier ponctuellement les conditions générales et avis relatifs à ce produit. Si de telles modifications vous ont été communiquées avant que vous n'utilisiez ce produit, elles seront considérées comme juridiquement contraignantes et faisant partie du présent document.

# Service à la clientèle international

États-Unis et Canada - Tél : 800-732-2677

Du lundi au vendredi de 8h00 à 20h00 / Samedi de 9h00 à 17h00

Royaume-Uni - Tél : 0800 046 1414

Du lundi au vendredi de 8h30 à 17h00

Australie - Tél. : 1800 786 608

Du lundi au vendredi de 8h30 à 17h00

Nouvelle Zélande - Tél. : 0800 543 054

Du lundi au vendredi de 10h30 à 19h00

# Garantie

## Trois ans de garantie limitée non transférable

Ce produit bénéficie d'une garantie limitée du fabricant. L'ensemble des informations concernant la garantie applicable à ce produit ainsi que ses conditions peuvent être consultées sur le site [www.petsafe.com](http://www.petsafe.com) et/ou vous être communiquées si vous contactez votre Service clientèle local.

## Europe


Radio Systems PetSafe Europe Ltd.

2nd Floor, Elgee Building, Market Squar

Dundalk, Co. Louth, A91 YR9X Ireland

## INFORMACIÓN DE SEGURIDAD IMPORTANTE

Explicación de las palabras de atención y símbolos utilizados en este manual

 Este es el símbolo de alerta de seguridad. Sirve para alertarle de posibles riesgos personales. Obedezca todos los mensajes de seguridad a continuación de este símbolo para no sufrir lesiones físicas o fatales.

**⚠ ADVERTENCIA** **ADVERTENCIA** indica una situación peligrosa que, de no evitarse, podría producir lesiones graves o fatales.

**⚠ ATENCIÓN** **ATENCIÓN**, utilizada con el símbolo de alerta de seguridad, indica una situación peligrosa que, si no se evita, podría resultar en lesiones de poca gravedad o moderadas.

**AVISO** **AVISO** se utiliza para tratar prácticas de uso seguro no relacionadas con lesiones físicas.

### **⚠ ADVERTENCIA**

- Cuando hay niños en la vivienda es importante tener en cuenta la puerta para mascotas para la seguridad de los niños. Un niño puede hacer uso indebido de la puerta para mascotas y encontrar posibles peligros del otro lado de la puerta para mascotas. Los compradores o propietarios de viviendas con piscinas deben asegurarse de que la puerta para mascotas esté controlada en todo momento y que la piscina tenga barreras de acceso adecuadas. Si surge un nuevo peligro dentro o fuera de su hogar, al que puede accederse por la puerta para mascotas, Radio Systems Corporation recomienda que proteja de forma adecuada el acceso al peligro o retire la puerta para mascotas. La placa de cierre o bloqueo, si corresponde, se suministra por estética y eficacia energética y no está concebida como dispositivo de seguridad. Radio Systems Corporation no se hará responsable del uso no previsto de la puerta para mascotas y el comprador de este producto acepta toda la responsabilidad por supervisar la abertura que crea.
- Herramientas eléctricas. Riesgo de lesiones graves; siga todas las instrucciones de seguridad de las herramientas eléctricas. Siempre asegúrese de usar sus gafas de seguridad.

### **⚠ ATENCIÓN**

- Antes de la instalación, el usuario debe familiarizarse con todos los códigos de construcción que puedan afectar la instalación de la puerta para mascotas y determinar, junto con un instalador profesional, su conveniencia en una instalación dada. Esta puerta para mascotas no es una puerta para incendios. Es importante que el propietario y el instalador tengan en cuenta los riesgos que pueden existir de uno y otro lado de la puerta para mascotas, todos los riesgos que puedan crear cambios posteriores en su vivienda y cómo pueden estar relacionados con su existencia y uso, incluido el uso indebido de la puerta para mascotas.
- Asegúrese de tener tijeras reforzadas para cortar las cubiertas principales.

### **AVISO**

- Conserve estas instrucciones con sus documentos importantes; asegúrese de entregar estas instrucciones al nuevo propietario de la vivienda.

Le agradecemos por elegir la marca PetSafe®. Usted y su mascota se merecen disfrutar de una relación repleta de momentos memorables y comprensión mutua. Nuestros productos y herramientas de adiestramiento mejoran la relación entre las mascotas y sus propietarios. Si tiene alguna pregunta sobre nuestros productos o el adiestramiento de su mascota, visite nuestro sitio web en [www.petsafe.com](http://www.petsafe.com).

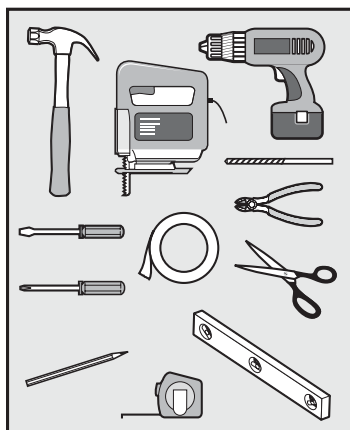
Para aprovechar al máximo la protección de la garantía, registre su producto dentro de los 30 días posteriores a la compra en [www.petsafe.com](http://www.petsafe.com). Al registrar su producto y guardar el comprobante de compra, podrá disfrutar de la garantía completa del mismo y, si necesita llamar al Centro de atención al cliente, le podremos atender con mayor rapidez. Y, lo que es más importante, PetSafe® nunca entregará o venderá su información valiosa a nadie. La información completa de la garantía está disponible por Internet en [www.petsafe.com](http://www.petsafe.com).

---

## Índice

Componentes.....	21
Definiciones.....	21
<b>Instalación de la puerta para mascotas</b>	
Determinación de la ubicación de la puerta para mascotas .....	22
Preparación de la puerta .....	22
Corte de la abertura de la puerta para mascotas.....	23
Colocación de las cubiertas de plástico principales .....	23
Instalación de la puerta para mascotas.....	24
Adiestramiento de su mascota.....	24
Batientes de repuesto .....	25
Repuestos y accesorios .....	25
Términos de uso y limitación de responsabilidad .....	25
Centro internacional de atención al cliente .....	26
Garantía.....	26

# Componentes



## Herramientas necesarias

- Martillo
- Sierra caladora
- Taladro
- Broca para taladro de 0,95 cm (3/8")
- Pinzas cortacable
- Desarmadores planos y de cruz
- Cinta para cubrir o de pintor
- Tijeras
- Lápiz
- Cinta métrica
- Nivel
- Equipo de seguridad

### Opcional

- Cinta adhesiva plateada
- Masilla

**NOTA:** La puerta de plástico para mascotas PetSafe® se puede instalar en la mayoría de las puertas y paredes. Podrían necesitarse herramientas y materiales adicionales, como marcos de madera.

## Definiciones

**Tamaño externo del marco:** Dimensiones totales de la puerta para mascotas

**Tamaño de la abertura:** Tamaño del corte de la abertura en la puerta de la vivienda para encajar correctamente e instalar la puerta para mascotas.

**Tamaño del batiente de repuesto:** Tamaño total del batiente fuera de la puerta para mascotas. Cuando se producen cambios extremos en condiciones climáticas, los batientes vinilo pueden contraerse en los meses fríos y estirarse en los meses más cálidos.

**Tamaño de la abertura del batiente:** Tamaño real del batiente para la entrada y salida de la mascota por la puerta para mascotas

**Marco interno:** Marco de la puerta para mascotas del lado de la vivienda

**Marco exterior:** Marco de la puerta para mascotas del lado exterior de la vivienda

**Placa de cierre a presión:** Tapa que se cierra a presión en el marco de la puerta para mascotas para cerrar la abertura de la puerta para mascotas

# Instalación de la puerta para mascotas

**NOTA:** Si desea pintar la puerta para mascotas, recomendamos que lo haga antes de instalarla. Para obtener el mejor resultado, utilice un imprimador para material plástico antes de aplicar la pintura.

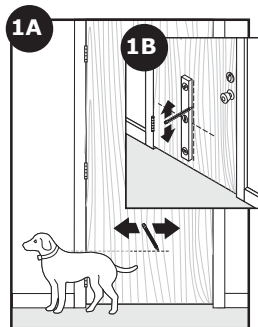
## Paso 1

### Determinación de la ubicación de la puerta para mascotas

**1A.** Mida y marque en la puerta la altura de la mascota en los omóplatos.

**1B.** Determine la ubicación de la puerta para mascotas. Utilice un nivel para trazar una línea vertical centrada en la línea de la altura de los omóplatos.

**NOTA:** Si la puerta u otra aplicación del propietario no está nivelada, deberá marcar la puerta para mascotas a nivel para que oscile correctamente.



## Paso 2

### Preparación de la puerta

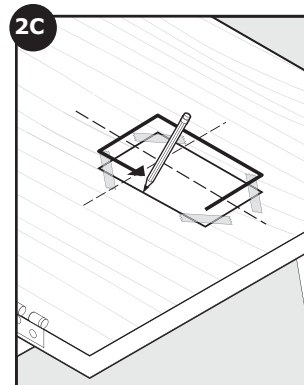
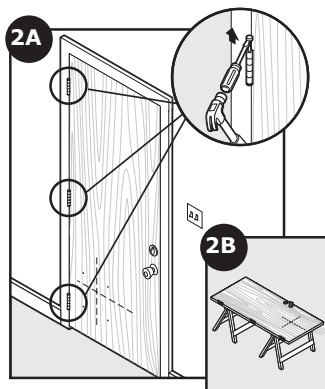
**2A.** Retire la puerta de las bisagras.

**2B.** Colóquela en una superficie elevada, como por ejemplo, sobre caballetes.

**Consejo útil:** Sujete la puerta con abrazaderas o pesos para inmovilizarla.

**NOTA:** Si usted es muy hábil, podrá instalar la puerta para mascotas con la puerta en posición vertical.

**2C.** Recorte según el tamaño correcto de la plantilla. Haga coincidir las líneas marcadas en la puerta con las líneas de los omóplatos y central en la plantilla. Inmovilice la plantilla con cinta y calque la plantilla con cuidado. Asegúrese de calcar la plantilla por debajo de la cinta y una los ángulos. A continuación, retire la plantilla y la cinta sobrante de la puerta.



#### AVISO

Cuando coloque la plantilla, debe dejar 8 cm (3"), como mínimo, entre la parte inferior y los lados de la puerta y el borde exterior de la plantilla para mantener la integridad estructural de la puerta.

## Paso 3

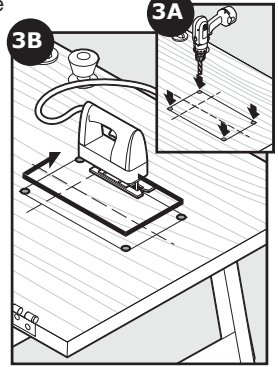
### Corte de la abertura de la puerta para mascotas

- 3A.** Realice perforaciones de 0,95 cm ( $\frac{3}{8}$ " ) en los ángulos interiores de la plantilla calcada. Estas perforaciones serán los orificios de guía para la hoja de la sierra.

**Consejo útil:** Use ambas manos para mantener el taladro firme y en posición recta a 90°.

- 3B.** Empiece por uno de los orificios que acaba de taladrar y corte por las líneas calcadas de la plantilla. Después de cortar la abertura, quizá necesite rectificar el corte para que quede en escuadra. Esto es necesario para instalar correctamente el marco de la puerta para mascotas.

**Consejo útil:** Use una hoja de sierra apta para el material de la puerta (por ejemplo, una hoja para madera, si la puerta es de madera y una hoja para metal, si la puerta es metálica). Cuando corte, use ambas manos para mantener la sierra firme, estable y en posición recta a 90°. Así la hoja cortará de idéntica manera los lados interno y externo de la puerta.



#### AVISO

No debe haber nada en el otro lado de la puerta donde perforará los orificios o cortará la abertura.

## Paso 4

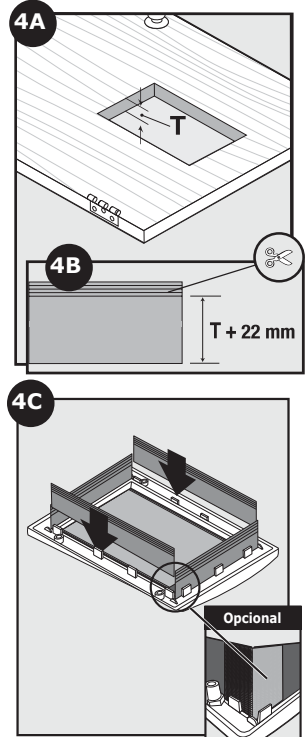
### Colocación de las cubiertas de plástico principales

- 4A.** Mida el grosor (T) de la puerta. Anote esta medida.

- 4B.** Corte el lado con estrías de las cubiertas de plástico principales según el grosor (T) de la puerta y súmele 2,22 cm ( $\frac{7}{8}$ " ).

- 4C.** Coloque las cubiertas principales laterales con una varilla (borde sin cortar) orientada hacia dentro e introdúzcalas a presión en las lengüetas del marco interno (marco con el batiente). Es posible que también deba recortar las cubiertas principales para que se unan en los ángulos.

**Opcional:** Utilice cinta adhesiva plateada en los ángulos de las cubiertas principales para inmovilizarlas y mejorar la resistencia a las condiciones climáticas. Recorte el sobrante de cinta.



## Paso 5

# Instalación de la puerta para mascotas

Instalar



### Verificar

Antes de guardar la sierra caladora, coloque el marco interno (marco con el batiente) dentro del orificio recortado y verifíquelo. A continuación, coloque el marco exterior por el envés de la puerta para verificar su ajuste. Si los marcos no encajan en la abertura, quizá necesite rectificar la escuadra de la abertura antes de continuar con la instalación.

**Consejo útil:** Coloque cinta en el batiente para mantenerlo apartado durante la instalación.

**5A.** Coloque el marco interno (marco con el batiente) en la abertura. A continuación, coloque el marco exterior en la abertura por el envés de la puerta y alinee las cubiertas principales con las lengüetas del marco. Sujete el marco con una mano.

**5B.** Introduzca los tornillos de nylon por los orificios en el marco y luego enrosque las tuercas hexagonales por los extremos de cada tornillo. Mientras sujeta los marcos, apriete los tornillos hasta que los marcos queden unidos.

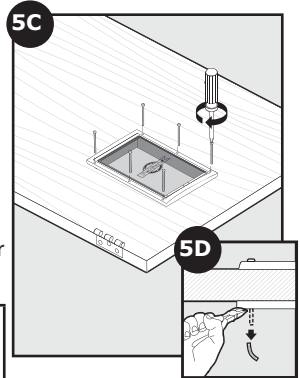
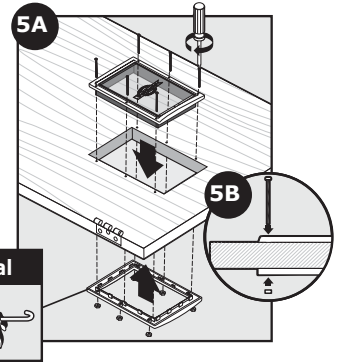
**Opcional:** Coloque sellador alrededor del marco exterior (marco sin el batiente) y en el lugar donde se unen las cubiertas principales para brindar a la instalación resistencia a las condiciones climáticas.

**5C.** Utilice un desarmador para apretar uniformemente los tornillos en el marco mientras mantiene las cubiertas principales inmovilizadas. Tal vez deba ajustar los tornillos para asegurarse de que la puerta para mascotas se ajusta correctamente.

**5D.** Recorte el sobrante de la longitud de los tornillos con la pinza cortable. Sujete la pinza a ras del marco para realizar un corte prolijo y a nivel.

### AVISO

Utilice un desarmador manual para apretar los tornillos. No apriete excesivamente. Si lo hace, podría dañar la rosca de los tornillos o arquear el marco de la puerta para mascotas.

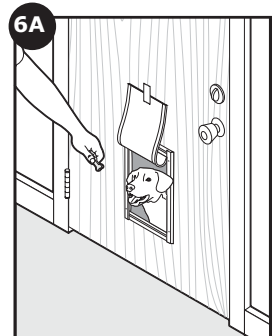


## Paso 6

# Adiestramiento de su mascota

**6A.** Vuelva a colocar la puerta y comience a adiestrar a la mascota. Coloque cinta para mantener el batiente abierto para que su mascota se familiarice con la abertura.

**Consejo útil:** Utilice premios para animar a la mascota a pasar por la puerta y a sentirse cómoda con ella.

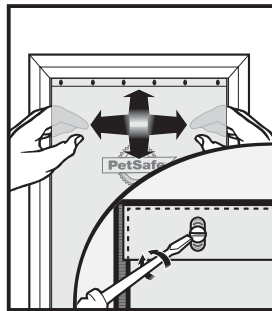
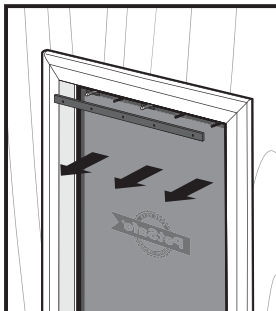
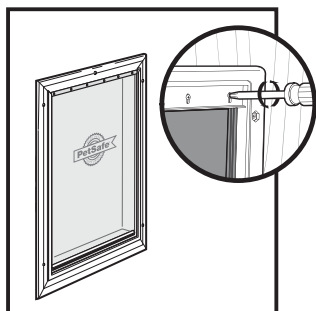




# Batientes de repuesto

## Reemplazo y ajuste

Cuando se producen cambios extremos en condiciones climáticas, los batientes de vinilo pueden contraerse en los meses fríos y estirarse en los meses más cálidos. Reemplácelos o ajústelos con facilidad para asegurarse su ajuste perfecto pese a los cambios de temporada.



**Para volver a colocarlos:** Quite los tornillos del marco interno de la puerta para mascotas.

Retire la varilla y el batiente.

Coloque un nuevo batiente de vinilo y ubíquelo en las posiciones horizontal y vertical correctas del marco de la puerta. Reemplace la varilla existente y apriete los tornillos.

**Para ajustar:** Afloje ligeramente los tornillos del marco interno de la puerta para mascotas.

Mueva ligeramente la varilla para separarla del batiente.

Ajuste el batiente en las posiciones horizontal y vertical del marco de la puerta. Lleve la varilla hacia el batiente y apriete los tornillos.

## Repuestos y accesorios

Para comprar repuestos para la puerta de plástico para mascotas PetSafe®, póngase en contacto con el Centro de atención al cliente o visite nuestro sitio web para encontrar una tienda minorista próxima a usted. Para obtener un listado de los números de teléfono de los centros de atención al cliente de su zona visite nuestro sitio web en [www.petsafe.com](http://www.petsafe.com).

La Puerta de plástico para mascotas	Número de pieza de repuesto
Batiente pequeño de repuesto	PAC11-11037
Batiente mediano de repuesto	PAC11-11038
Batiente grande de repuesto	PAC11-11039
Batiente extra grande de repuesto	PAC11-11040

# Términos de uso y limitación de responsabilidad

## 1. Términos de uso

Este producto se le ofrece a condición de que acepte, sin modificaciones, los términos, las condiciones y los avisos aquí incluidos. El uso de este Producto significa la aceptación de la totalidad de tales términos, condiciones y avisos.

## 2. Uso correcto

Este Producto está diseñado para ser utilizado con el fin de adiestrar mascotas. El temperamento específico de su mascota podría no ser compatible con este Producto. Si no sabe si este Producto es adecuado para su mascota, consulte a su veterinario o a un adiestrador certificado. El uso apropiado incluye la lectura de todo el Manual de funcionamiento que se entrega con el Producto y todas las indicaciones de Atención.

## 3. Usos ilegales o prohibidos

Este Producto está diseñado para usarlo solo con mascotas. Este dispositivo de adiestramiento de mascotas no tiene como propósito herir, lesionar o provocar. El uso de este Producto en una forma que no sea la prevista podría resultar en incumplimiento de las leyes federales, estatales o locales.

## 4. Limitación de responsabilidad

En ningún caso, Radio Systems Corporation será responsable por los daños directos, indirectos, punitivos, secundarios, especiales o derivados, o por los daños que podrían surgir o estar relacionados con el uso debido o indebido de este Producto. El Comprador asume todos los riesgos y responsabilidades por el uso de este Producto.

## 5. Modificación de las condiciones generales

Radio Systems Corporation se reserva el derecho a modificar los términos, las condiciones y los avisos según los cuales se ofrece este Producto.

# Centro internacional de atención al cliente

Estados Unidos y Canadá - Tel.: 800-732-2677

Lunes a viernes, 8 a. m. a 8 p. m. / Sábado, 9 a. m. a 5 p. m.

Reino Unido - Tel.: 0800 046 1414

Lunes a viernes, 8:30 a. m. a 5 p. m.

Australia - Tel.: 1800 786 608

Lunes a viernes, 8:30 a. m. a 5 p. m.

Nueva Zelanda - Tel.: 0800 543 054

Lunes a viernes, 10:30 a. m. a 7 p. m.

# Garantía

## Garantía limitada no transferible de tres años

El fabricante de este producto ofrece una garantía limitada. Puede encontrar los detalles de la garantía aplicable a este producto, así como sus términos, en [www.petsafe.com](http://www.petsafe.com) y también estarán disponibles poniéndose en contacto con el Centro de atención al cliente local.

### Europe

Radio Systems PetSafe Europe Ltd.

2nd Floor, Elgee Building, Market Squar

Dundalk, Co. Louth, A91 YR9X Ireland