

*** READ & SAVE THESE INSTRUCTIONS ***

INSTALLATION & OPERATION INSTRUCTIONS

(1) TOOLS AND MATERIALS REQUIRED

- ❖ BLADE & STAR SCREW DRIVER
- ❖ ADJUSTABLE WRENCH
- ❖ STEP LADDER
- ❖ WIRE CUTTERS
- ❖ WIRING SUPPLIES AS REQUIRED BY ELECTRICAL CODE
- ❖ 2 X A-19/60W

Attention:

Before assembling your lighting fixture, please read the instructions. If you feel you do not have sufficient electrical experience, refer to a do-it-yourself wiring handbook or have your fixture installed by a qualified licensed electrician.

(2) GENERAL

1. To ensure the success of the installation, be sure to read these instructions and review the diagrams thoroughly before beginning.
2. All electrical connections must be in accordance with local codes, ordinances, or the National Electrical Code. If you are unfamiliar with methods of installing electrical wiring, secure the services of a qualified licensed electrician.
3. These fixtures are intended for mounting to a standard 4" x 2 1/4" deep metal octagon J-box. The box must be directly supported by the building structure and U.L. recognized.
4. Before commencing with the installation, disconnect the power by turning off the circuit breaker or by removing the fuse at the fuse box. Turning the power off using the light switch is not sufficient to prevent electrical shock.

NOTE:

The important safeguards and instructions appearing in this manual are not meant to cover all possible conditions and situations that may occur. It must be understood that common sense, caution and care are factors that cannot be built into any product. These factors must be supplied by the person(s) caring for and operating the fixture.

(3) UNPACK THE FIXTURE

CHECK THE CONTENTS OF THE BOX. YOU SHOULD RECEIVE:

- ❖ MOUNTING HARDWARE PACKAGE
- ❖ FIXTURE
- ❖ SHADE

(4) PREPARING THE FIXTURE

Insure that the circuit breaker is turned off.

Refer to figure 1 for illustration of fixture parts and assembly.

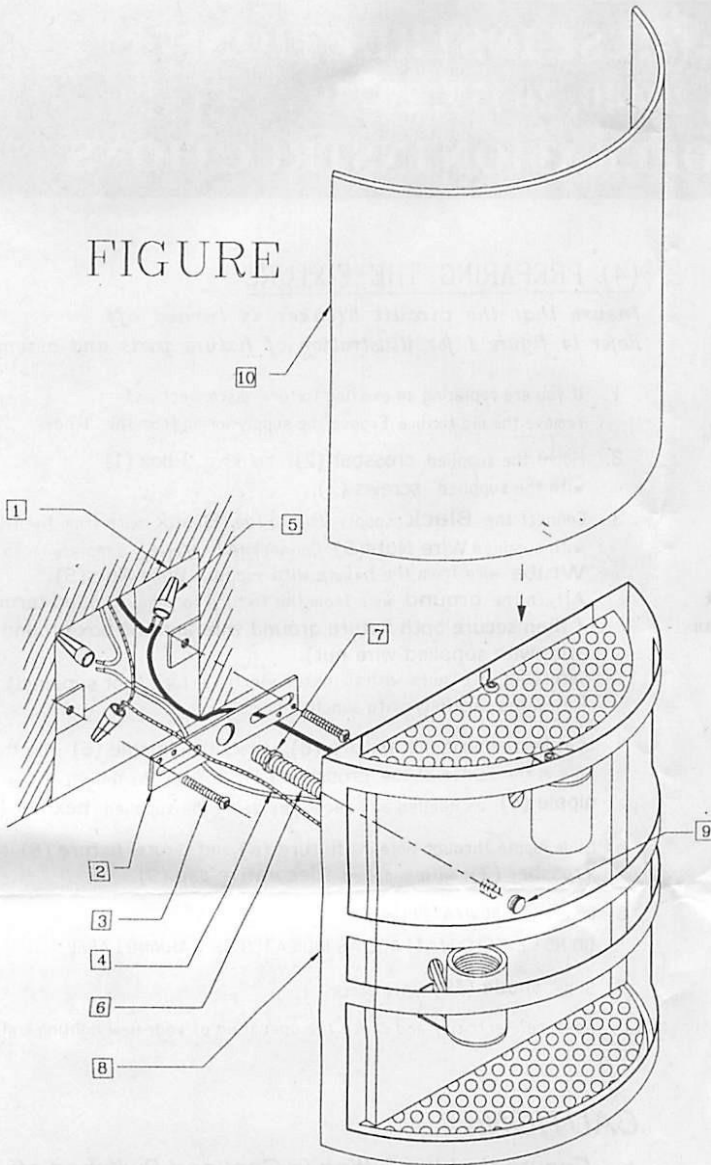
1. If you are replacing an existing fixture, disconnect and remove the old fixture. Expose the supply wiring from the J-box.
2. Mount the supplied crossbar (2) to the J-box (1) with the supplied screws (3).
3. Connect the **Black** supply wire to the **Black** wire from the fixture with supplied Wire Nuts(5). Connect the **White** supply wire to the **White** wire from the fixture with supplied Wire Nuts(5). Attach the **ground** wire from the fixture to J-box ground terminal (then secure both fixture ground wire and the box ground wire with supplied wire nut). Secure all wire nuts with UL listed electrical tape (not supplied) Tuck wires carefully into Junction box.
4. In order to mount the fixture (8), insert the nipple (6) into the hole in the center of the crossbar (2). Adjust the length of the nipple (6) as needed and secure by using the supplied hex nut (7).
5. Slide nipple through hole in fixture (8) and secure fixture (8) to crossbar (2) with supplied decorative cap (9).
6. Insert 2 x 60W/A-19 Lamps.
DO NOT EXCEED WATTAGE AS INDICATED ON WARNING LABEL.
7. Slide shade (10) into place.
8. Restore electricity and check the operation of your new lighting fixture.

CAUTION:

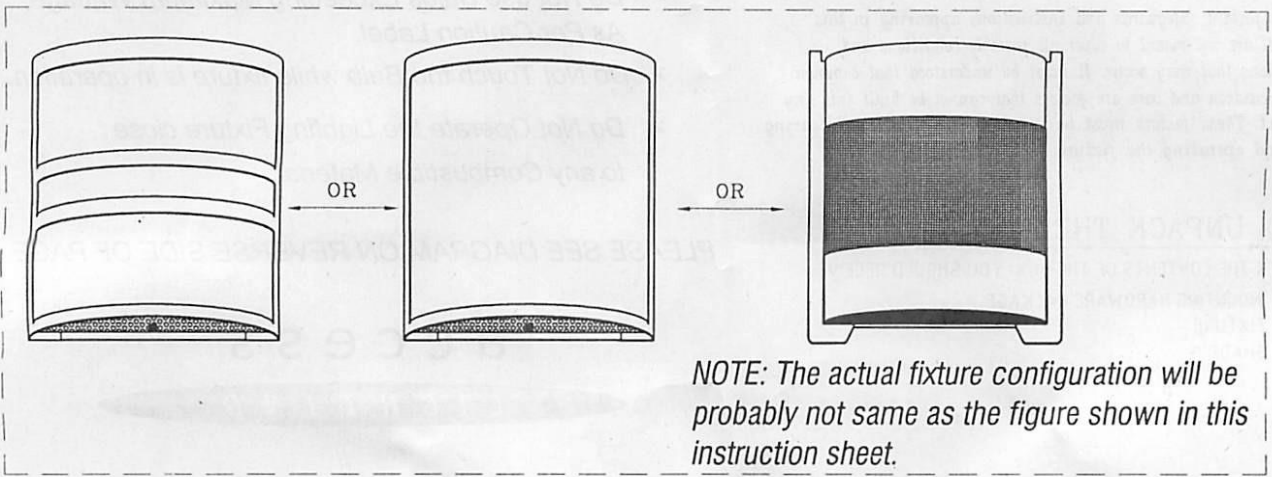
- Ensure that the Fitting is Cool and Switched off, Before Changing Bulbs.
- Do Not use Bulbs Exceeding Maximum Wattage, As Per Caution Label.
- Do Not Touch the Bulb while fixture is in operation.
- Do Not Operate the Lighting Fixture close to any Combustible Material.

PLEASE SEE DIAGRAM ON REVERSE SIDE OF PAGE

FIGURE



- 1 J-BOX IN THE BUILDING
- 2 CROSSBAR 1PC
- 3 SCREWS 2PCS
- 4 FIXTURE GROUND WIRE
- 5 WIRE NUTS 3PCS
- 6 NIPPLE 1PC
- 7 HEX NUT 1PC
- 8 FIXTURE
- 9 DECORATIVE CAP 1PC
- 10 SHADE



NOTE: The actual fixture configuration will be probably not same as the figure shown in this instruction sheet.