

ASSEMBLY INSTRUCTIONS



*Dining
bench*

ASSEMBLY INSTRUCTIONS

ASSEMBLY TIPS:

1. Remove hardware from box and sort by size.
2. Please check to see that all hardware and parts are present prior to start of assembly.
3. Please follow attached instructions in the same sequence as numbered to assure fast & easy assembly.



WARNING!

1. Don't attempt to repair or modify parts that are broken or defective. Please contact the store immediately.
2. This product is for home use only and not intended for commercial establishments.



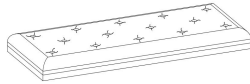
ASSEMBLY TIME

1 0 MINUTES

PARTS IDENTIFICATION

B1 (BOX 1)

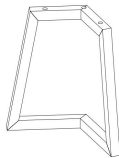
A SEAT CUSHION



1PC

B2 (BOX 2)

B LEG FRAME



2PCS

NOTE:

Quantities shown are for on chair

Phillips head screw driver is required in the assembly process; however, manufacturer does not provide this item.

ASSEMBLY INSTRUCTIONS

ASSEMBLY TIPS:


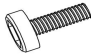

1. Remove hardware from box and sort by size.
2. Please check to see that all hardware and parts are present prior to start of assembly.
3. Please follow attached instructions in the same sequence as numbered to assure fast & easy assembly.



WARNING!

1. Don't attempt to repair or modify parts that are broken or defective. Please contact the store immediately.
2. This product is for home use only and not intended for commercial establishments.

HARDWARE IDENTIFICATION

1	ALLEN WRENCH 8mm		1PC
2	SHORT BOLT (M8*40mm)		6PCS
3	Flat washer (Dia10mm)		6PCS

NOTE:

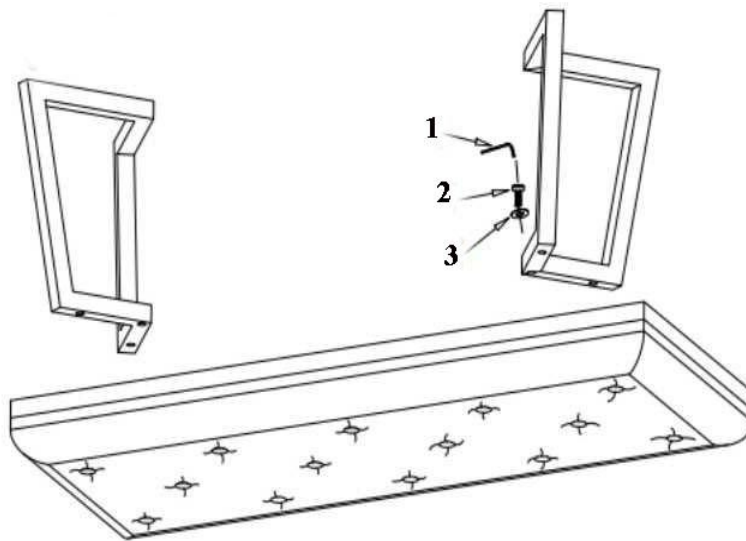
Quantities shown are for on chair

Phillips head screw driver is required in the assembly process; however, manufacturer does not provide this item.

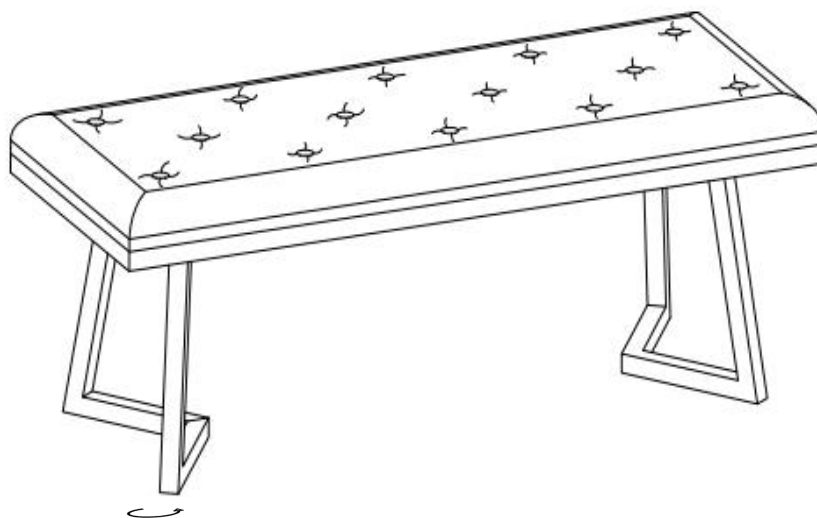
ASSEMBLY

INSTRUCTIONS

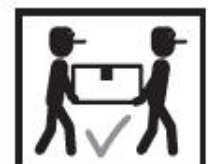
STEP 1

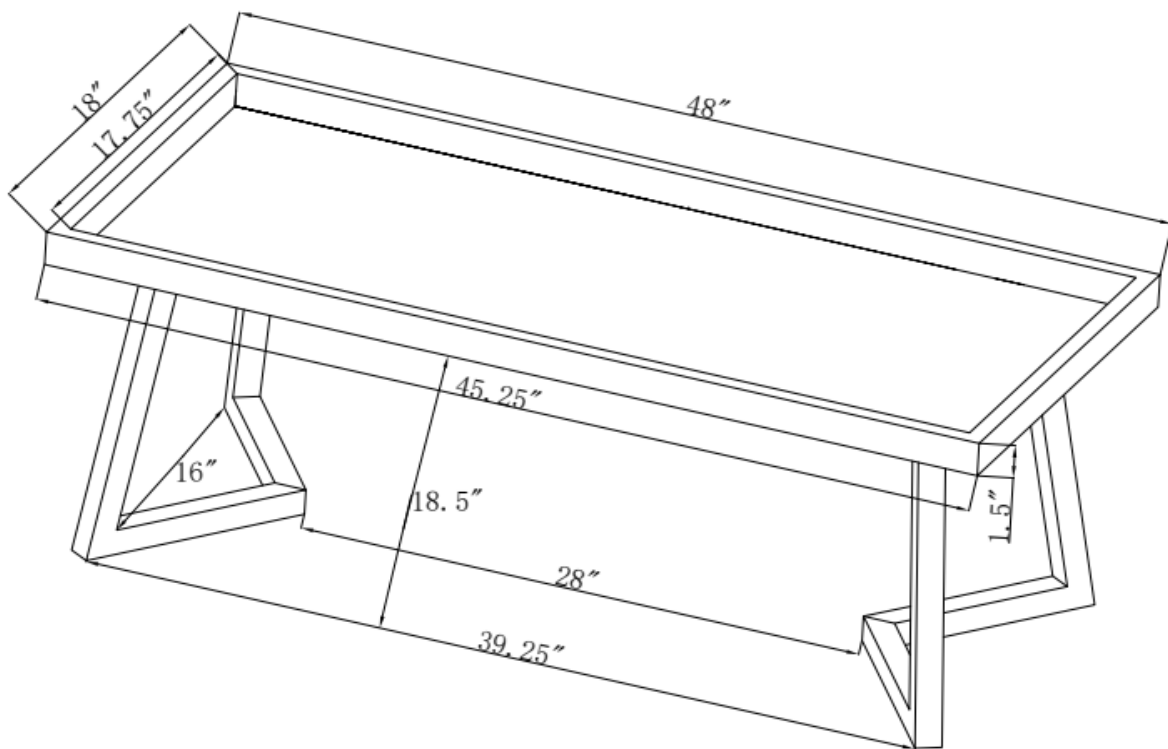


STEP 2



THE LONG BECHN FIXED ADJUST FEETS





Note : Dimension tolerance $\pm 5\%$