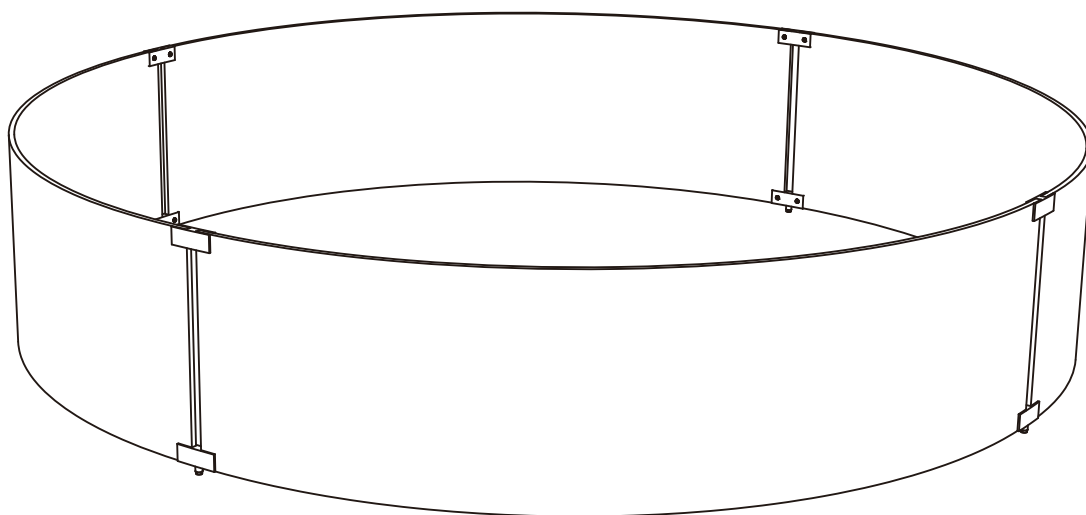


Fire Pit Wind Guard Glass

Assembly & Care instructions



Please read & retain for future reference


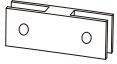
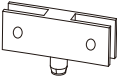


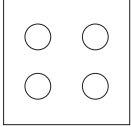
Catalog

Parts List 01

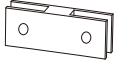
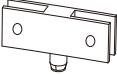

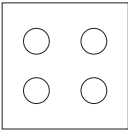
Extra 02

How To Assemble The Wind Guard Glass 03

PARTS LIST

Part	Description	Part Name	Qty
A		Glass	4PCS
B1		Top Connector	4PCS
B2		Bottom Connector	4PCS
C		M8x10	16PCS
D		Allen Wrench	1PC
E		Rubber Mat	1PC

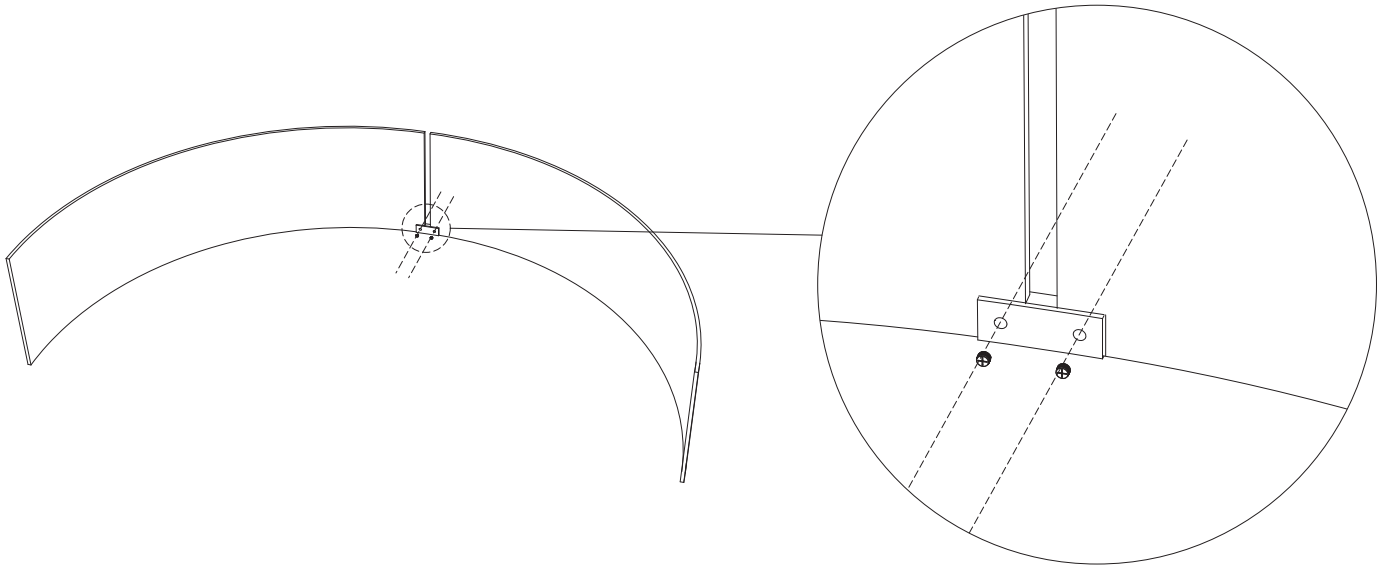
Extra


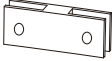

Part	Description	Part Name	Qty
B1		Top Connector	1PC
B2		Bottom Connector	1PC
C		M8x10	4PCS
E		Rubber Mat	1PC

WARNING: Failure to locate parts in accordance with these diagrams, or failure to use special parts provided with this equipment, may result in property damage or personal injury.

Step1:Insert the glass(A) into the top connector(B1) and screw the screws in until the glass is snapped.

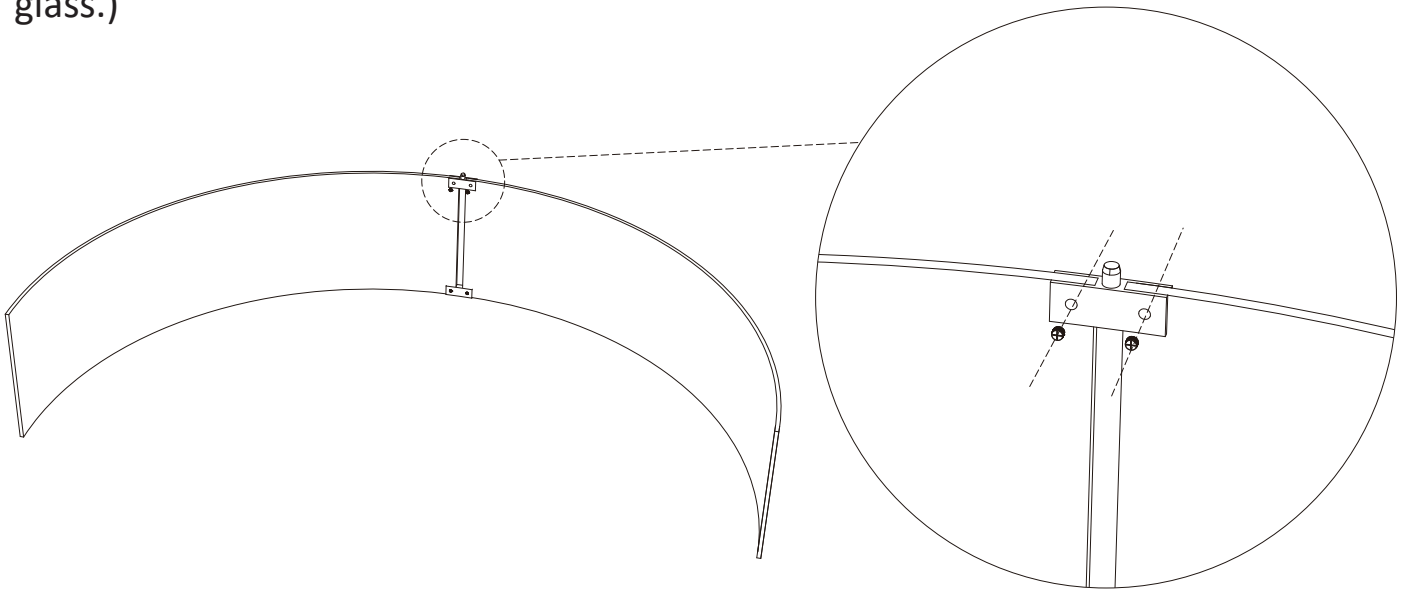
Note: Do not tighten the screws.(Make sure the connector doesn't fall off the glass.)



A		x2	B1		x1	C		x2
---	--	----	----	--	----	---	---	----

Step2:Insert the bottom connector(B2) between the two pieces of glass and lock the screws.

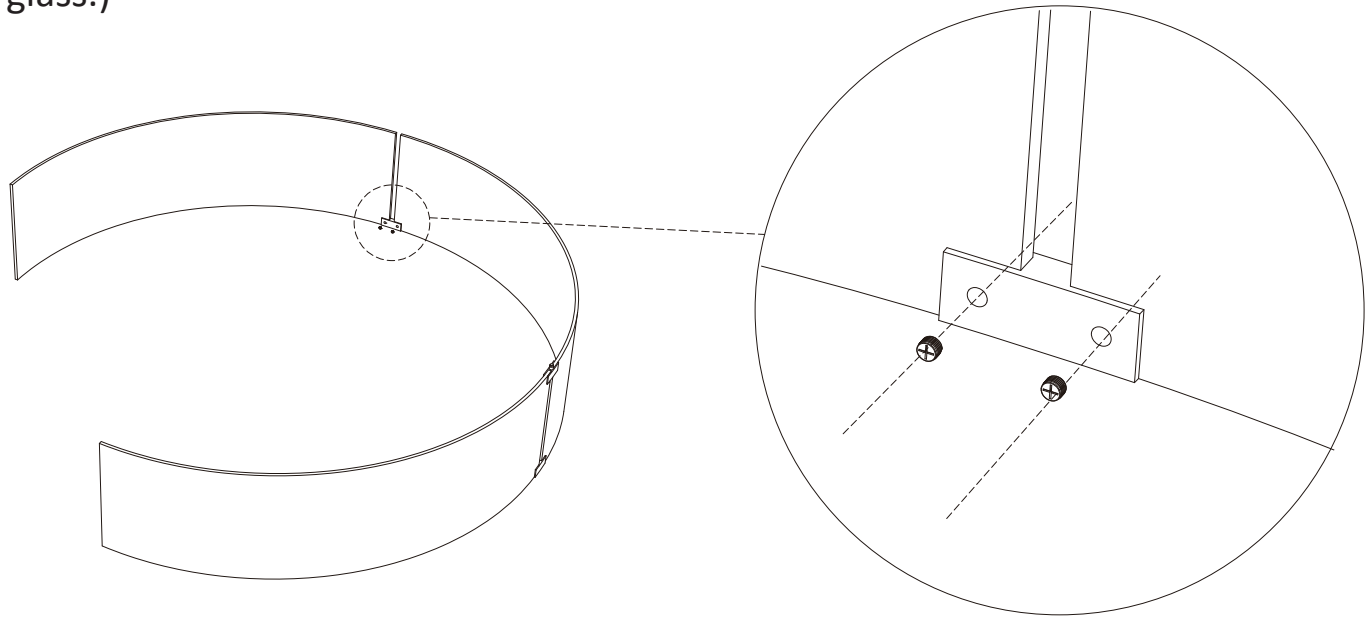
Note: Do not tighten the screws.(Make sure the connector doesn't fall off the glass.)


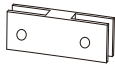



B2		x1	C		x2
----	---	----	---	---	----

Step3: Insert the glass(A) into the top connector(B1) and screw the screws in until the glass is snapped.

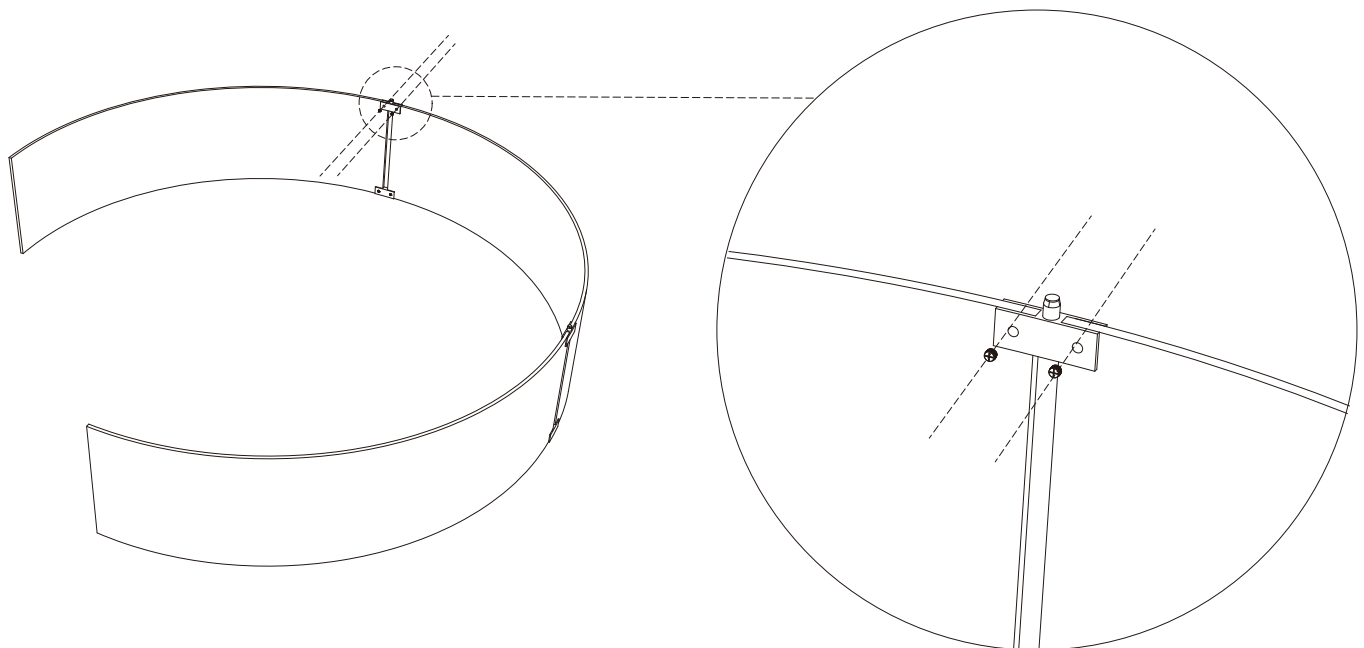
Note: Do not tighten the screws.(Make sure the connector doesn't fall off the glass.)



A		x1	B1		x1	C		x2
---	--	----	----	--	----	---	---	----

Step4: Insert the bottom connector(B2) between the two pieces of glass and lock the screws.

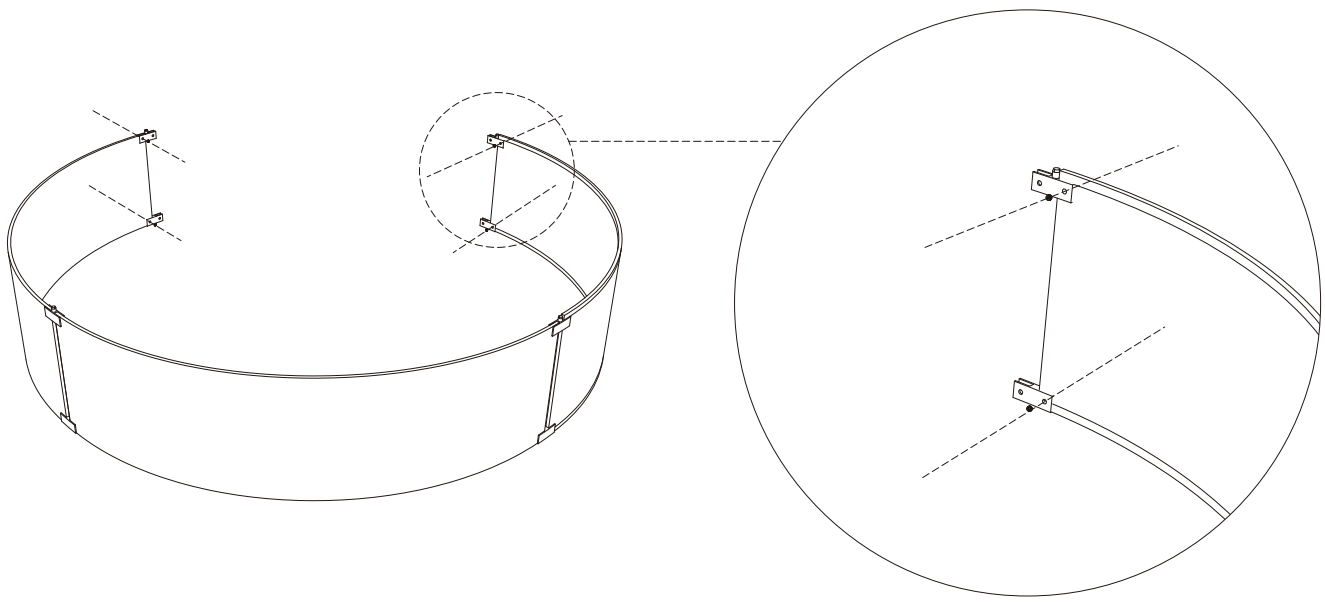
Note: Do not tighten the screws.(Make sure the connector doesn't fall off the glass.)



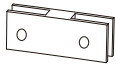
B2		x1	C		x2
----	---	----	---	---	----

Step5: Attach the top and bottom connectors to the two glass.

Note: Do not tighten the screws. (Make sure the connector doesn't fall off the glass.)

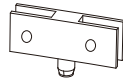


B1



x2

B2



x2

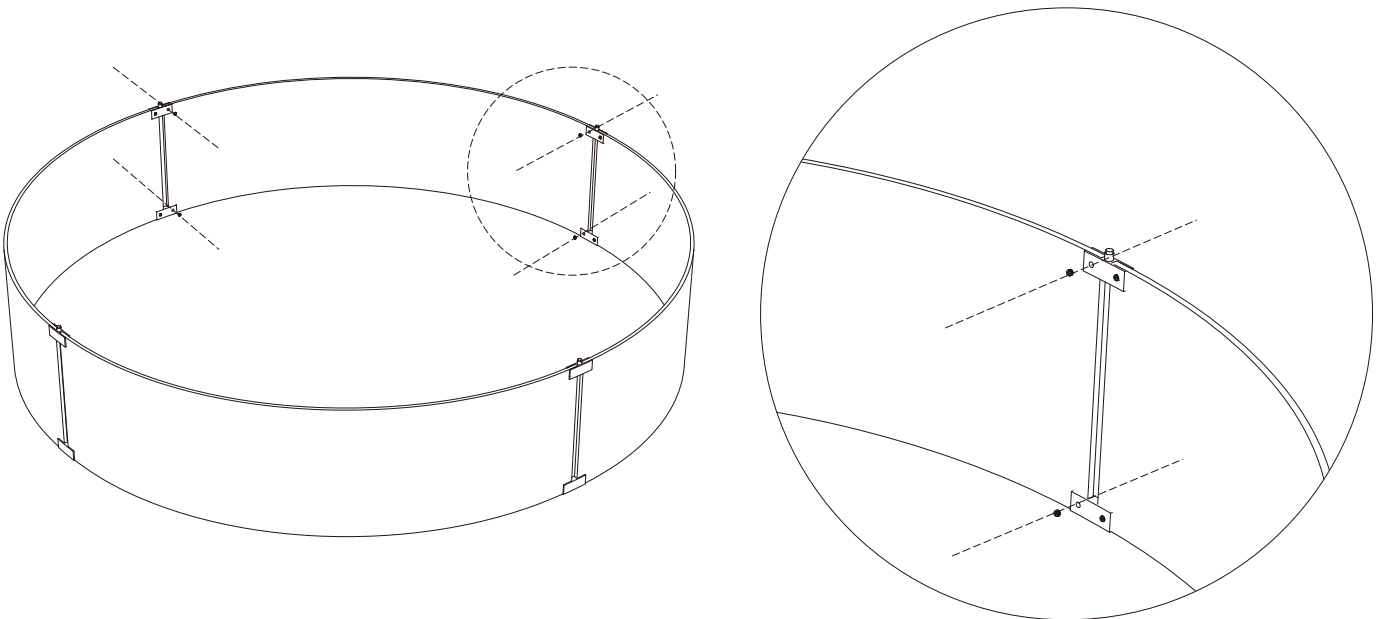
C



x4

Step6: Insert the glass(A) into the fixed connector and lock it with screws.

Note: Tighten the screws.



A



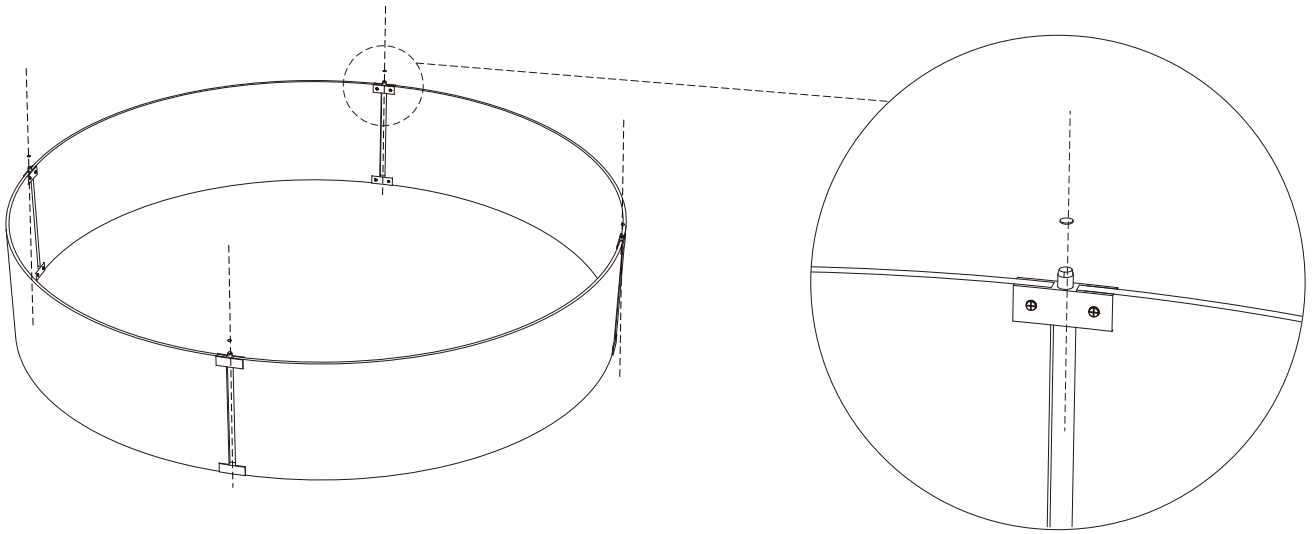
x1

C



x2

Step7:Attach the rubber mat(E) to the bottom connector.

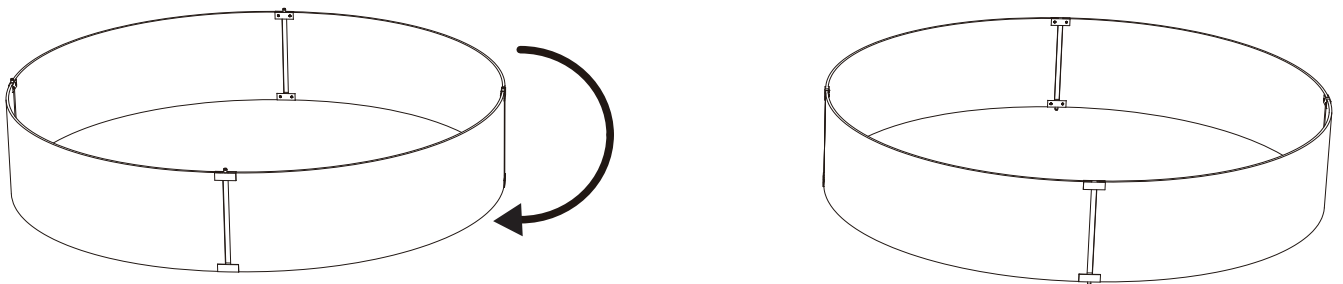


E



x1

Step8:Flip the glass cover over so that the connector with the foot pad is underneath.



Step9:Place the wind guard glass on the fire pit table.

