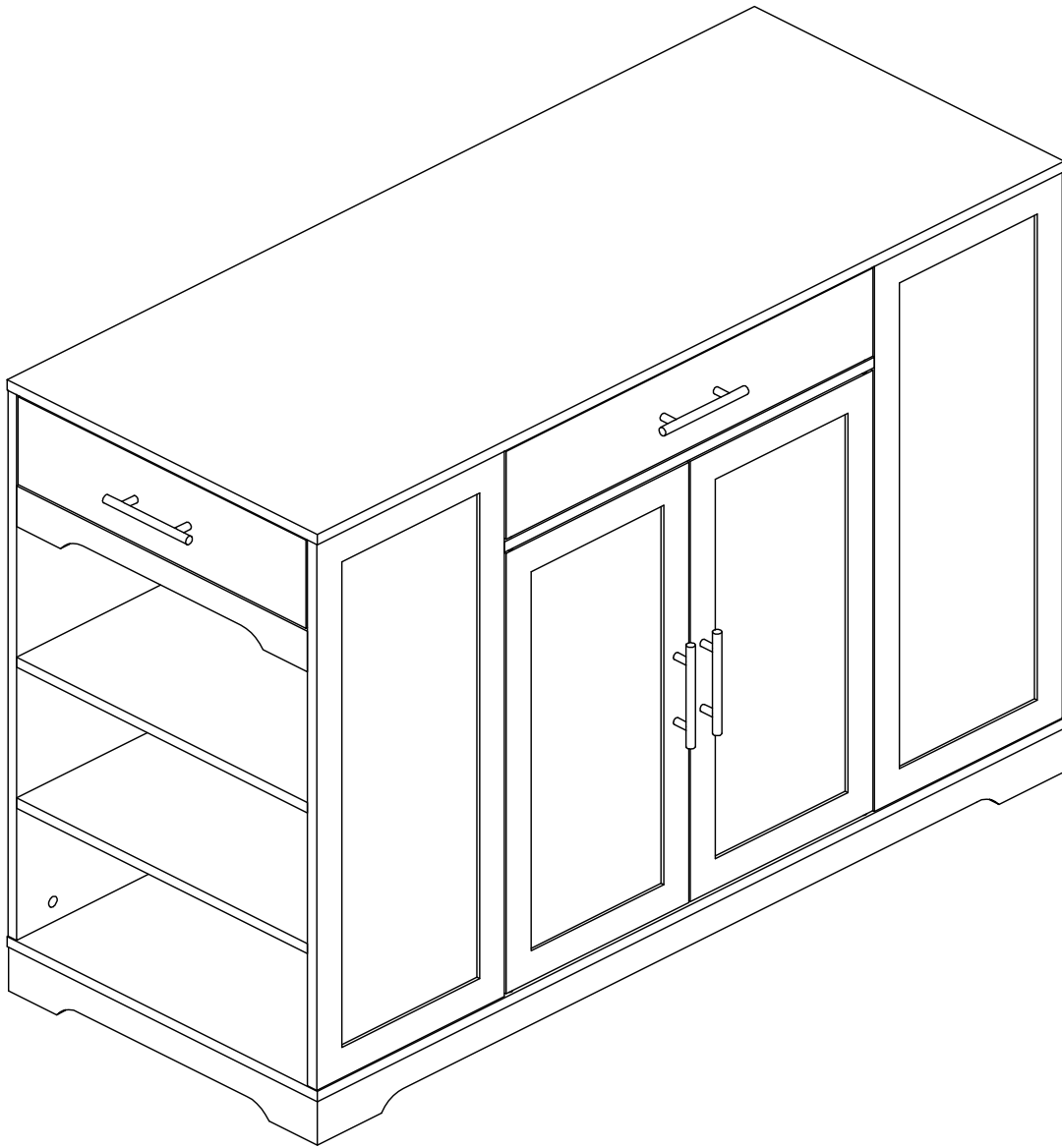


# ASSEMBLY INSTRUCTIONS

---

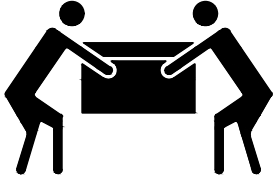
(



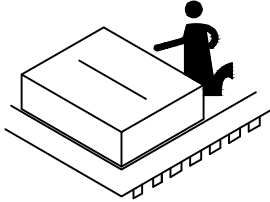
# ASSEMBLY INSTRUCTIONS

## Notice:

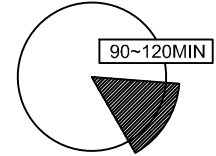
1. Follow the installation instructions. Please confirm all accessories are preset before installation.
2. Do not fully tighten the screws during initial assembly. Fully tighten screws only once all pieces which are correctly assembled.
3. If you encounter any problems during installation, please contact our customer service.
4. Please unbox the item from the side with an open-label and put a carpet on the floor to avoid scratching it.



Recommended installers:2



Put a carpet on the floor  
before unpacking



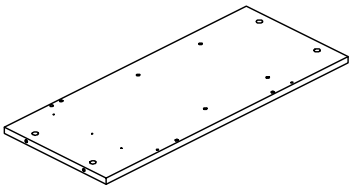
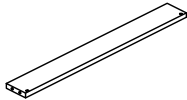
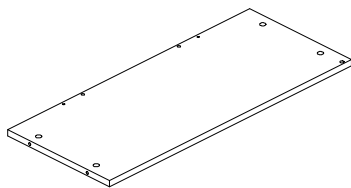

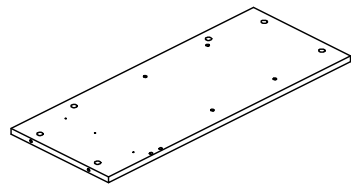
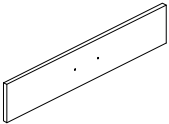
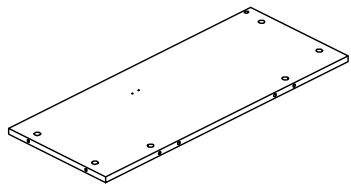
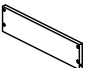
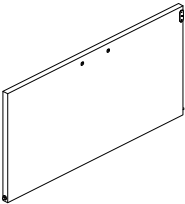

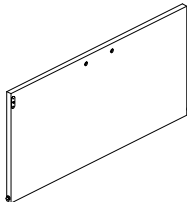
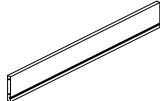
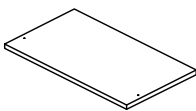
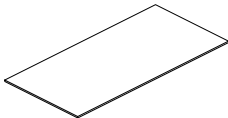
Estimate installation time:  
90~120minutes

## PART LIST (in Carton A)

Item no.	Reference Image	Qty	Item no.	Reference Image	Qty
(A)		X1	(F)		X2
(B)		X1	(G)		X2
(C)		X1	(H)		X1
(D)		X1	(AA)		X2
(E)		X1	(BB)		X2

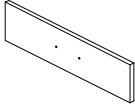

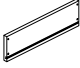
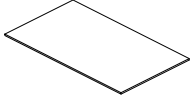
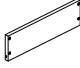
# ASSEMBLY INSTRUCTIONS

## PART LIST (in Carton B)

Item no.	Reference Image	Qty	Item no.	Reference Image	Qty
Ⓘ		X1	Ⓟ		X1
Ⓝ		X1	Ⓠ		X1
Ⓚ		X1	Ⓡ		X1
Ⓛ		X1	Ⓢ		X1
Ⓜ		X1	Ⓣ		X1
Ⓝ		X1	Ⓡ		X1
Ⓞ		X1	Ⓢ		X1


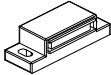

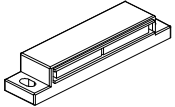

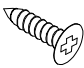
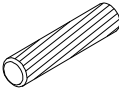
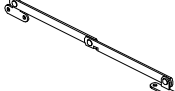
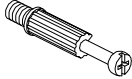




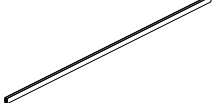
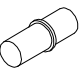
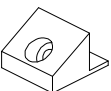
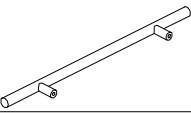
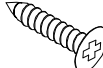
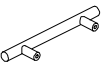
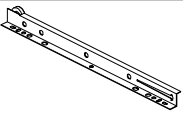

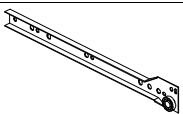
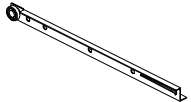


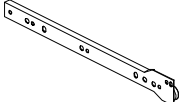
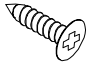
# ASSEMBLY INSTRUCTIONS

## PART LIST (in Carton B)

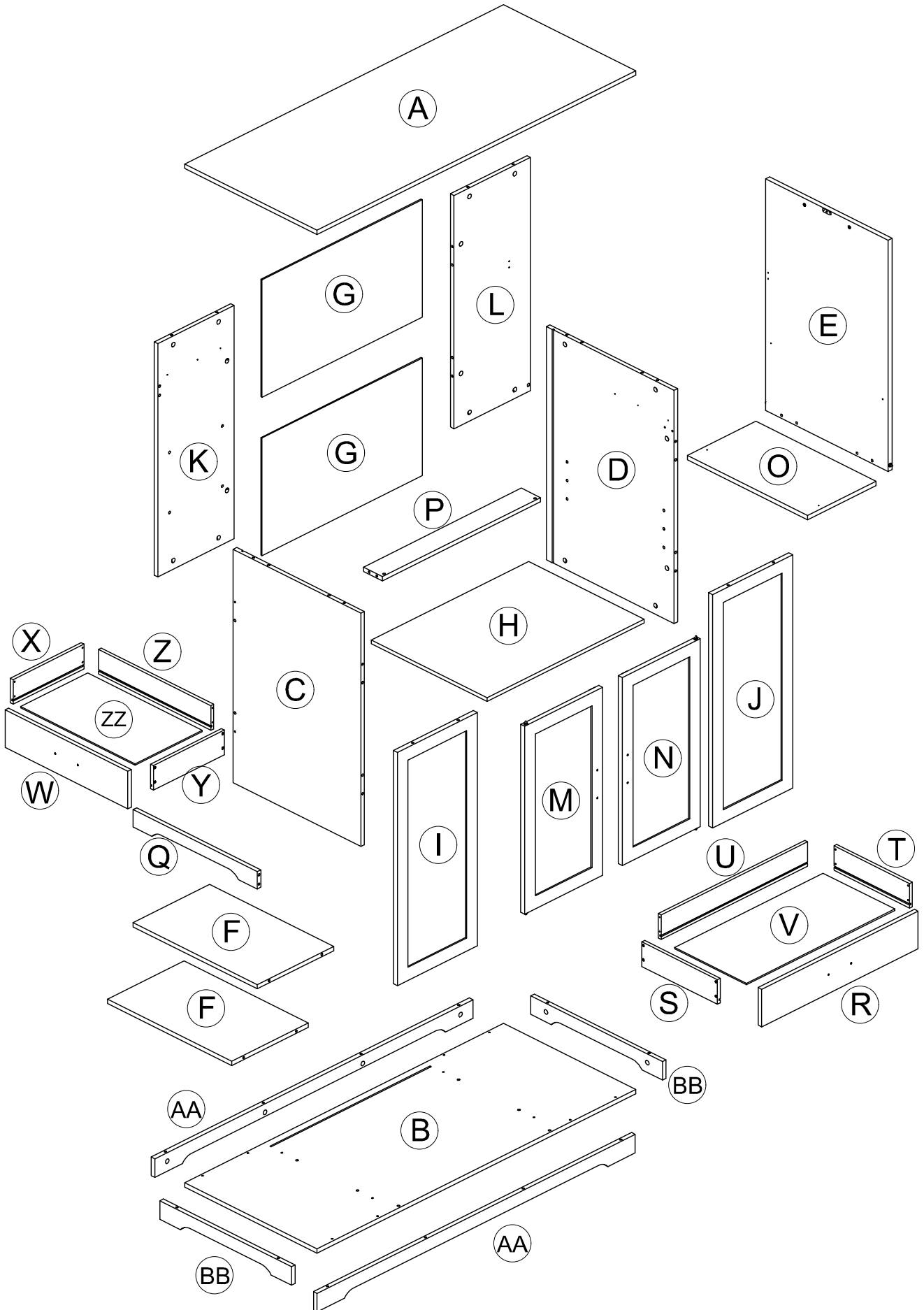
Item no.	Reference Image	Qty	Item no.	Reference Image	Qty
Ⓜ		X1	Ⓩ		X1
Ⓧ		X1	ⓏⓏ		X1
Ⓨ		X1			

# ASSEMBLY INSTRUCTIONS

## HARDWARE LIST (in Carton B)

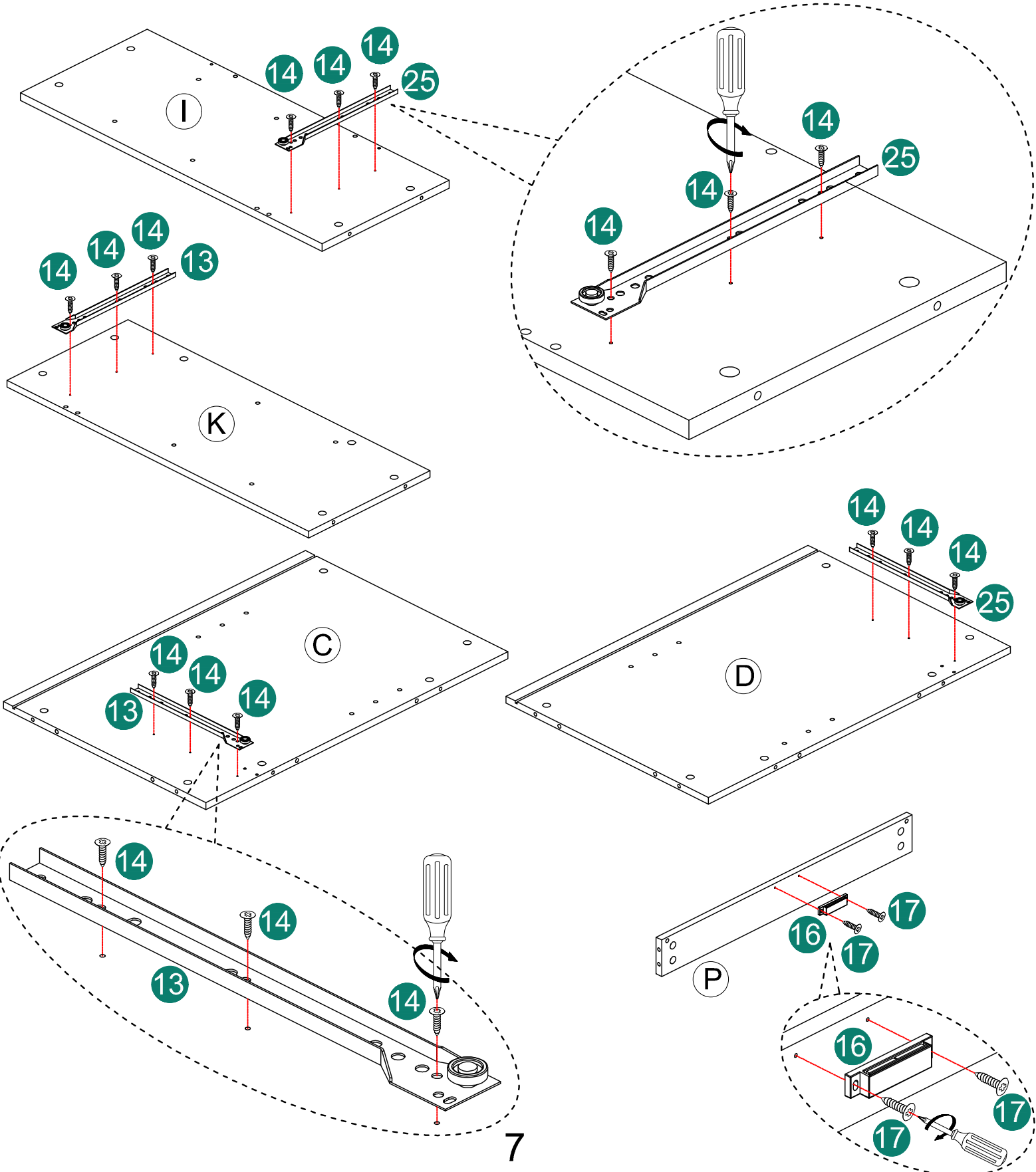
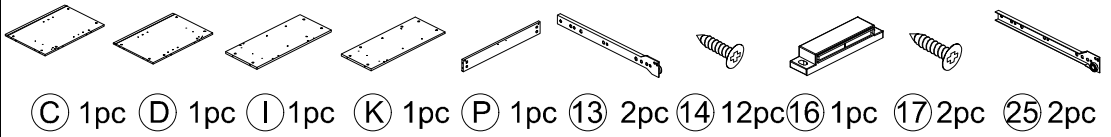
Item no.	Reference Image	Qty	Item no.	Reference Image	Qty
1		X2	15		X1
2		X3	16		X1
3	 Ø7xØ3.5x19 mm	X20+2	17	 Ø6xØ3x15 mm	X12+1
4		X20+2	18		X1
5		X60+6	19		X2
6	 Ø15x12 mm	X52+5	20	 Ø7xØ3.5x30 mm	X16+1
7	 Ø15x9.5 mm	X8	21		X1
8		X4	22		X12+1
9		X1	23	 Ø6xØ3x19 mm	X12+1
10		X4	24		X2
11		X10+1	25		X2
12		X2	 <p><b>Screw driver needed. But not included.</b></p> 		
13		X2			
14	 Ø6xØ3x12 mm	X24+2			

# ASSEMBLY INSTRUCTIONS



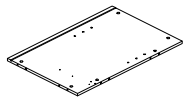
# ASSEMBLY INSTRUCTIONS

1

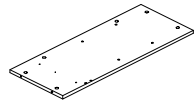


# ASSEMBLY INSTRUCTIONS

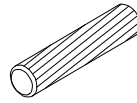
2



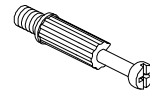
ⓐ 1pc



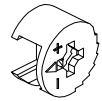
Ⓚ 1pc



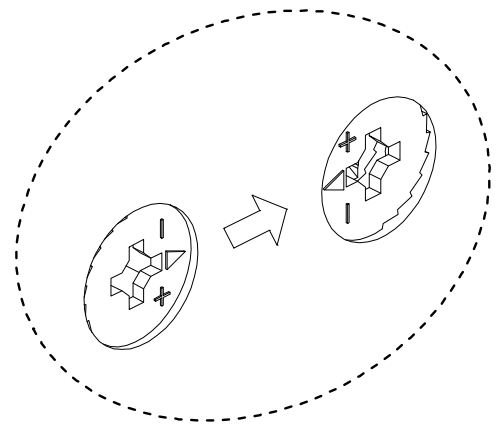
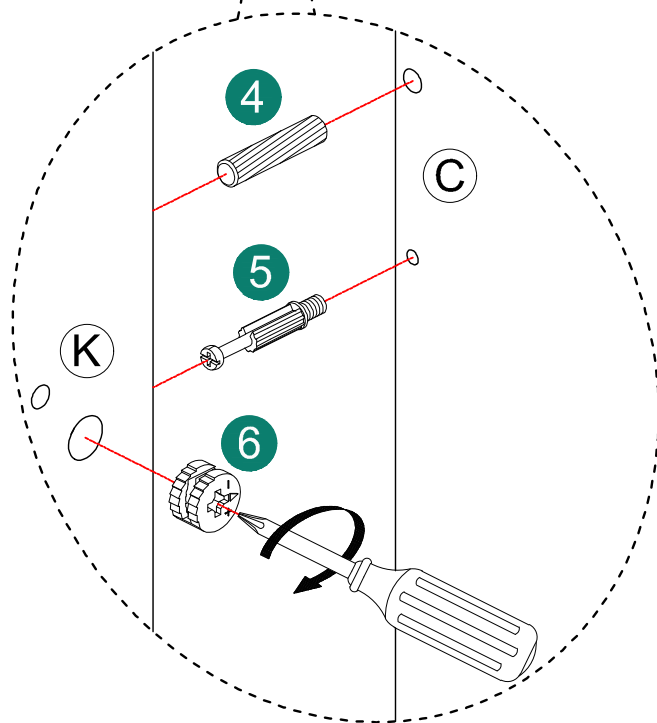
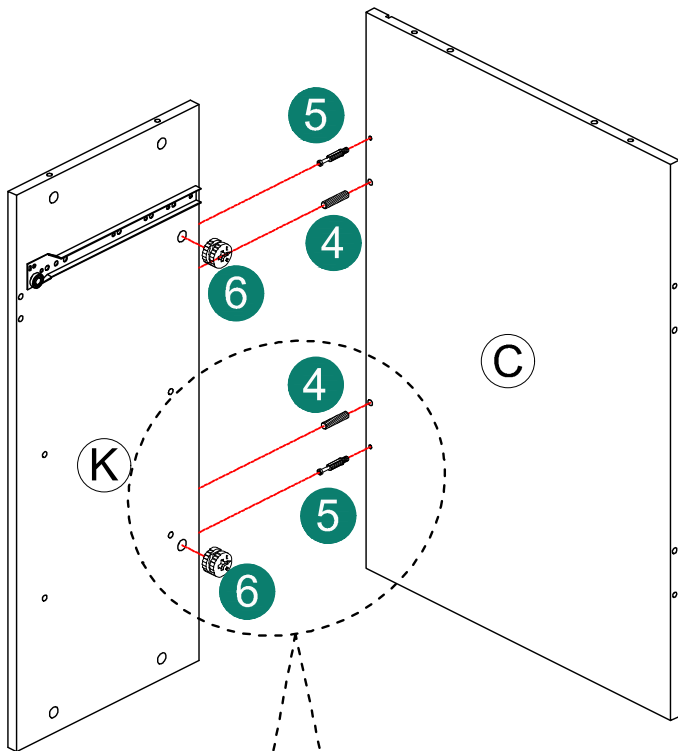
④ 2pc



⑤ 2pc

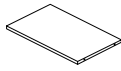


⑥ 2pc

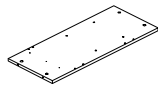


# ASSEMBLY INSTRUCTIONS

3



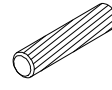
F 2pc



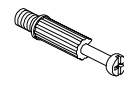
I 1pc



Q 1pc



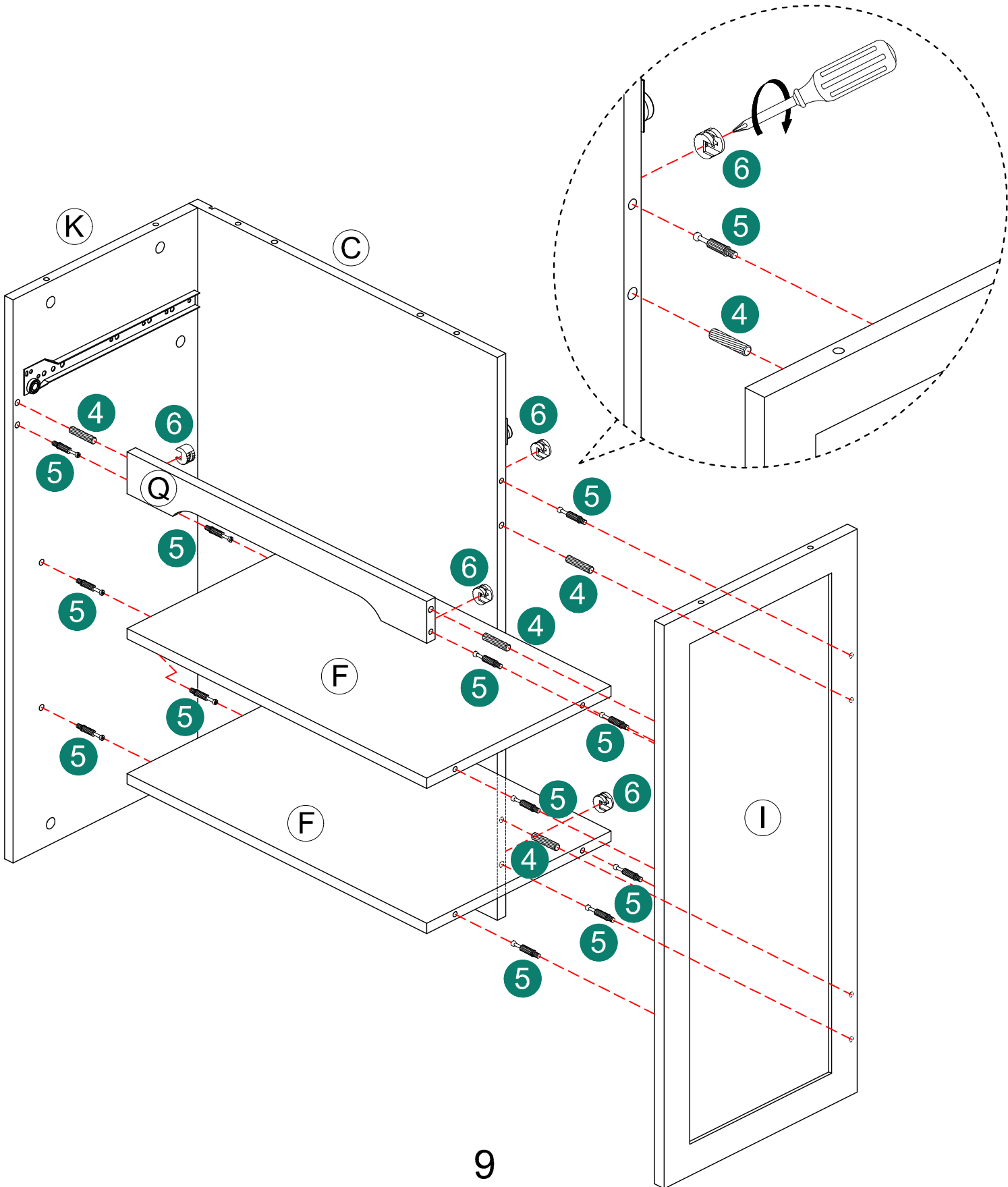
4 4pc



5 12pc



6 4pc

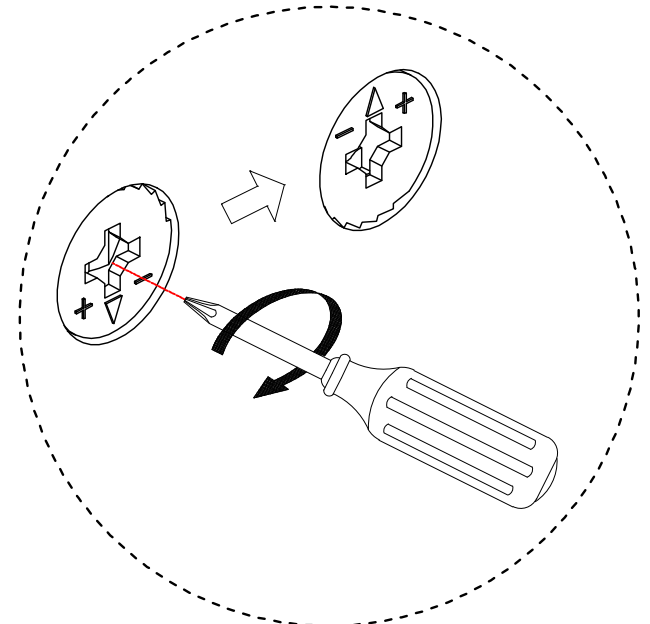
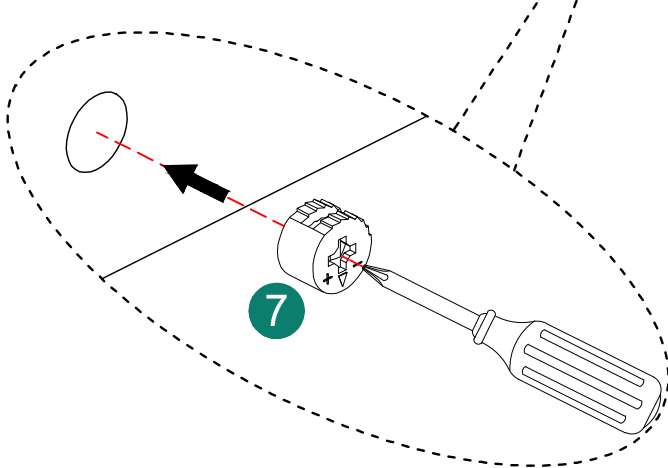
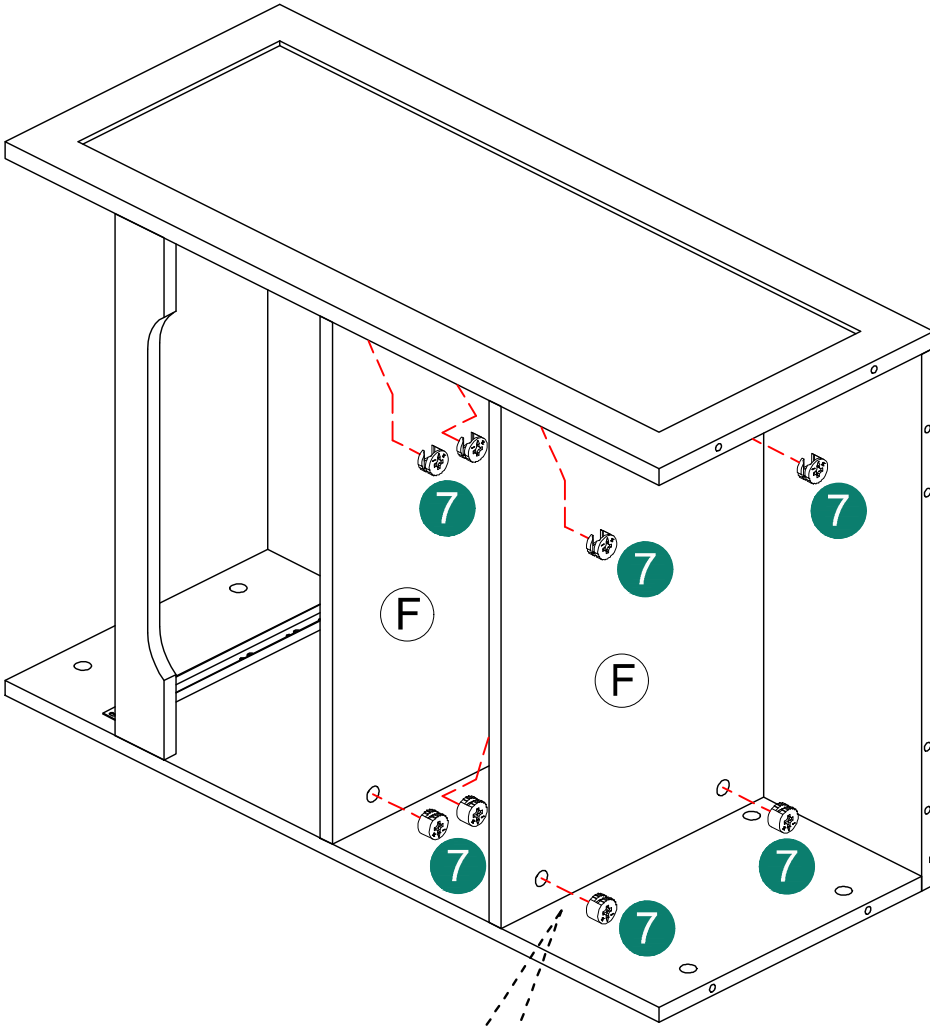


# ASSEMBLY INSTRUCTIONS

4

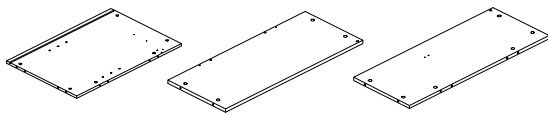


7 8pc



# ASSEMBLY INSTRUCTIONS

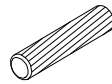
5



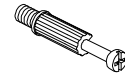
D 1pc

J 1pc

L 1pc



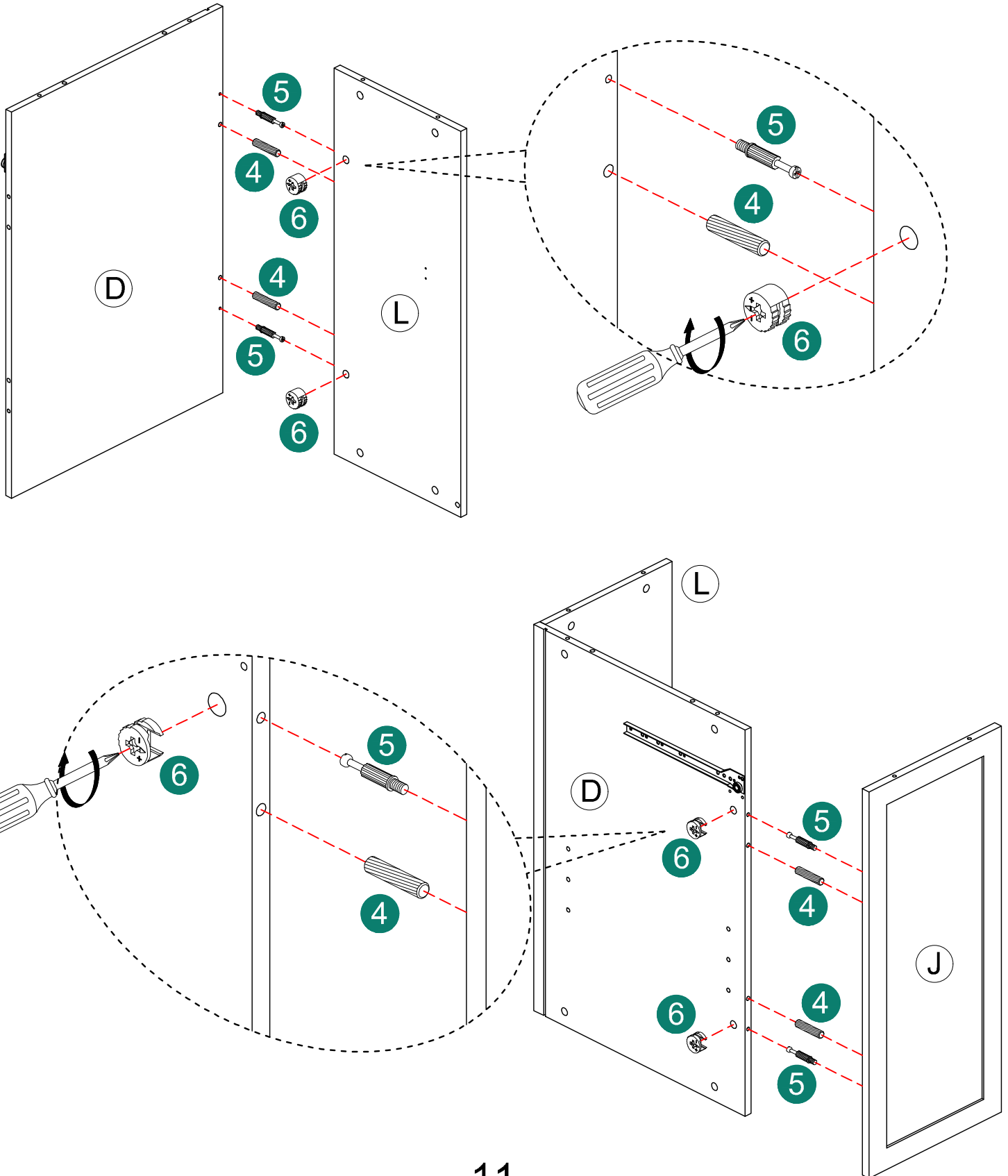
4 4pc



5 4pc

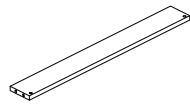


6 4pc



# ASSEMBLY INSTRUCTIONS

6



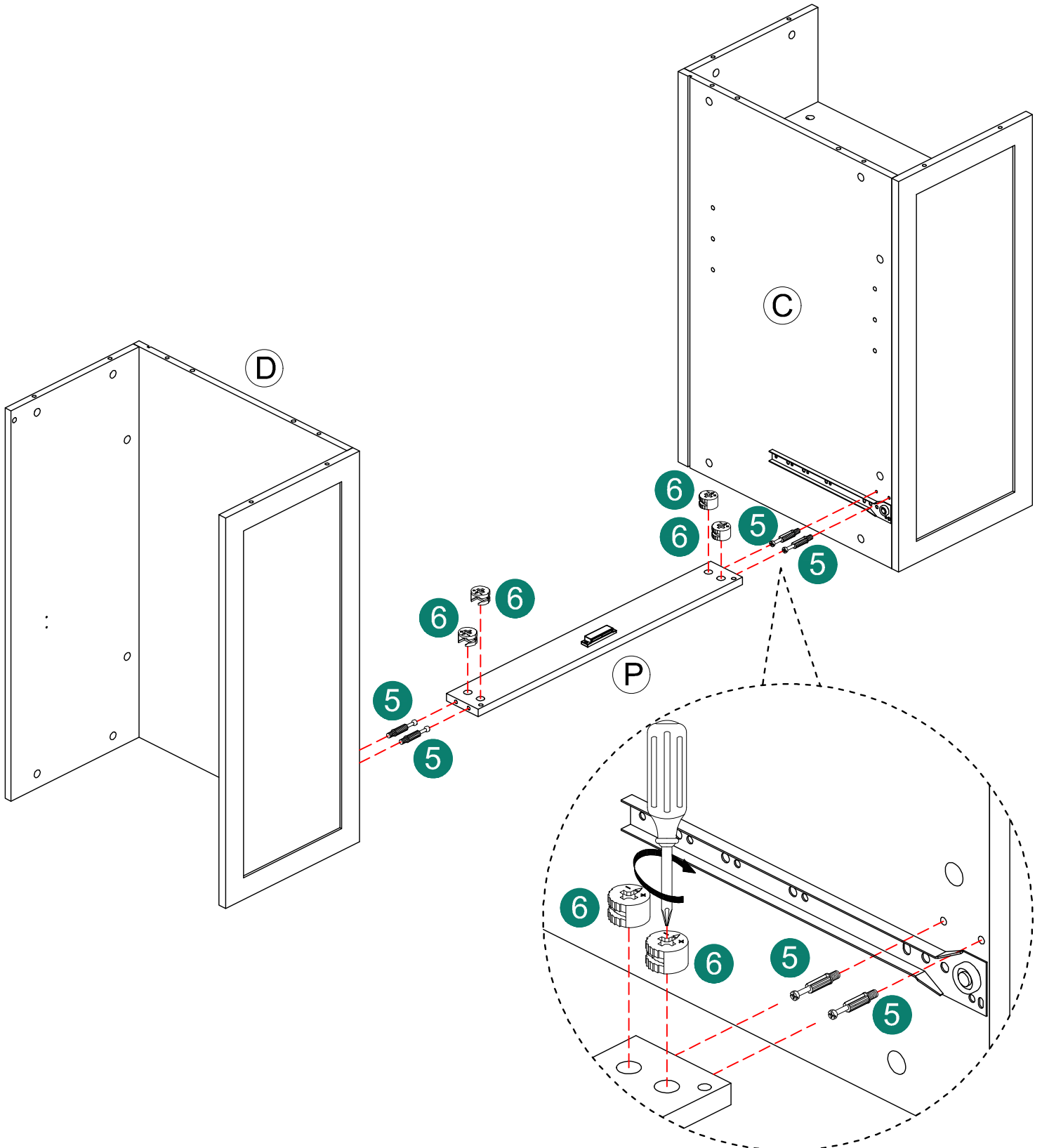
P 1pc



5 4pc

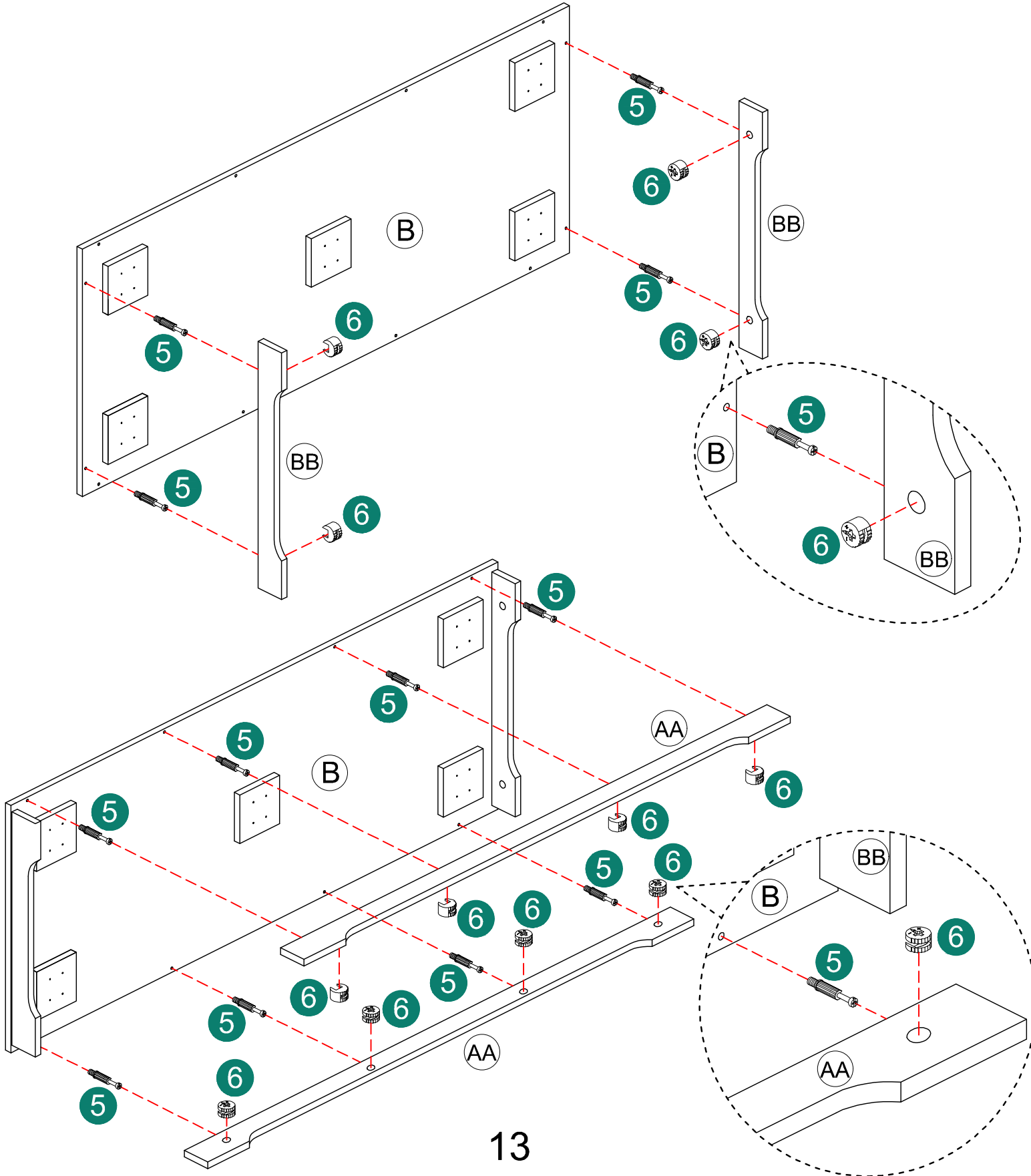
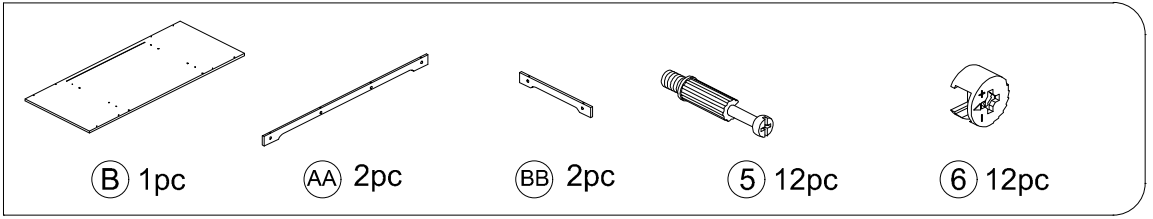


6 4pc



# ASSEMBLY INSTRUCTIONS

7



# ASSEMBLY INSTRUCTIONS

8



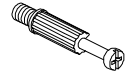
① 2pc



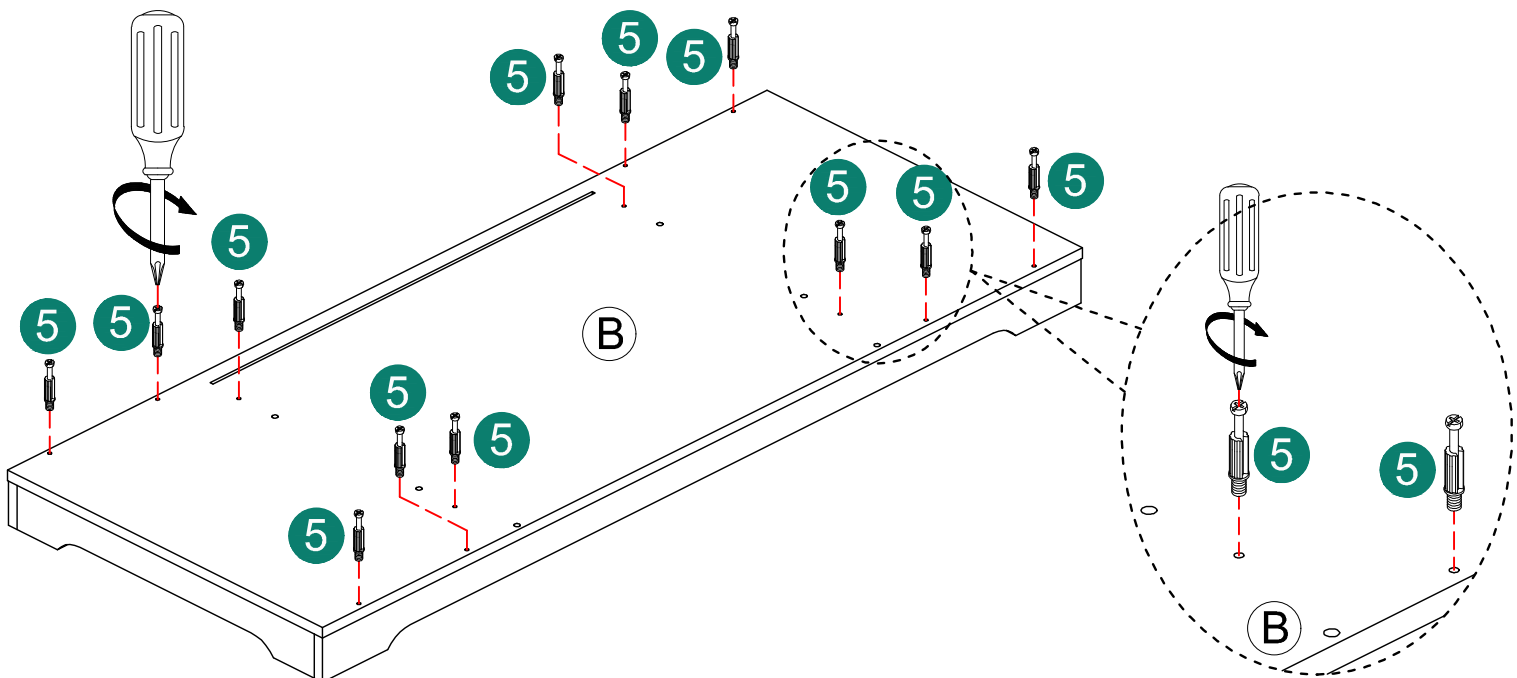
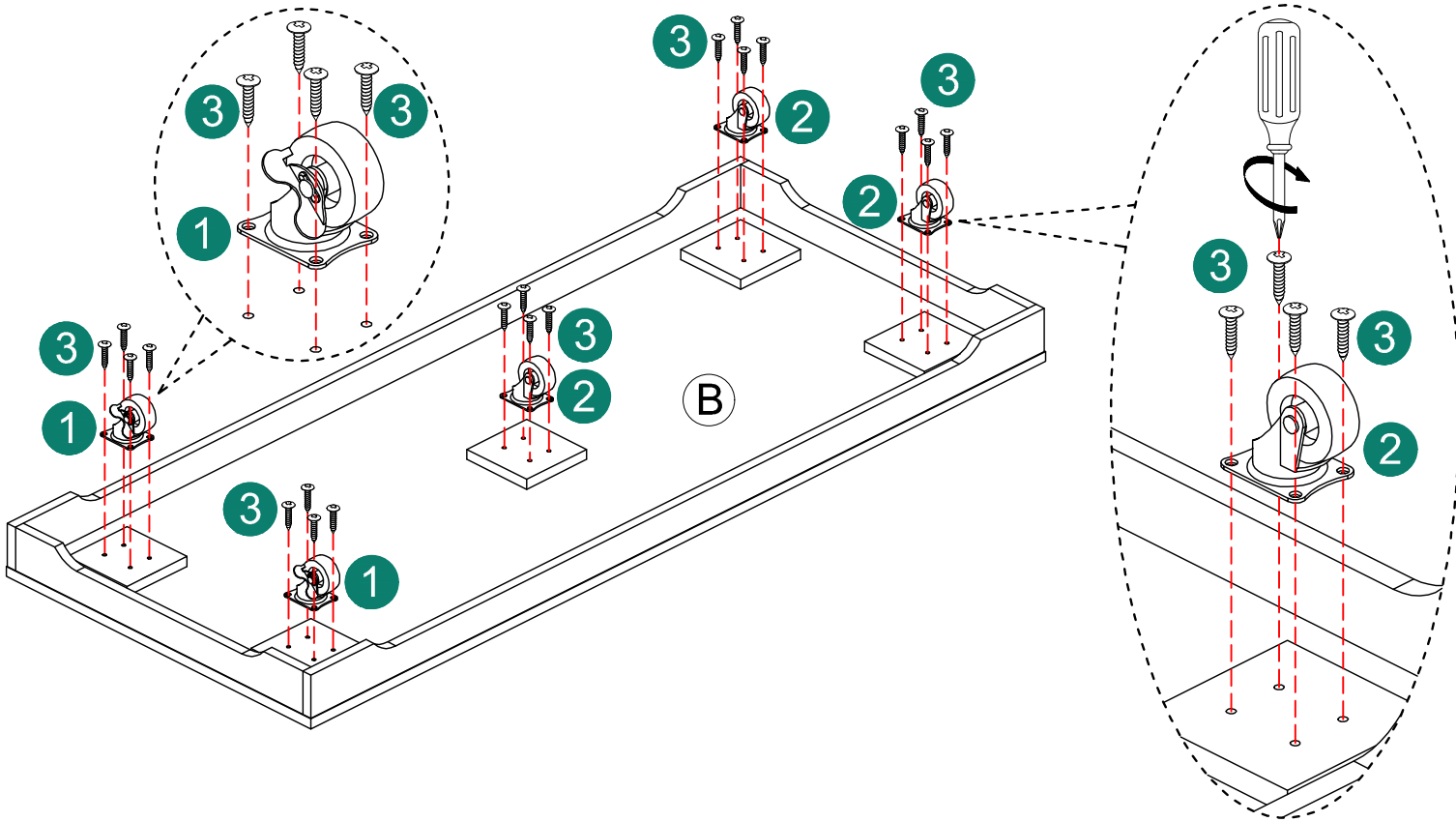
② 3pc



③ 20pc



⑤ 12pc



# ASSEMBLY INSTRUCTIONS

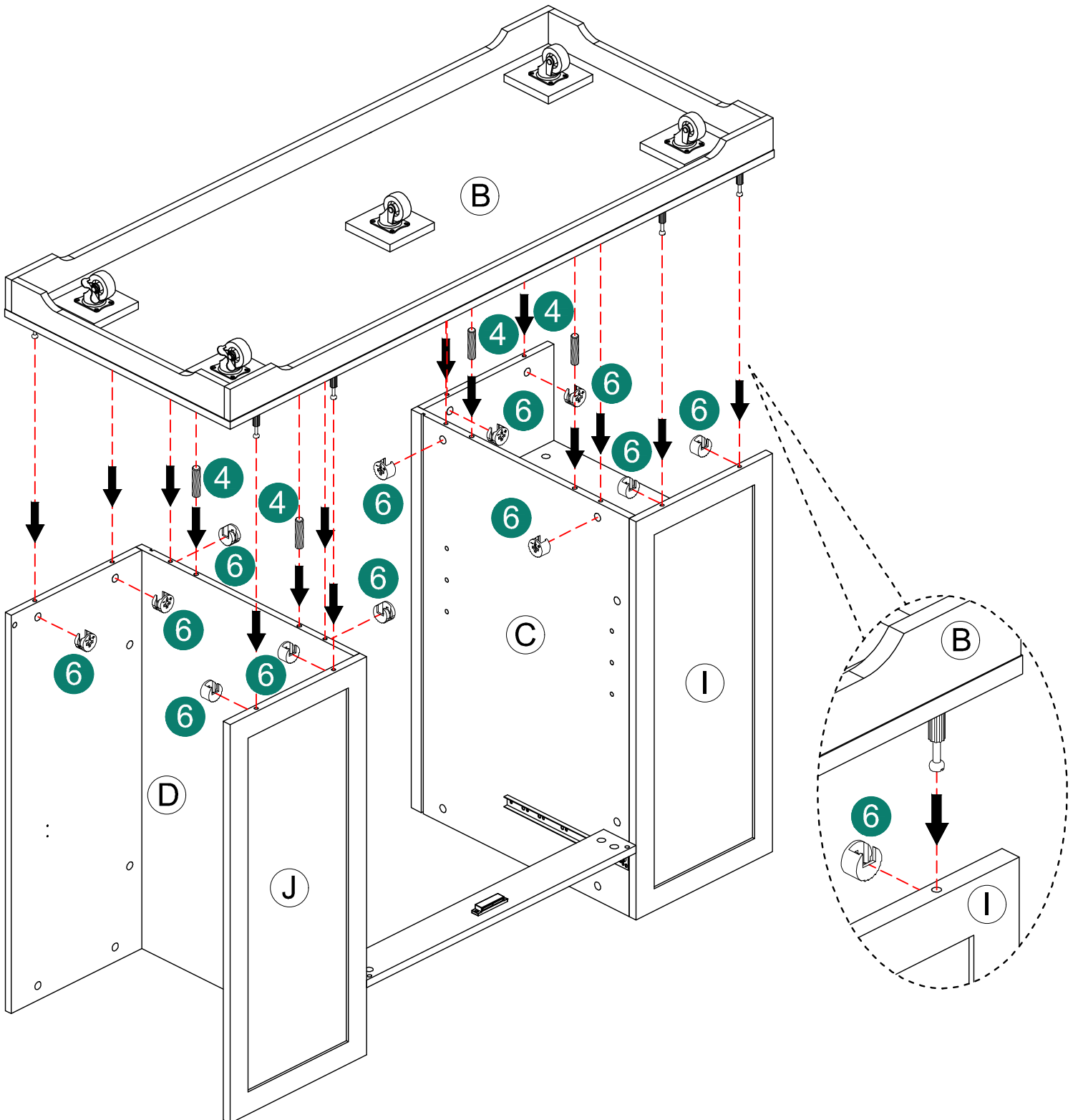
9



④ 4pc

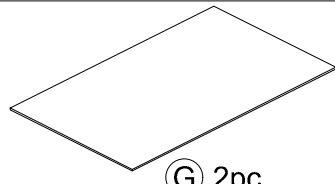


⑥ 12pc

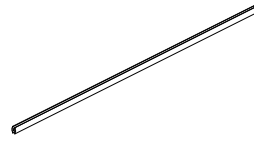


# ASSEMBLY INSTRUCTIONS

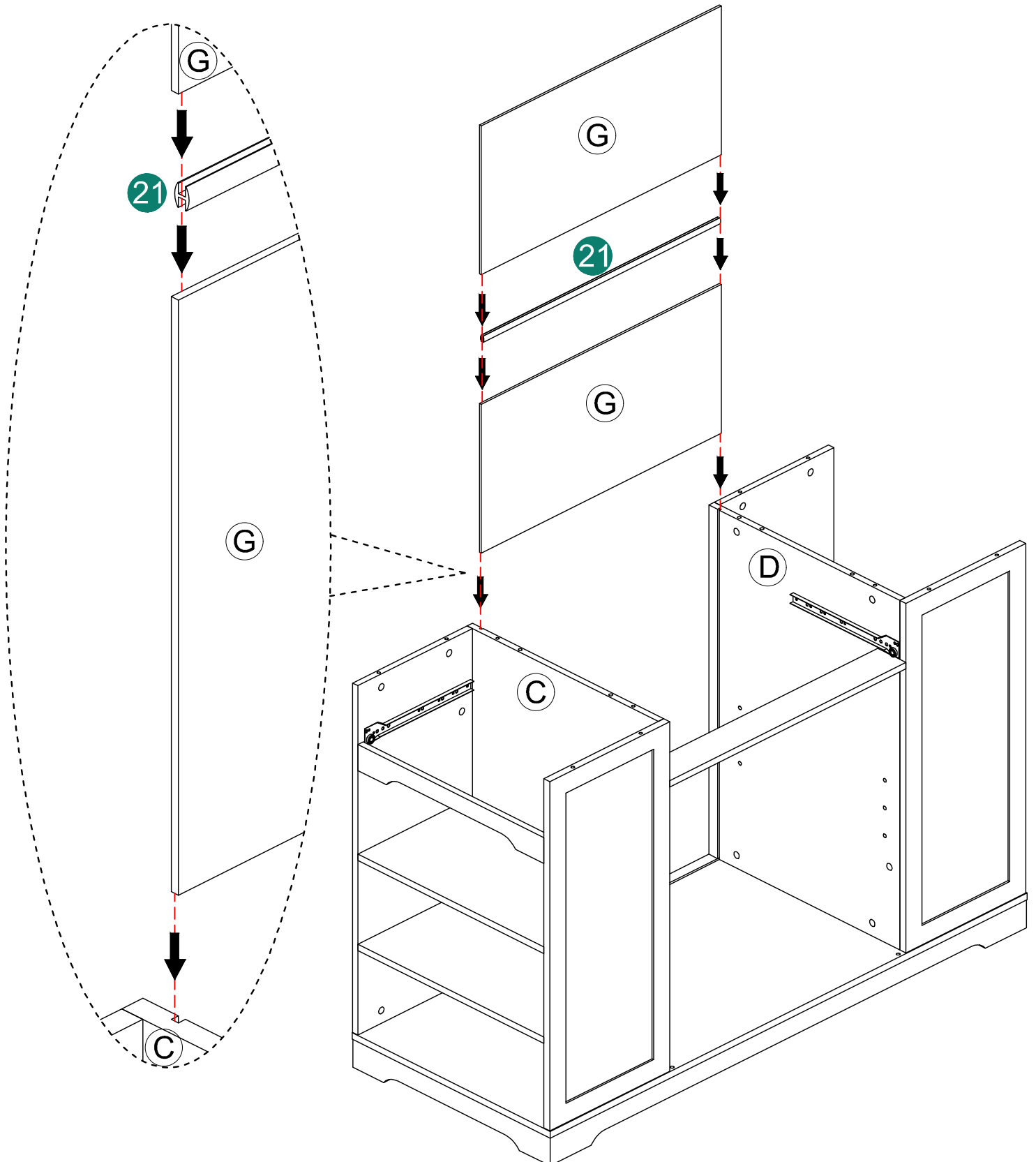
10



G 2pc

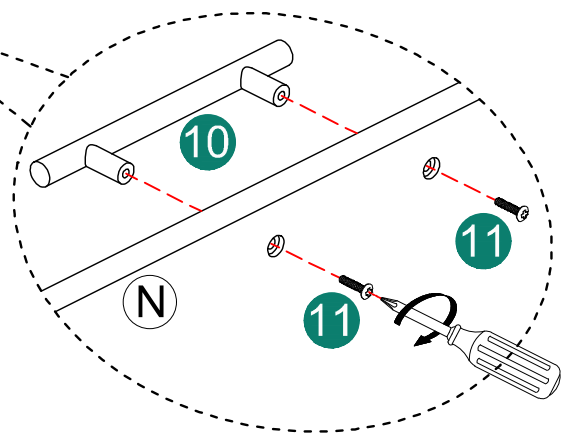
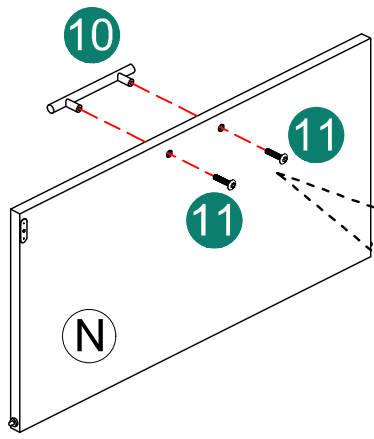
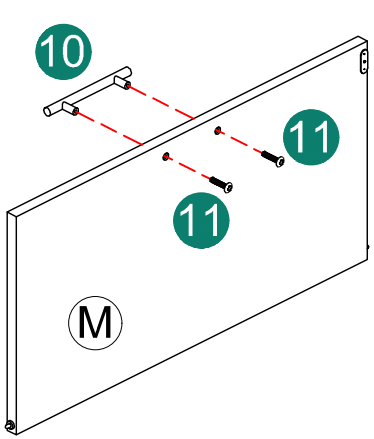
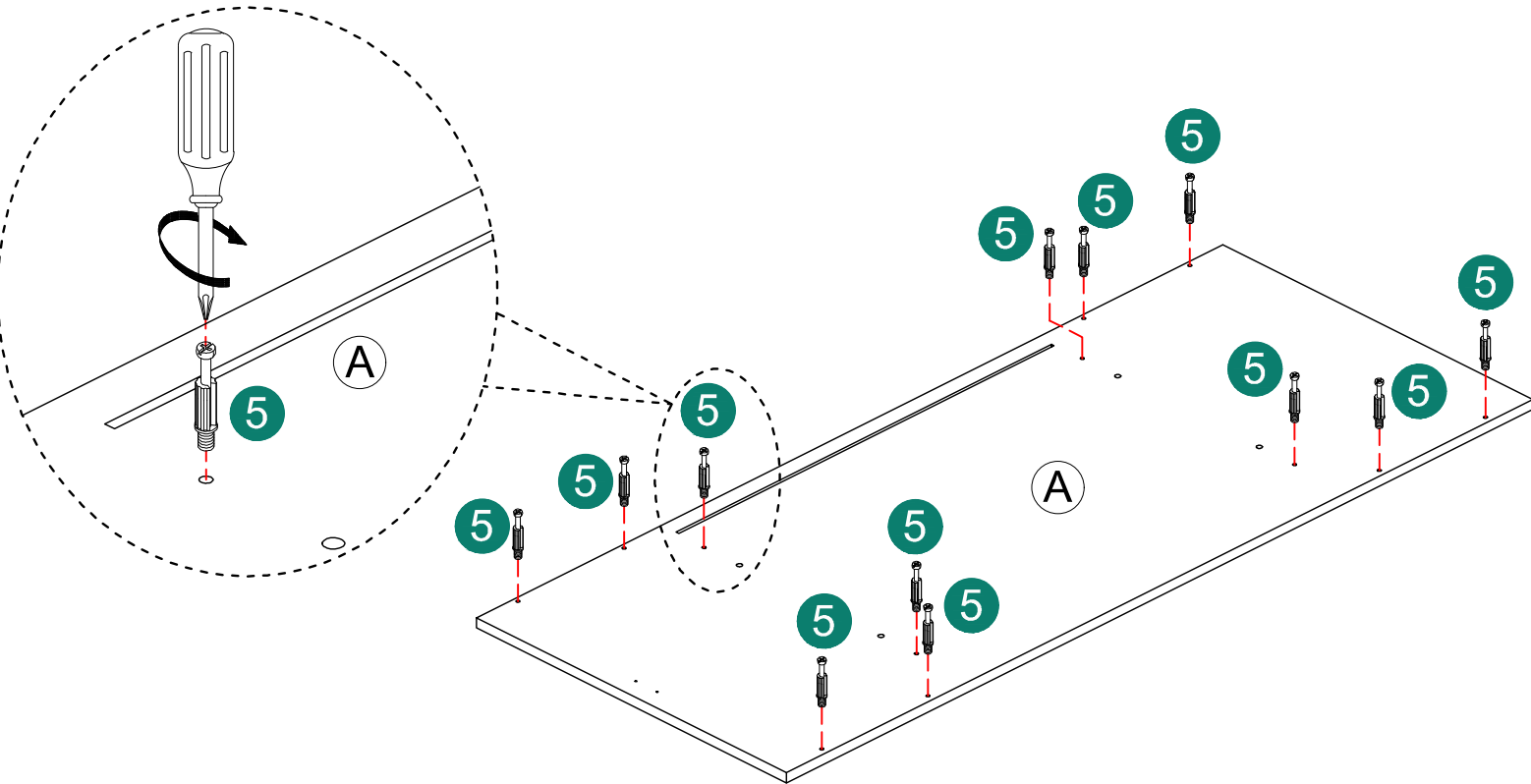
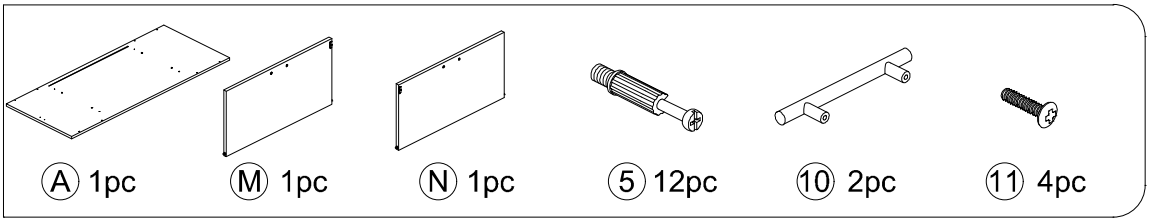


21 1pc



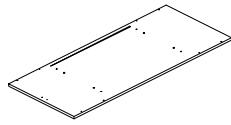
# ASSEMBLY INSTRUCTIONS

11



# ASSEMBLY INSTRUCTIONS

12



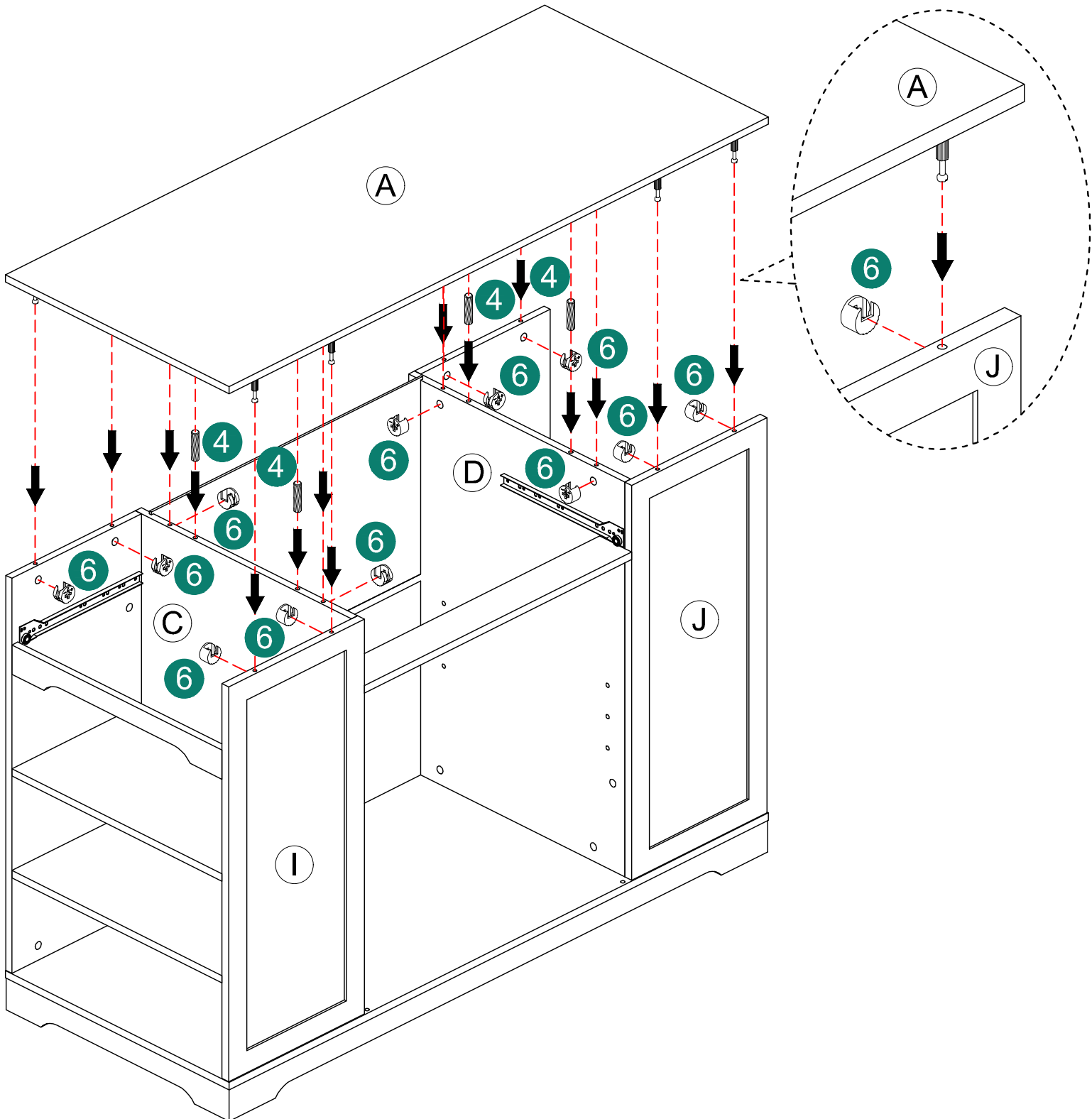
Ⓐ 1pc



④ 4pc

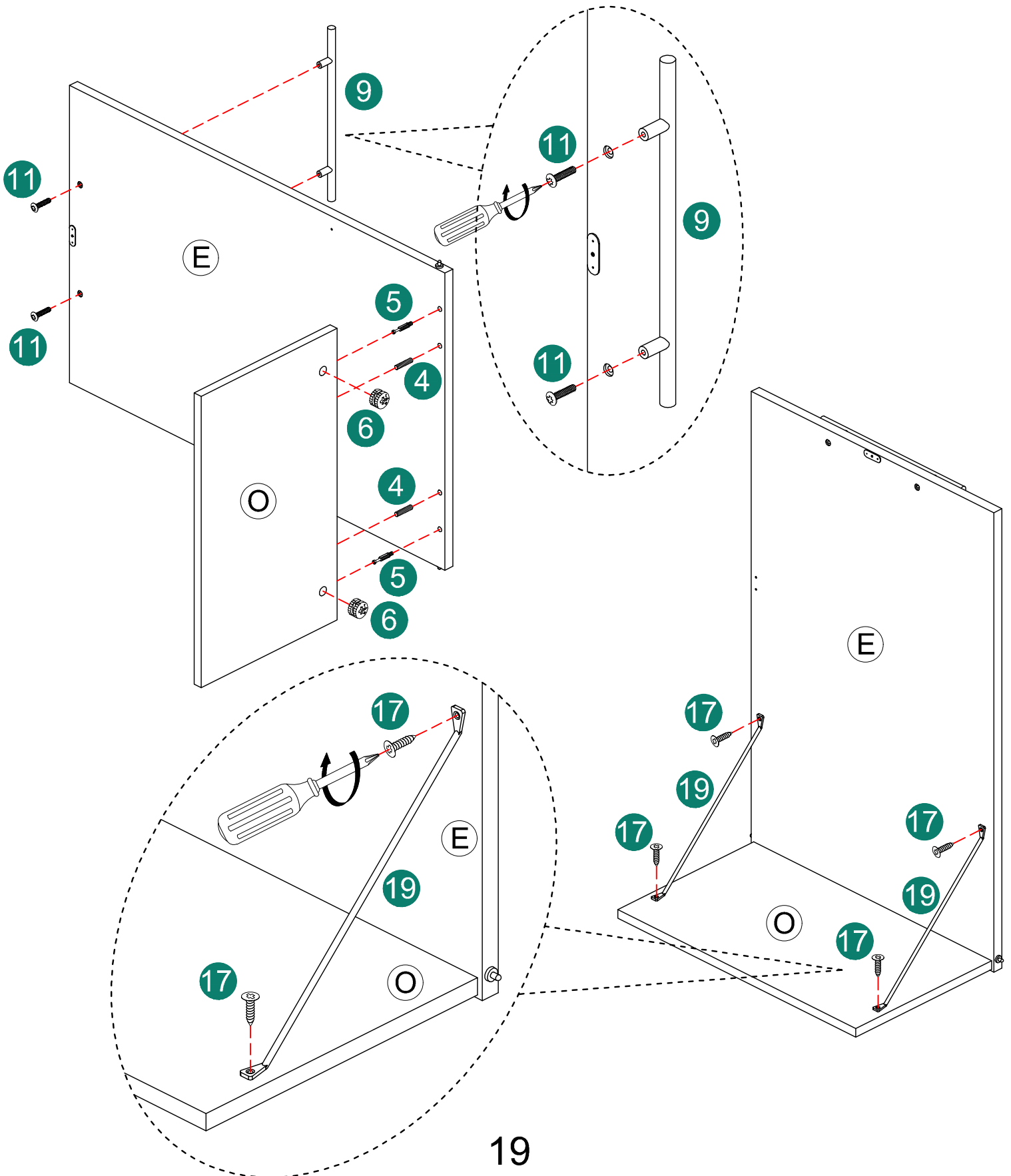
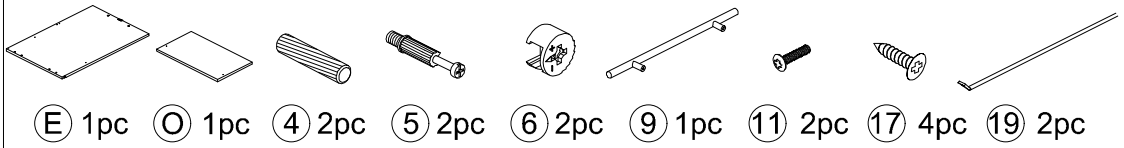


⑥ 12pc



# ASSEMBLY INSTRUCTIONS

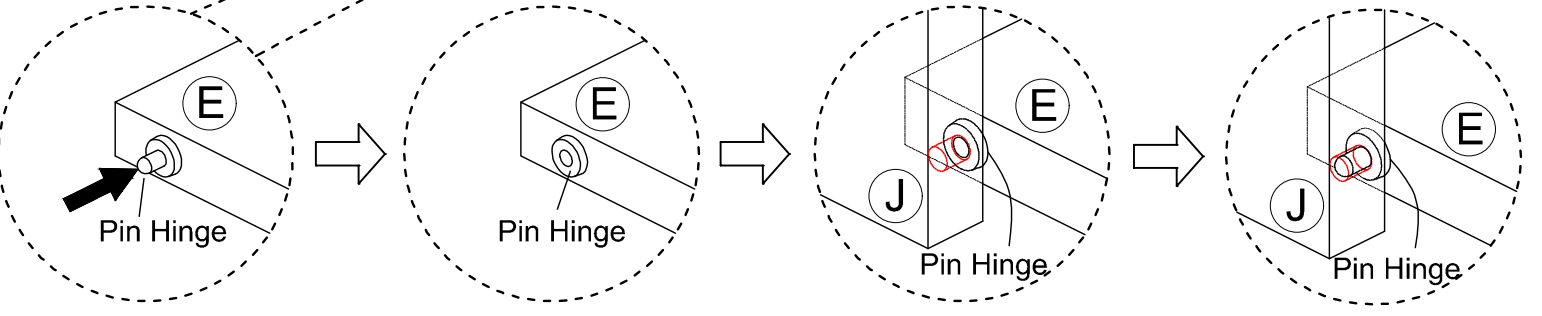
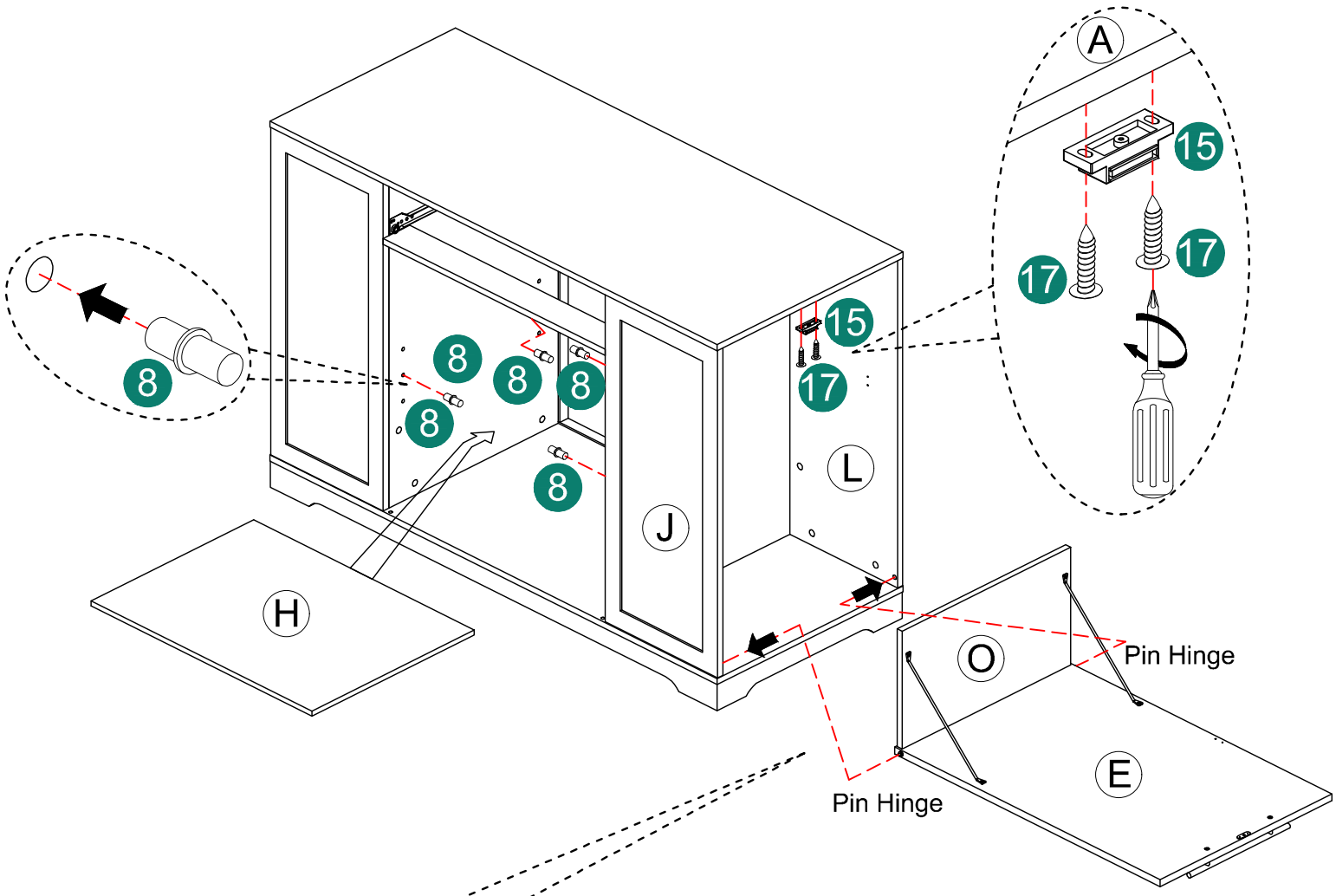
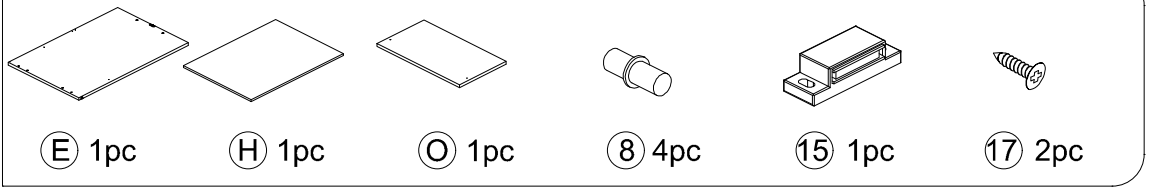
# 13



19

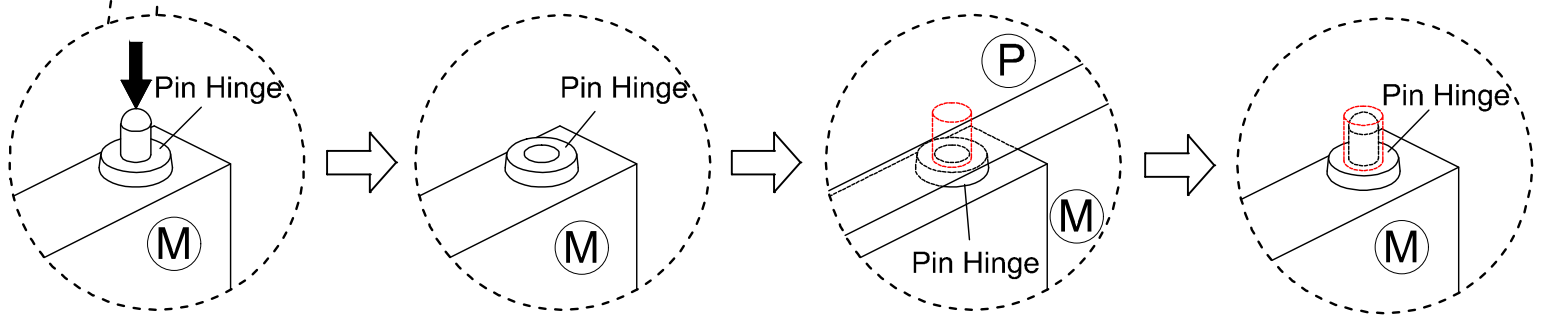
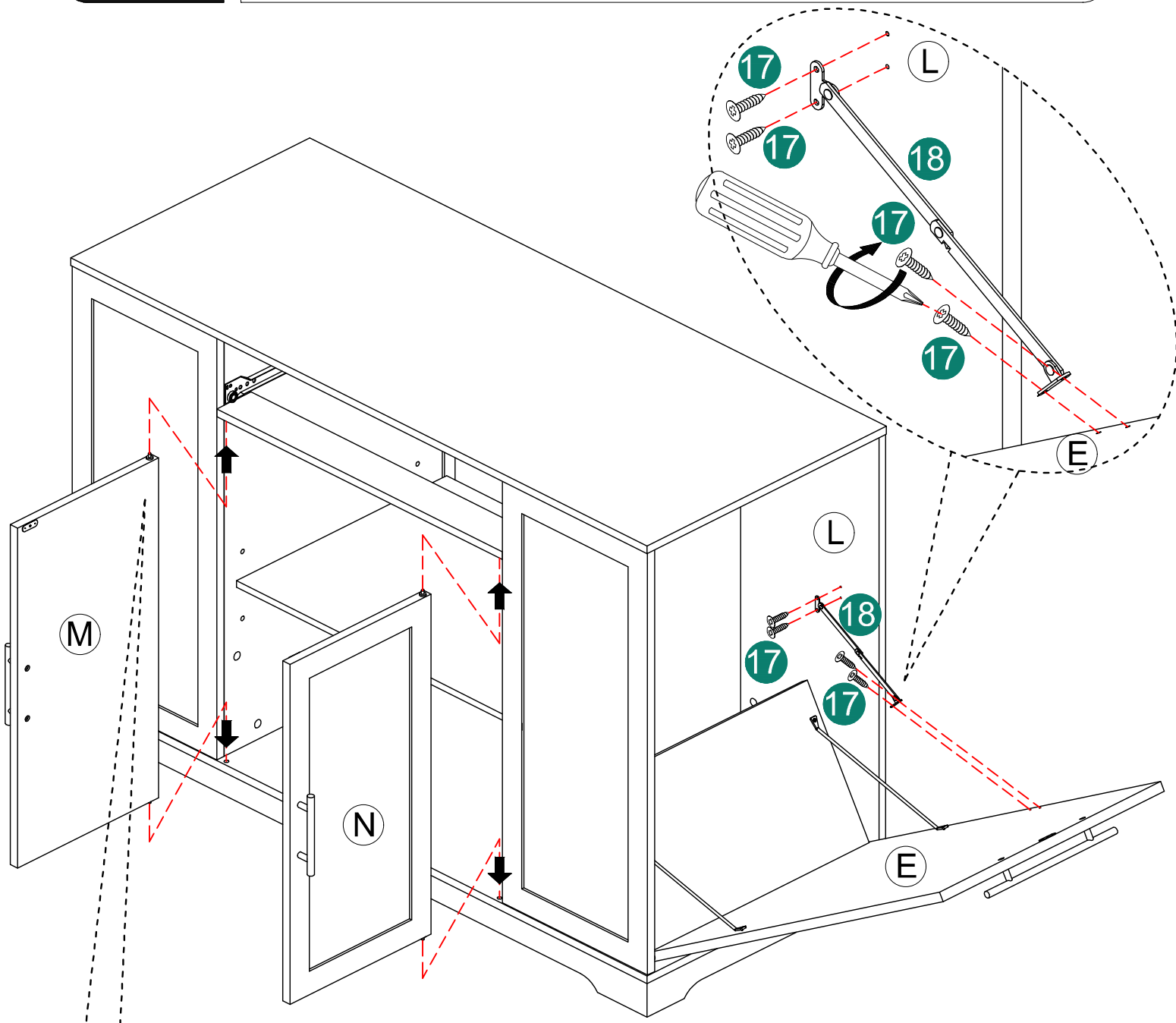
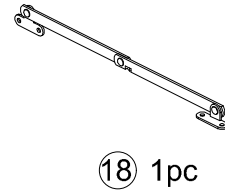
# ASSEMBLY INSTRUCTIONS

# 14



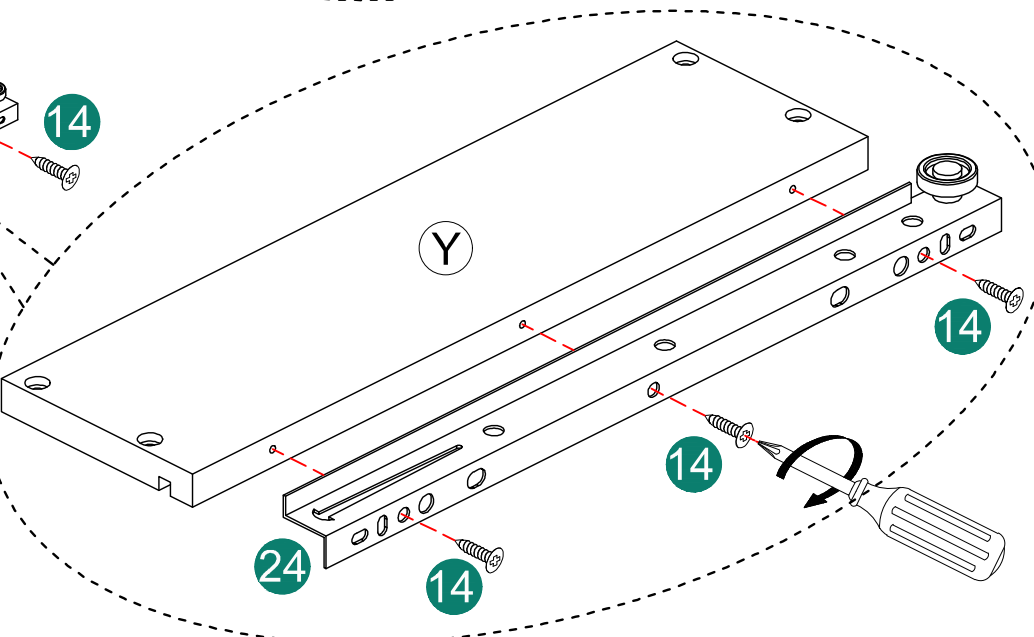
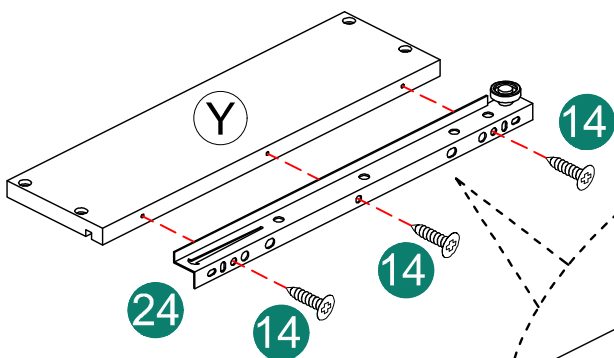
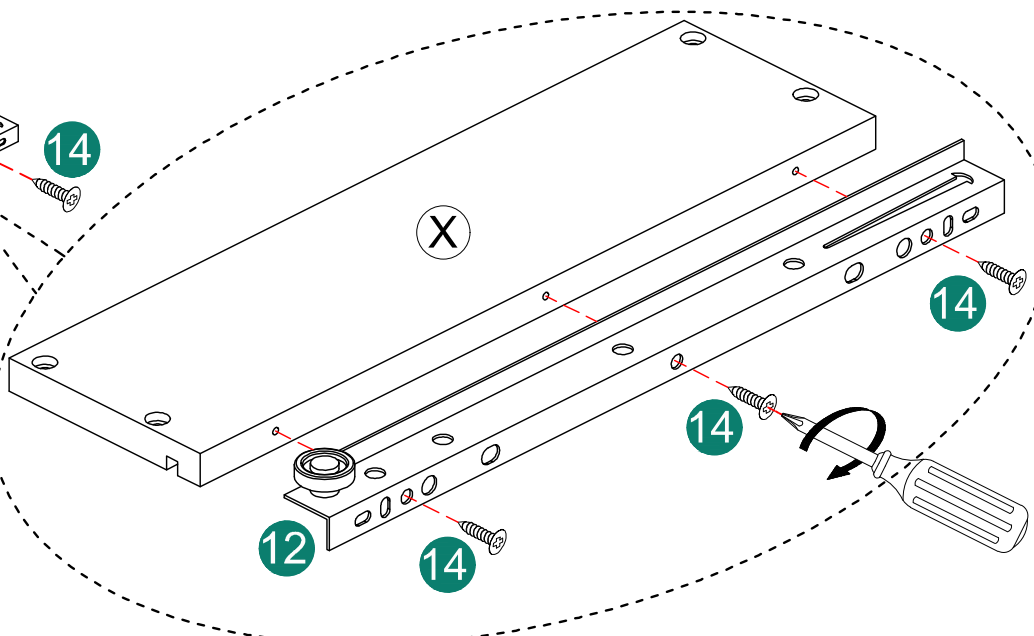
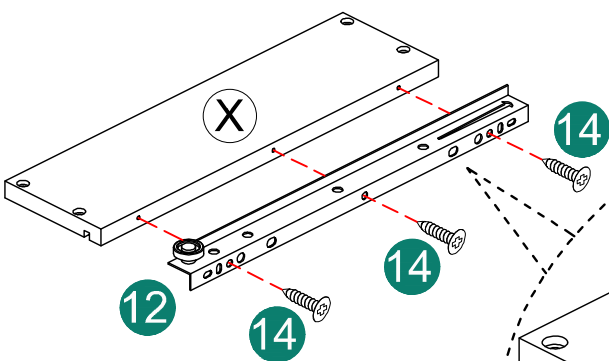
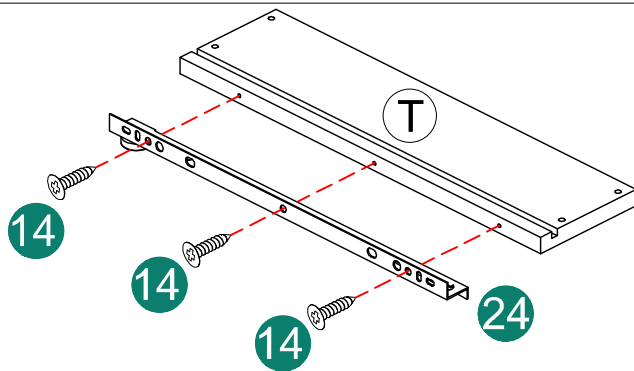
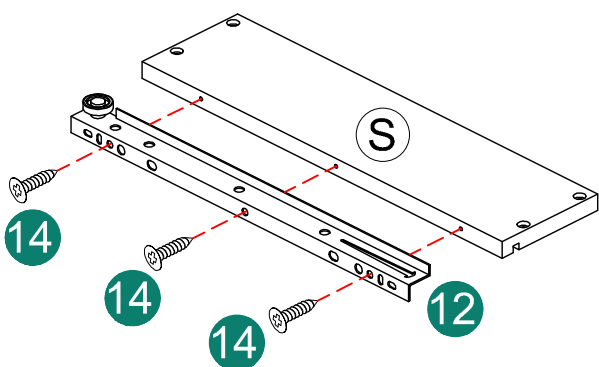
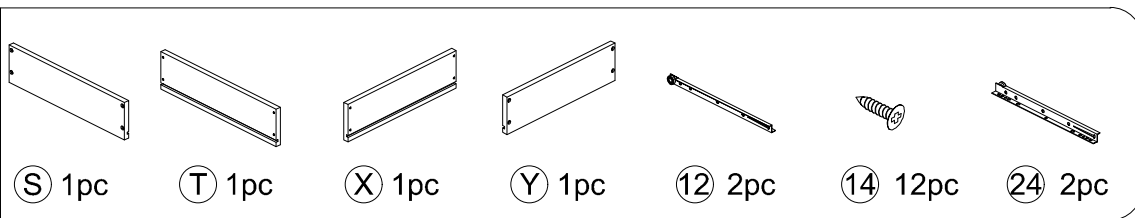
# ASSEMBLY INSTRUCTIONS

15



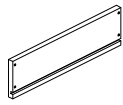
# ASSEMBLY INSTRUCTIONS

16

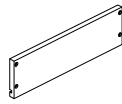


# ASSEMBLY INSTRUCTIONS

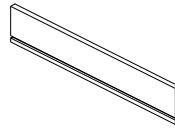
17



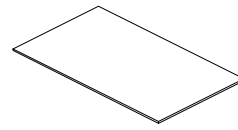
(X) 1pc



(Y) 1pc



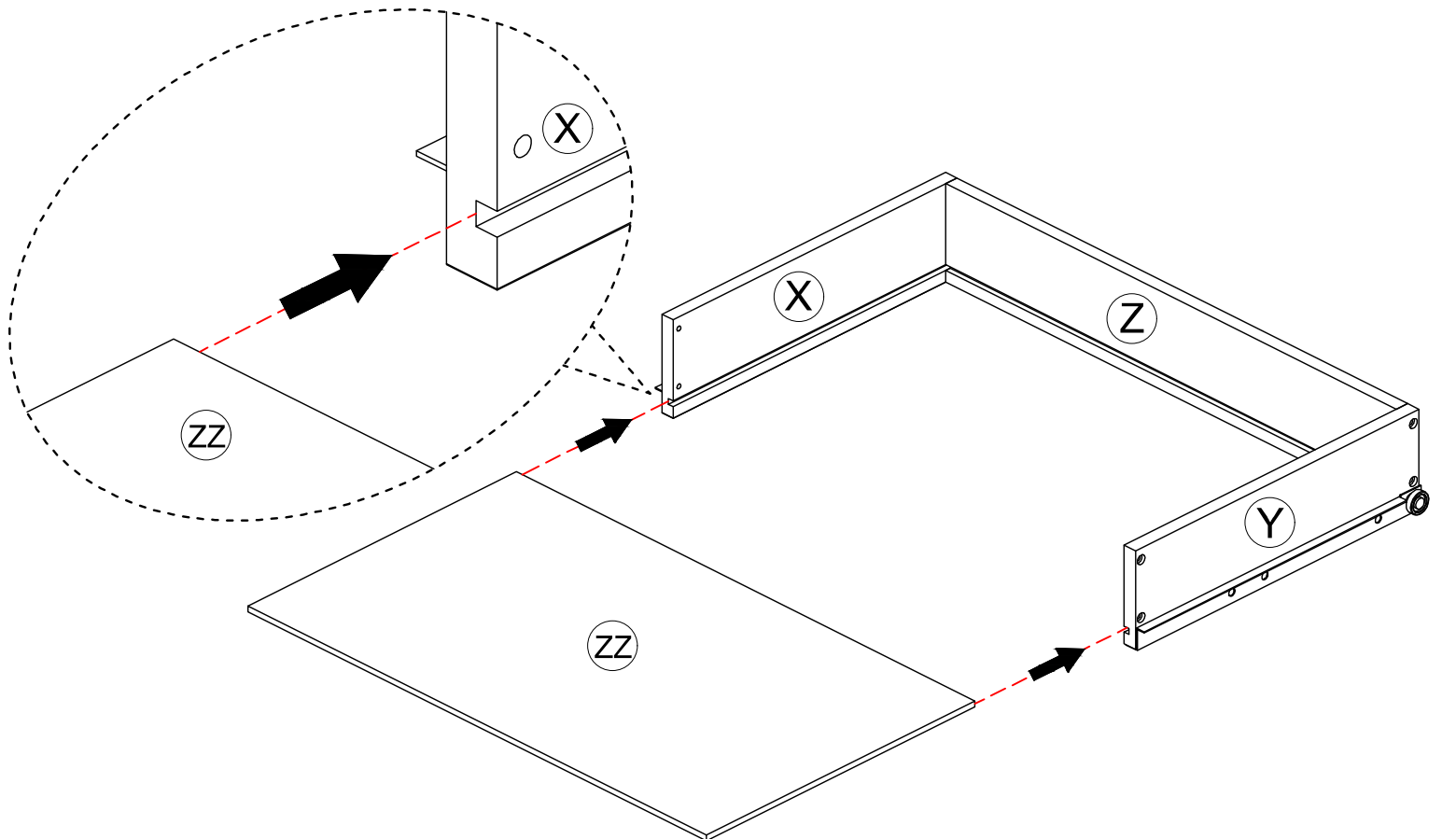
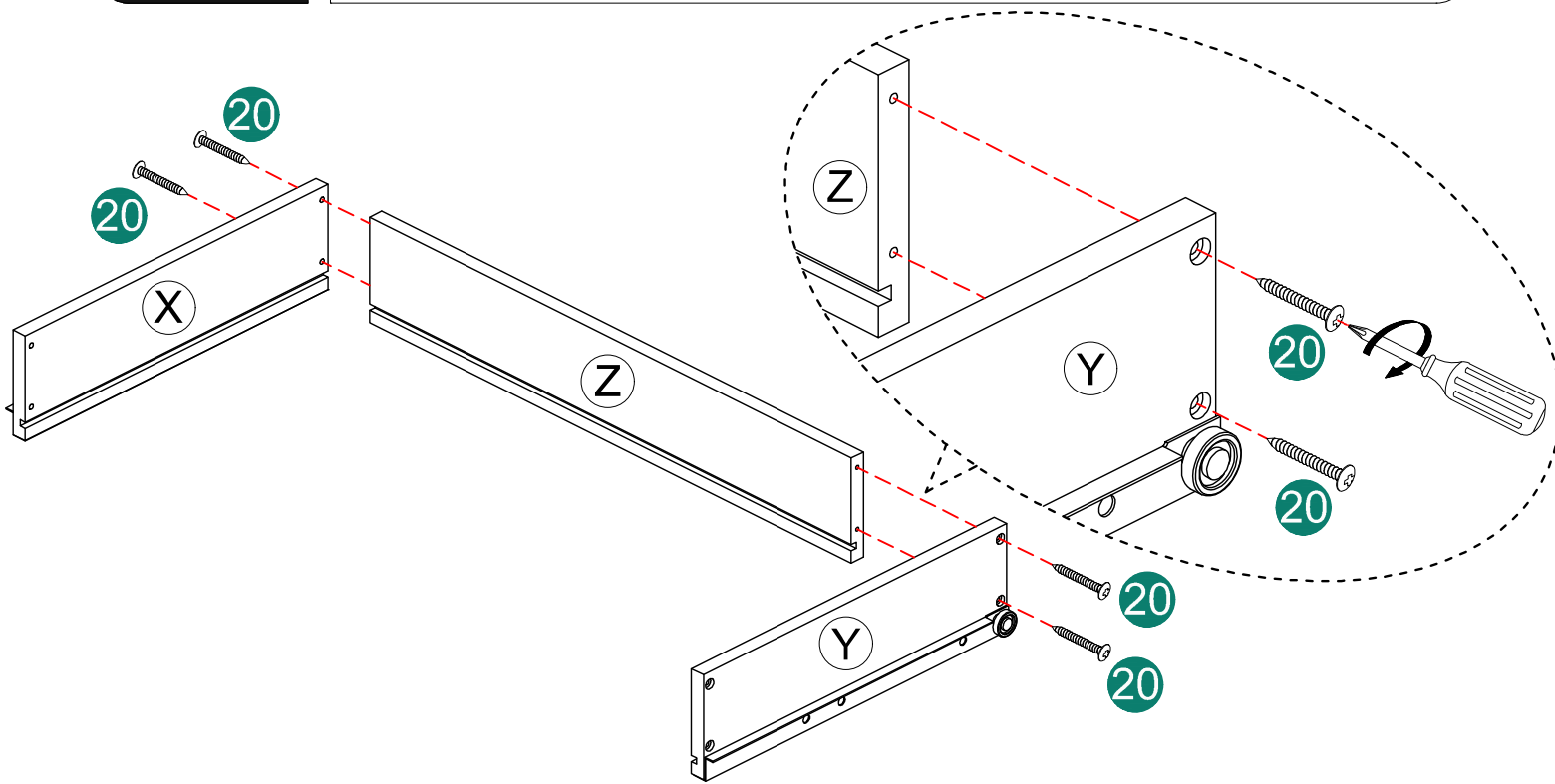
(Z) 1pc



(ZZ) 1pc



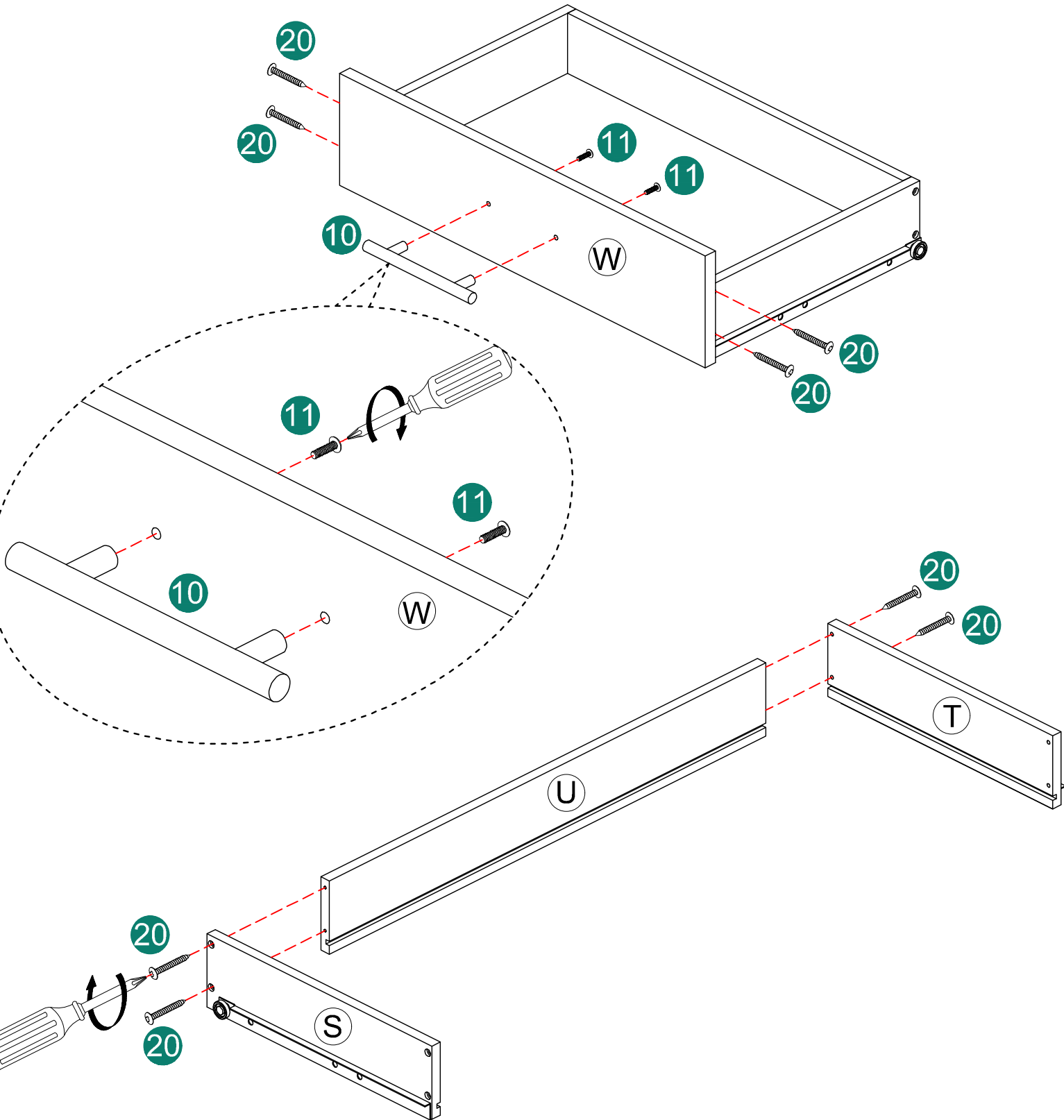
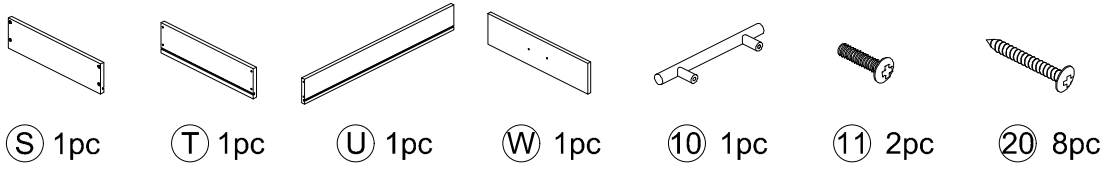
(20) 4pc



23

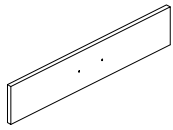
# ASSEMBLY INSTRUCTIONS

# 18

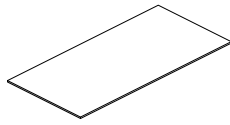


# ASSEMBLY INSTRUCTIONS

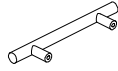
19



Ⓡ 1pc



Ⓥ 1pc



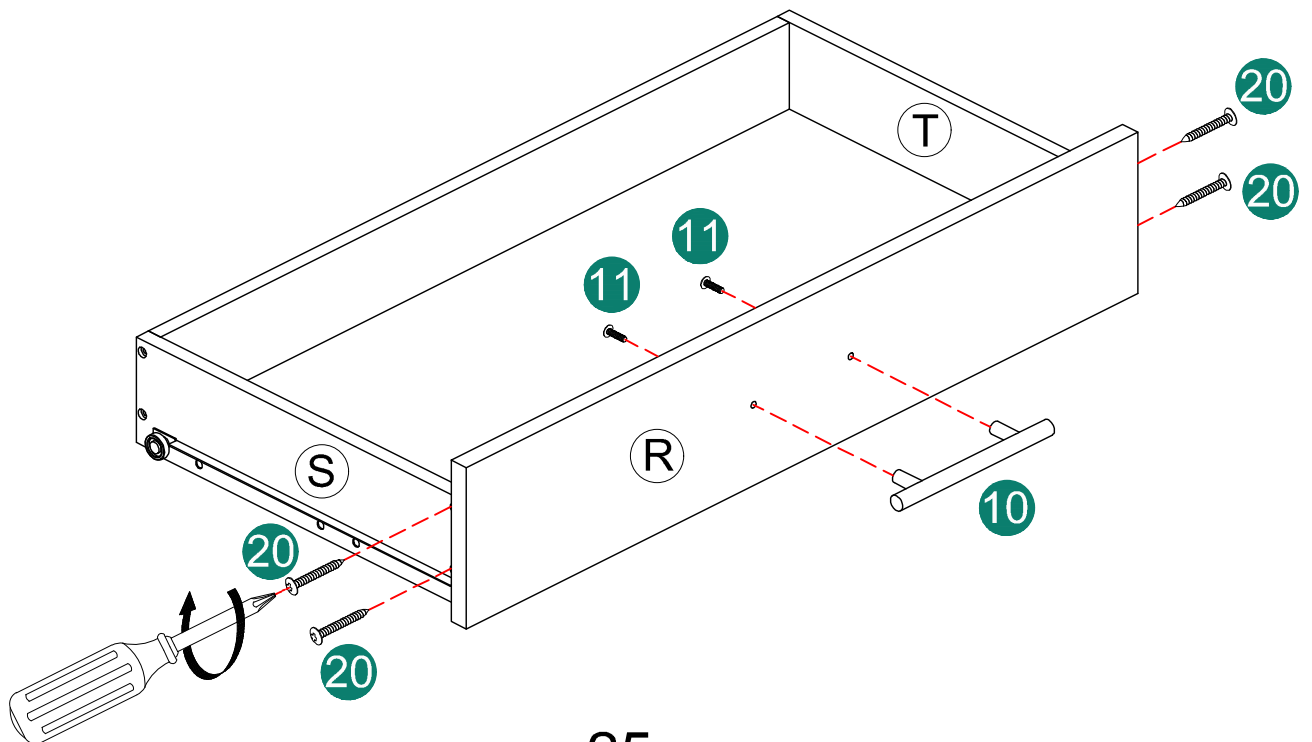
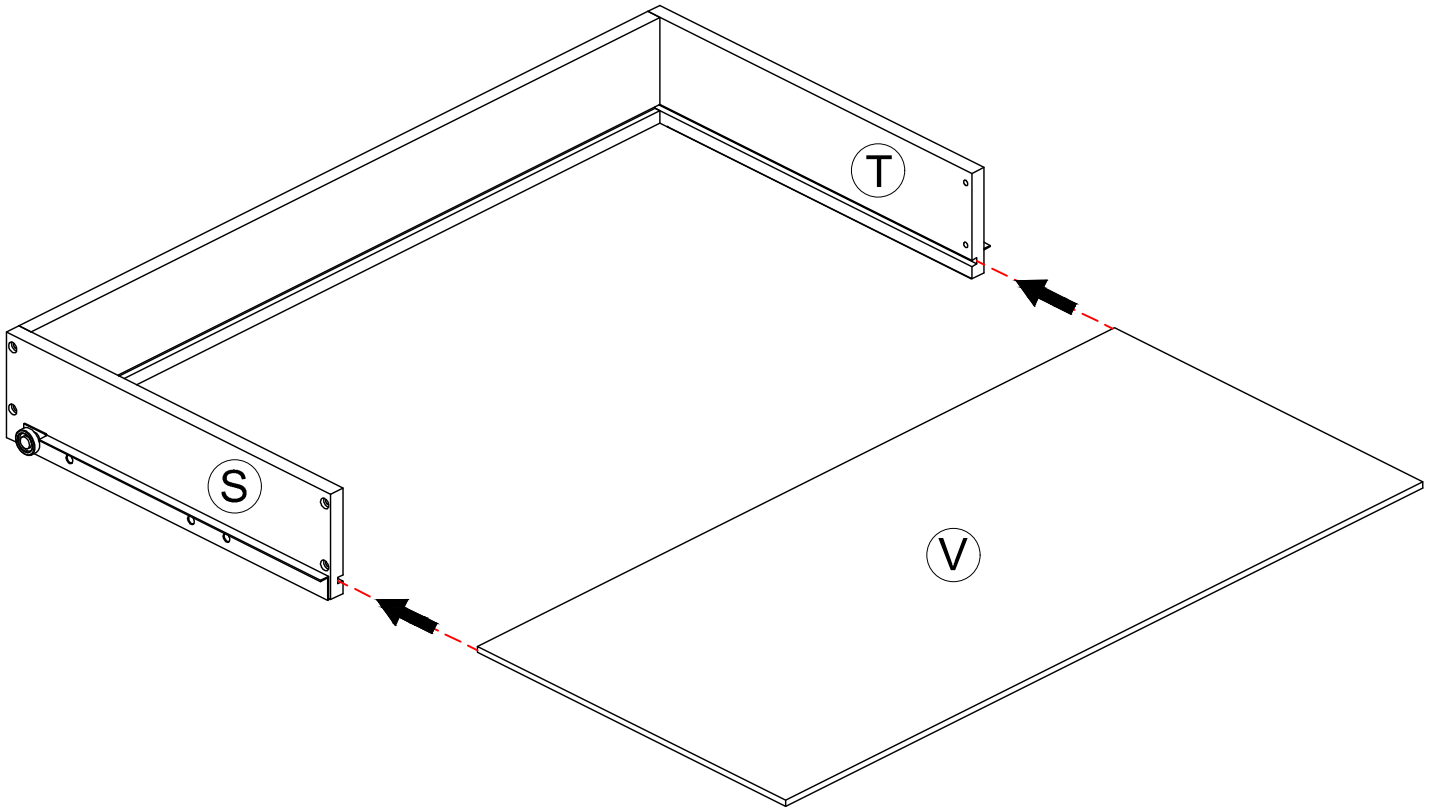
⑩ 1pc



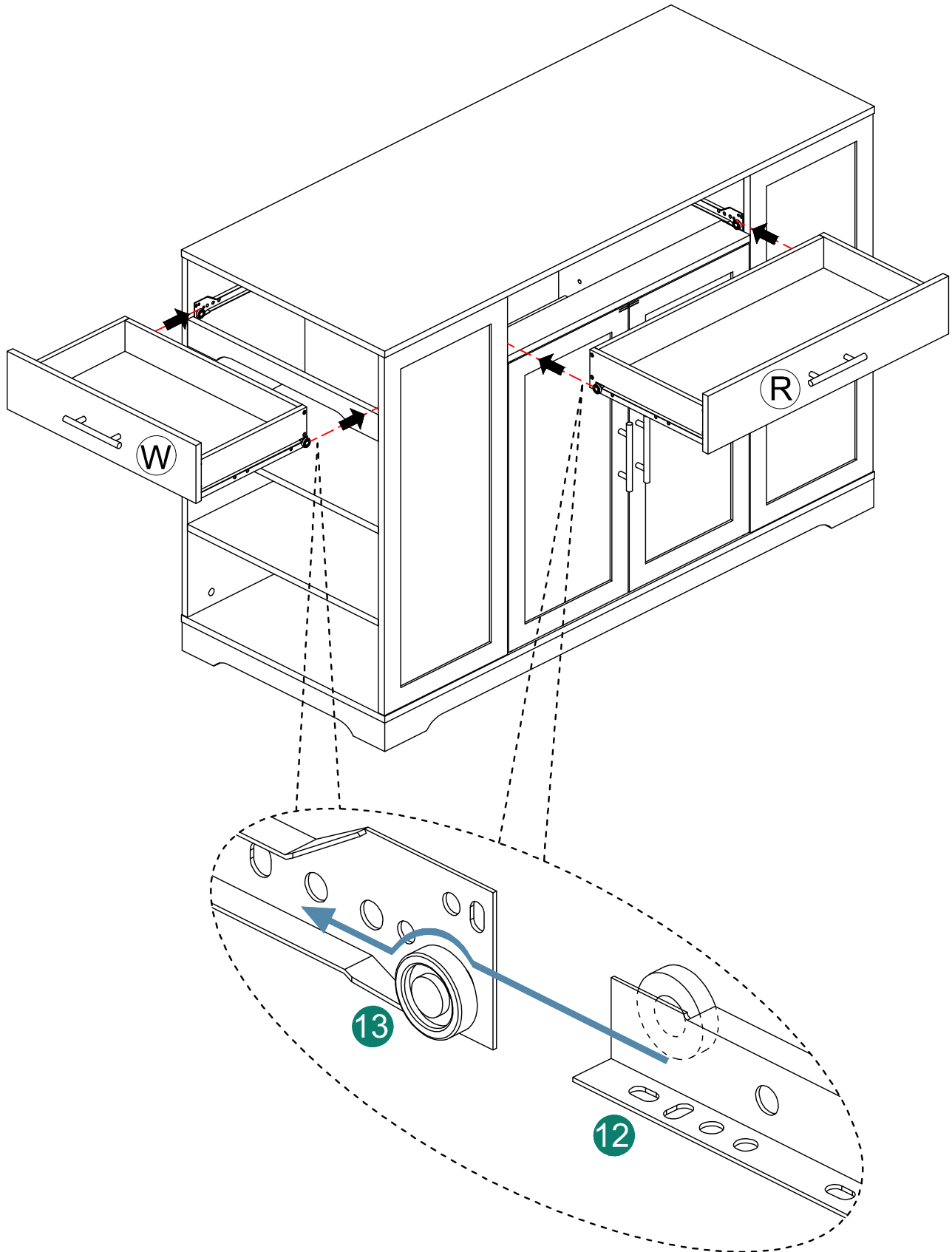
⑪ 2pc



⑳ 4pc

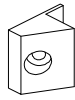


20



# ASSEMBLY INSTRUCTIONS

21



22 12pc



23 12pc

