
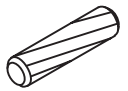

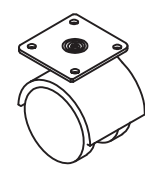
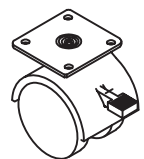
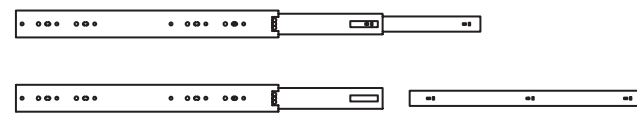

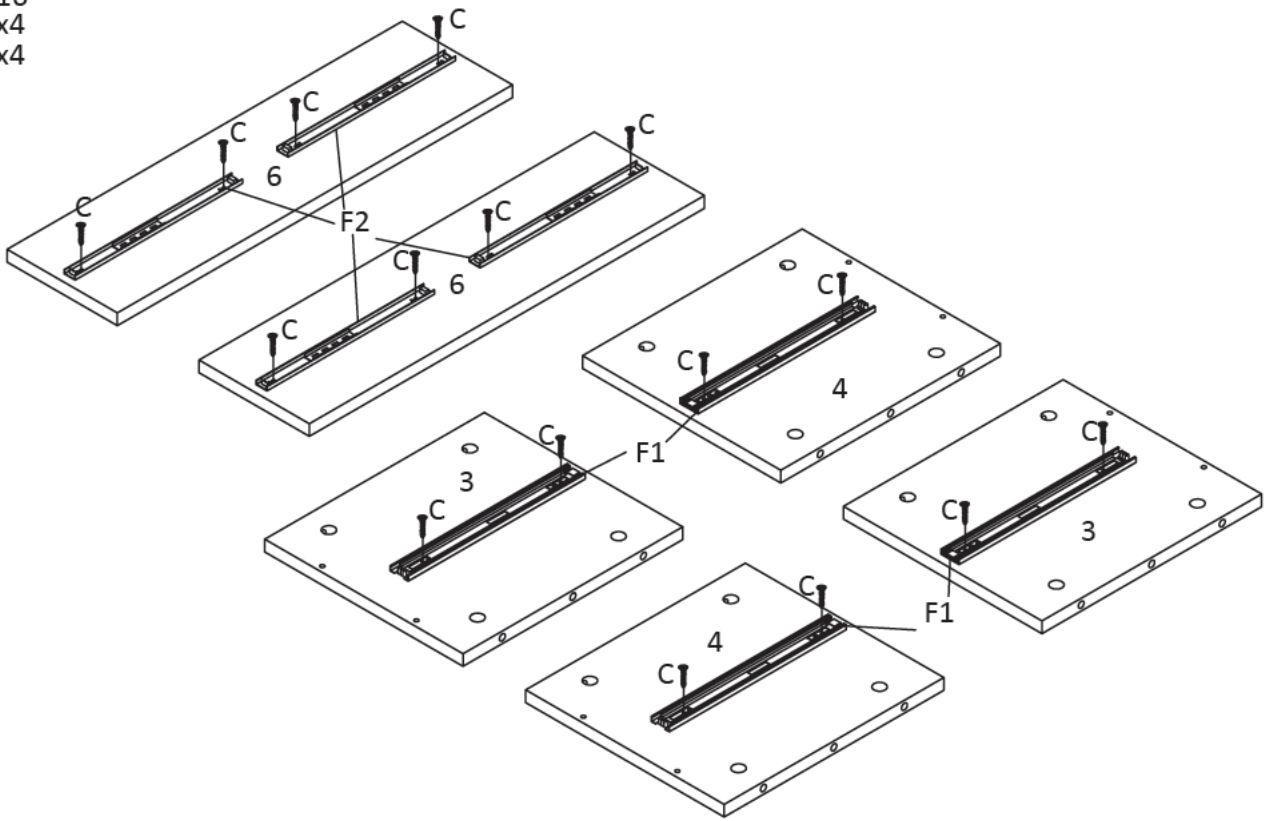
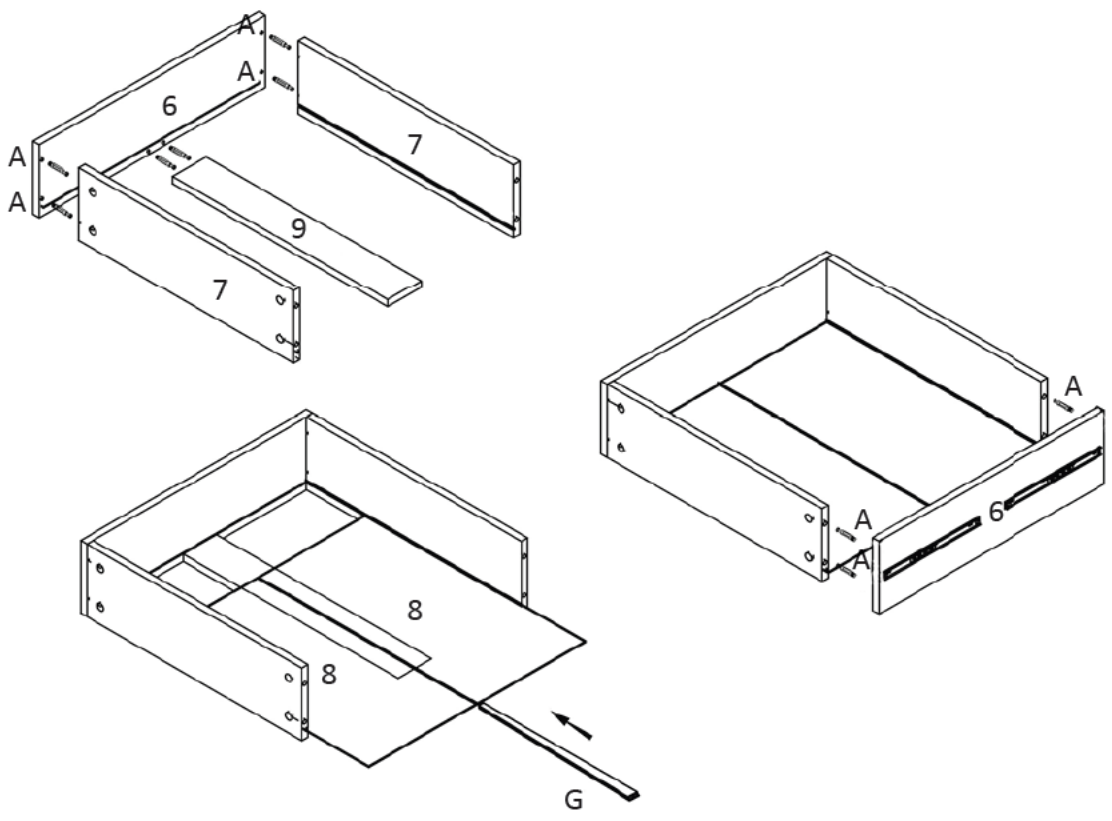
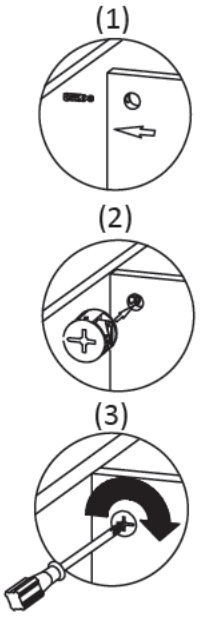


|                                                                                                 |                                                                                                                                   |                                                                                                                                          |                                                                                                  |
|-------------------------------------------------------------------------------------------------|-----------------------------------------------------------------------------------------------------------------------------------|------------------------------------------------------------------------------------------------------------------------------------------|--------------------------------------------------------------------------------------------------|
| <p>Ax44</p>  | <p>Bx12</p>                                    | <p>Cx32</p>  <p>M3.5x<math>\frac{14}{0.5}</math></p> | <p>Dx4</p>  |
| <p>Ex4</p>   | <p>Fx2</p>  <p>F1                      F2</p> | <p>Gx1</p>                                          |                                                                                                  |

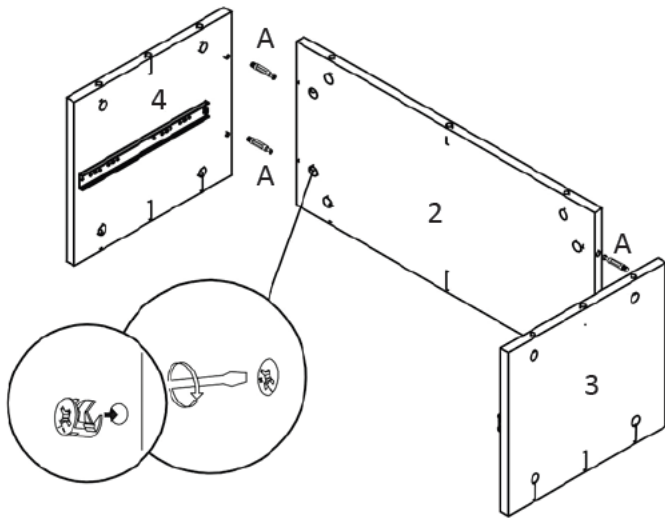
**1** Cx16  
F1x4  
F2x4



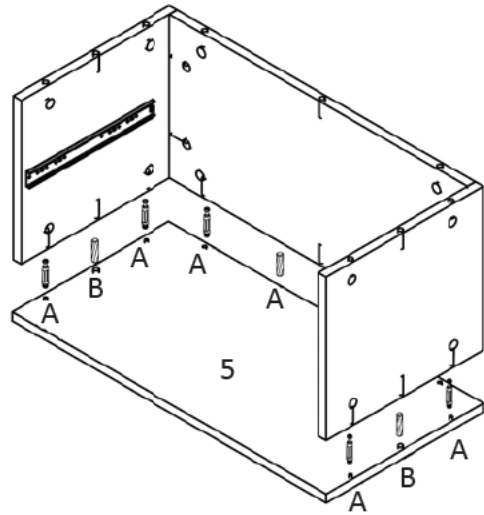
**2** Ax12  
Gx1



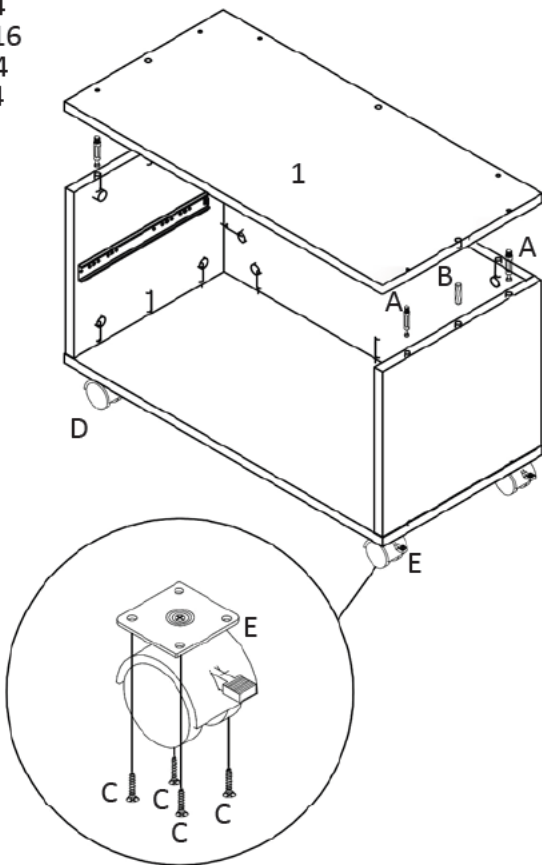
3 x2  
Ax8



4 x2  
Ax12  
Bx4



5 x2  
Ax12  
Bx4  
Cx16  
Dx4  
Ex4



6

