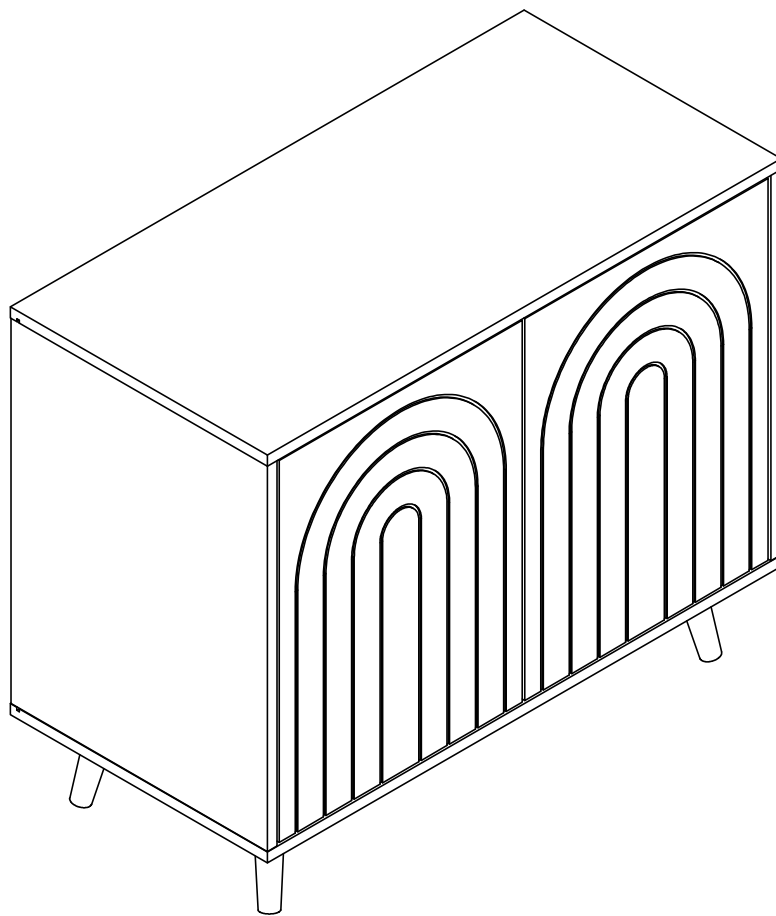


Installation Instruction



Assembling

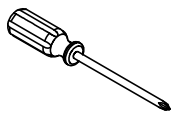
Estimated time for assembly



45 : 00

What you need

- Use the packaging carton as a working surface to prevent product damage during assembly
- Phillips head screwdriver



Weight Limitation

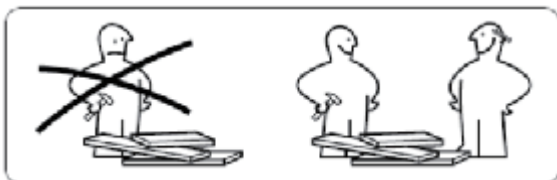


100

lbs table top

| 35

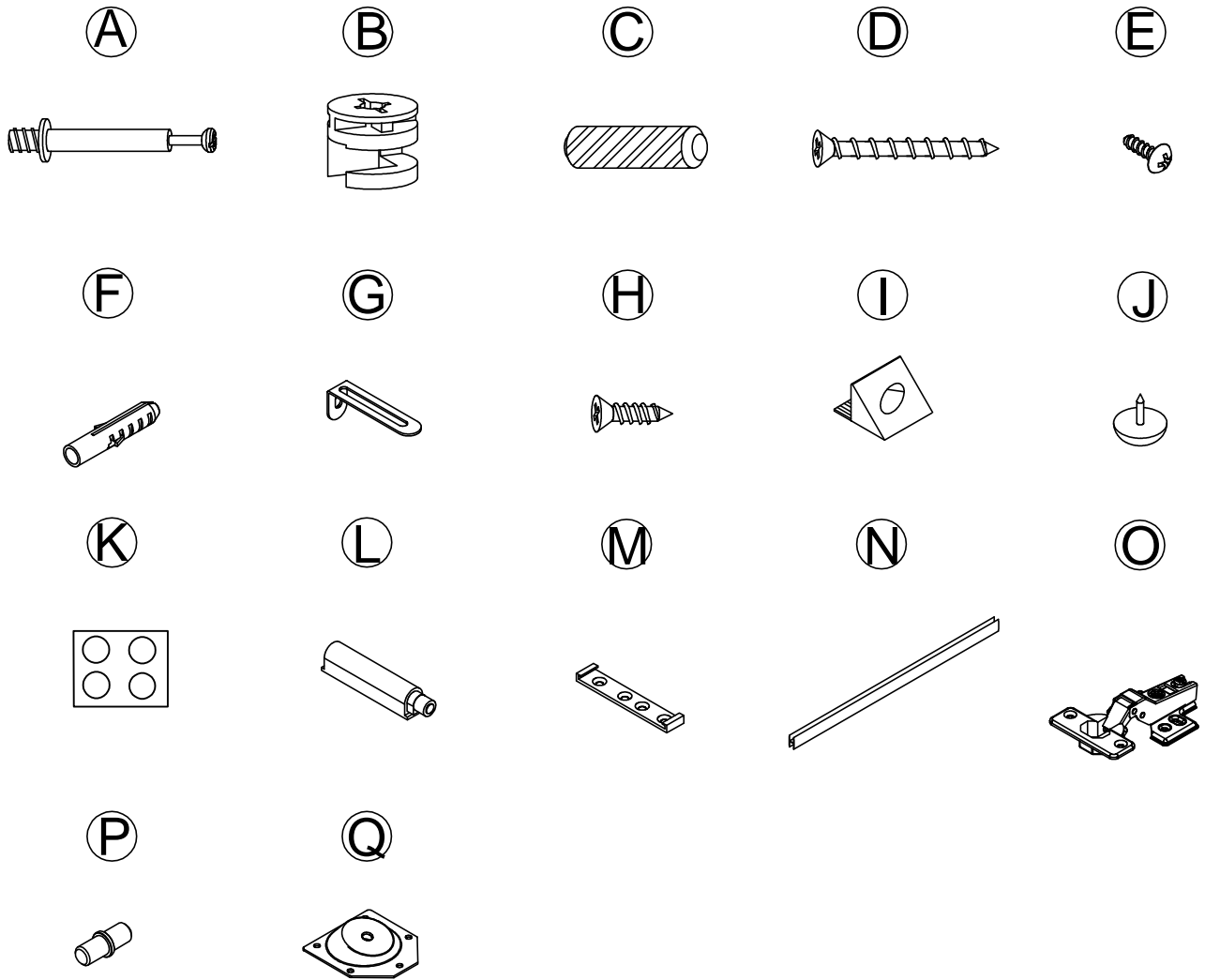
lbs per



What' included

Code	Description	Qty
A	Cam Bolt M6X35MM	4
B	Cam Lock 15X12MM	4
C	Wooden Dowel M8X30MM	8
D	Screw M4X40MM	6
E	Screw M3.5X14MM	22
F	Anchor	2
G	L-shaped metal sheet	2
H	Screw M3.0X14MM	36
I	The back button	8
J	Foot nail	4
K	Circular hole Decals	4
L	Door Rebound Device	2
M	Door Rebound Device Holder	2
N	Backboard slot	1
O	Hinge	4
P	Shelf Holder	4
Q	Five hole iron sheet	4

The Hardware



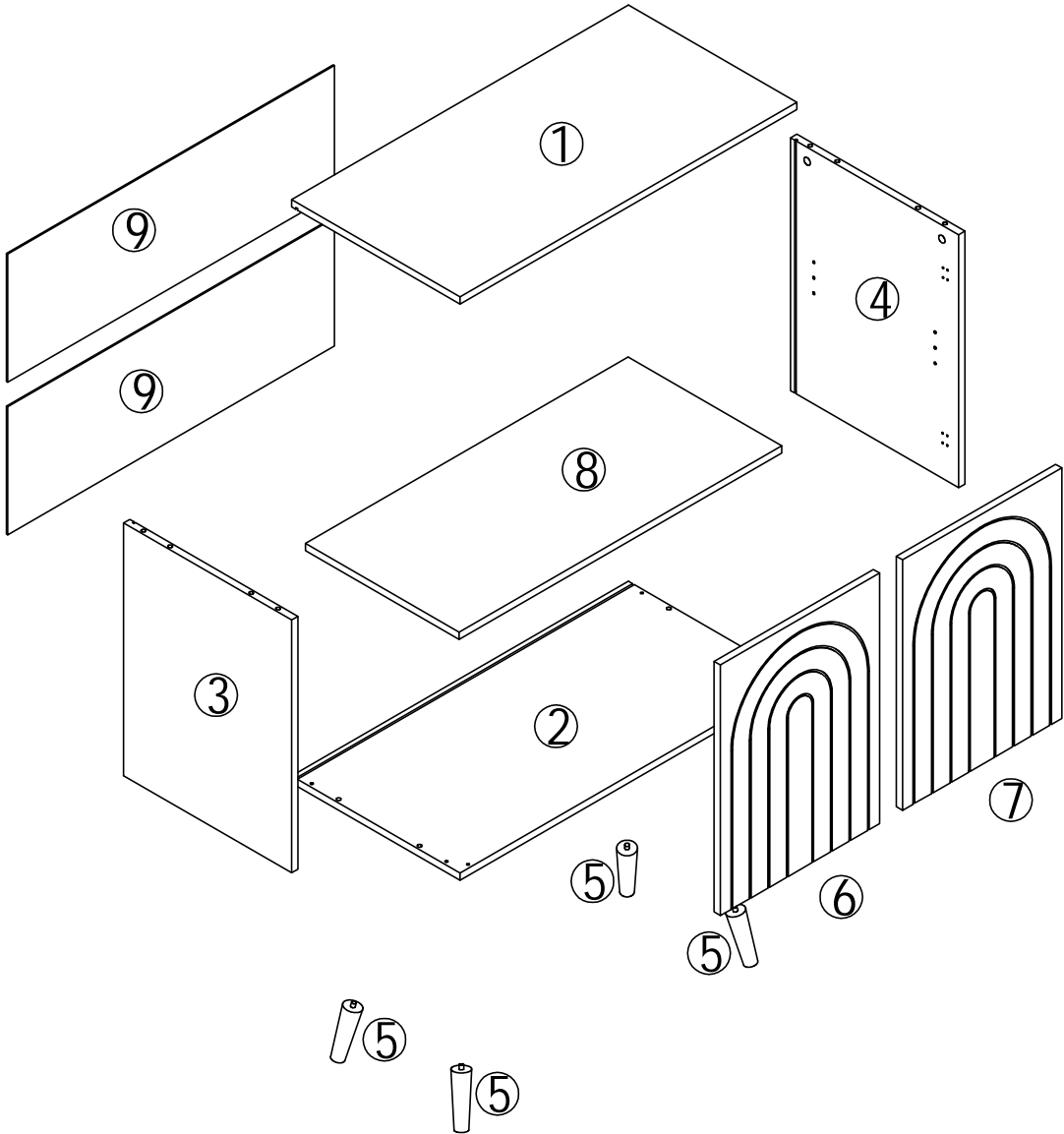
IMPORTANT:

1. Do not tighten bolts / screws completely until all bolts / screws are lined up and inserted into holes.
2. Do not over tighten screws and bolts to avoid stripping
3. Please use hand tools to assemble this product. Do not use power tools.

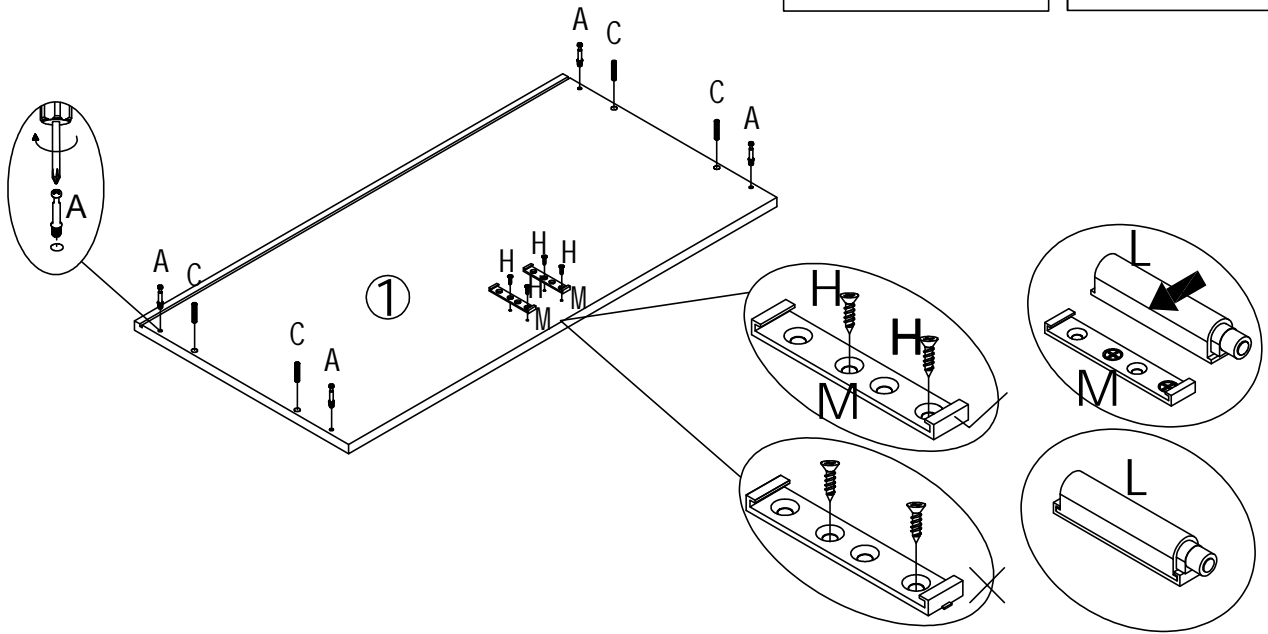
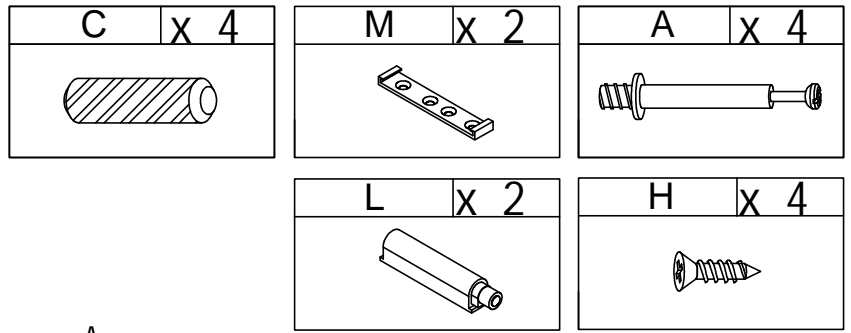
Included Accessories

Code	Description	Qty
1	Cabinet Top	1
2	Bottom Panel	1
3	Left Side Panel	1
4	Right Side Panel	1
5	Supporting foot	4
6	Left cabinet door	1
7	Right cabinet door	1
8	Movable laminated plate	1
9	Backboard	2

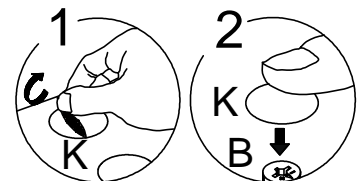
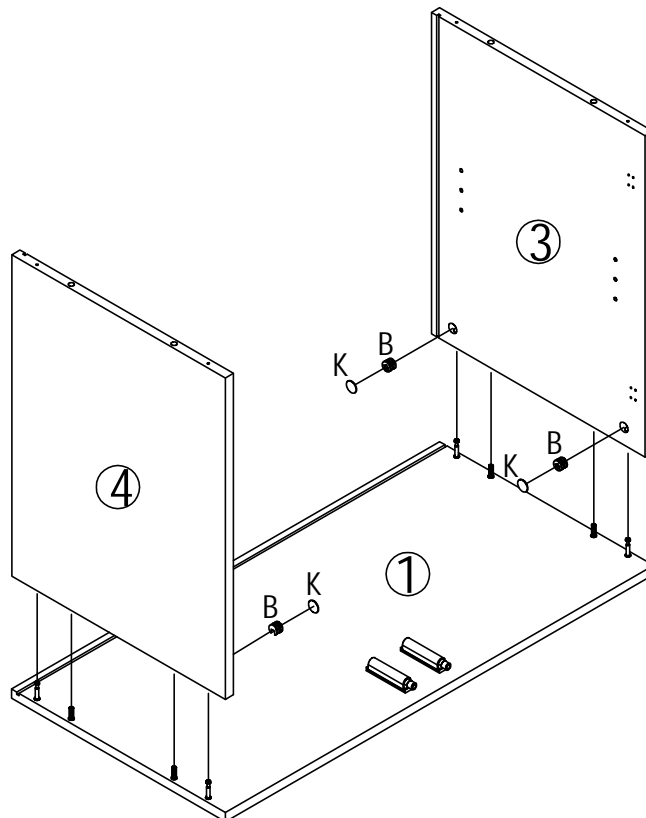
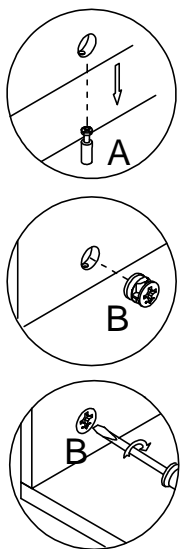
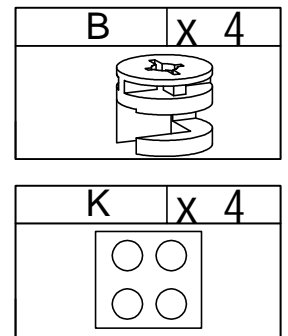
The Accessoriss



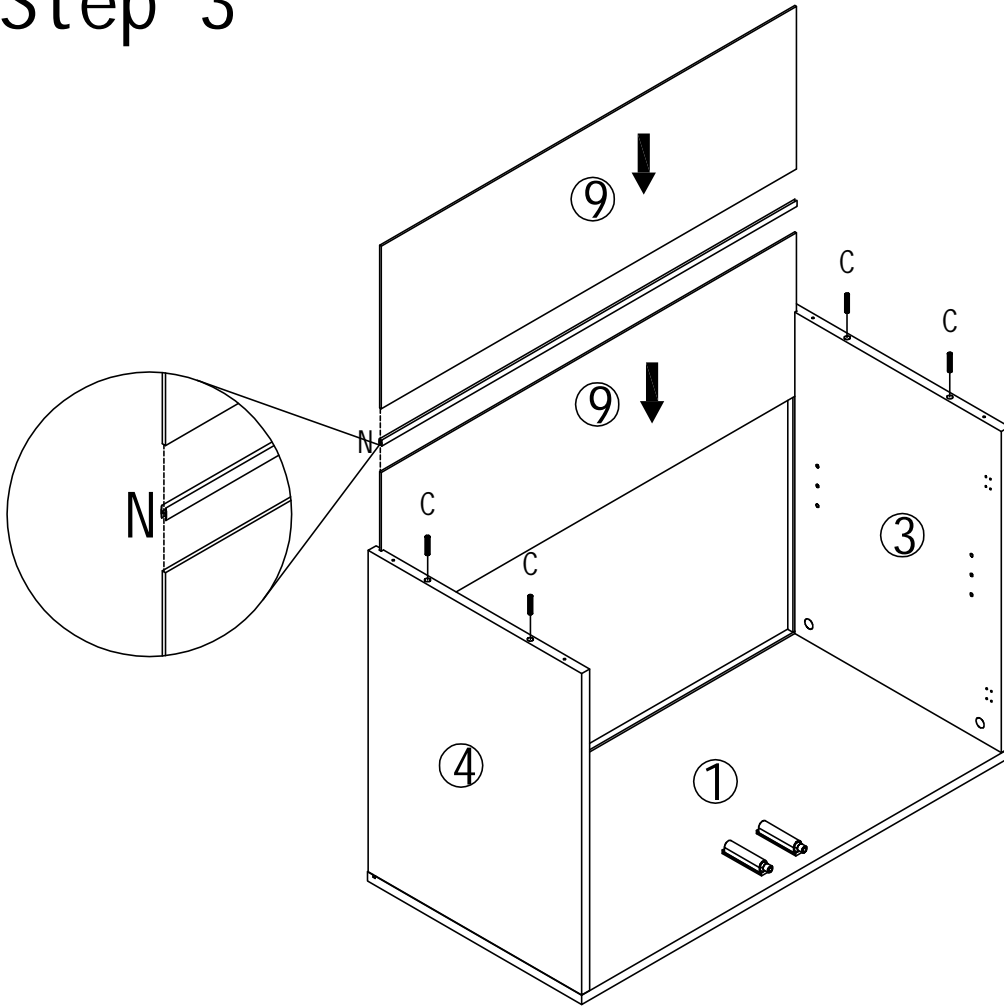
Step 1

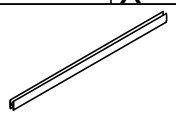


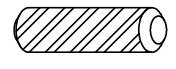
Step 2



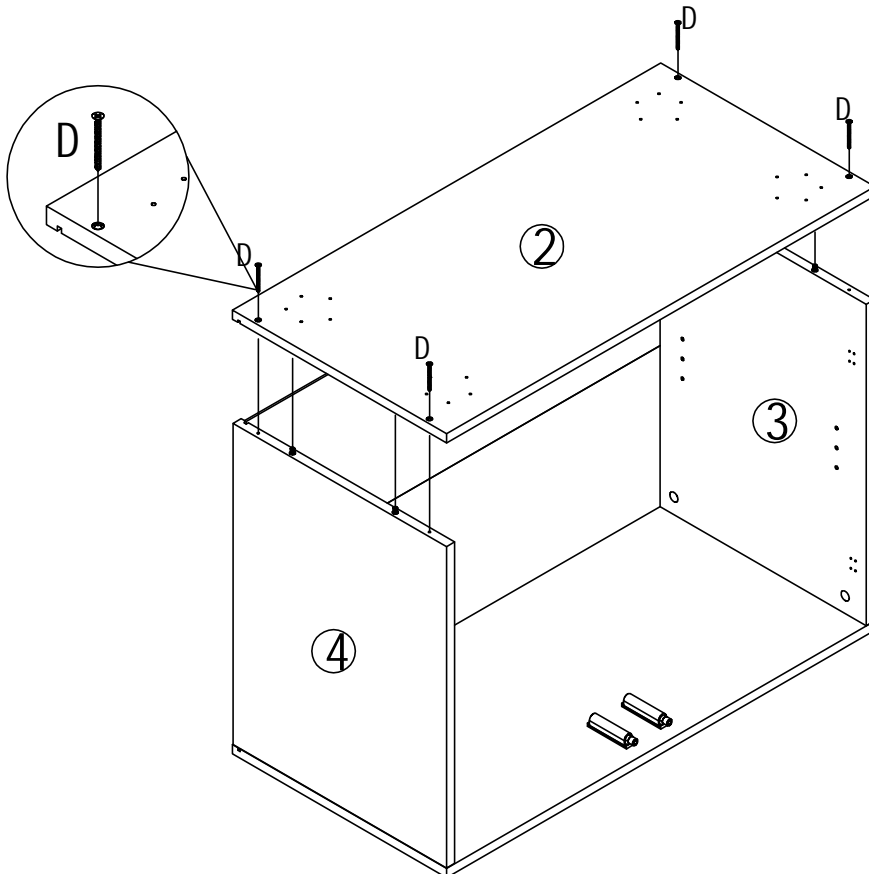
Step 3

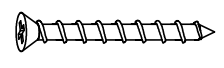


N	x 1
	


C	x 4
	


Step 4

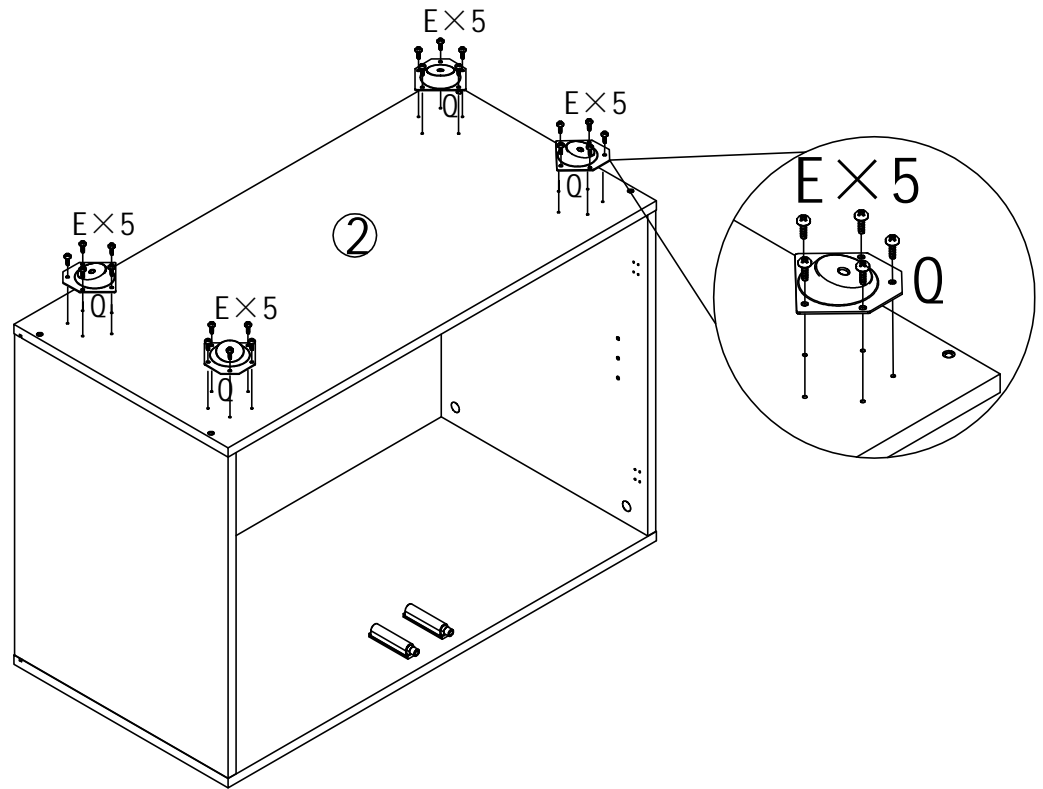


D	x 4
	


Step 5

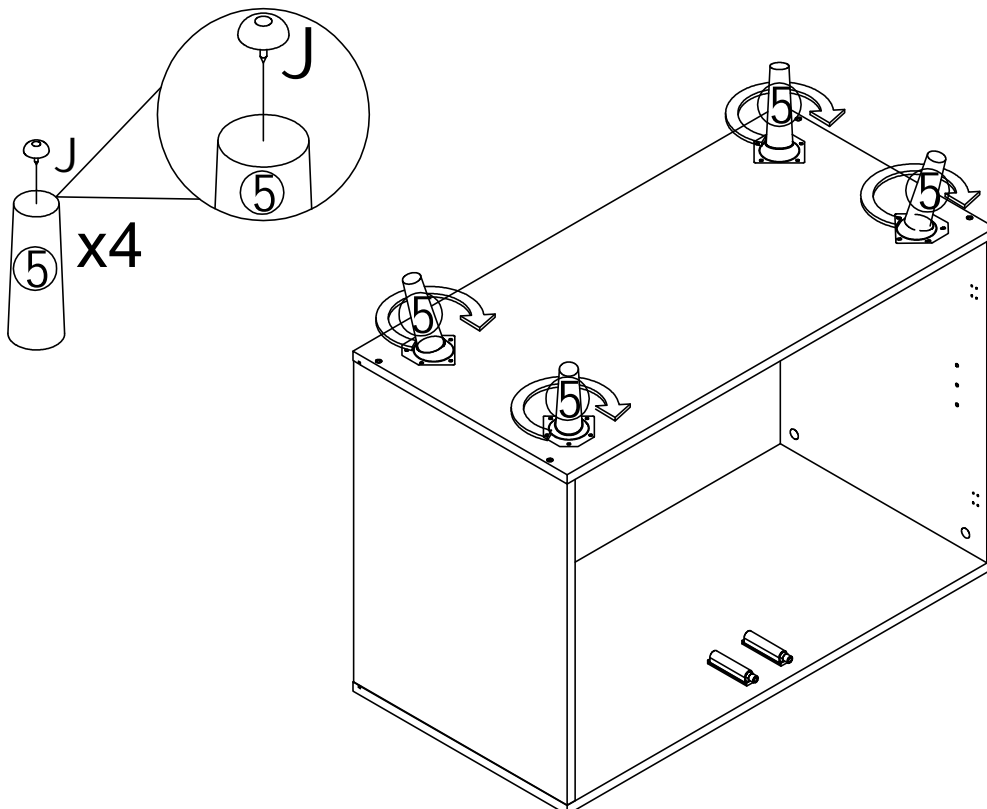
E	x 20
	

Q	x 4
	




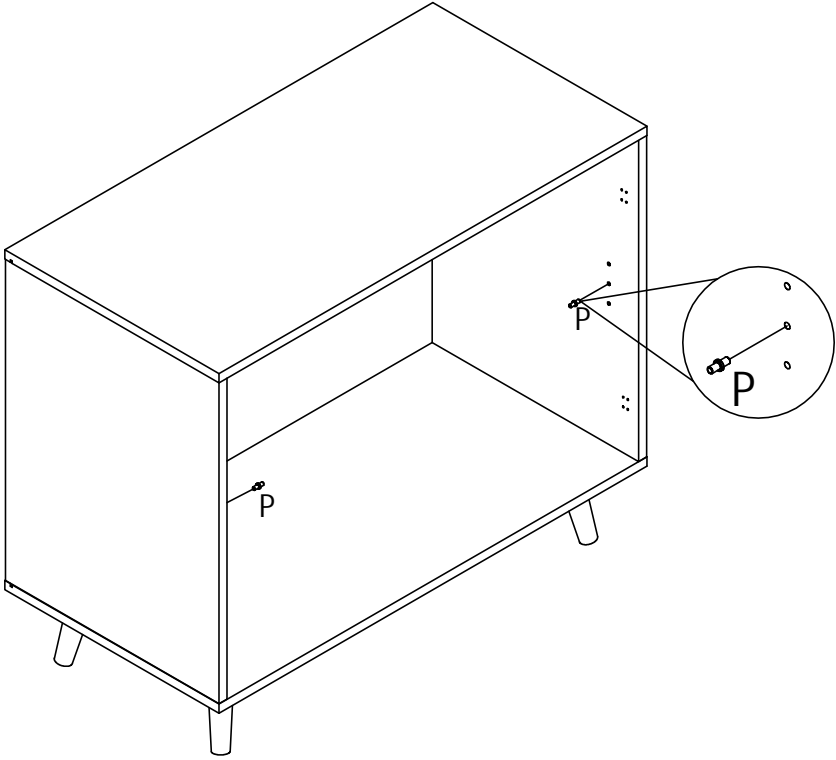
Step 6

J	x 4
	

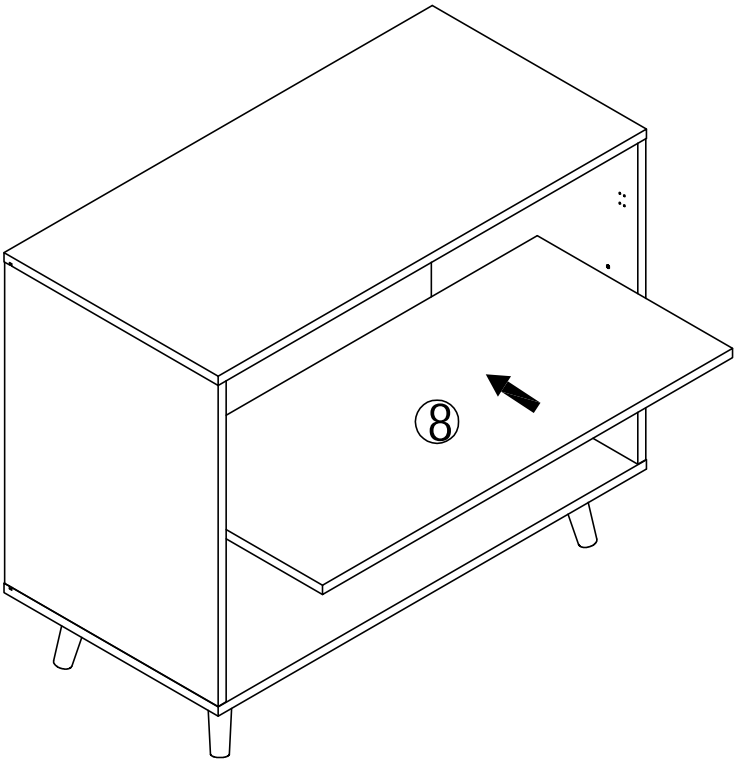


Step 7

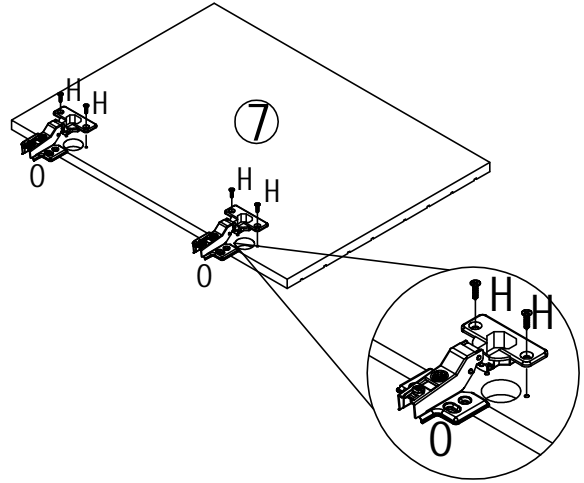
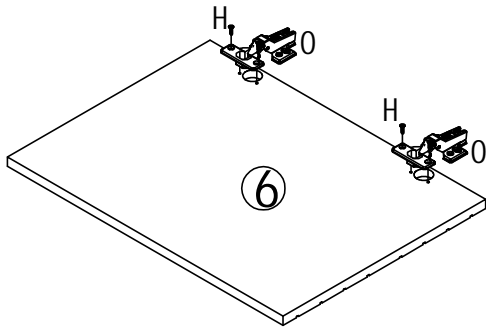
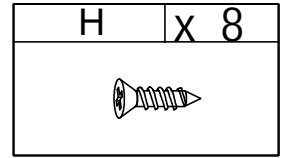
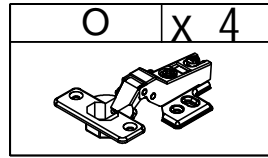
P	x 4
	



Step 8



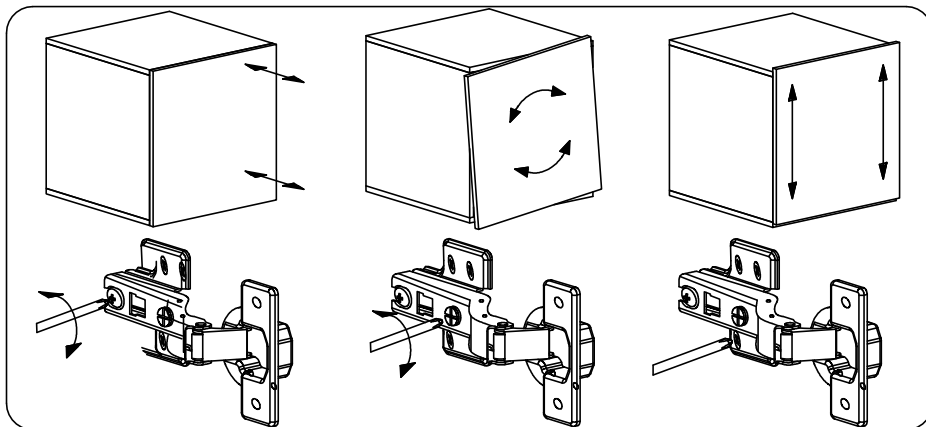
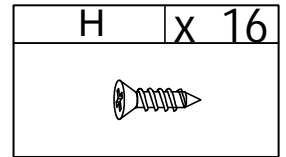
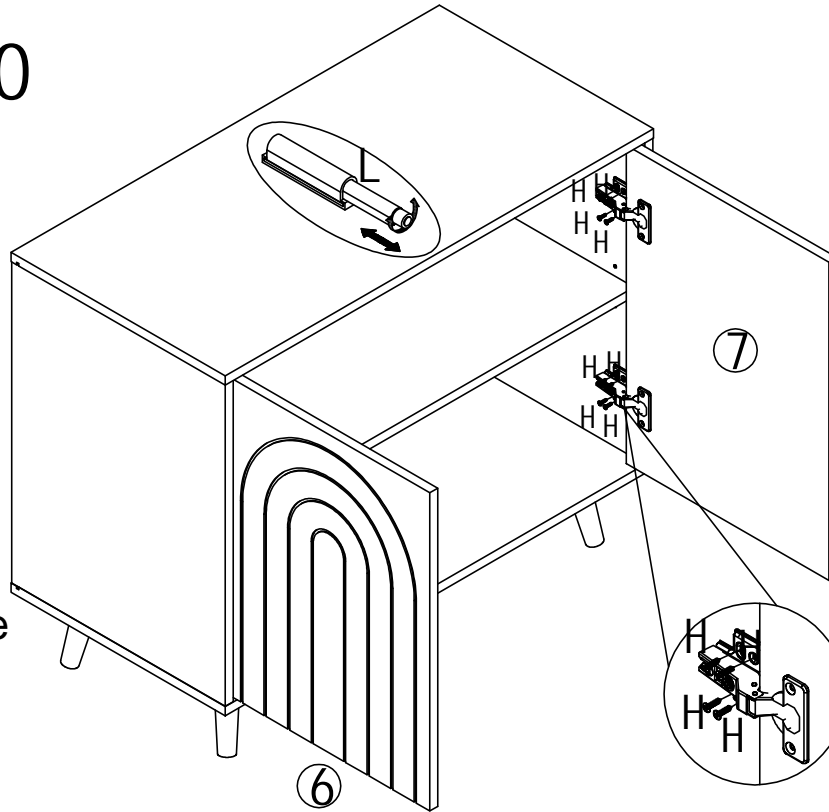
Step 9




Step 10

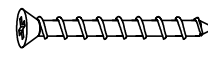



If the door does not pop out, the hardware L can be rotated according to the diagram



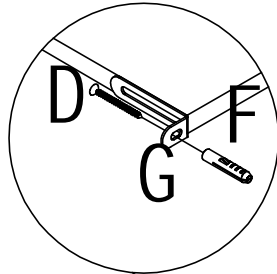
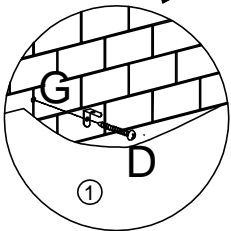
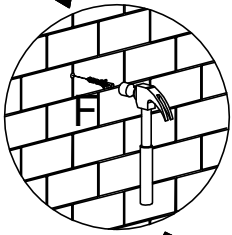
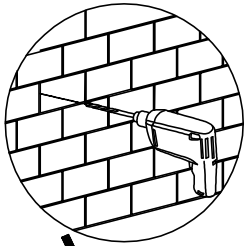
Step 11

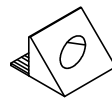
G	x 2
	


D	x 2
	

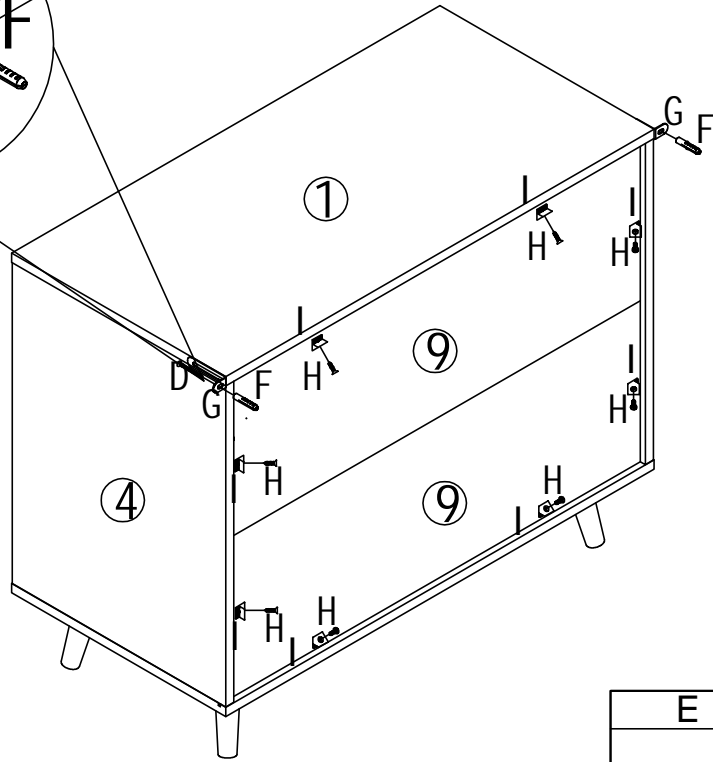
H	x 8
	

drill hole in wall




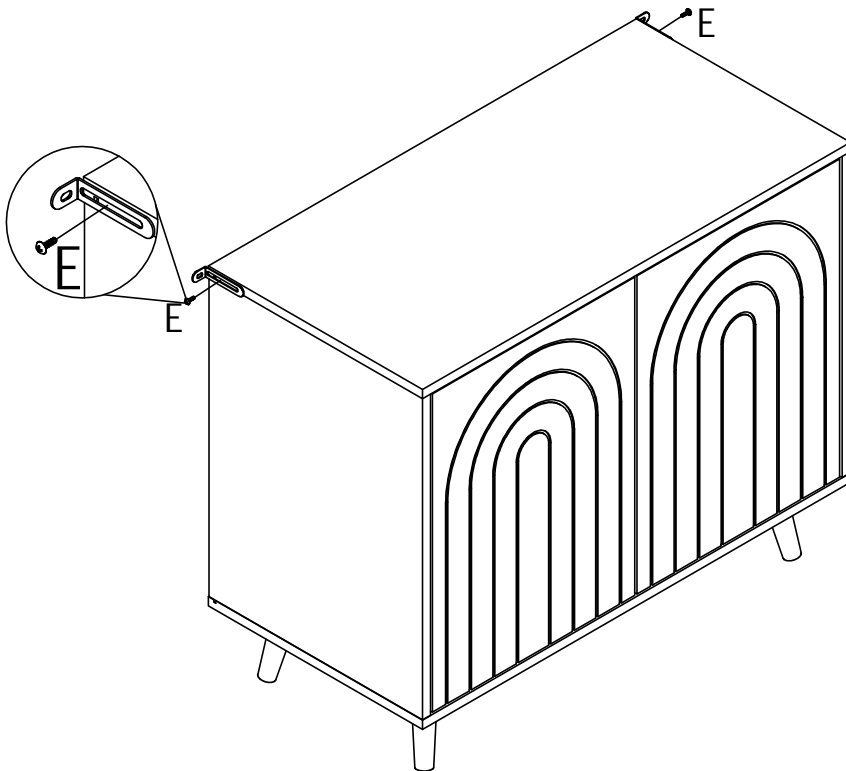
I	x 8
	

F	x 2
	

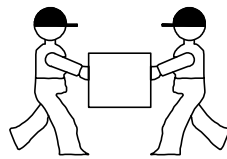
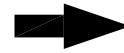
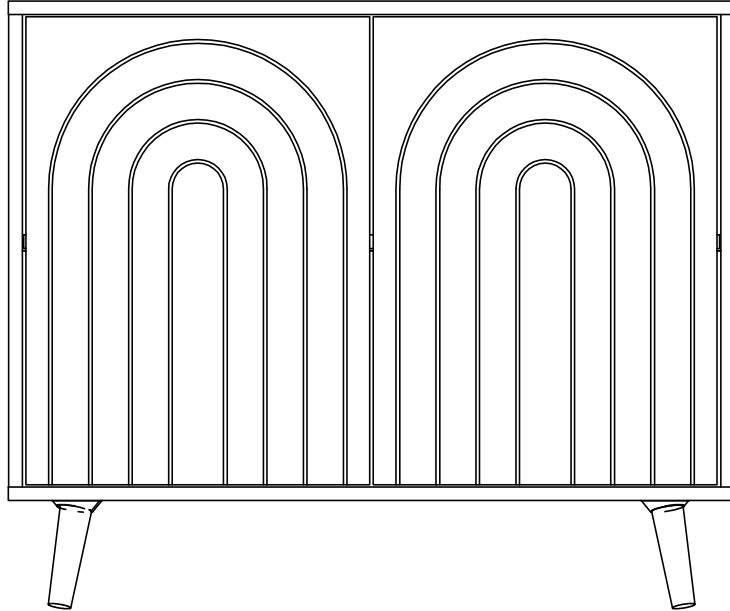


Step 12

E	x 2
	



Step 13



Two people work together to move the cabinet.
Make sure you lift it off the ground.
Don't push and pull.